



US00D919572S

(12) **United States Design Patent**
Lei et al.

(10) **Patent No.:** **US D919,572 S**
(45) **Date of Patent:** **** May 18, 2021**

(54) **STARTING POWER SUPPLY**

(71) Applicant: **SHENZHEN CARKU TECHNOLOGY CO., LIMITED,**
Guangdong (CN)

(72) Inventors: **Yun Lei,** Guangdong (CN); **Yidan Hu,**
Guangdong (CN); **Qun Wang,**
Guangdong (CN)

(73) Assignee: **SHENZHEN CARKU TECHNOLOGY CO., LIMITED,**
Shenzhen (CN)

(**) Term: **15 Years**

(21) Appl. No.: **29/733,256**

(22) Filed: **Apr. 30, 2020**

(30) **Foreign Application Priority Data**

Jan. 15, 2020 (CN) 202030028455.0

(51) **LOC (13) Cl.** **13-02**

(52) **U.S. Cl.**
USPC **D13/110**

(58) **Field of Classification Search**
USPC D13/110, 103, 107, 108, 118, 119, 123,
D13/137.1, 137.4, 138.1, 147, 162, 168,
D13/169, 174, 177, 184, 199; D14/240,
D14/242, 257, 356, 357, 432, 433, 438,
D14/480.1, 480.3

CPC H05K 5/00; H05K 5/02; H05K 5/0247;
H05K 7/00; H05K 7/20; H05K 7/20136;
H05K 7/20154; H05K 7/209; H02M 7/00;
H02M 7/003; H02M 2001/009; H02J
7/02; H02J 7/007; H02J 7/0026; H02J
7/0042; H02J 7/0044; H02J 7/0045; H02J
7/0047; H02J 7/0052; Y10T 307/367;
Y02E 60/12; Y02E 60/50; H01M 2/02;

H01M 2/025; H01M 2/0207; H01M
2/0212; H01M 10/44; H01R 13/60; H01R
13/72; H01R 13/6658; H01R 25/003;
H01R 25/006; G06F 3/023; G06F 3/038;
G06F 3/0626; G06F 3/0658; G06F
9/4413

See application file for complete search history.

(56) **References Cited**

U.S. PATENT DOCUMENTS

5,019,767 A *	5/1991	Shirai	H01M 50/213 320/112
D511,743 S *	11/2005	Hriscu	D13/107
D662,053 S *	6/2012	Inskeep	D13/110
D711,819 S *	8/2014	To	D13/108
D823,800 S *	7/2018	Inskeep	D13/110
D896,749 S *	9/2020	Wu	D13/107
D902,851 S *	11/2020	Wu	D13/107
2016/0359352 A1 *	12/2016	Chiu	F02N 11/12

* cited by examiner

Primary Examiner — Derrick E Holland

(74) *Attorney, Agent, or Firm* — Hauptman Ham, LLP

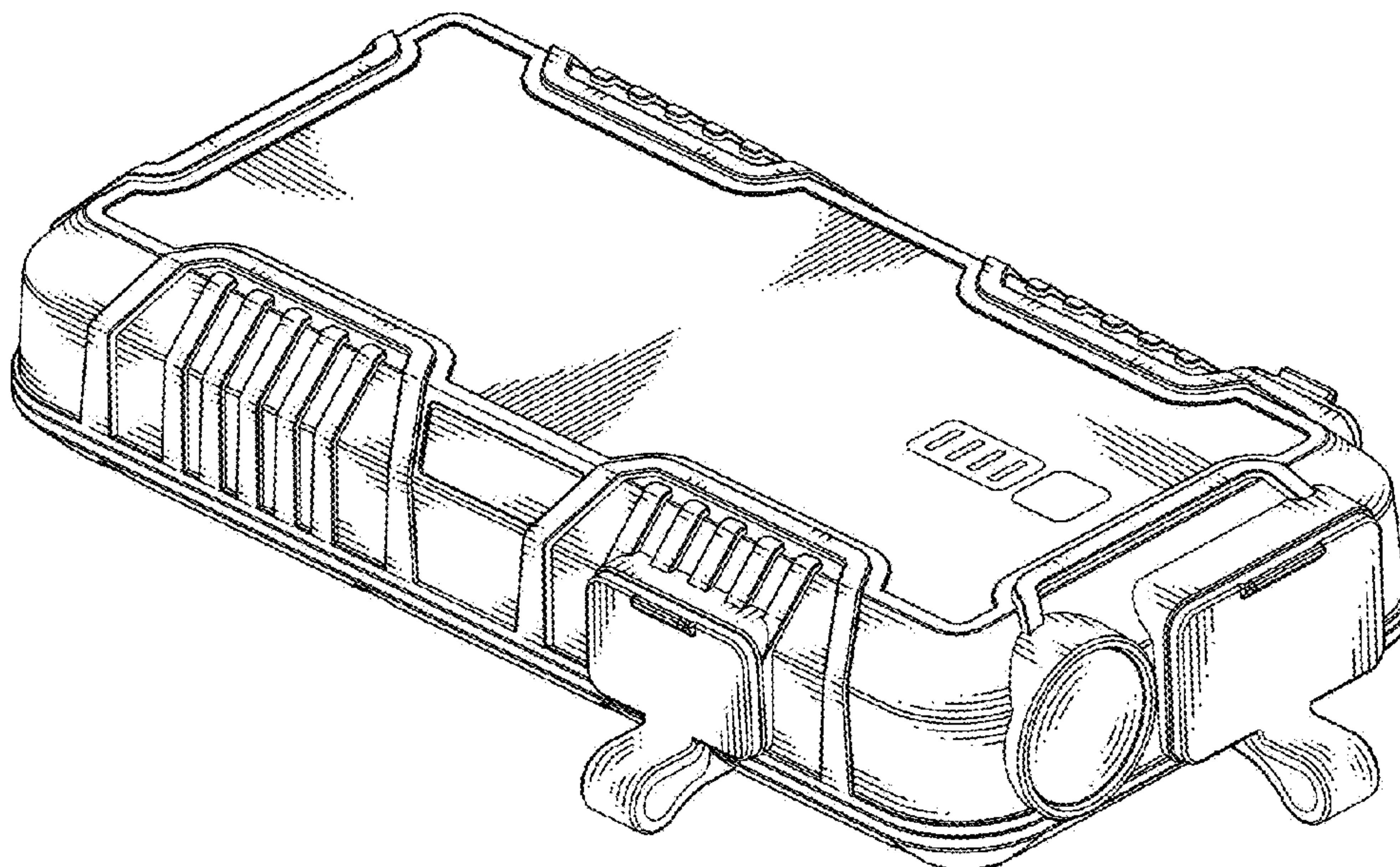
(57) **CLAIM**

The ornamental design for a starting power supply, as shown.

DESCRIPTION

FIG. 1 is a front view of a starting power supply in accordance with our new design;
FIG. 2 is a rear view thereof;
FIG. 3 is a left side view thereof;
FIG. 4 is a right side view thereof;
FIG. 5 is a top plan view thereof;
FIG. 6 is a bottom plan view thereof; and,
FIG. 7 is a front, top, and right side perspective view thereof.

1 Claim, 7 Drawing Sheets



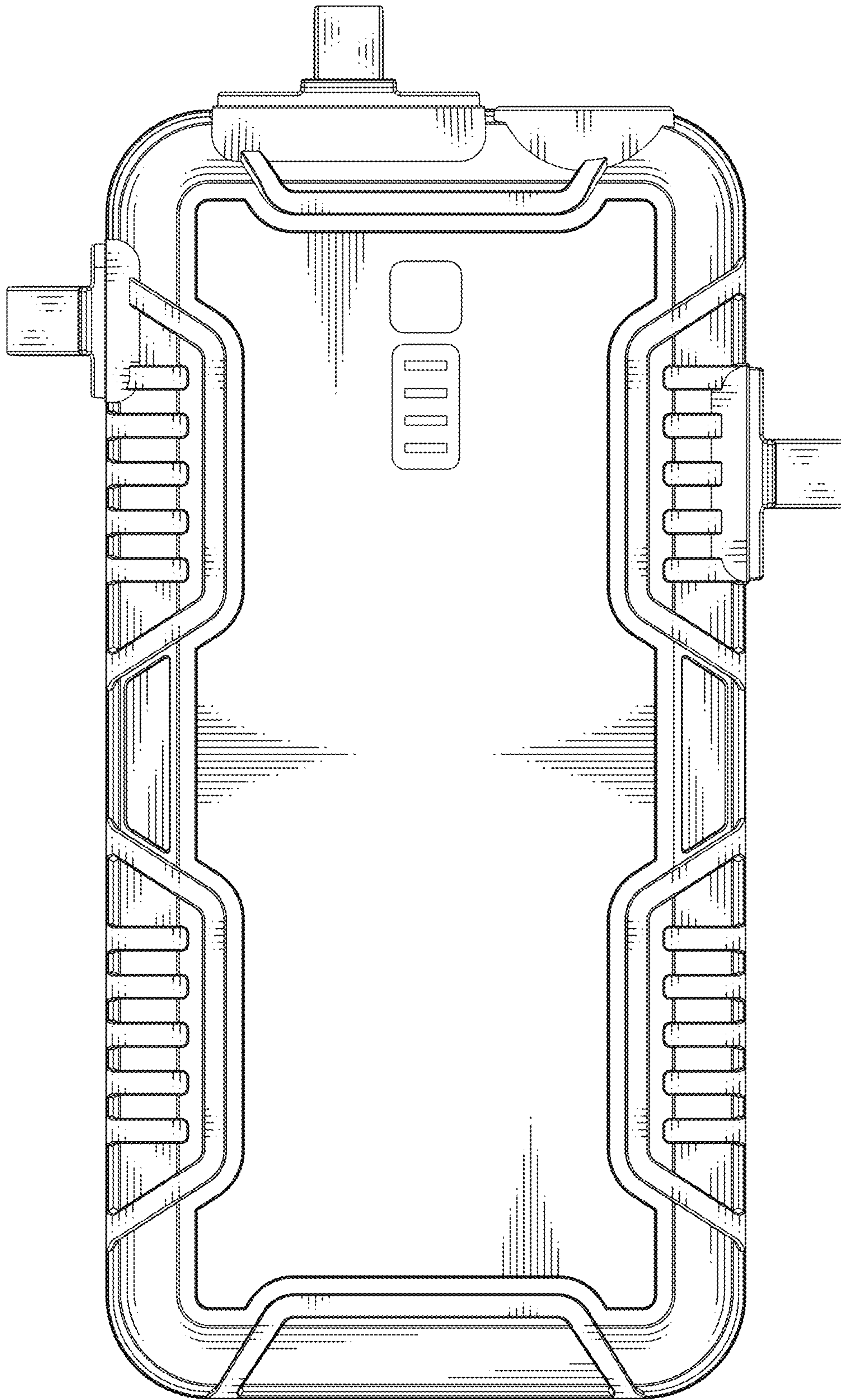


Fig. 1

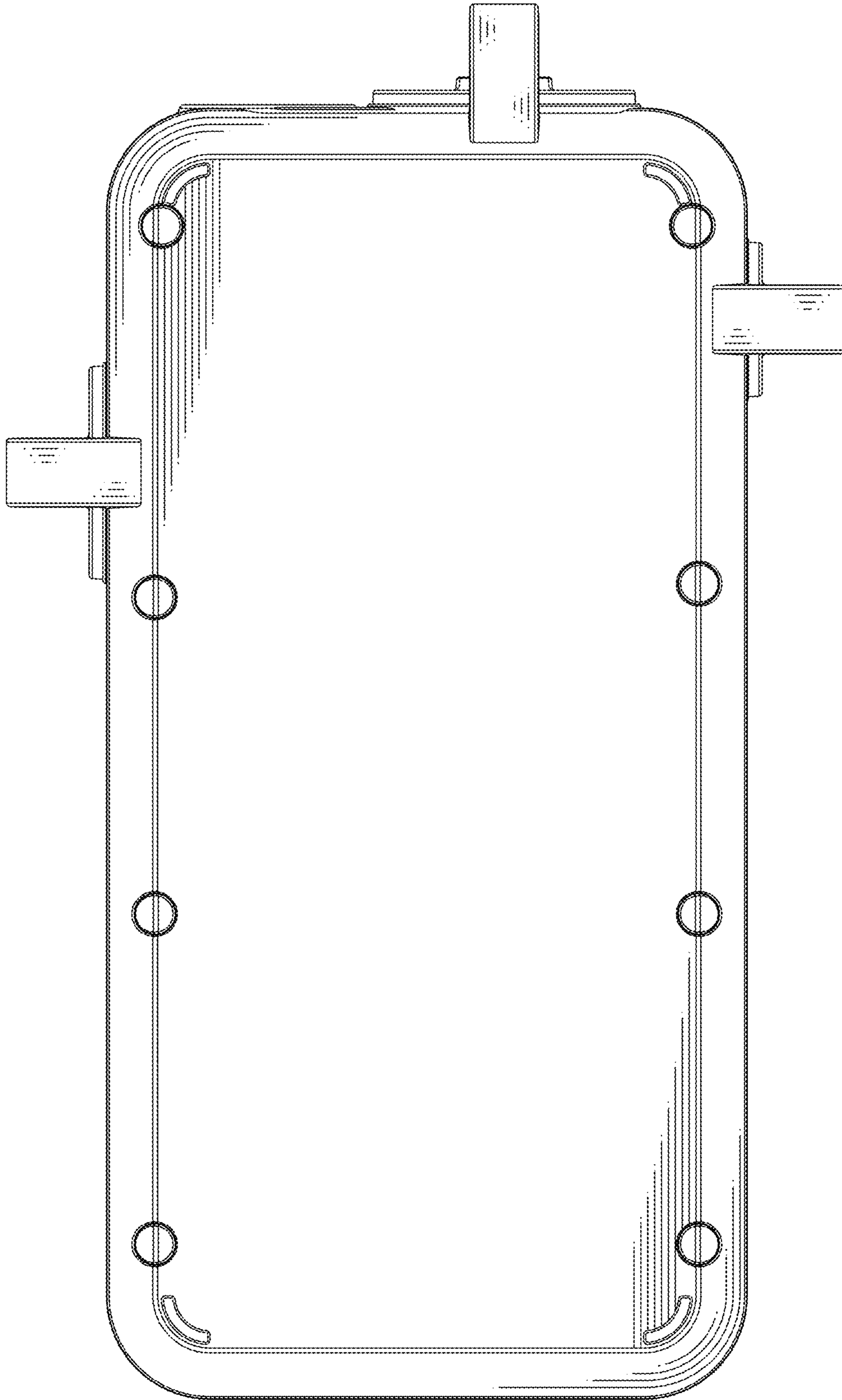


Fig. 2

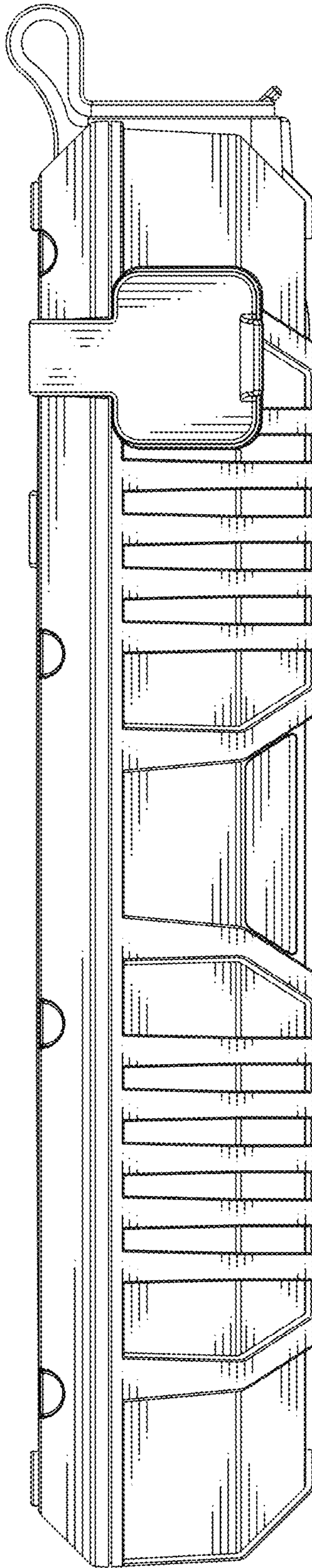


Fig. 3

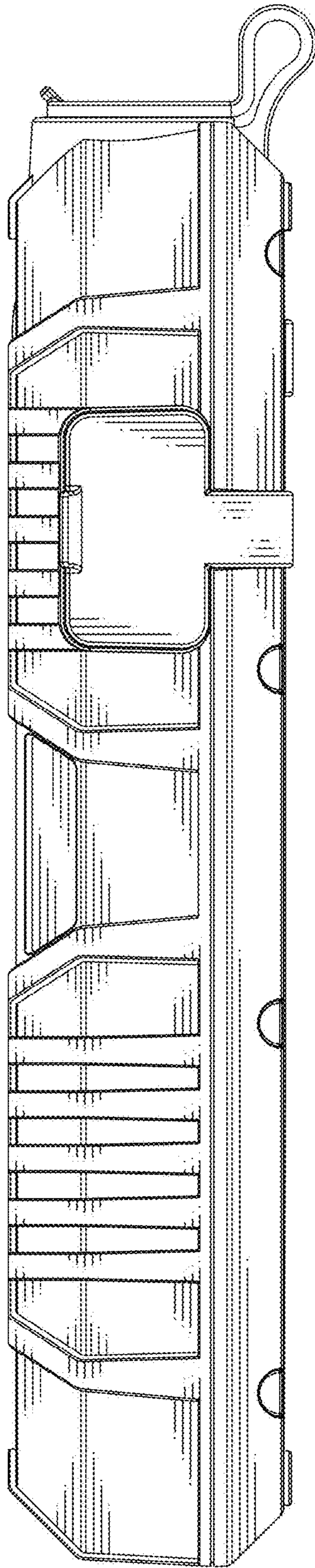


Fig. 4

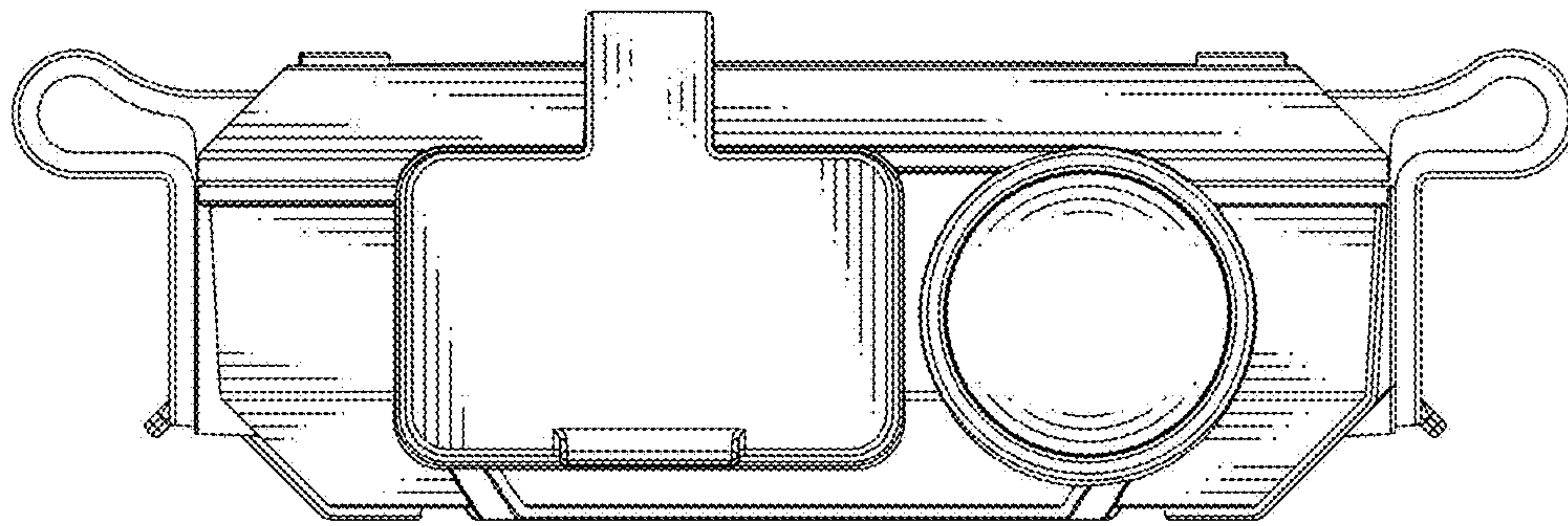


Fig. 5

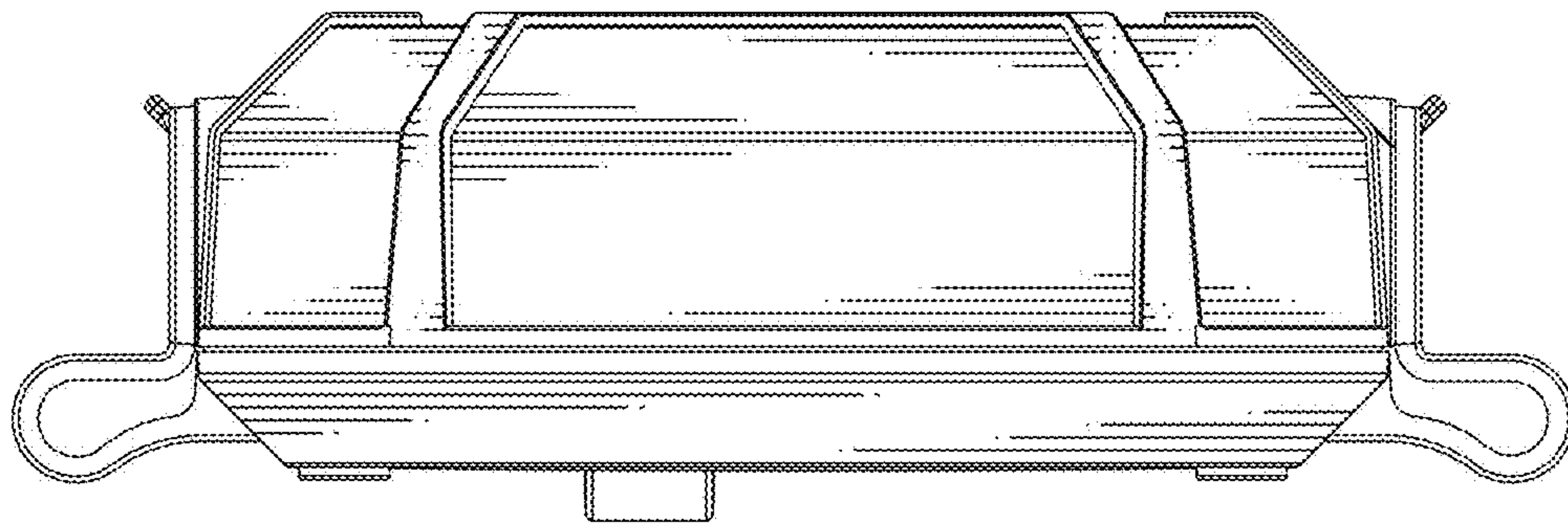


Fig. 6

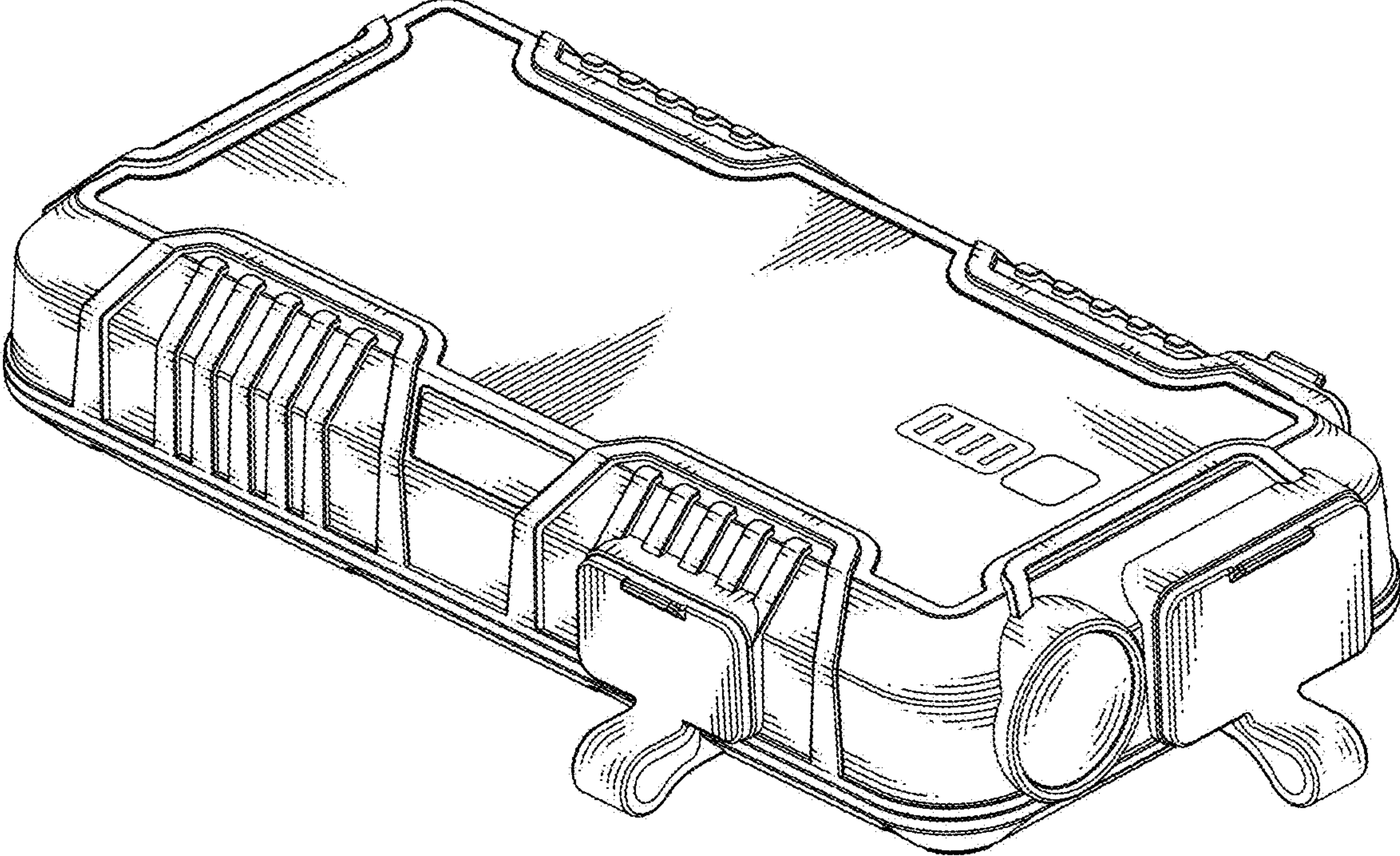


Fig. 7