



US00D919571S

(12) **United States Design Patent** (10) **Patent No.:** **US D919,571 S**  
**Yan et al.** (45) **Date of Patent:** **\*\* May 18, 2021**

(54) **UNINTERRUPTIBLE POWER SYSTEM**

OTHER PUBLICATIONS

(71) Applicant: **Eaton Intelligent Power Limited**,  
Dublin (IE)

Eaton FERRUPS UPS FE Series 60 Hz, Eaton Electrical Sector,  
2014, 2 pages.

(Continued)

(72) Inventors: **Jun Yan**, Cary, NC (US); **Benjamin Hannigan**, Pittsburgh, PA (US)

*Primary Examiner* — Derrick E Holland

(73) Assignee: **Eaton Intelligent Power Limited**,  
Dublin (IE)

(74) *Attorney, Agent, or Firm* — Stanek Lemon Crouse &  
Meeks, PA

(\*\*) Term: **15 Years**

(57) **CLAIM**

(21) Appl. No.: **29/729,872**

The ornamental design for an uninterruptible power system,  
as shown and described.

(22) Filed: **Mar. 31, 2020**

(51) **LOC (13) Cl.** ..... **13-02**

(52) **U.S. Cl.**  
USPC ..... **D13/110**

**DESCRIPTION**

(58) **Field of Classification Search**  
USPC ..... D13/110, 103, 107, 108, 118, 119, 123,  
D13/133, 137.1, 184, 199; D14/240, 251,  
D14/356, 432, 433, 434  
CPC ..... G06F 1/181; G06F 1/188; G06F 1/189;  
H02M 7/00; H02M 7/02; H02M 7/003;  
H02K 5/00; H02K 5/0017; H02K 7/00  
See application file for complete search history.

FIG. 1 is a front perspective view of an uninterruptible power system showing our design;  
FIG. 2 is a front view thereof;  
FIG. 3 is a rear view thereof;  
FIG. 4 is a side view thereof;  
FIG. 5 is a side view thereof, opposite that shown in FIG. 4;  
FIG. 6 is a top view of the uninterruptible power system;  
FIG. 7 is a bottom view thereof;  
FIG. 8 is a front perspective view of another embodiment of the uninterruptible power system showing our design;  
FIG. 9 is a front view thereof;  
FIG. 10 is a rear view thereof;  
FIG. 11 is a side view thereof;  
FIG. 12 is a side view thereof, opposite that shown in FIG. 11;  
FIG. 13 is a top view of the uninterruptible power system;  
and,  
FIG. 14 is a bottom view thereof.  
The broken lines in the drawings illustrate portions of the uninterruptible power system that form no part of the claimed design.

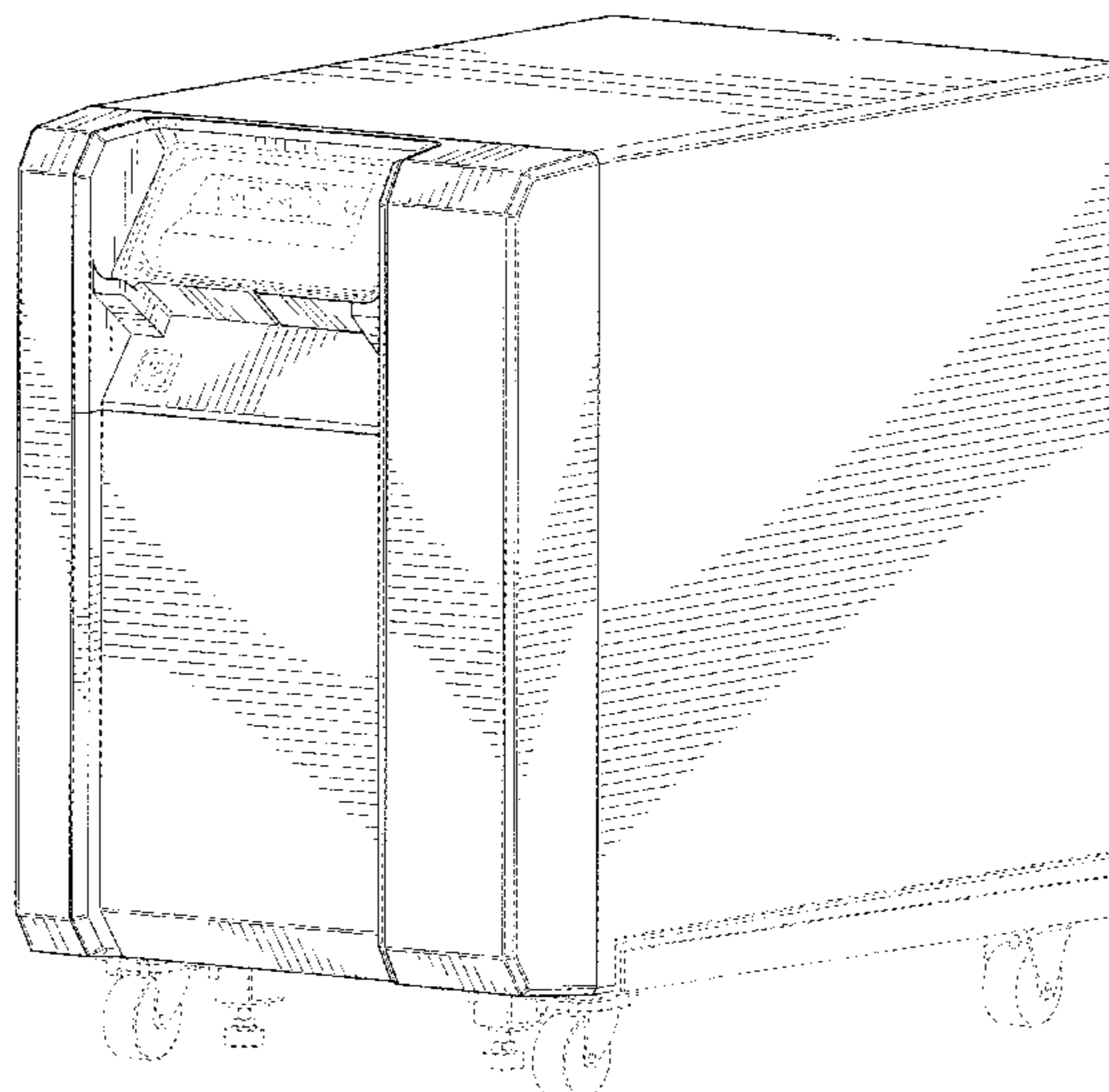
(56) **References Cited**

U.S. PATENT DOCUMENTS

D346,148 S *	4/1994	Chen	.....	D13/110
5,424,588 A *	6/1995	Cantor	.....	G01R 1/203 307/154
D456,006 S *	4/2002	Maher	.....	D13/110
D470,103 S *	2/2003	Nishida	.....	D13/116
D530,276 S *	10/2006	Albano	.....	D13/110
D541,216 S *	4/2007	Albano	.....	D13/110
D551,620 S *	9/2007	McClelland, II	.....	D13/110
D601,956 S *	10/2009	Liu	.....	D13/110
D612,803 S *	3/2010	Du	.....	D13/110
D770,975 S *	11/2016	Nada	.....	D13/110
D802,530 S *	11/2017	Adams	.....	D13/109

(Continued)

**1 Claim, 14 Drawing Sheets**



(56)

**References Cited**

U.S. PATENT DOCUMENTS

D844,561 S \* 4/2019 Gou ..... D13/110

OTHER PUBLICATIONS

FERRUPS Shipboard SEACOTS UPCS, Eaton Corporation, Product Brochure, 2012, 4 pages.

Eaton FERRUPS FE Series 50 Hz, Eaton Electrical Sector, 2014, 2 pages.

Eaton FERRUPS Rackmount 60 Hz, Eaton Corporation, 2011, 2 pages.

\* cited by examiner

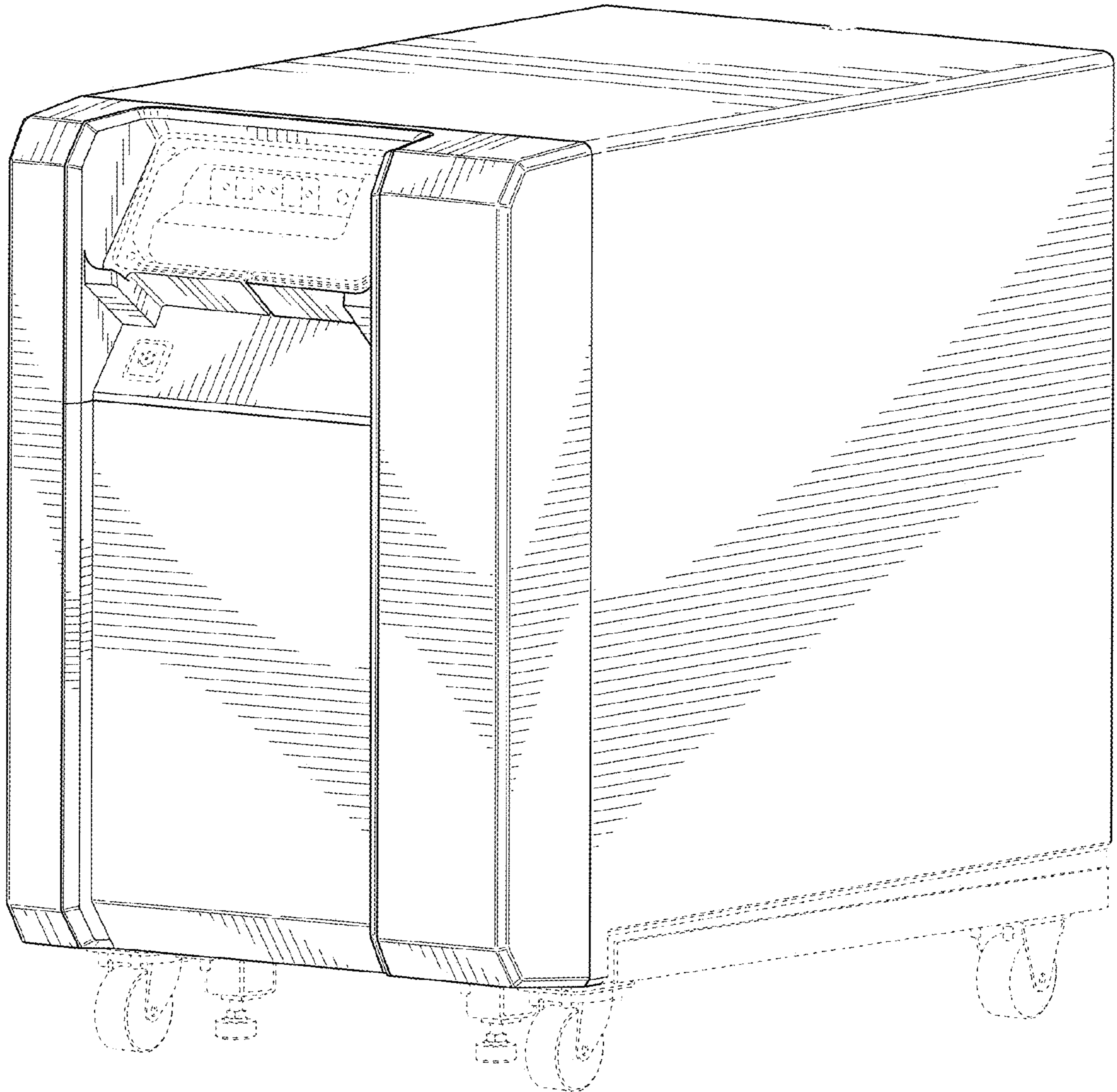


FIG. 1

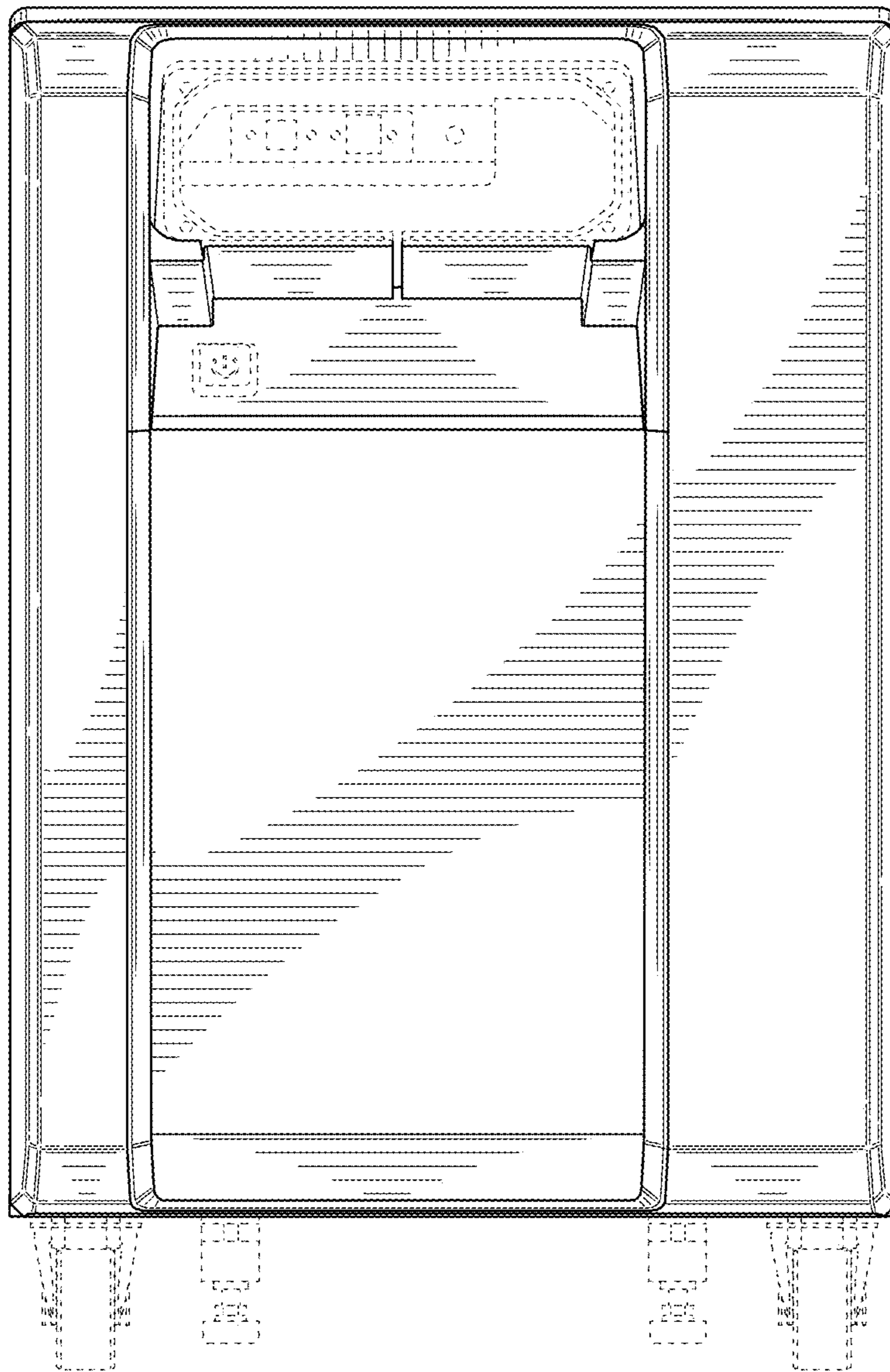


FIG. 2

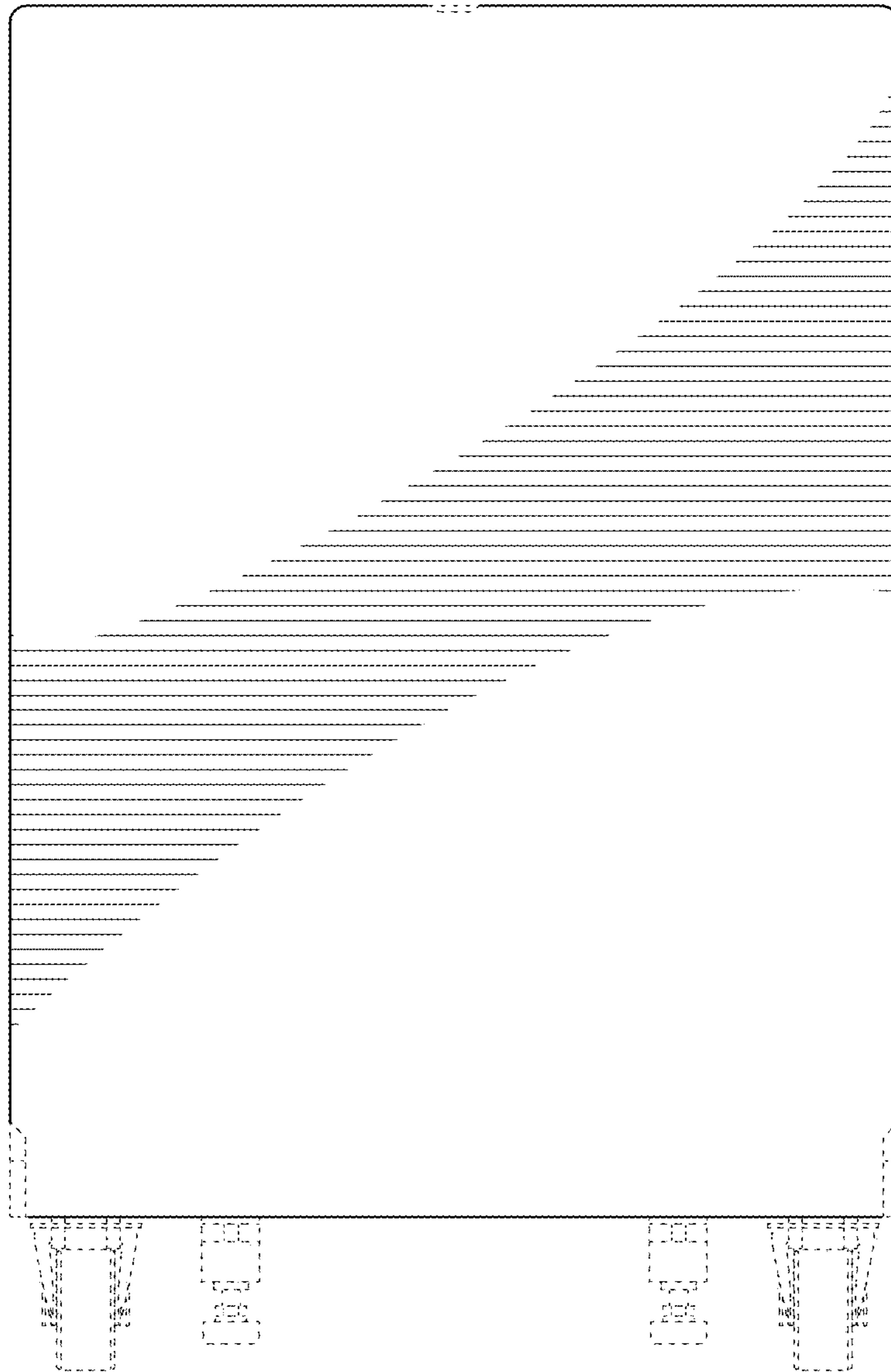


FIG. 3



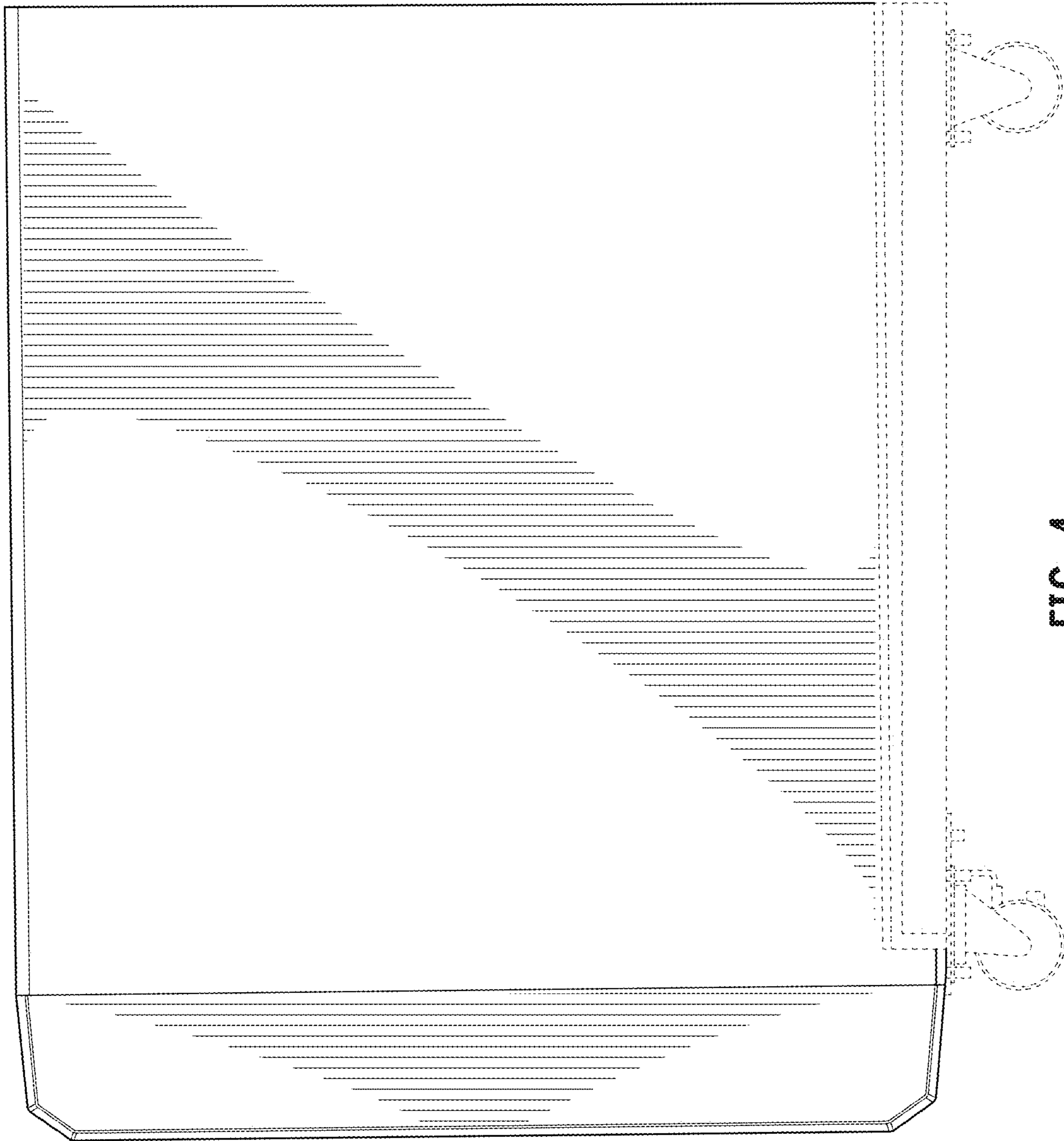


FIG. 4



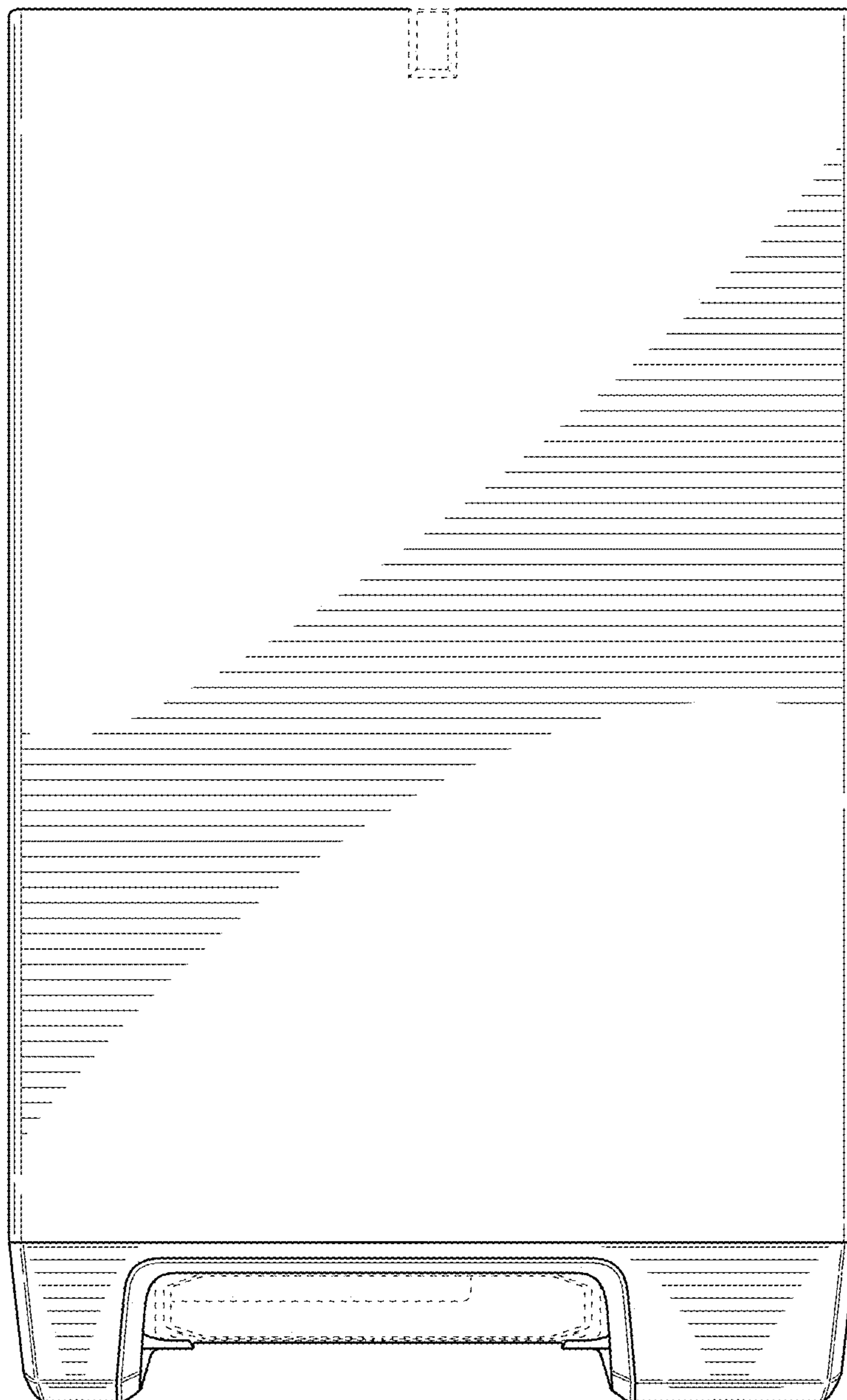


FIG. 6



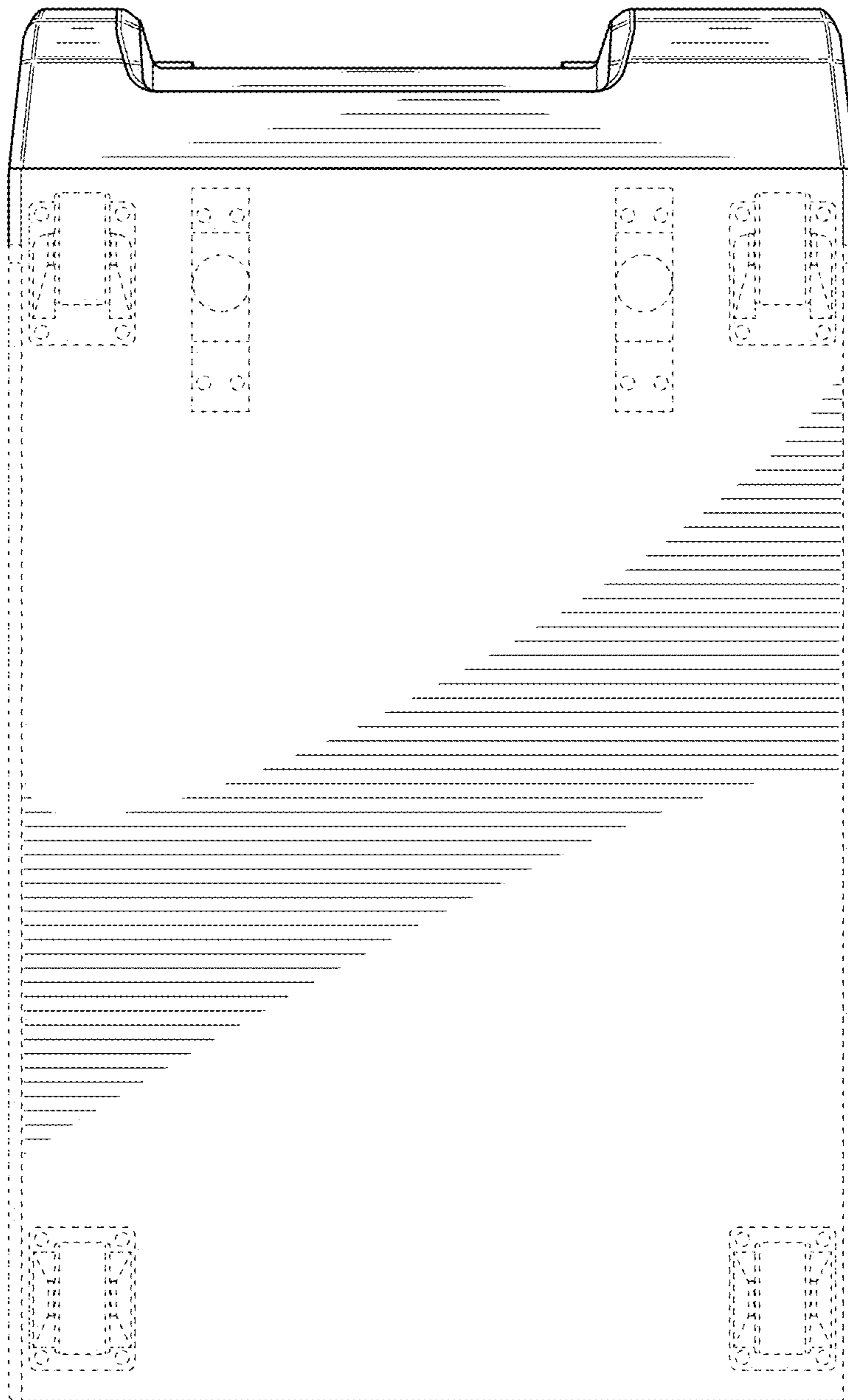


FIG. 7

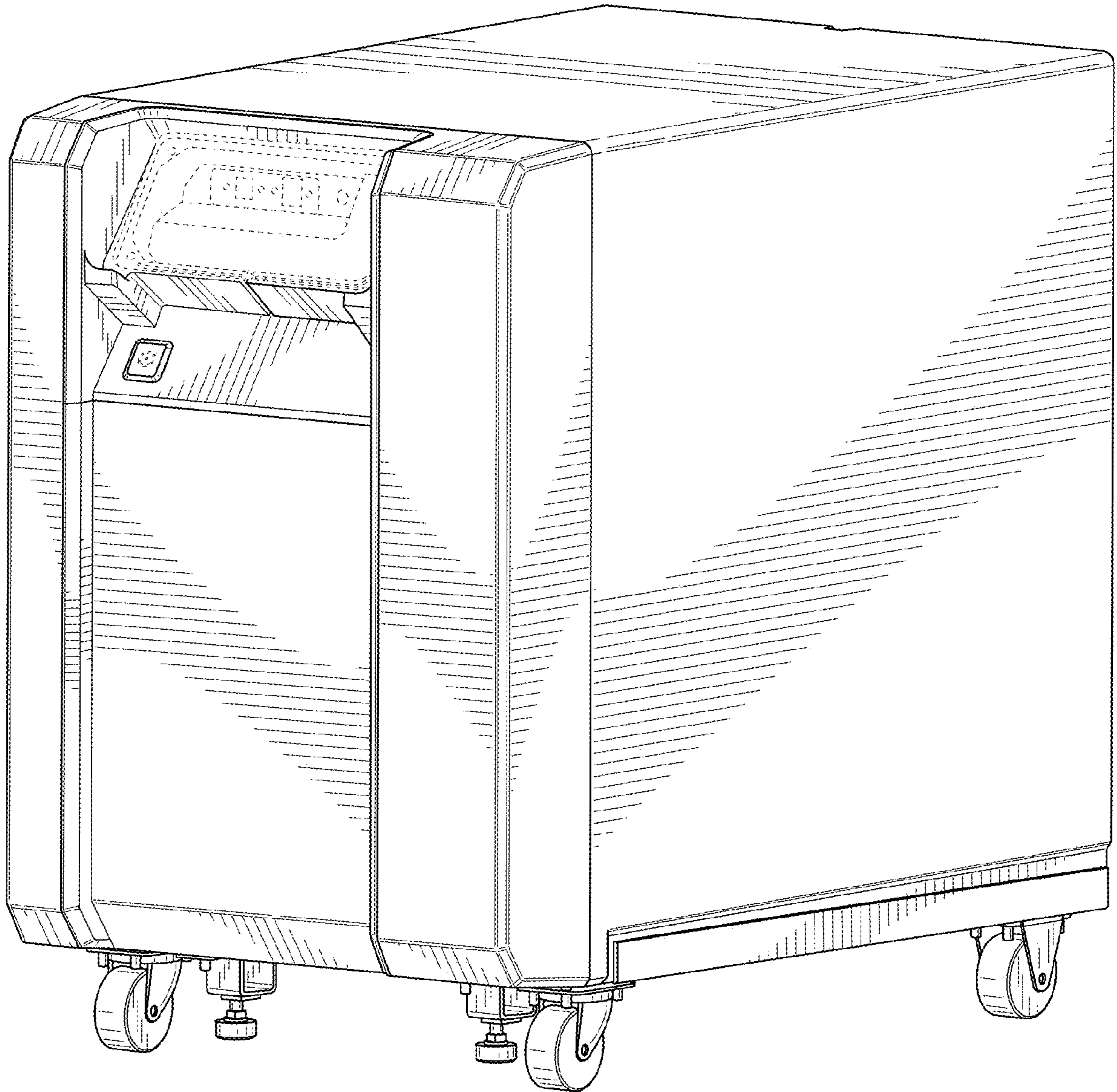


FIG. 8

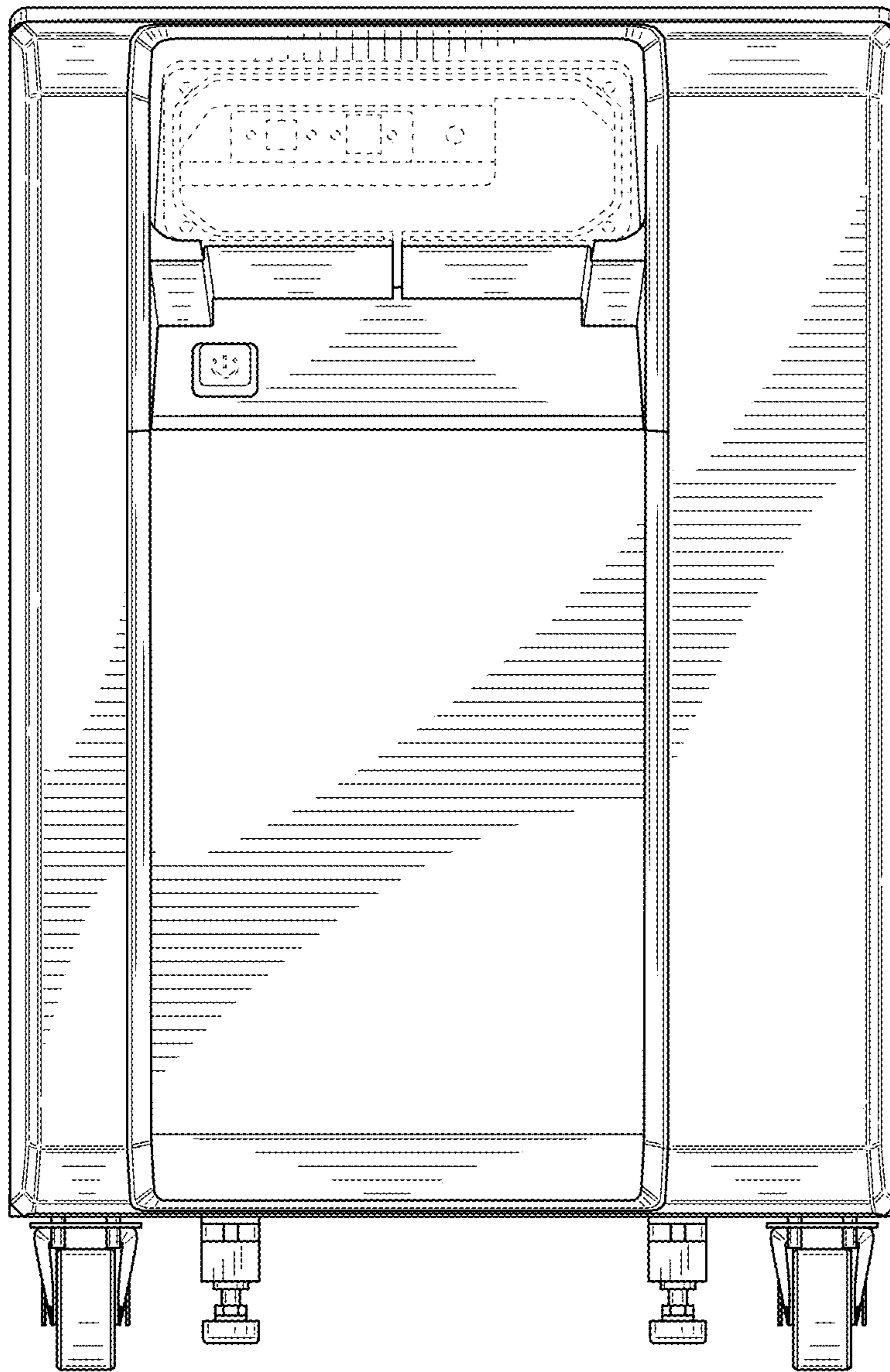


FIG. 9

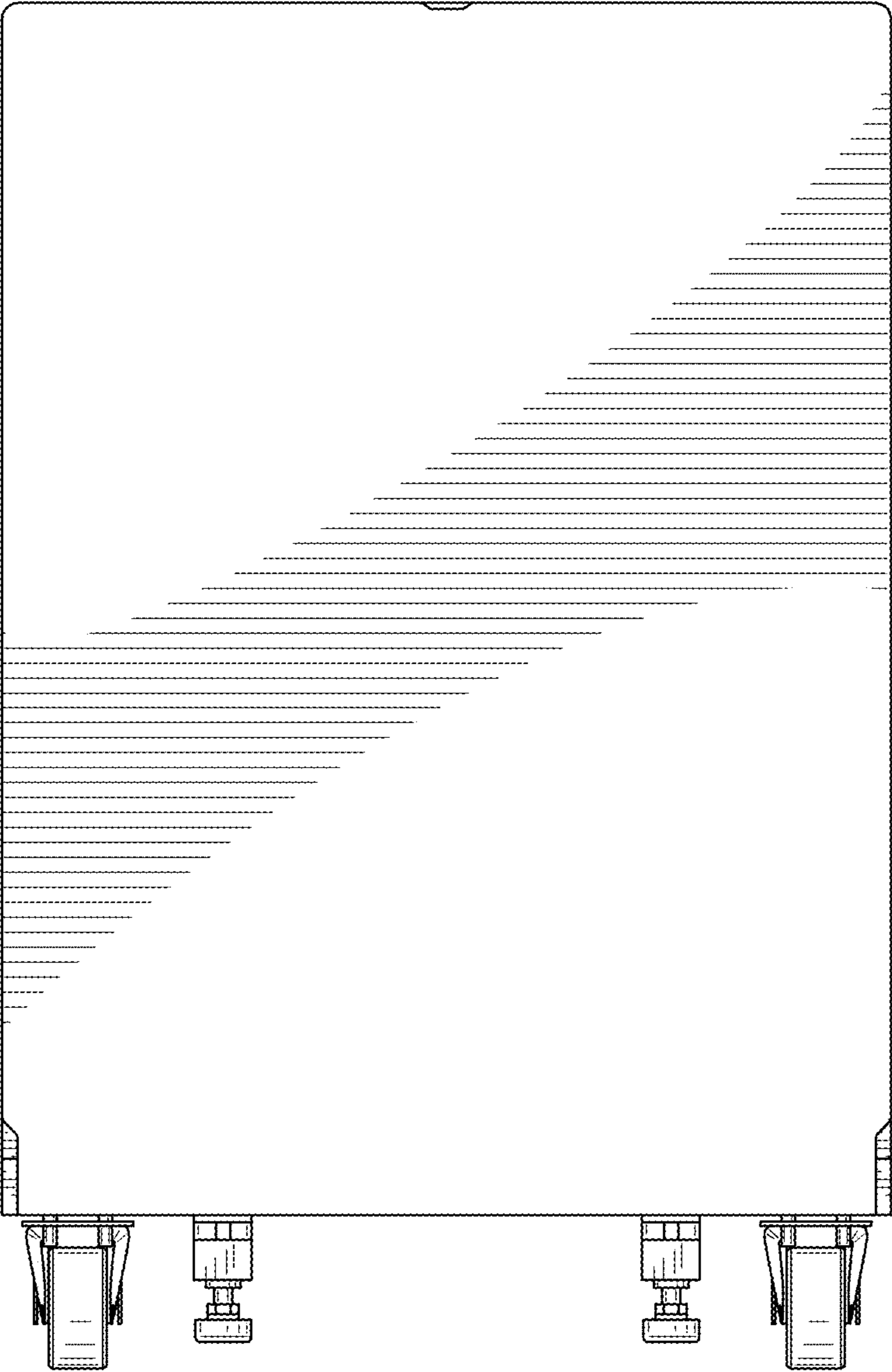


FIG. 10

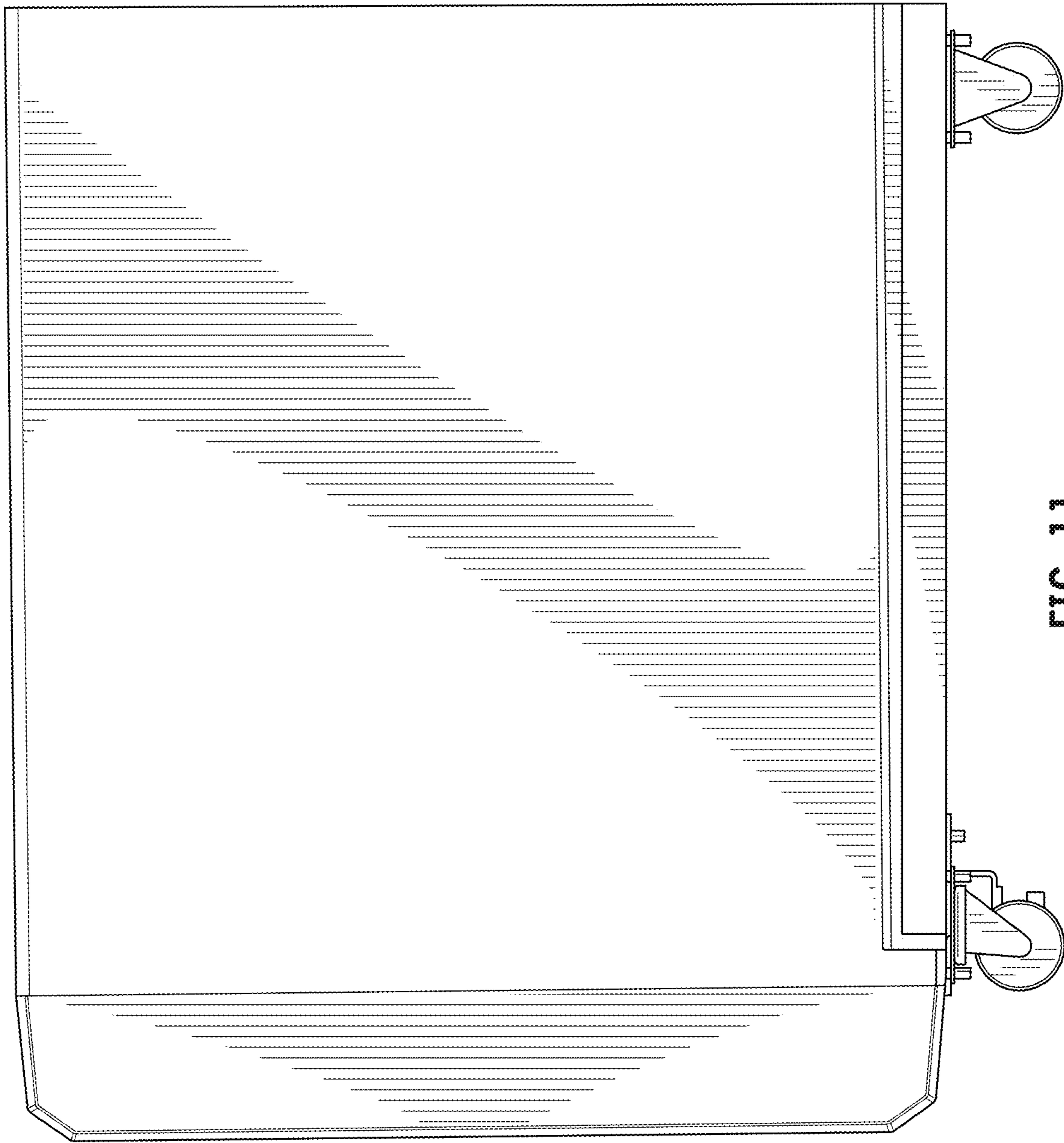


FIG. 11



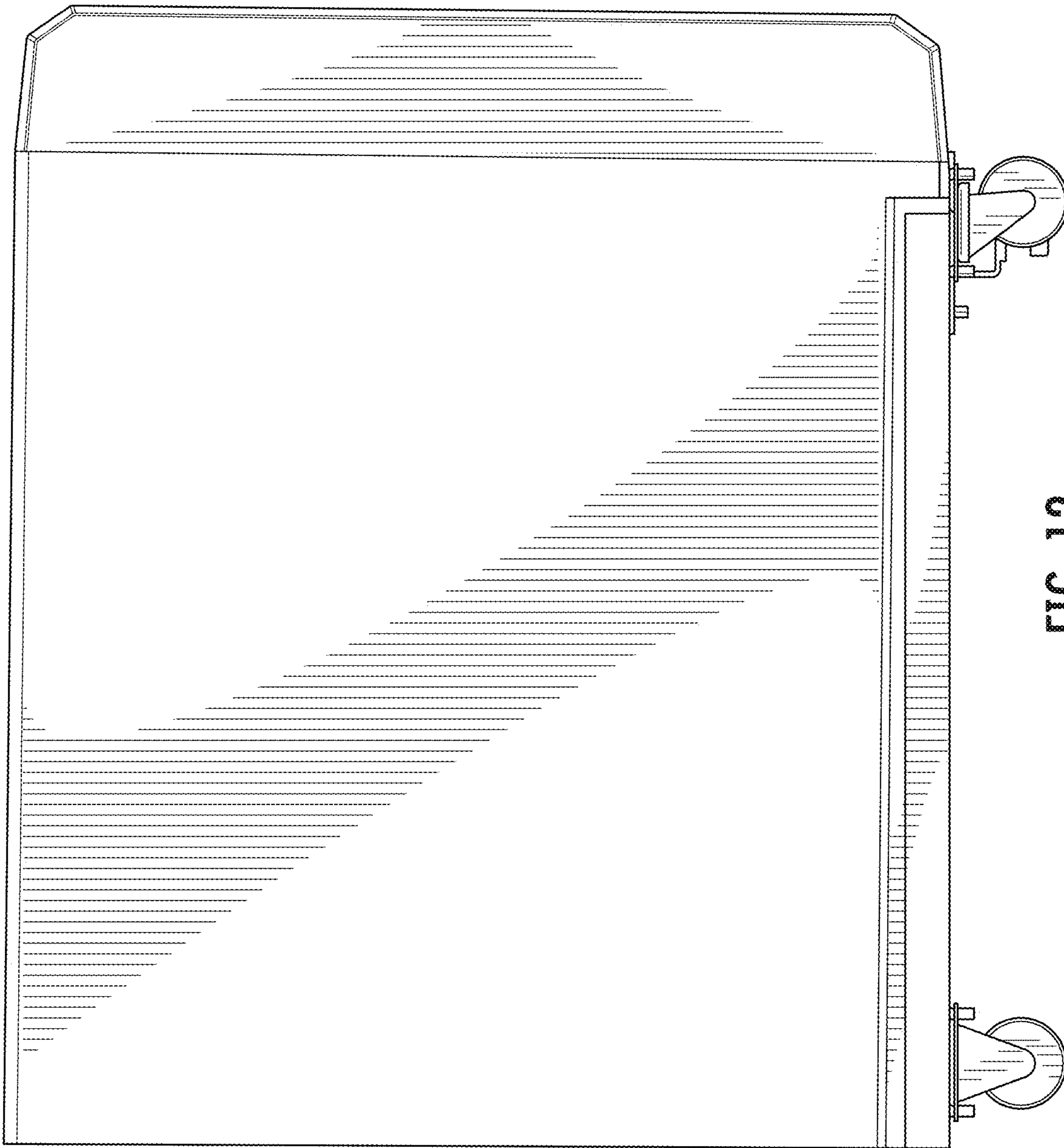


FIG. 12

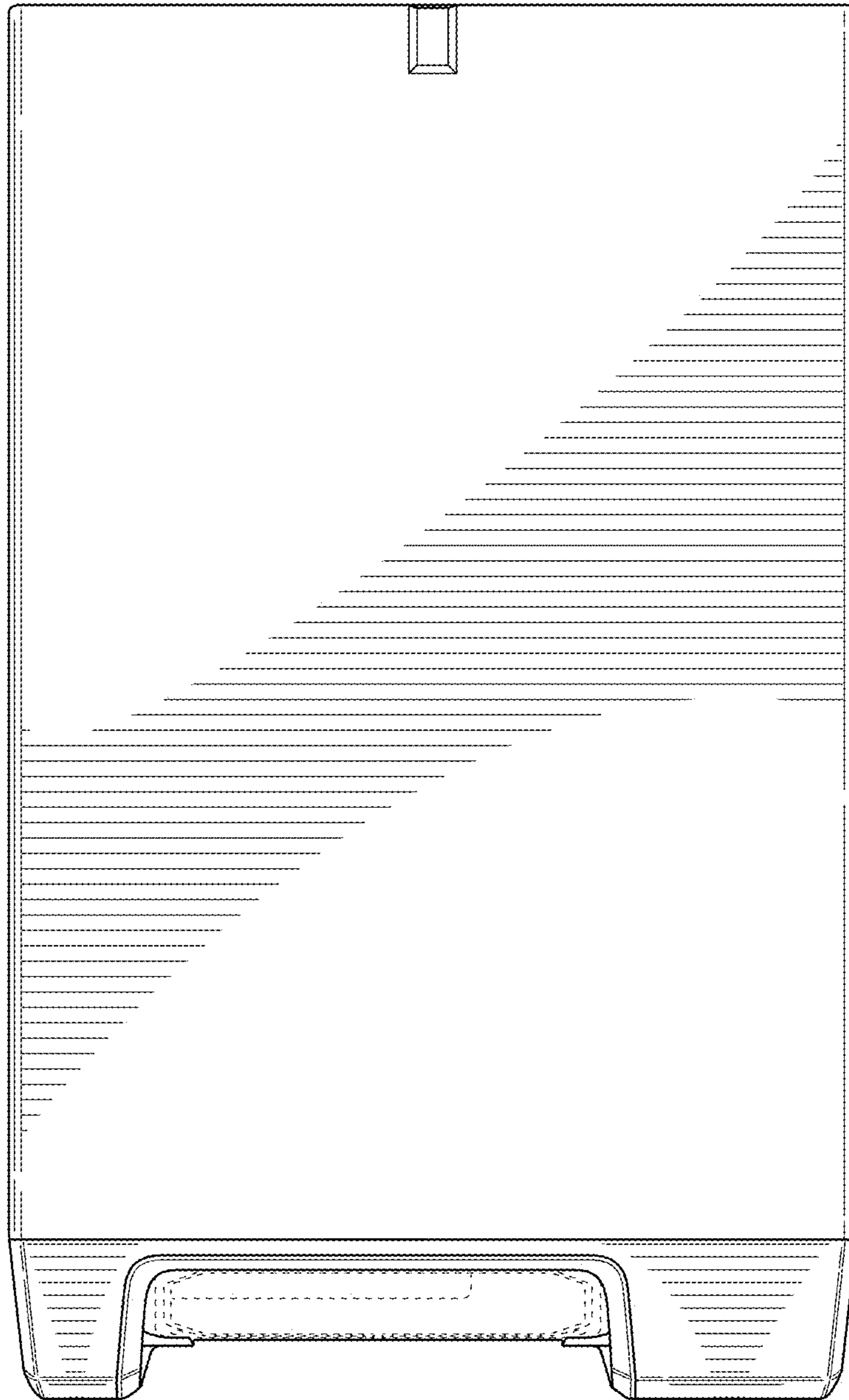


FIG. 13

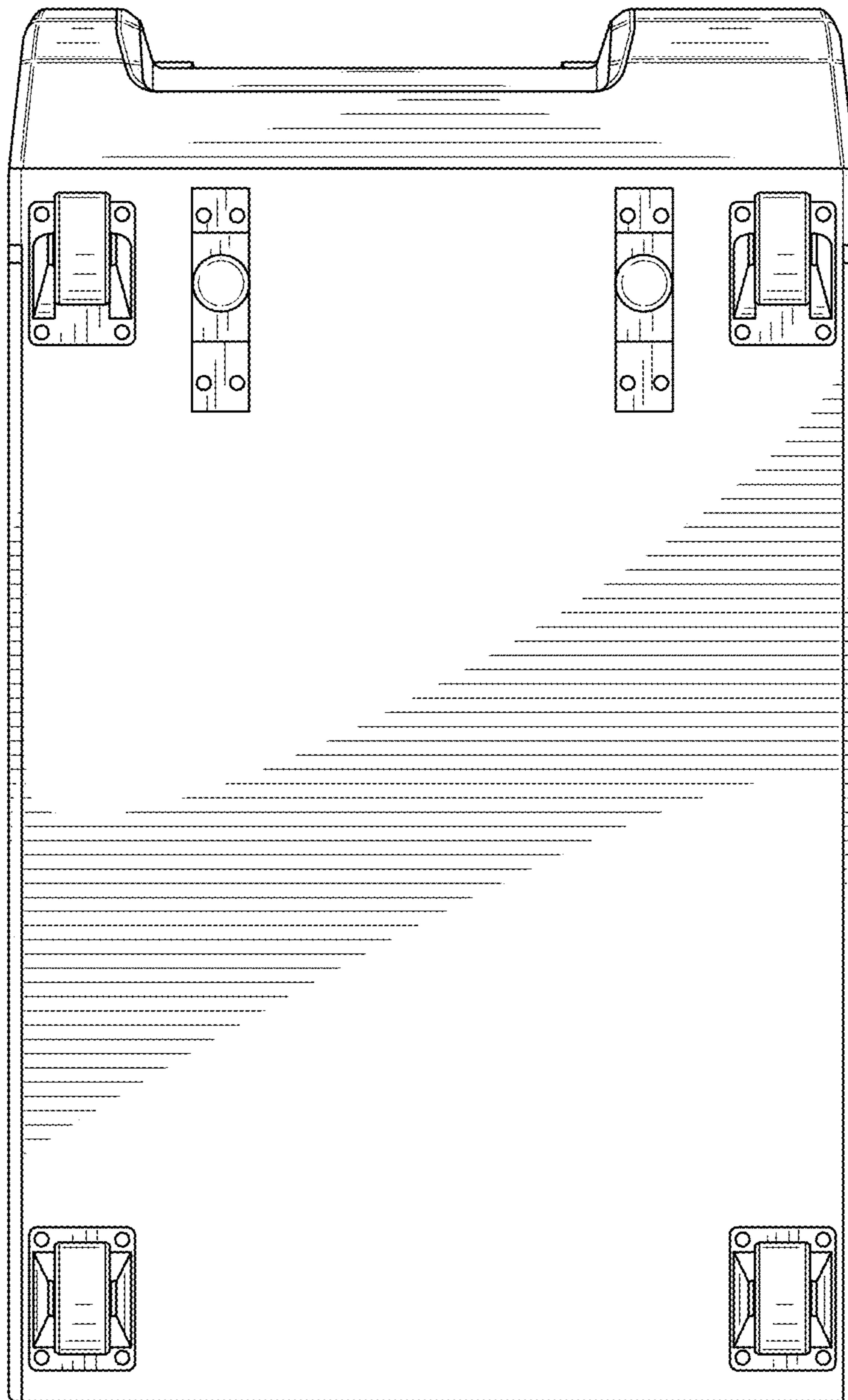


FIG. 14