



US00D919570S

(12) **United States Design Patent** (10) **Patent No.:** **US D919,570 S**
Huang (45) **Date of Patent:** **** May 18, 2021**

(54) **TRAVEL PLUG CHARGER**

(56) **References Cited**

(71) Applicant: **Shu Yan Huang**, Guangdong (CN)

U.S. PATENT DOCUMENTS

(72) Inventor: **Shu Yan Huang**, Guangdong (CN)

D231,474 S * 4/1974 Helgesson D13/107
D425,017 S * 5/2000 Leung D13/110
D604,236 S * 11/2009 Chen D13/108
D720,695 S * 1/2015 Shen D13/110
D770,975 S * 11/2016 Nada D13/110
D864,863 S * 10/2019 Lee D13/110

(**) Term: **15 Years**

* cited by examiner

(21) Appl. No.: **29/727,997**

(22) Filed: **Mar. 16, 2020**

Primary Examiner — Derrick E Holland

(30) **Foreign Application Priority Data**

(57) **CLAIM**

Sep. 18, 2019 (CN) 201930511142.8

The ornamental design for a travel plug charger, as shown.

(51) **LOC (13) Cl.** **13-02**

DESCRIPTION

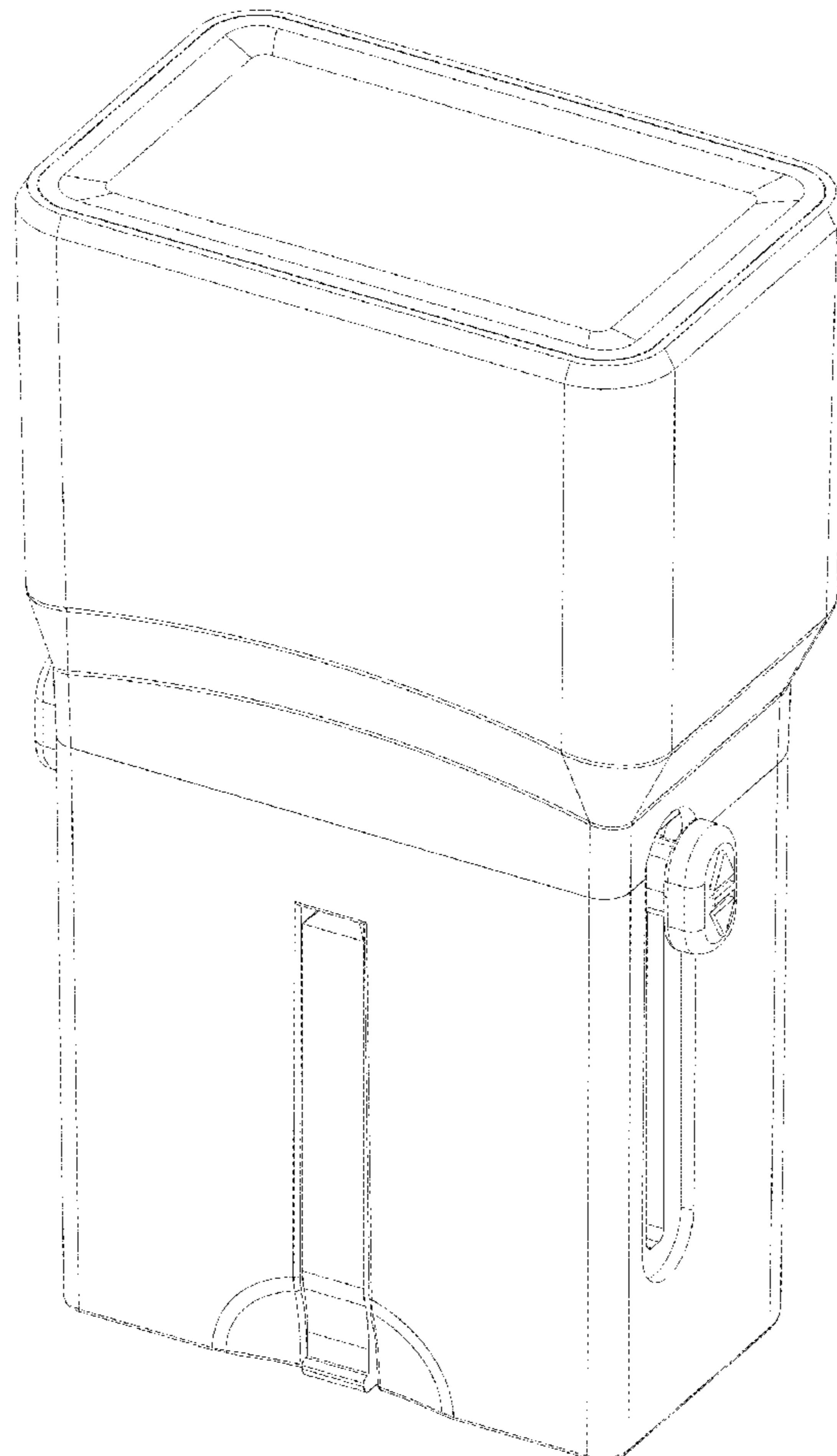
(52) **U.S. Cl.**
USPC **D13/110**

(58) **Field of Classification Search**
USPC D13/110, 103, 107, 108, 118, 119, 137.1,
D13/138.1, 138.2, 139.1, 139.2, 184, 199;
D14/253, 432, 433, 434
CPC ... H02J 7/02; H02J 7/022; H02J 7/042; H01R
25/00; H01R 25/003; H01R 13/44; H01R
27/00; H01R 13/6675; H01R 31/065;
Y02E 60/12; H01F 27/027

FIG. 1 is a front elevational view of a travel plug charger showing my new design;
FIG. 2 is a rear elevational view thereof;
FIG. 3 is a left side view thereof;
FIG. 4 is a right side view thereof;
FIG. 5 is a top plan view thereof;
FIG. 6 is a bottom plan view thereof;
FIG. 7 is a perspective view thereof;
FIG. 7 is a second perspective view thereof; and,
FIG. 9 is a third perspective view thereof.

See application file for complete search history.

1 Claim, 8 Drawing Sheets



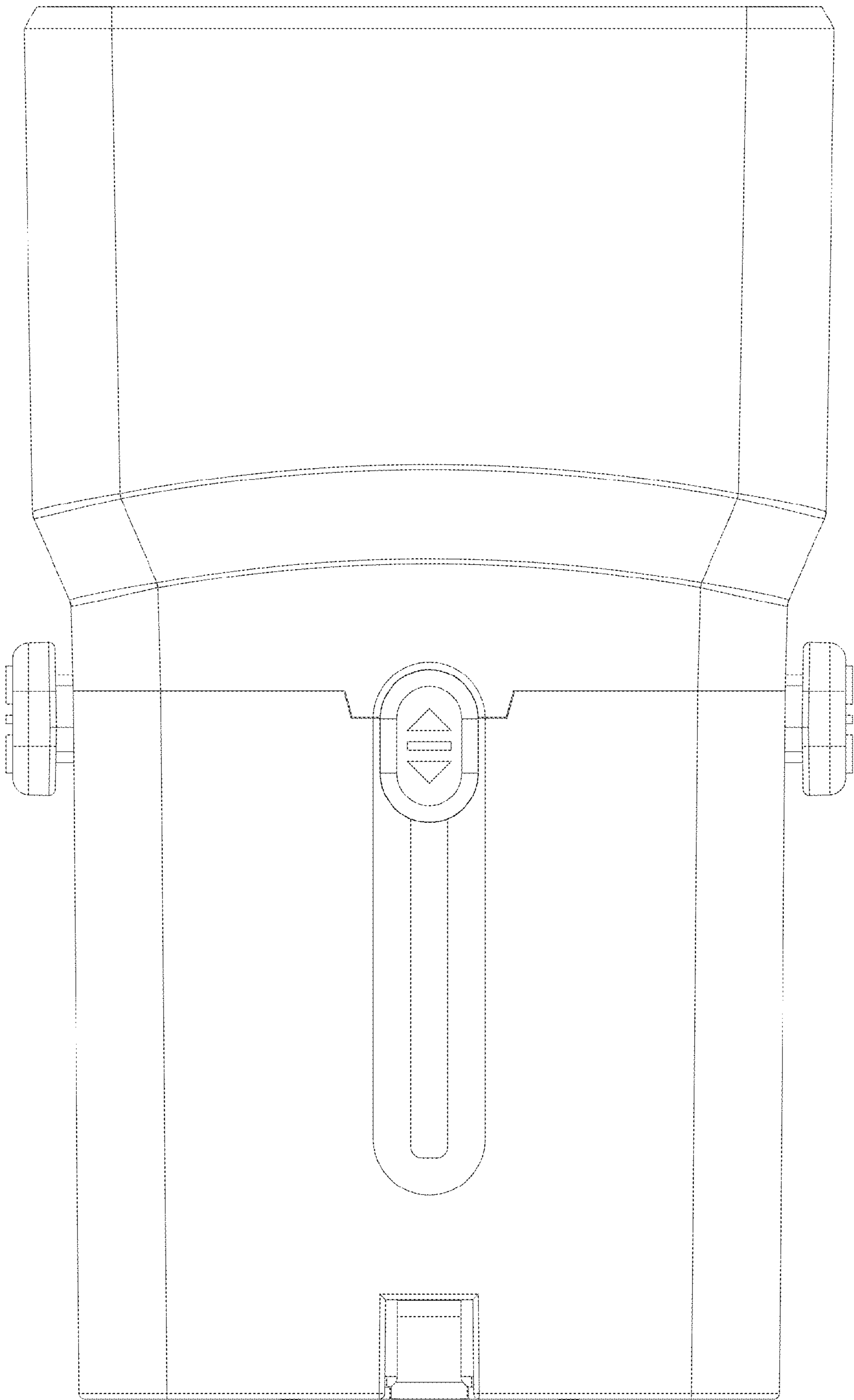


Fig. 1

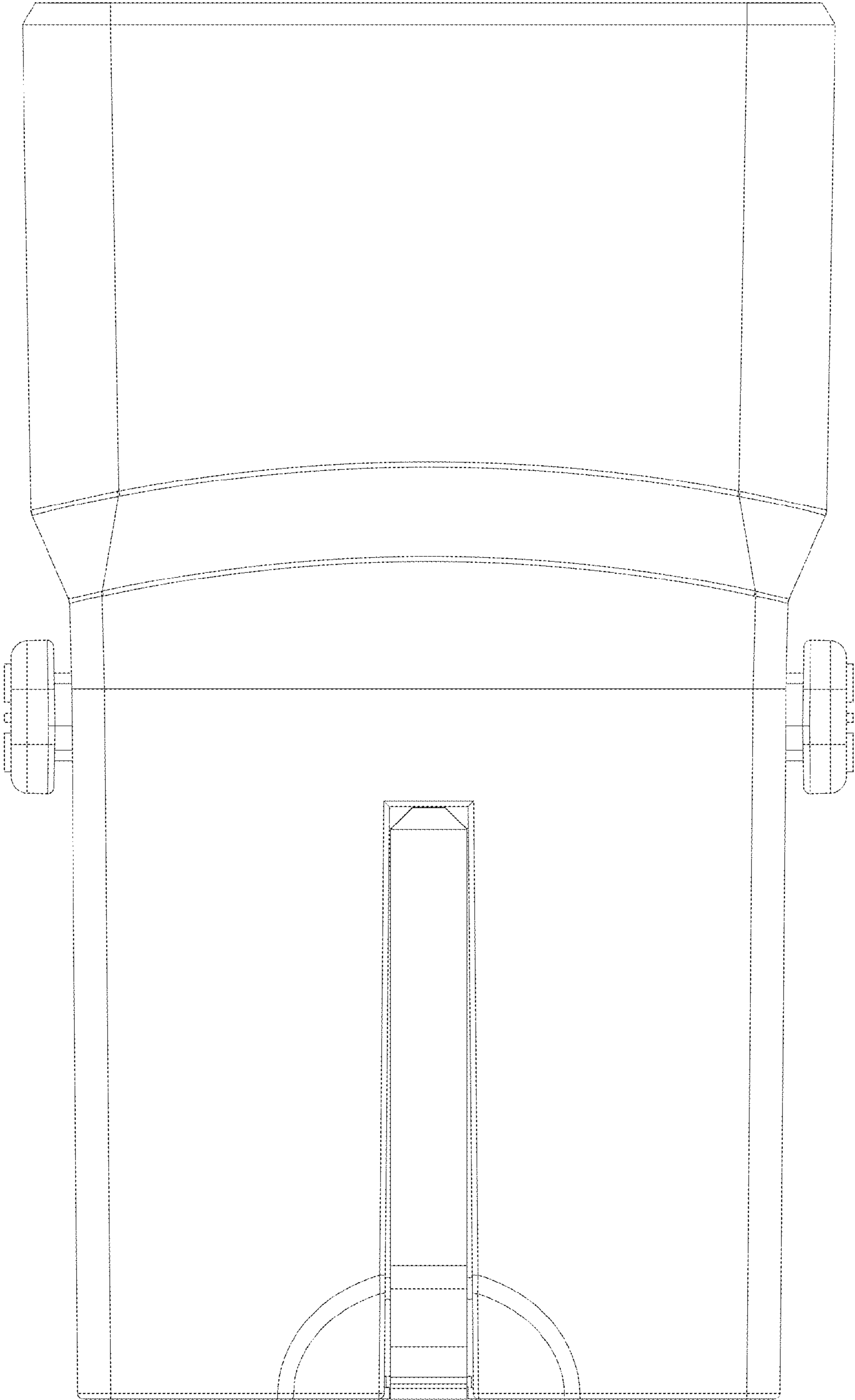


Fig. 2

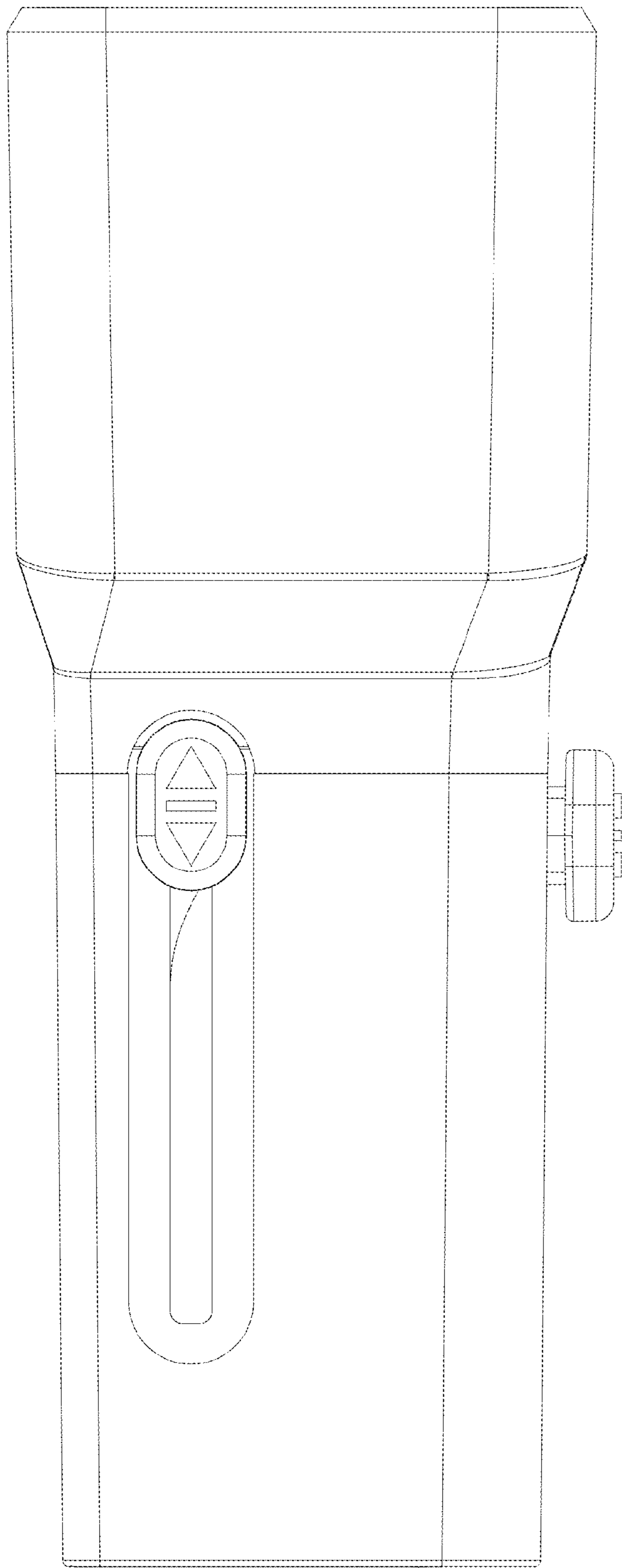


Fig. 3

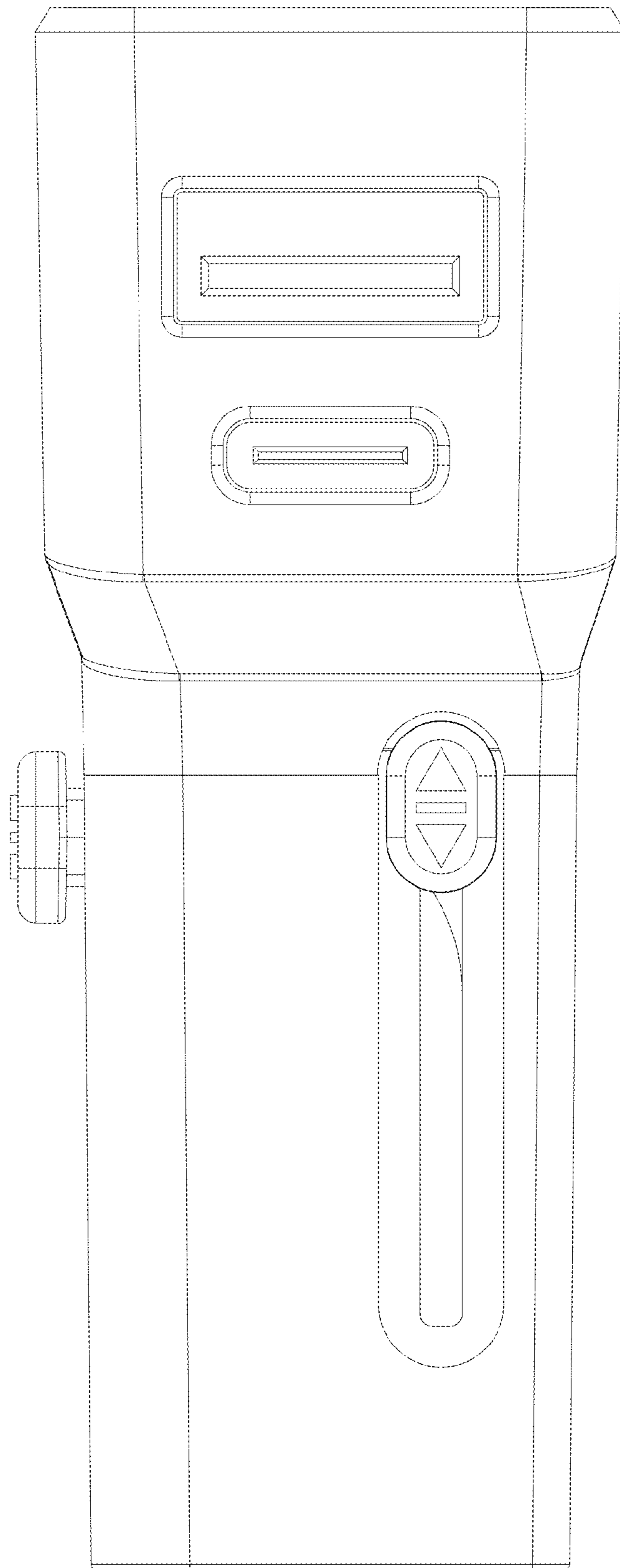


Fig. 4

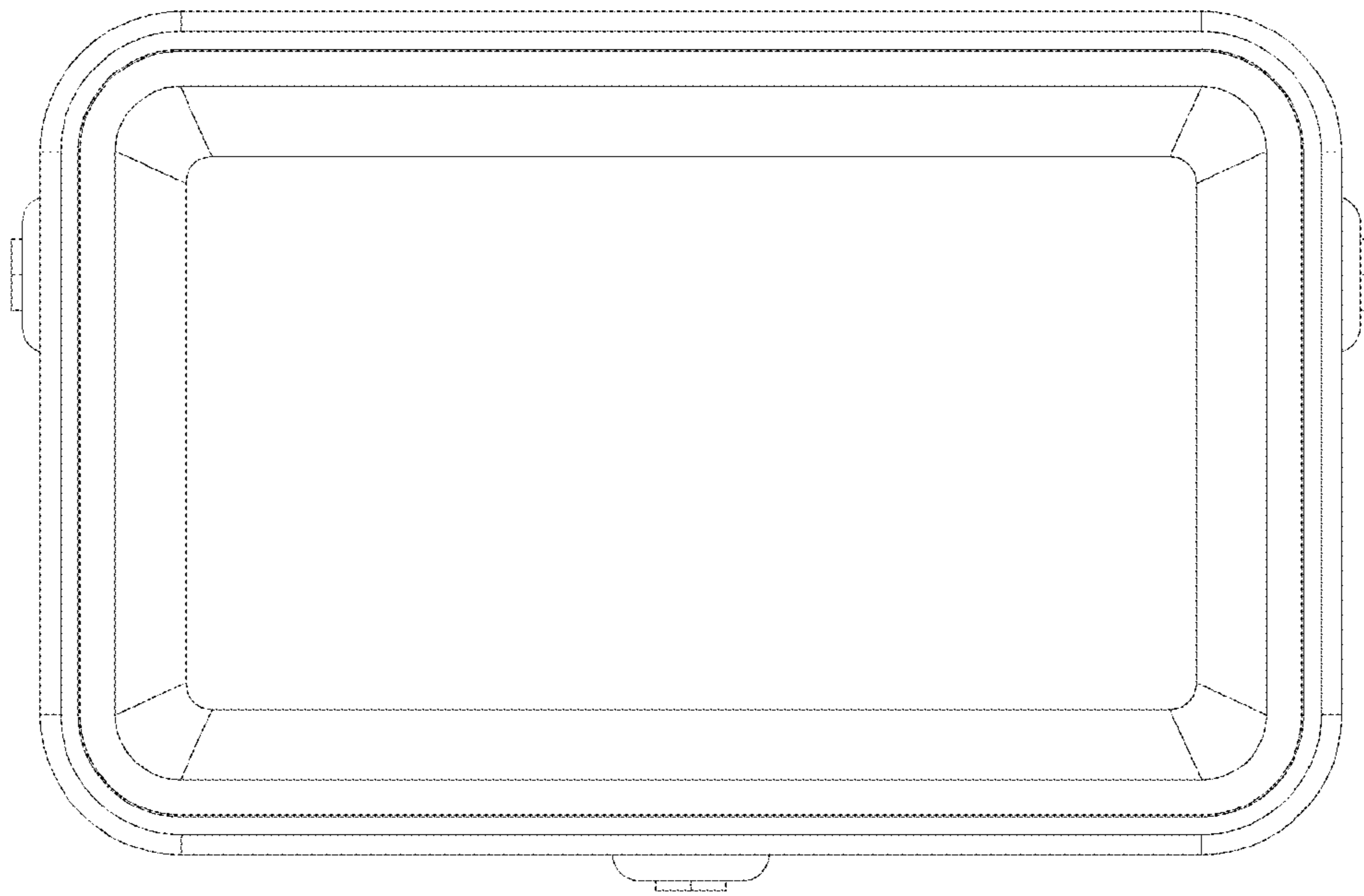


Fig. 5

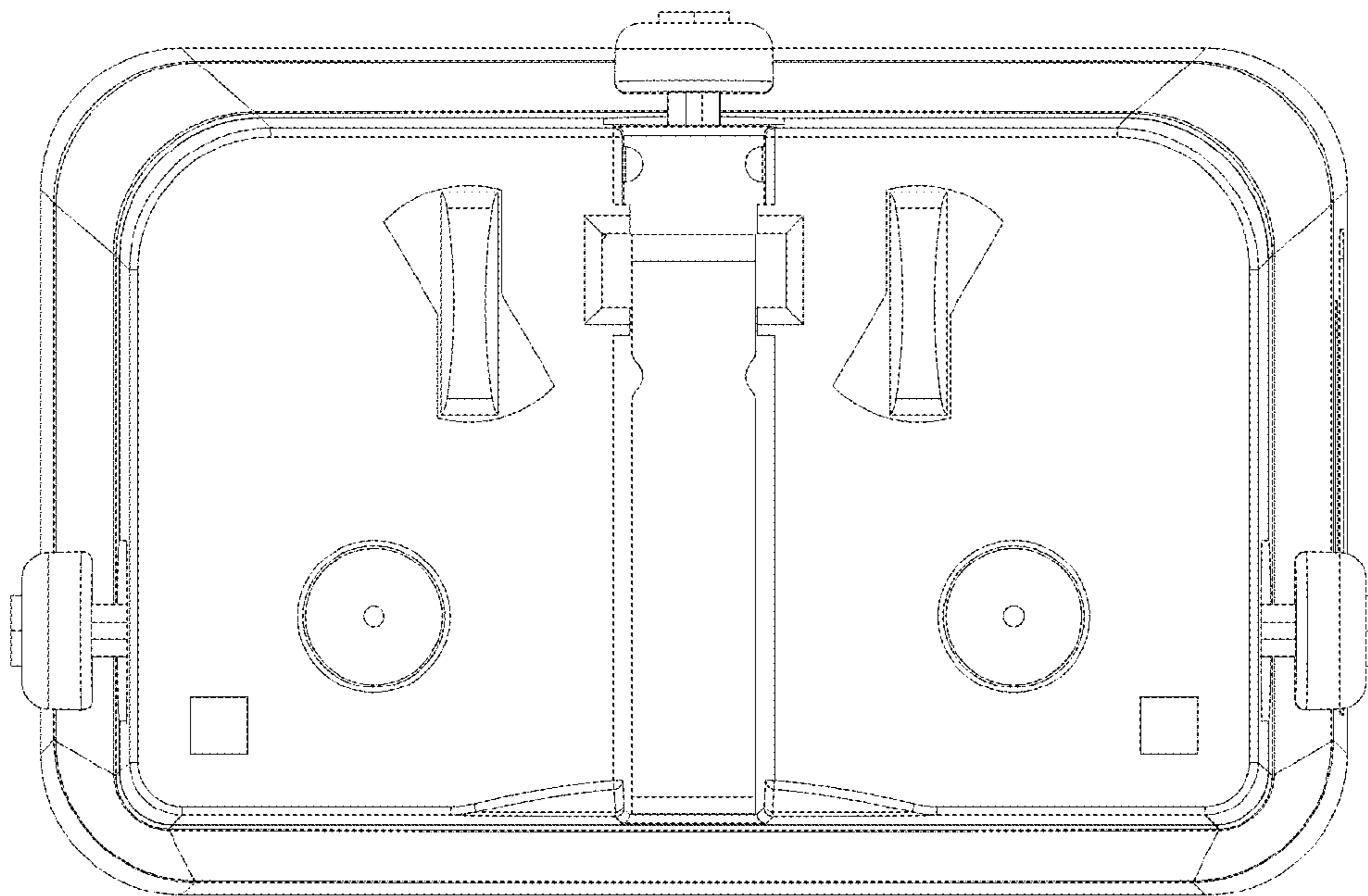


Fig. 6

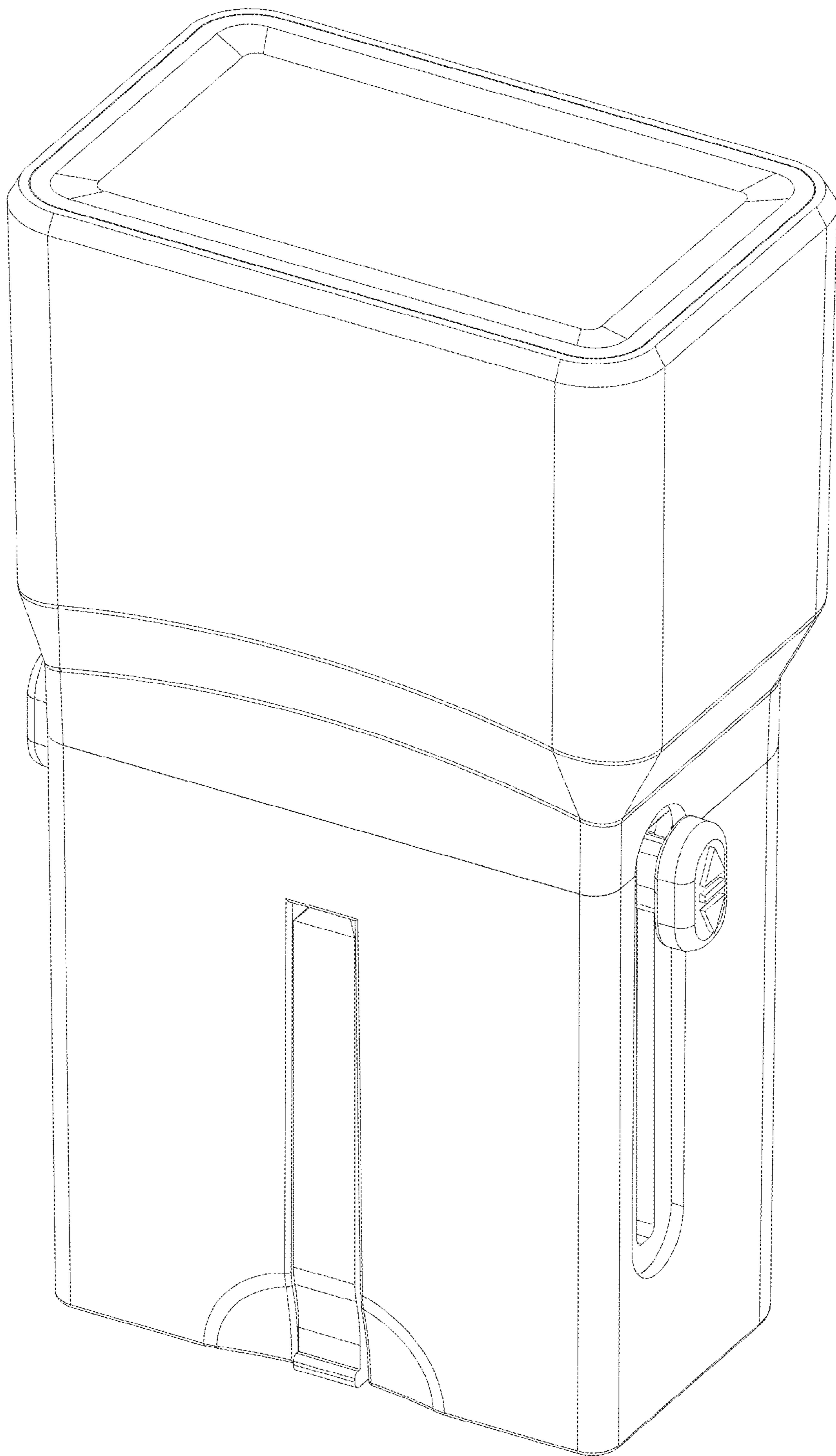


Fig. 7

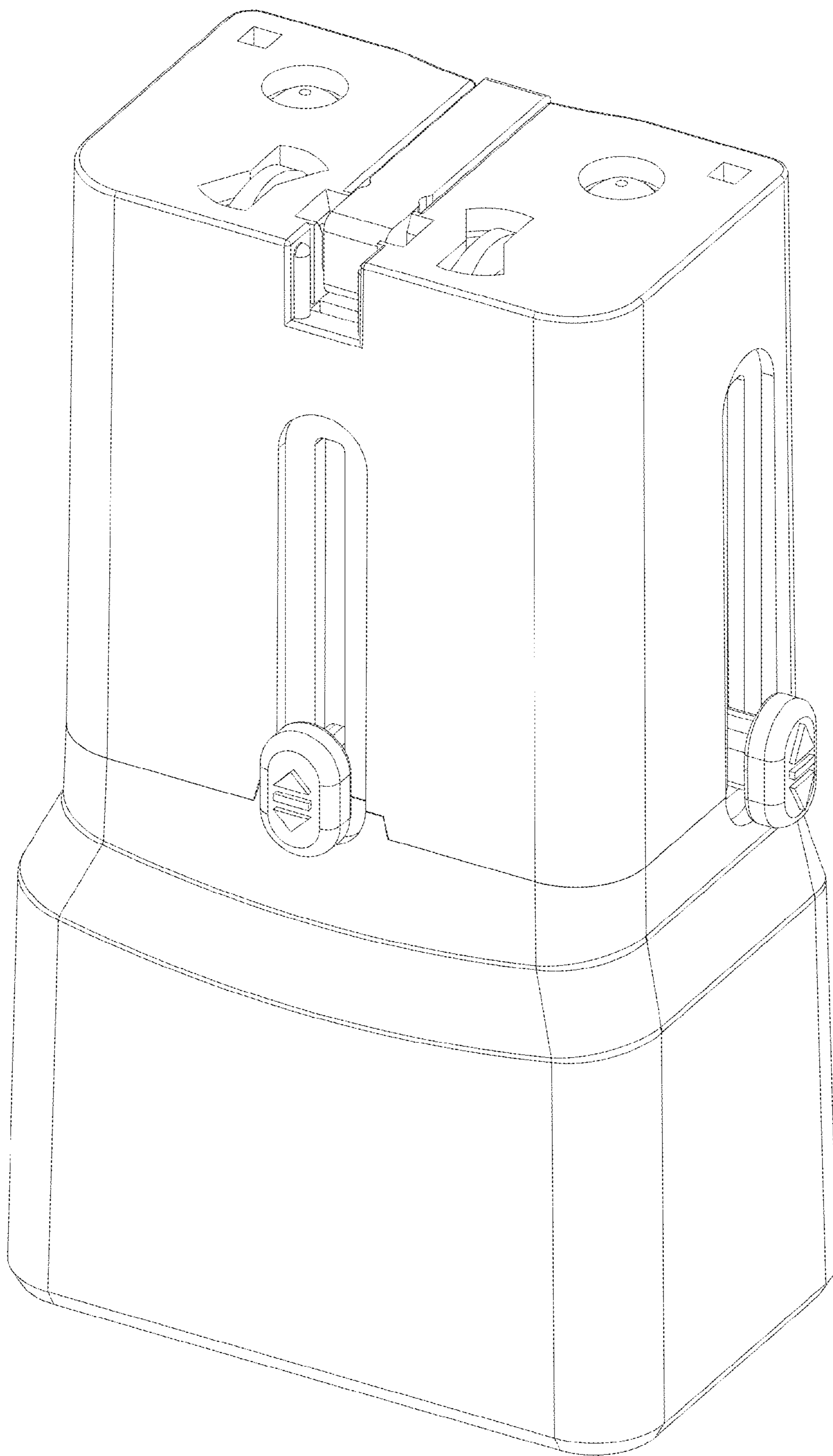


Fig. 8

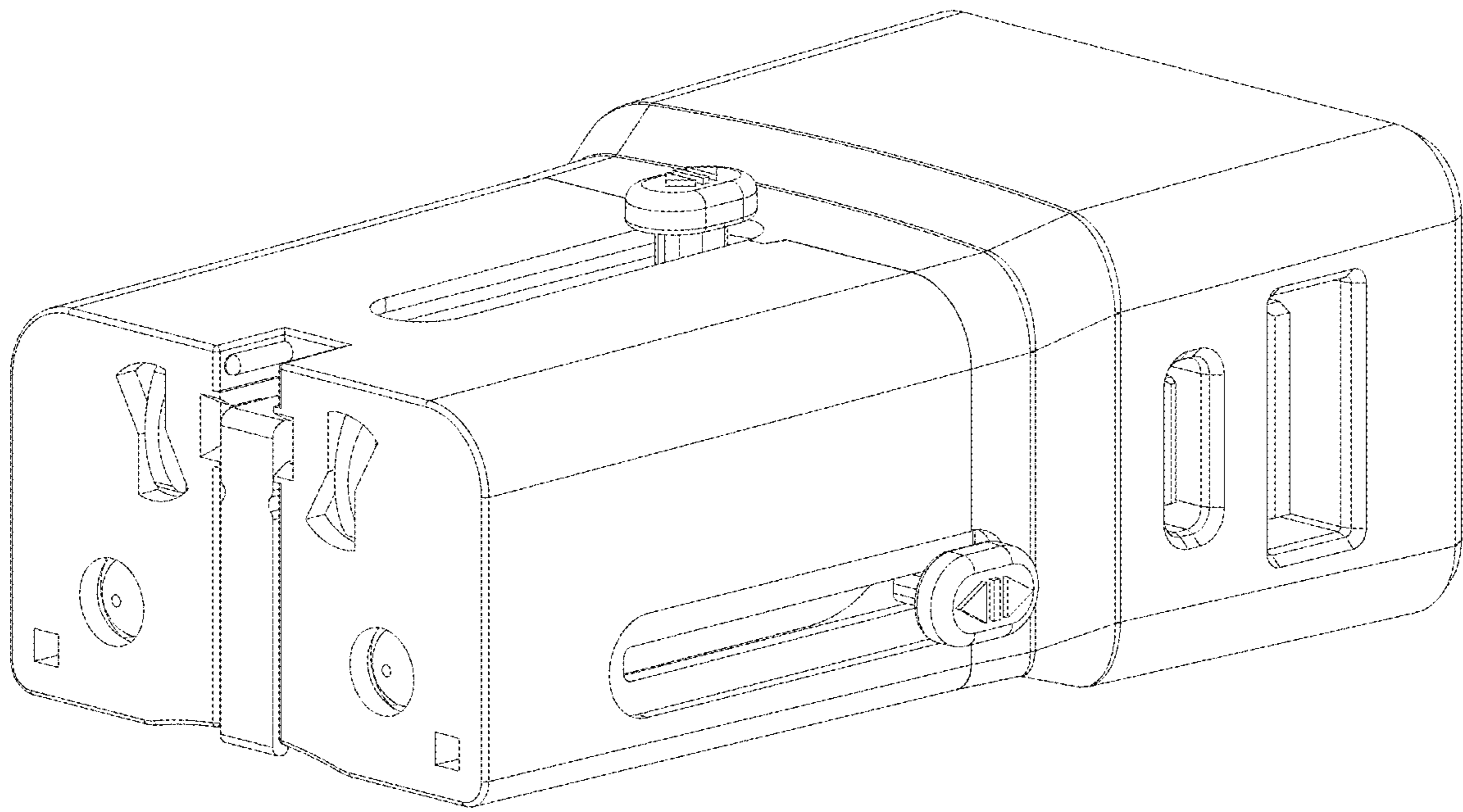


Fig. 9