



US00D919569S

(12) **United States Design Patent**
Sang

(10) **Patent No.:** **US D919,569 S**

(45) **Date of Patent:** **** May 18, 2021**

(54) **ELECTRONIC TRANSFORMER**

(71) Applicant: **Smart Hero Enterprises Ltd**, Kwai Chung (HK)

(72) Inventor: **Mak Wilson Yu Sang**, Kwai Chung (HK)

(73) Assignee: **Smart Hero Enterprises Ltd**, Kwai Chung (HK)

(**) Term: **15 Years**

(21) Appl. No.: **29/718,734**

(22) Filed: **Dec. 27, 2019**

(51) **LOC (13) Cl.** **13-02**

(52) **U.S. Cl.**
USPC **D13/110**

(58) **Field of Classification Search**
USPC D13/110, 101, 184, 199
CPC H01F 27/02; H01F 27/04; H01F 27/12;
H01F 27/26; H01F 27/29; H01F 27/30;
H01F 27/245; H01F 41/0233; E04H 5/04;
H01H 9/0044; H02M 7/06; H02M 7/44
See application file for complete search history.

(56) **References Cited**

U.S. PATENT DOCUMENTS

D289,033 S * 3/1987 Makinson D13/110
D580,858 S * 11/2008 Heinzig D13/110

D594,410 S * 6/2009 Mullen D13/110
D597,942 S * 8/2009 Koizumi D13/110
D610,087 S * 2/2010 Johnson D13/110
D651,566 S * 1/2012 Sedberry D13/110
D654,870 S * 2/2012 Pehlari D13/110
8,309,845 B2 * 11/2012 Wood H01F 27/12
174/17 LF

* cited by examiner

Primary Examiner — Derrick E Holland

(74) *Attorney, Agent, or Firm* — Muncy, Geissler, Olds & Lowe, P.C.

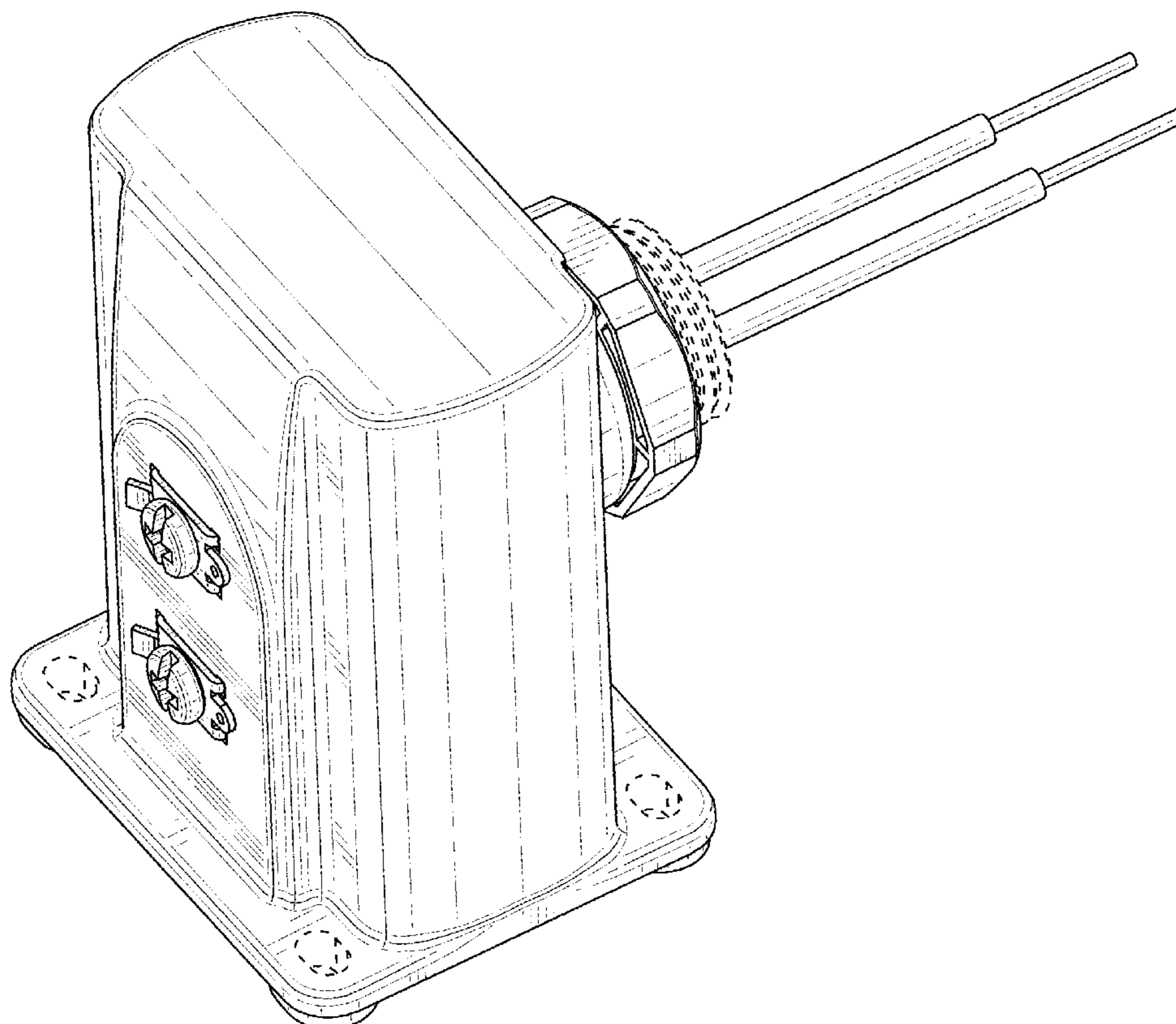
(57) **CLAIM**

The ornamental design for an electronic transformer, as shown and described.

DESCRIPTION

FIG. 1 is a perspective view of an electronic transformer showing my new design;
FIG. 2 is a front elevational view thereof;
FIG. 3 is a rear elevational view thereof;
FIG. 4 is a left side elevational view thereof;
FIG. 5 is a right side view thereof;
FIG. 6 is a top plan view thereof; and,
FIG. 7 is a bottom plan view thereof.
The broken lines illustrate portions of the electronic transformer which form no part of the claimed design.

1 Claim, 7 Drawing Sheets



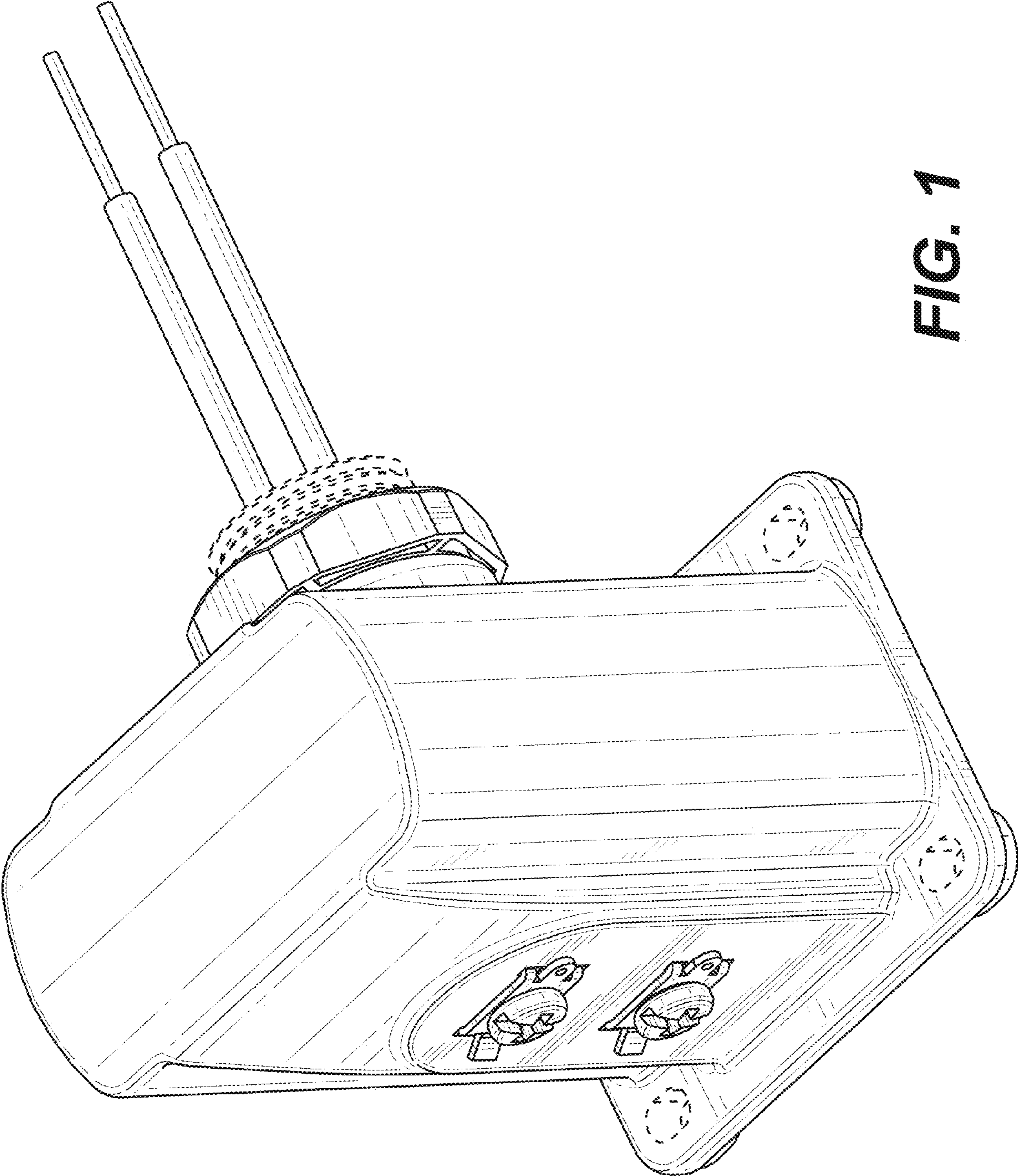


FIG. 1

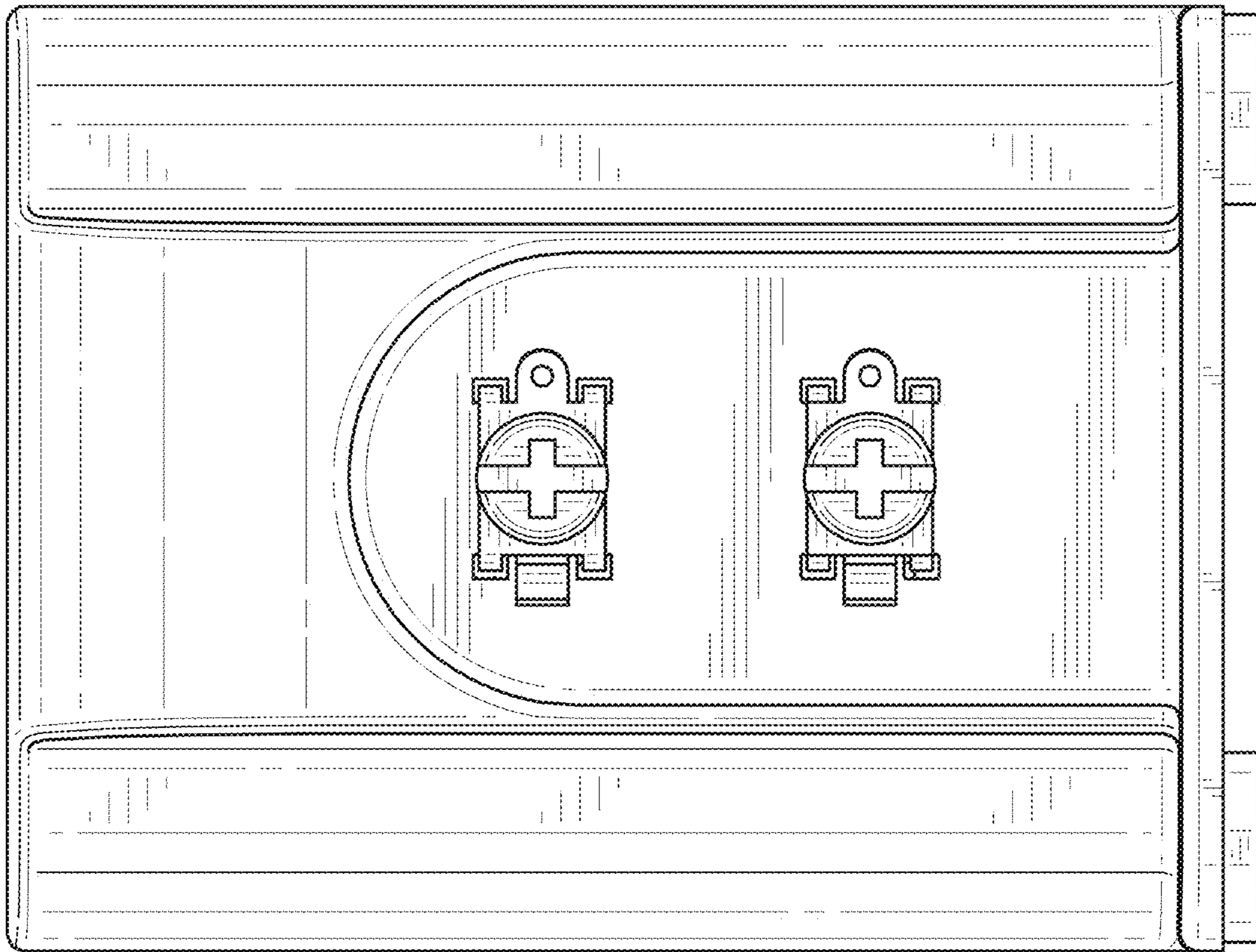


FIG. 2

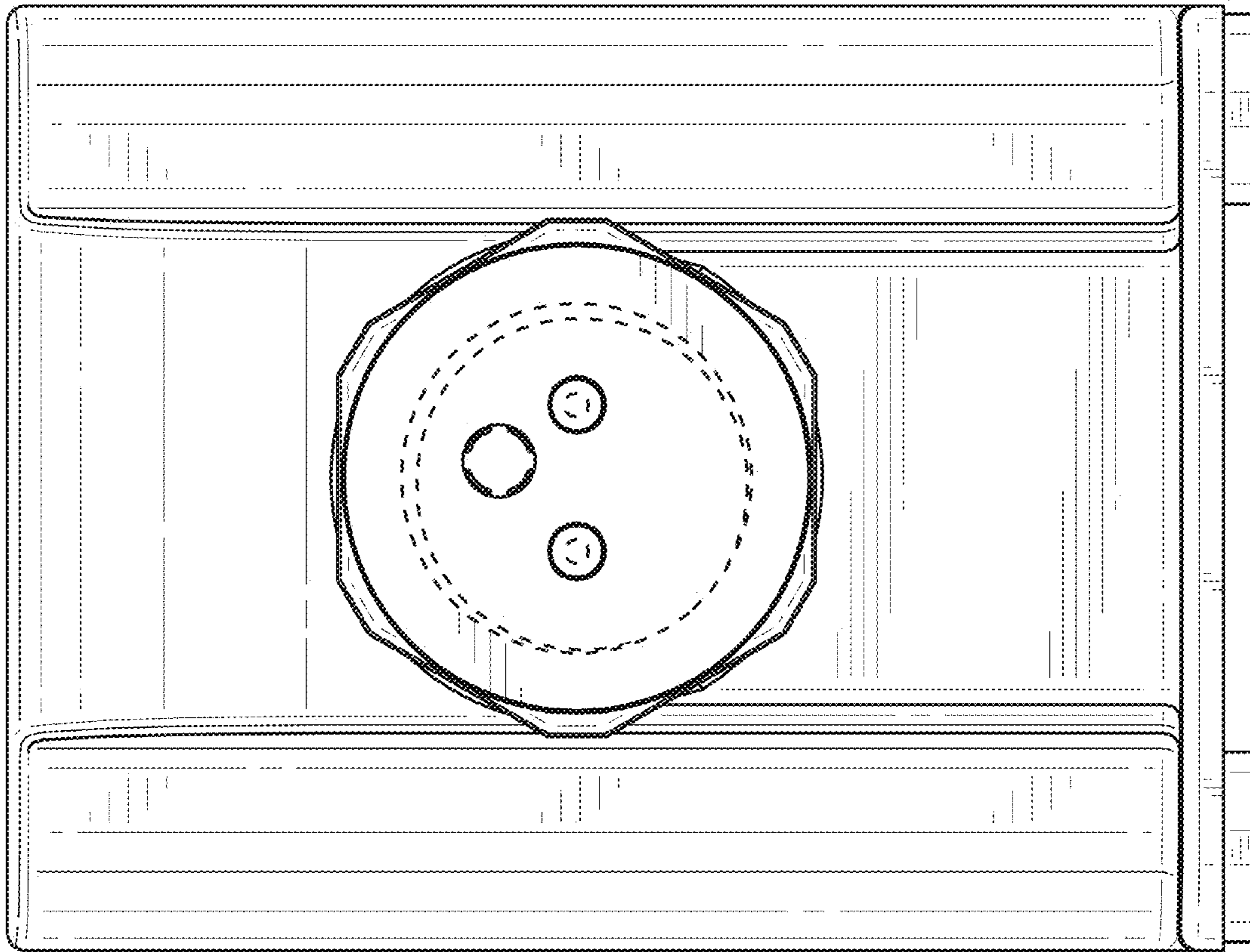


FIG. 3

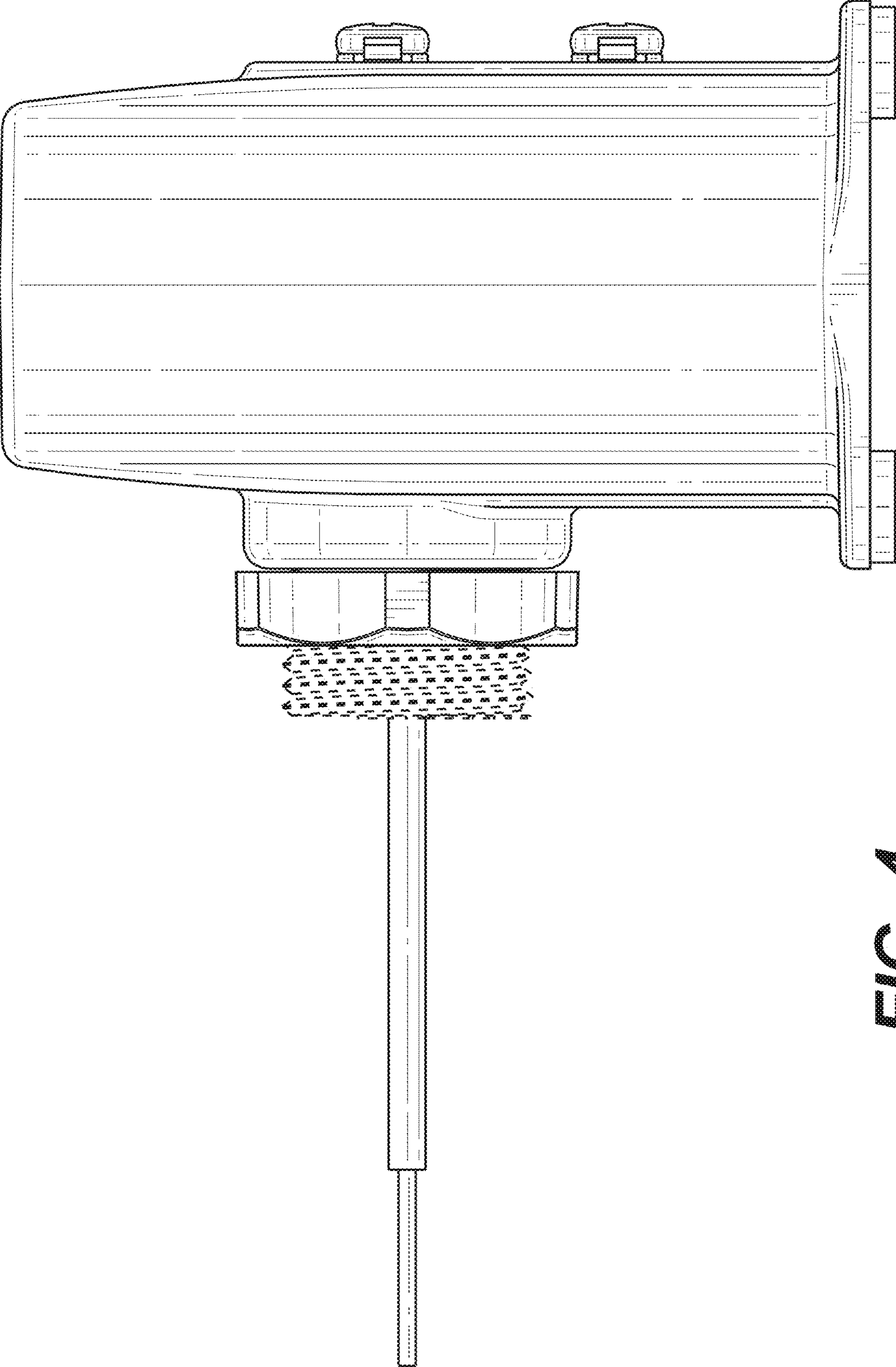


FIG. 4

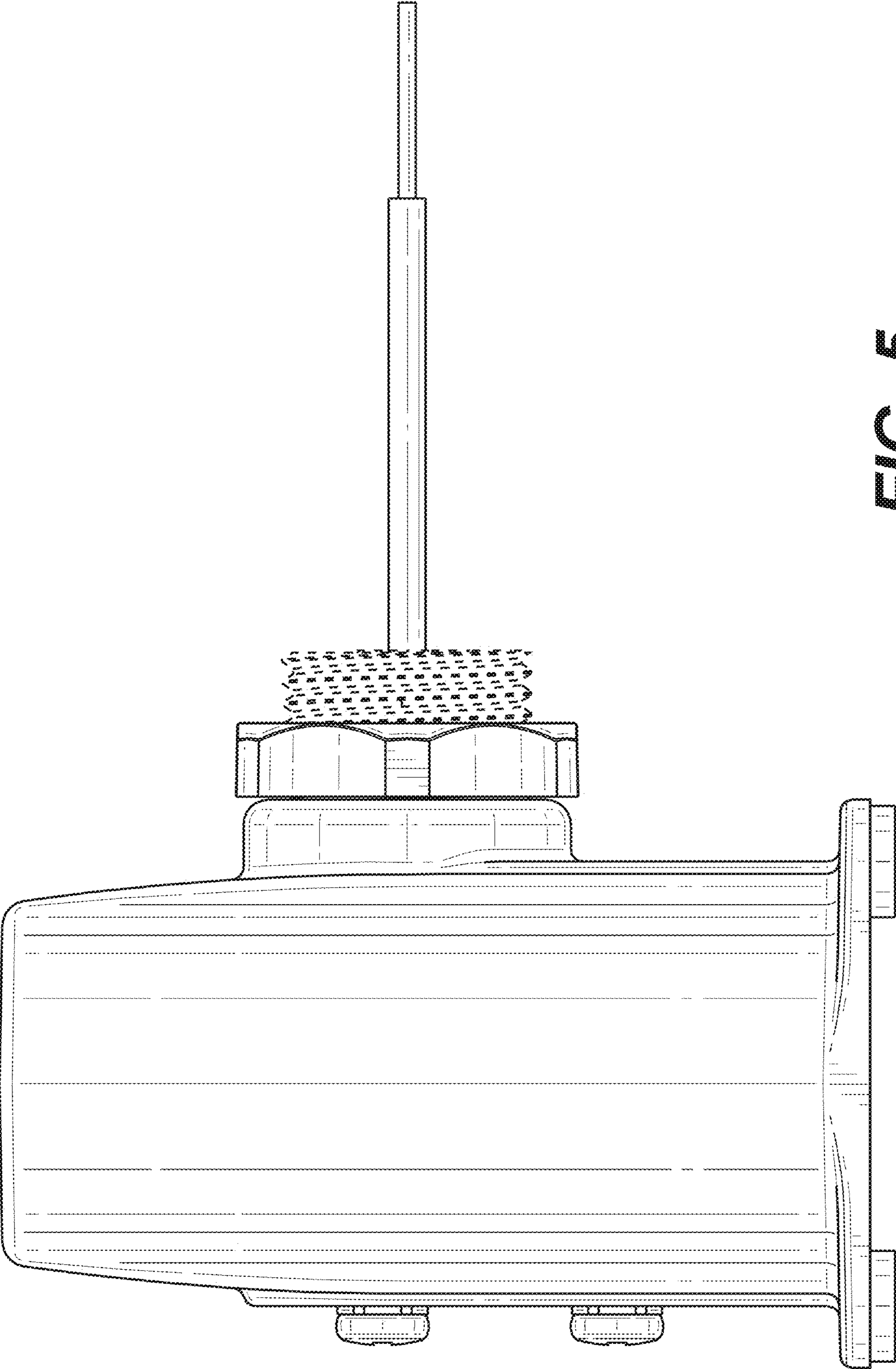


FIG. 5

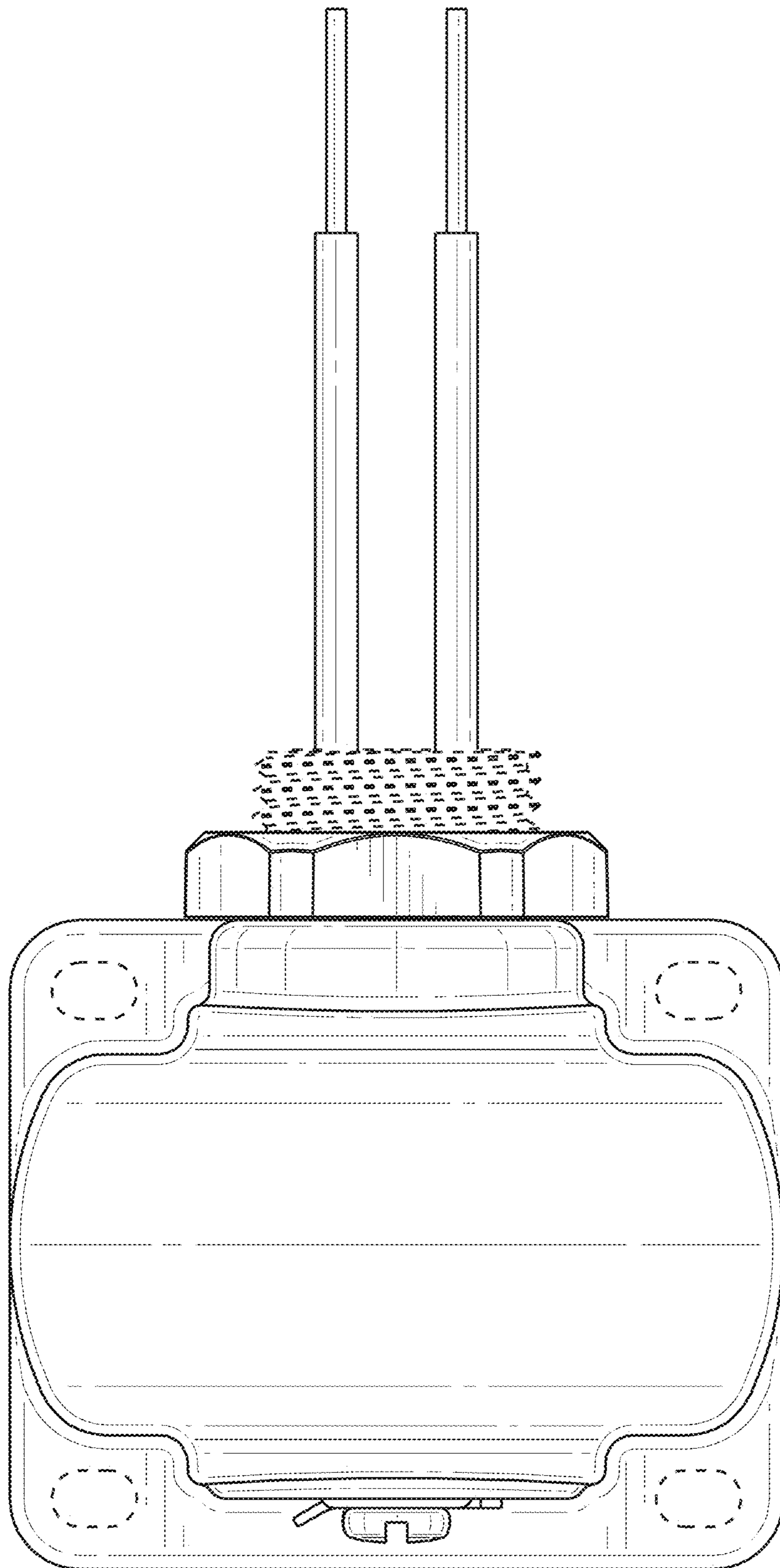


FIG. 6

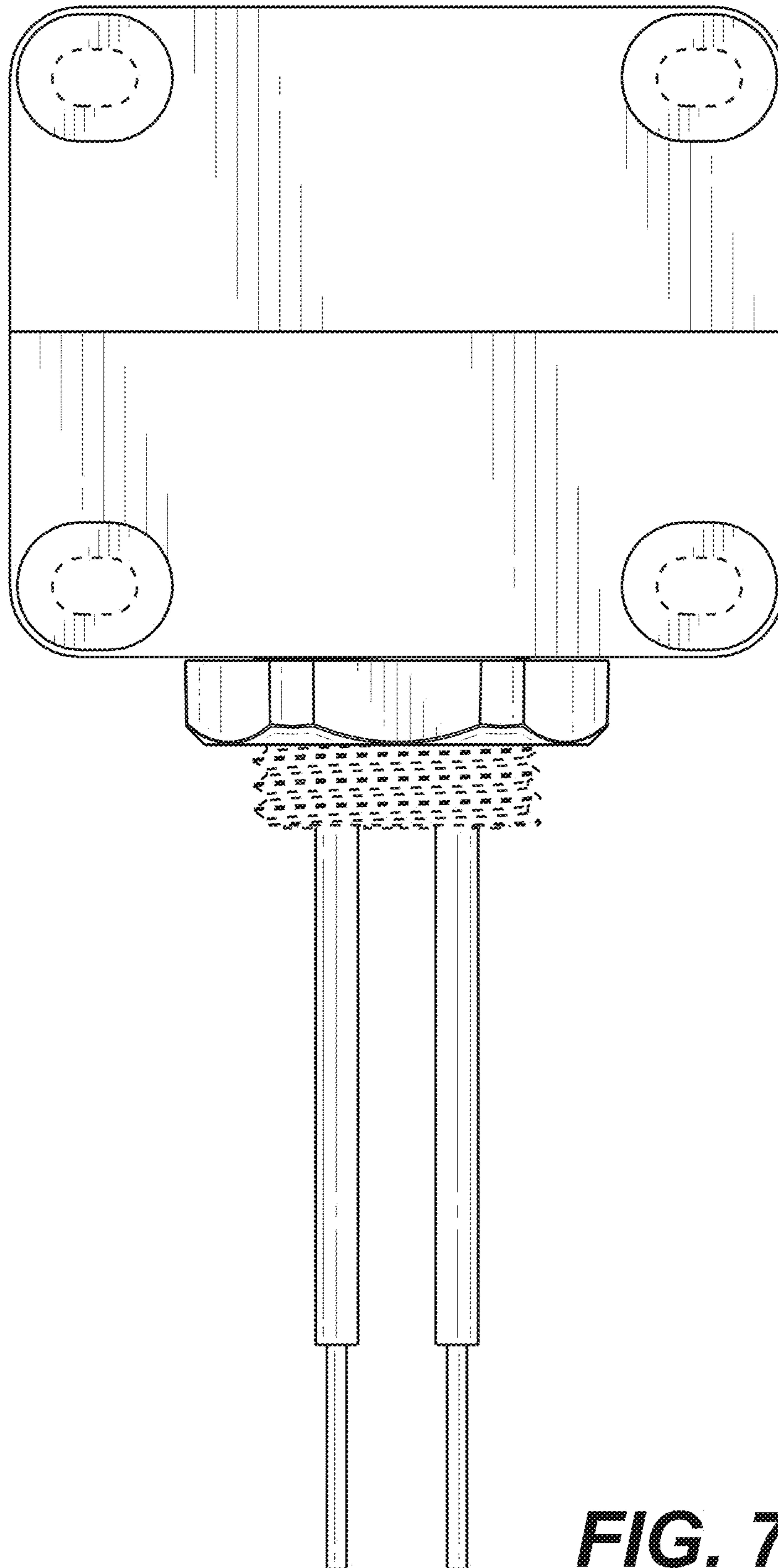


FIG. 7