



US00D919566S

(12) **United States Design Patent**
Chen

(10) **Patent No.:** **US D919,566 S**

(45) **Date of Patent:** **** May 18, 2021**

(54) **BATTERY CONVERTER**

(71) Applicant: **Shenzhen City JinMeiLun Business trade Co., Ltd, Shenzhen (CN)**

(72) Inventor: **Bin Chen, Shenzhen (CN)**

(73) Assignee: **SHENZHEN CITY JINMEILUN BUSINESS TRADE CO., LTD, Shenzhen (CN)**

(**) Term: **15 Years**

(21) Appl. No.: **29/715,284**

(22) Filed: **Nov. 29, 2019**

(30) **Foreign Application Priority Data**

Oct. 10, 2019 (CN) 201930549931.0

(51) **LOC (13) Cl.** **13-02**

(52) **U.S. Cl.**
USPC **D13/108**

(58) **Field of Classification Search**
USPC D13/103, 107, 108, 109, 110, 116, 118, D13/119, 199; D14/209.1, 224, 251, 252, D14/434, 447; D27/172, 183, 186, 193
CPC H04R 1/1025; H02J 7/342; H02J 50/00
See application file for complete search history.

(56) **References Cited**

U.S. PATENT DOCUMENTS

D307,016 S * 4/1990 Watanabe D13/108
D516,026 S * 2/2006 Barrett D13/108
D532,370 S * 11/2006 Shimizu D13/108
7,365,514 B2 * 4/2008 Tong H02J 7/0042
307/150
D580,351 S * 11/2008 Elsmark D13/103
D589,441 S * 3/2009 Van Wambeke D13/103
D654,018 S * 2/2012 Conley D13/107

D699,670 S * 2/2014 Cooper D13/103
D743,330 S * 11/2015 Zhang D13/107
D776,610 S * 1/2017 Nommensen D13/103
D889,410 S * 7/2020 Birkholz D13/119
2010/0085020 A1 * 4/2010 Suzuki H01M 10/486
320/157
2015/0084578 A1 * 3/2015 Pickens H02J 7/0042
320/103

OTHER PUBLICATIONS

“Makita Power Source Charger Adapter”. Found online Jan. 21, 2021 at ebay.com. Reference dated Dec. 31, 2017. Retrieved from https://tineye.com/search/77b74ab019f6f6c383cb21870a530dd4a1634361?sort=crawl_date&order=asc&page=1&ia=ebay.com. (Year: 2017).*

(Continued)

Primary Examiner — Kendra Leslie Hamilton

Assistant Examiner — Amanda Christensen

(74) *Attorney, Agent, or Firm* — IPro, PLLC

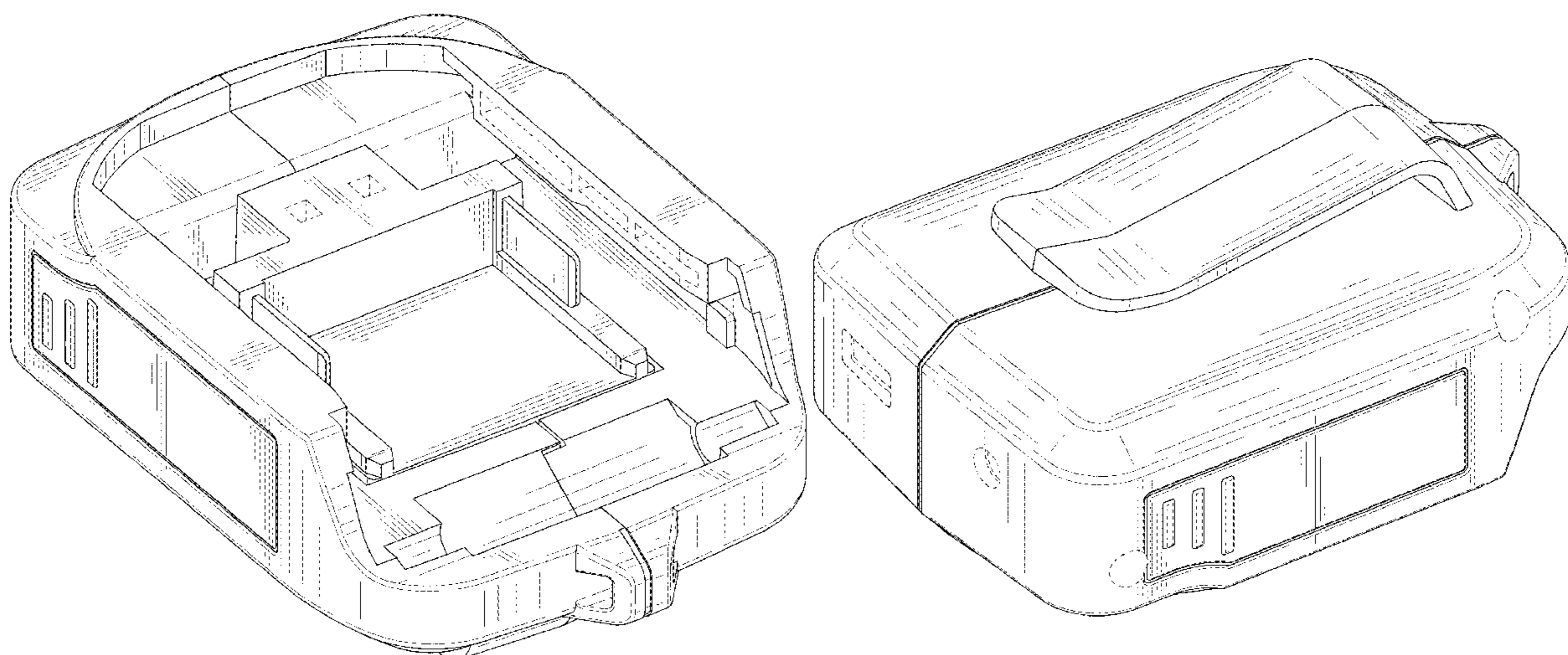
(57) **CLAIM**

The ornamental design for a battery converter, as shown and described.

DESCRIPTION

FIG. 1 is a top, front, left side perspective view of a battery converter, showing my new design;
FIG. 2 is a bottom, rear, right side perspective view thereof;
FIG. 3 is a front elevation view thereof;
FIG. 4 is a rear elevation view thereof;
FIG. 5 is a left side elevation view thereof;
FIG. 6 is a right side elevation view thereof;
FIG. 7 is a top plan view thereof; and,
FIG. 8 is a bottom plan view thereof.
The broken lines in the drawings depict portions of the battery converter that form no part of the claimed design.

1 Claim, 8 Drawing Sheets



(56)

References Cited

OTHER PUBLICATIONS

“Upstart Battery USB Power Source”. Found online Feb. 2, 2021 at shopyourway.com. Reference dated Feb. 22, 2016. Retrieved from <https://www.shopyourway.com/upstart-battery-usb-power-source-addon-for-bosch-gks-18-v-li-battery/503555010>. (Year: 2016).*

“HAWKFORCE Power Tool Battery”. Found online Feb. 2, 2021 at homedeot.com. Reference dated Mar. 21, 2019. Retrieved from <https://www.amazon.com/Replacement-HAWKFORCE-Lithium-ion-Capacity-Reciprocating/dp/B07PWBVQX2>. (Year: 2019).*

* cited by examiner

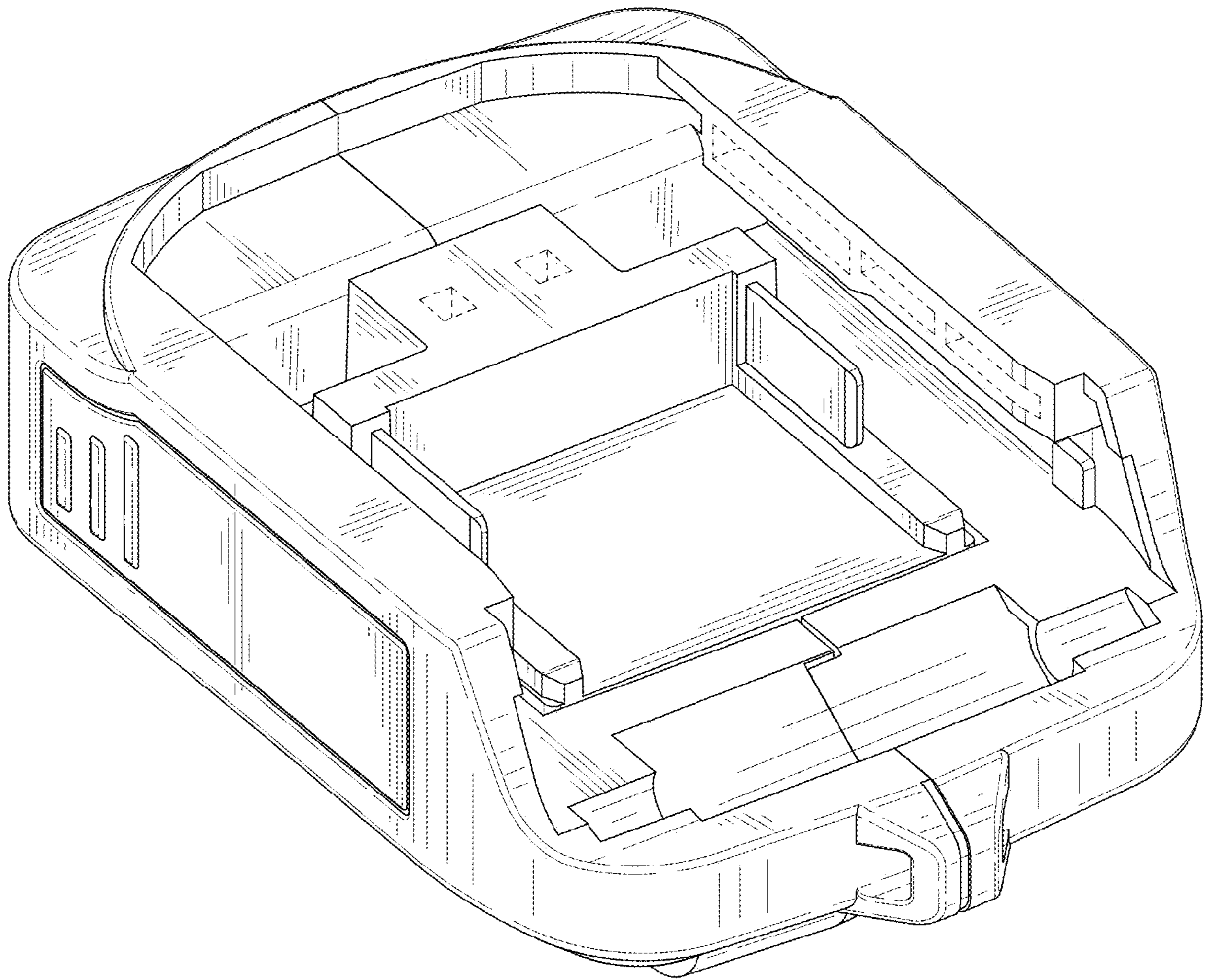


FIG. 1

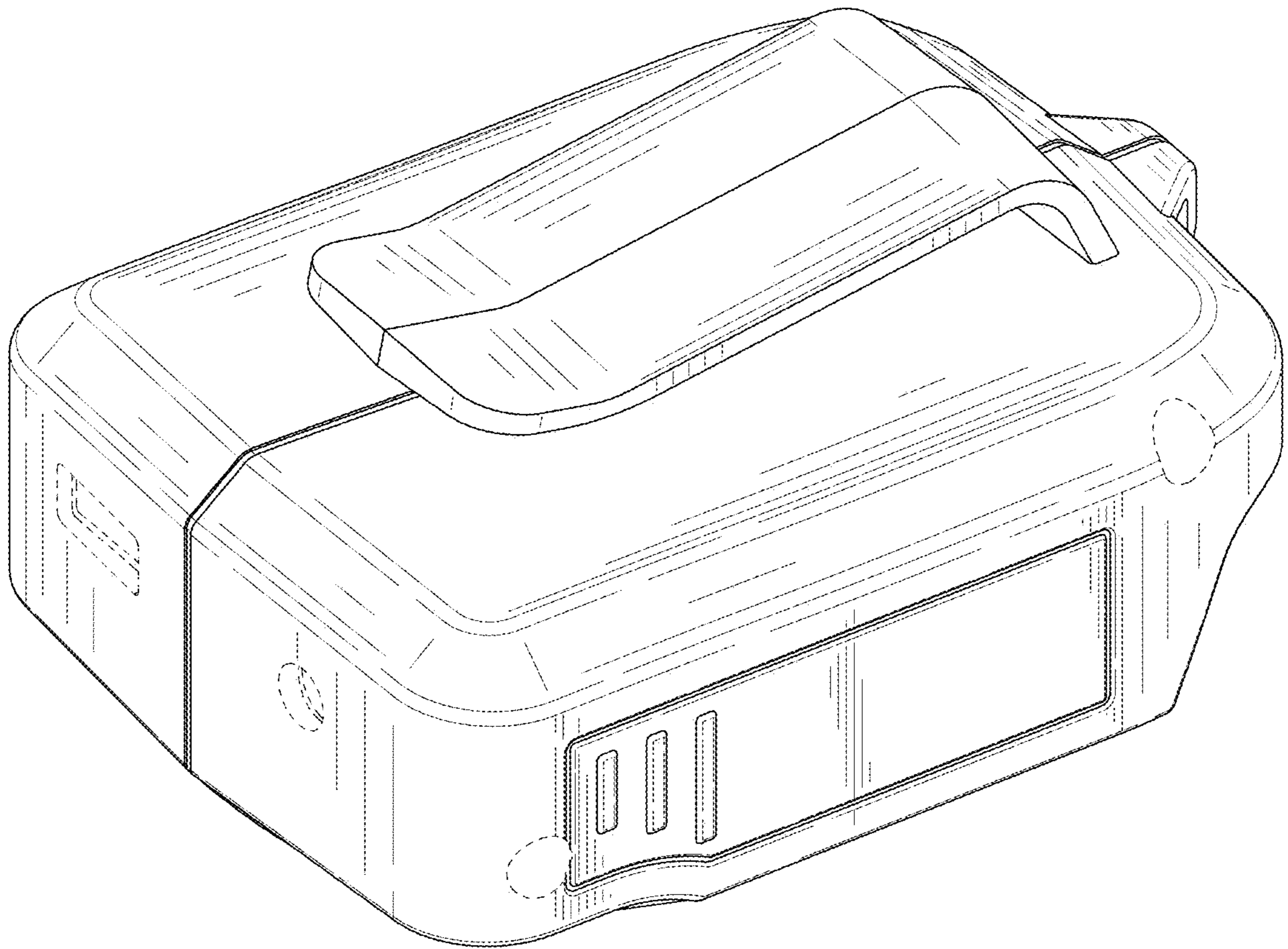


FIG. 2

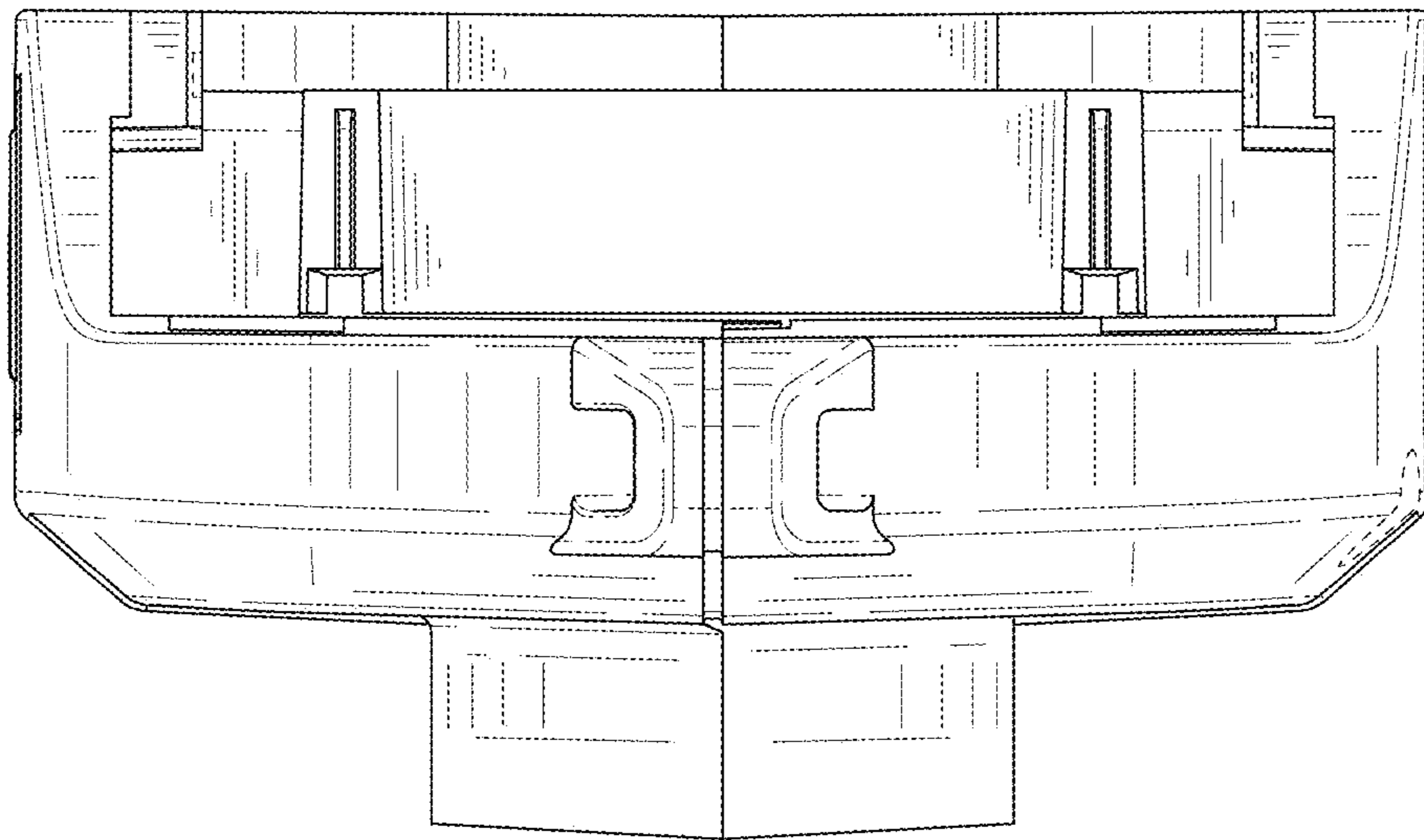


FIG. 3

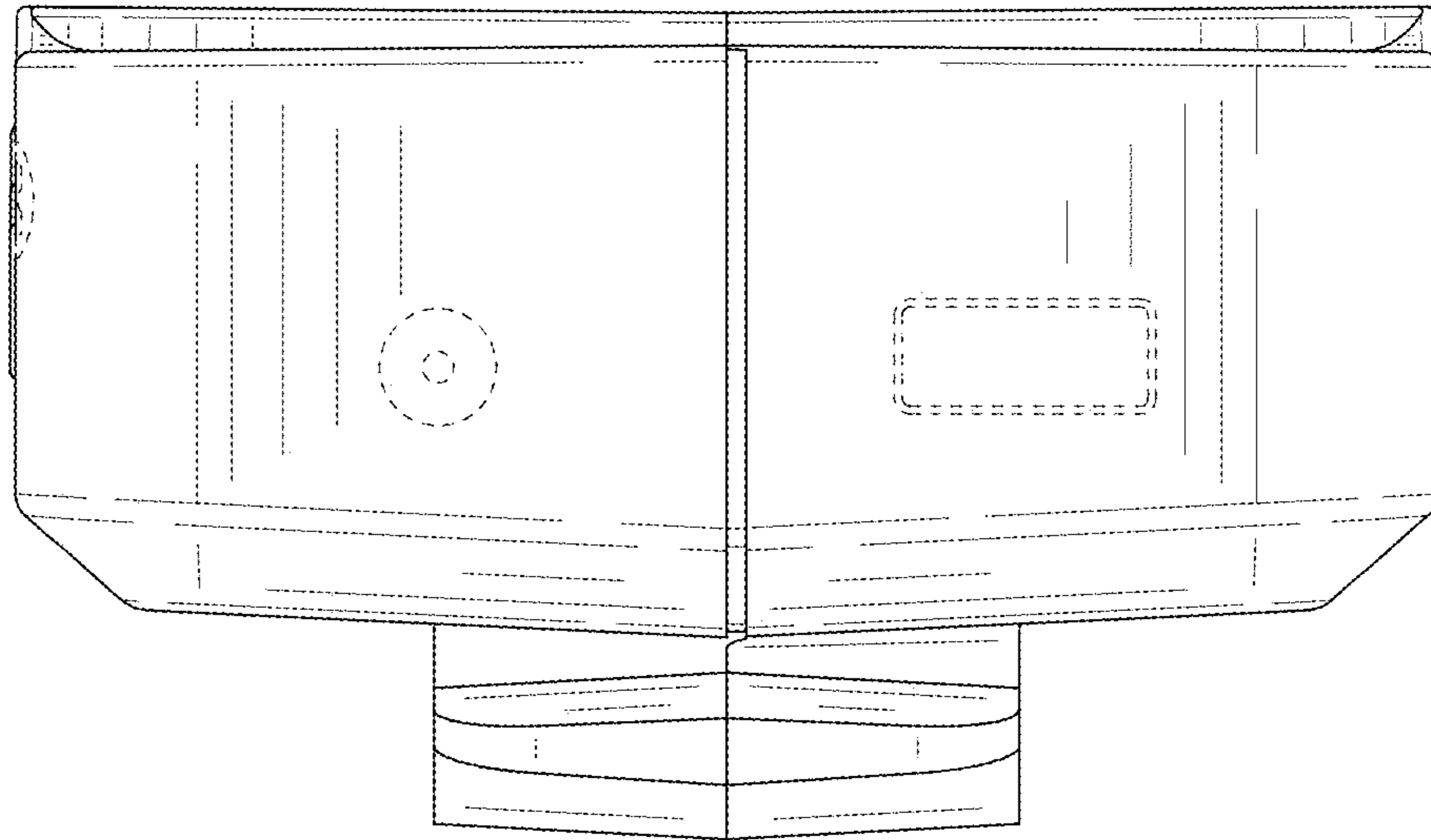


FIG. 4

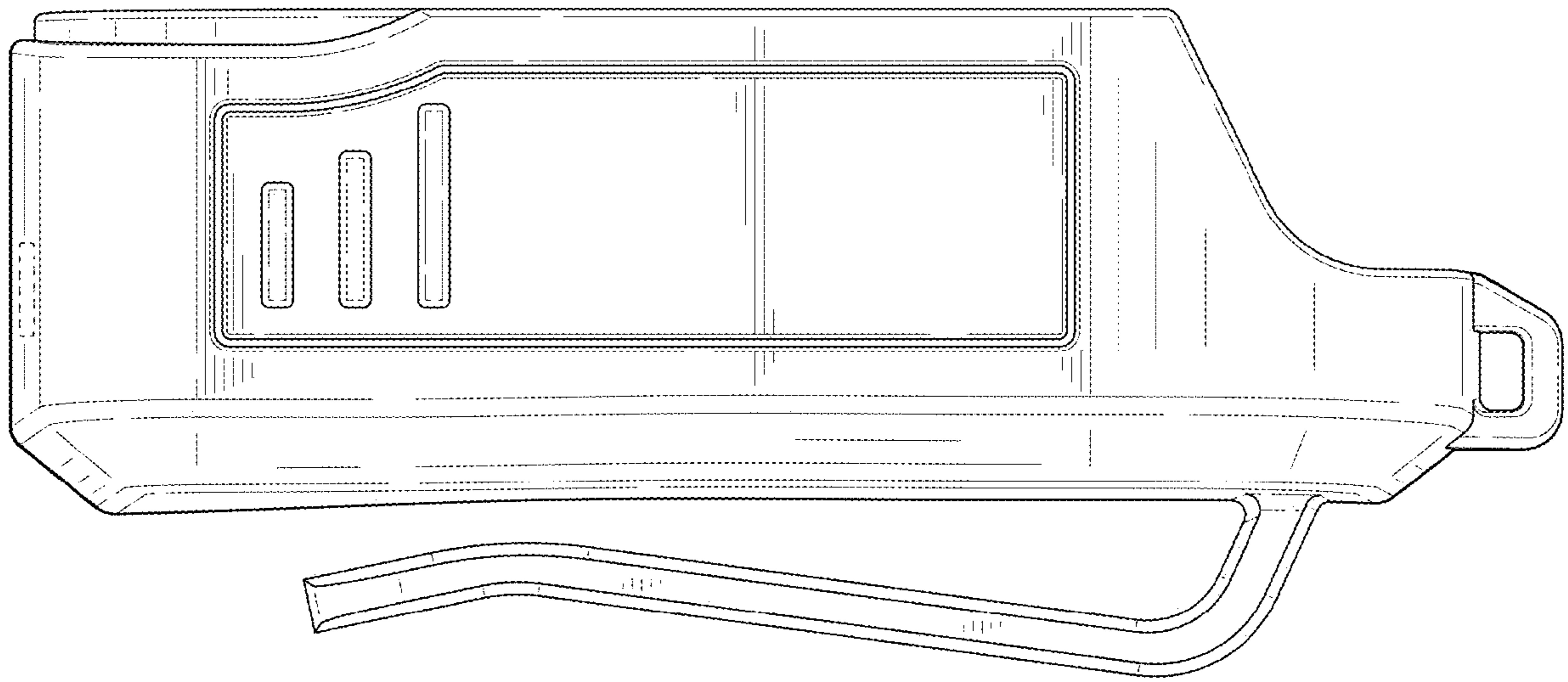


FIG. 5

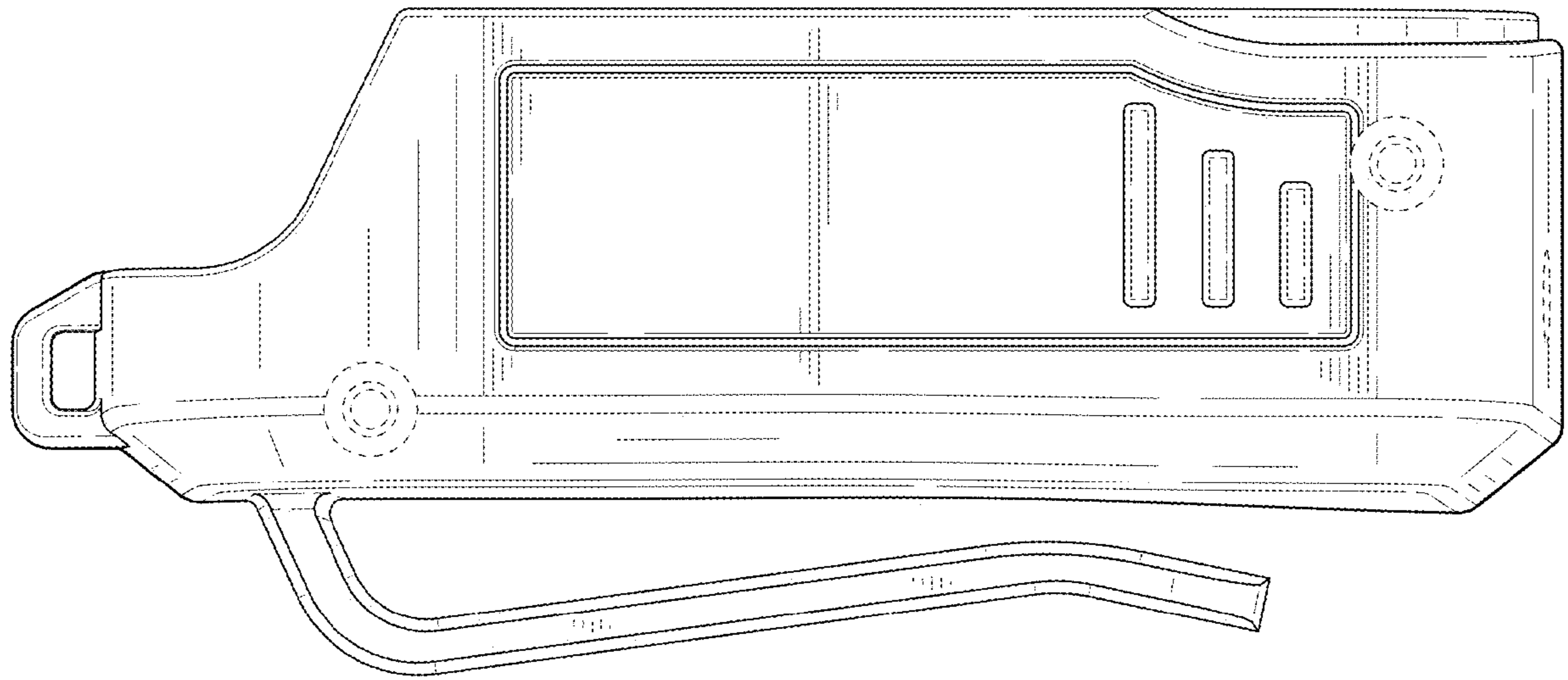


FIG. 6

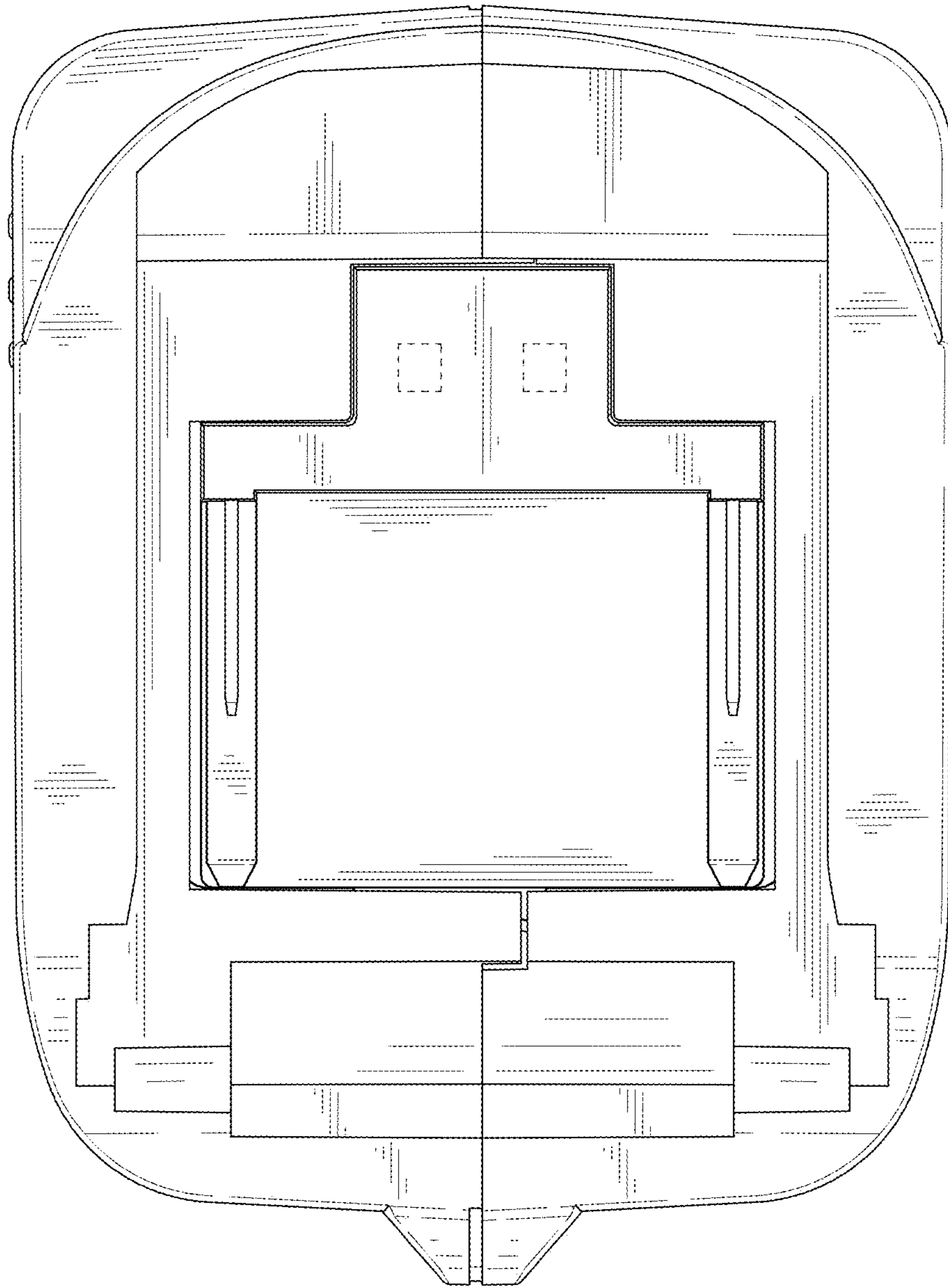


FIG. 7

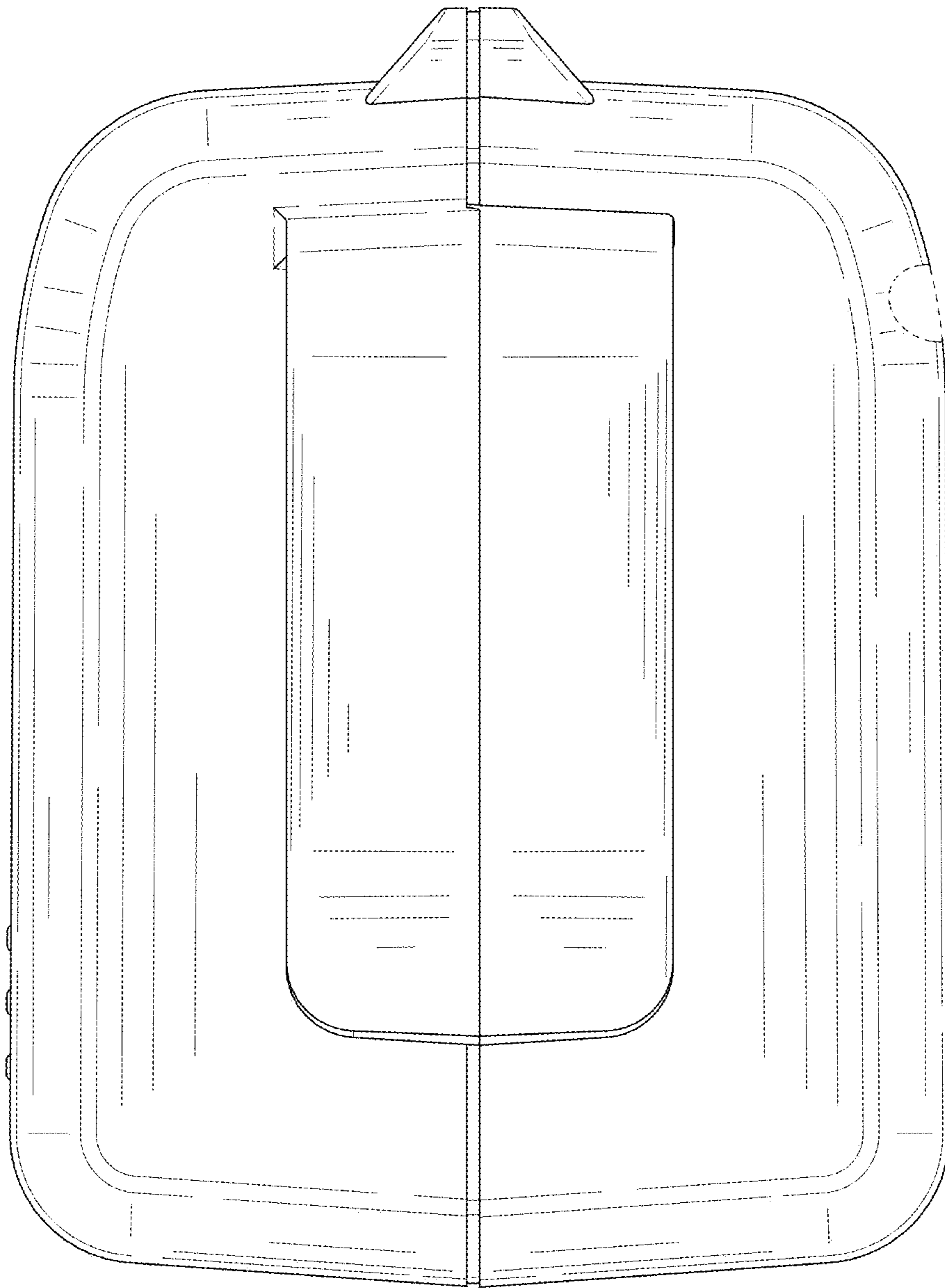


FIG. 8