



US00D919565S

(12) **United States Design Patent** (10) **Patent No.:** **US D919,565 S**
Liu (45) **Date of Patent:** **** May 18, 2021**

(54) **CHARGING BOX FOR WIRELESS EARPHONES**

(71) Applicant: **Shenzhen Eriwin Technology Limited.**, Shenzhen (CN)

(72) Inventor: **Xiabo Liu**, Guangdong (CN)

(**) Term: **15 Years**

(21) Appl. No.: **29/710,679**

(22) Filed: **Oct. 25, 2019**

(51) **LOC (13) Cl.** **13-02**

(52) **U.S. Cl.**
USPC **D13/108; D3/294**

(58) **Field of Classification Search**
USPC D13/103, 107, 108, 118, 119, 184;
D3/201, 208, 218, 266, 273, 274, 294,
D3/301, 302; D14/223, 251, 432, 434
CPC .. H01M 2/02; G06F 1/1628; A45C 2011/001;
B65D 43/16
See application file for complete search history.

(56) **References Cited**

U.S. PATENT DOCUMENTS

D552,029	S	*	10/2007	Kingston	D13/108
D694,708	S	*	12/2013	Kim	D13/108
D729,729	S	*	5/2015	Rabalais	D13/107
D817,640	S	*	5/2018	Dang	D3/294
10,362,823	B1	*	7/2019	Hill	B65D 85/70
D870,451	S	*	12/2019	Birger	D3/201
D881,121	S	*	4/2020	Roberts	D13/108
D888,423	S	*	6/2020	Chen	D3/274
D892,045	S	*	8/2020	Zhang	D13/108
D894,123	S	*	8/2020	Xiong	D13/108
D895,285	S	*	9/2020	Hutchison	D3/294
2016/0101909	A1	*	4/2016	Schennum	A24F 47/002
						206/266
2017/0064429	A1	*	3/2017	Hirsch	H04W 52/0209

OTHER PUBLICATIONS

“CobblePro True Wireless Earbuds”. Found online Dec. 10, 2020 at youtube.com. Reference dated Jun. 19, 2017. Retrieved from https://www.youtube.com/watch?v=3SdlMZAEdY. (Year: 2017).*

(Continued)

Primary Examiner — Kendra Leslie Hamilton
Assistant Examiner — Amanda Christensen

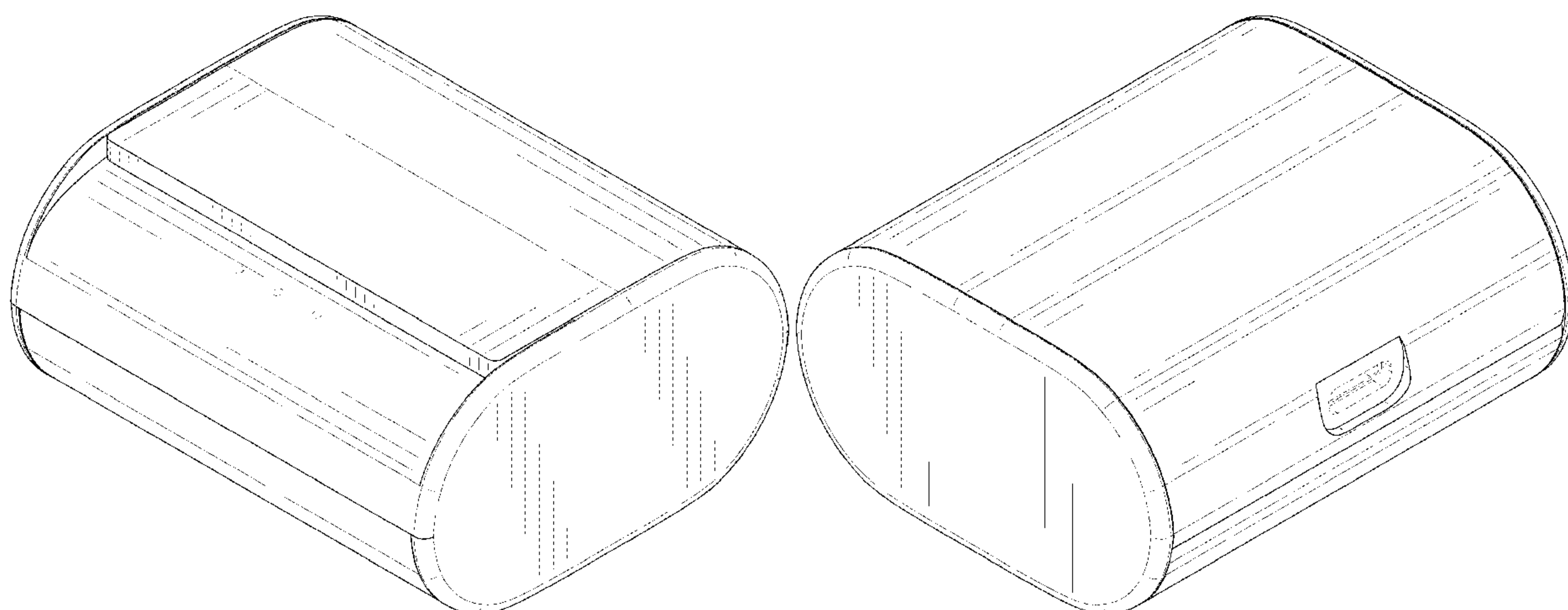
(57) **CLAIM**

The ornamental design for a charging box for wireless earphones, as shown and described.

DESCRIPTION

FIG. 1 is a front, top, right side perspective view of a charging box for wireless earphones, showing my new design closed in a first configuration; FIG. 2 is a rear, bottom, left side perspective view thereof; FIG. 3 is a front elevation view thereof; FIG. 4 is a rear elevation view thereof; FIG. 5 is a left side elevation view thereof; FIG. 6 is a right side elevation view thereof; FIG. 7 is a top plan view thereof; FIG. 8 is a bottom plan view thereof; and, FIG. 9 is a top, front, right side perspective view of the charging box for wireless earphones of FIG. 1, shown open in condition of use in a second configuration. In the drawings, the broken lines on the charging box for wireless earphones depict portions of the charging box for wireless earphones that form no part of the claimed design. In FIG. 9, the broken lines showing earphones depict environmental subject matter only, and form no part of the claimed design.

1 Claim, 9 Drawing Sheets



(56)

References Cited

OTHER PUBLICATIONS

“TaoTronics Bluetooth Headphones”. Found online Dec. 4, 2020 at amazon.com. Reference dated Jan. 18, 2017. Retrieved from https://www.amazon.com/TaoTronics-Bluetooth-Headphones-Waterproof-Earphones/dp/B07H2JNFYZ/ref=sr_1_3 (Year: 2017).*

“Soundmoov 316T Mini Wireless Earbuds with Charging Box”. Found online Dec. 10, 2020 at us.amazon.com. Reference dated Jun. 10, 2017. Retrieved from <https://us.amazon.com/dp/B071WZ4C32>. (Year: 2017).*

* cited by examiner

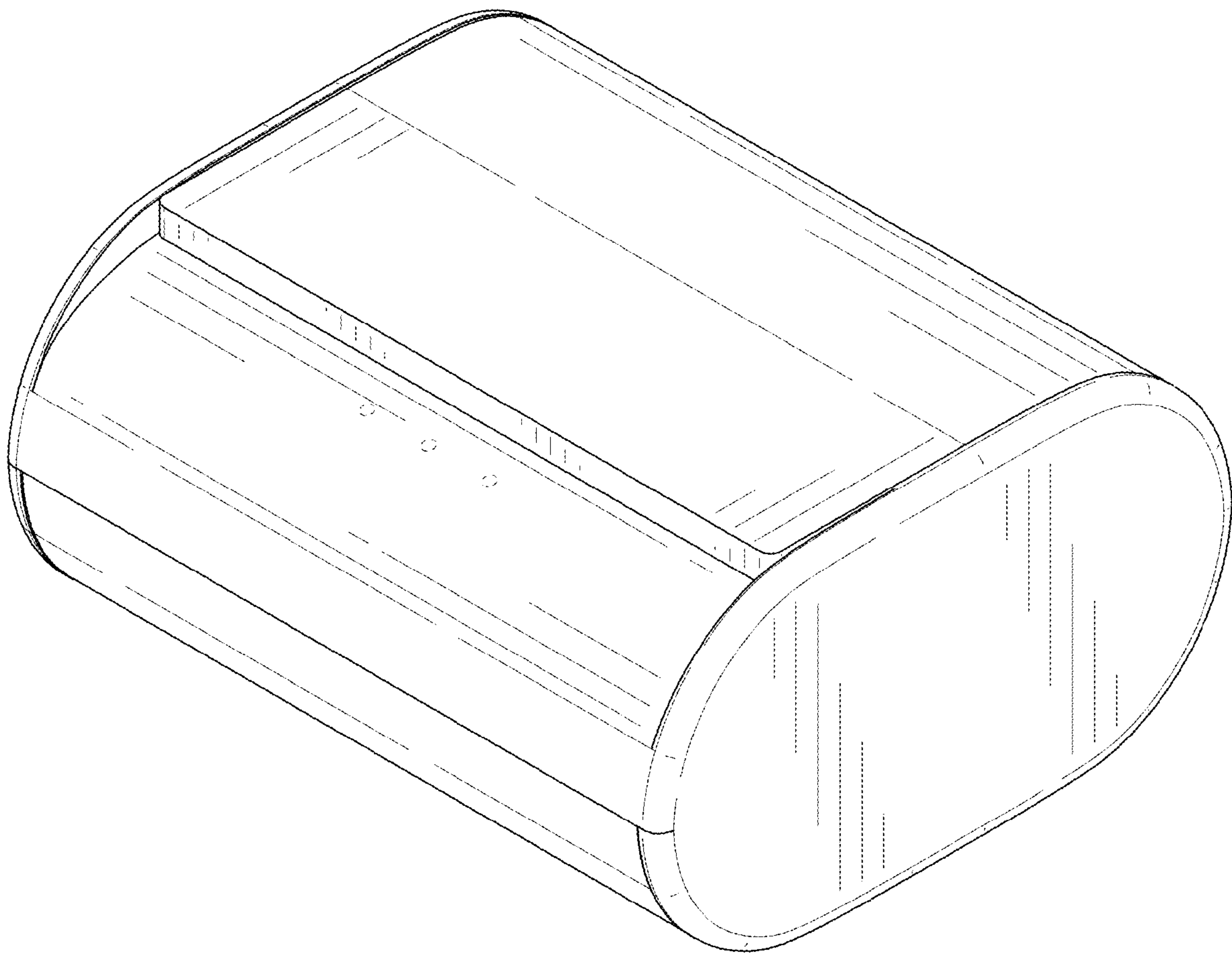


FIG. 1

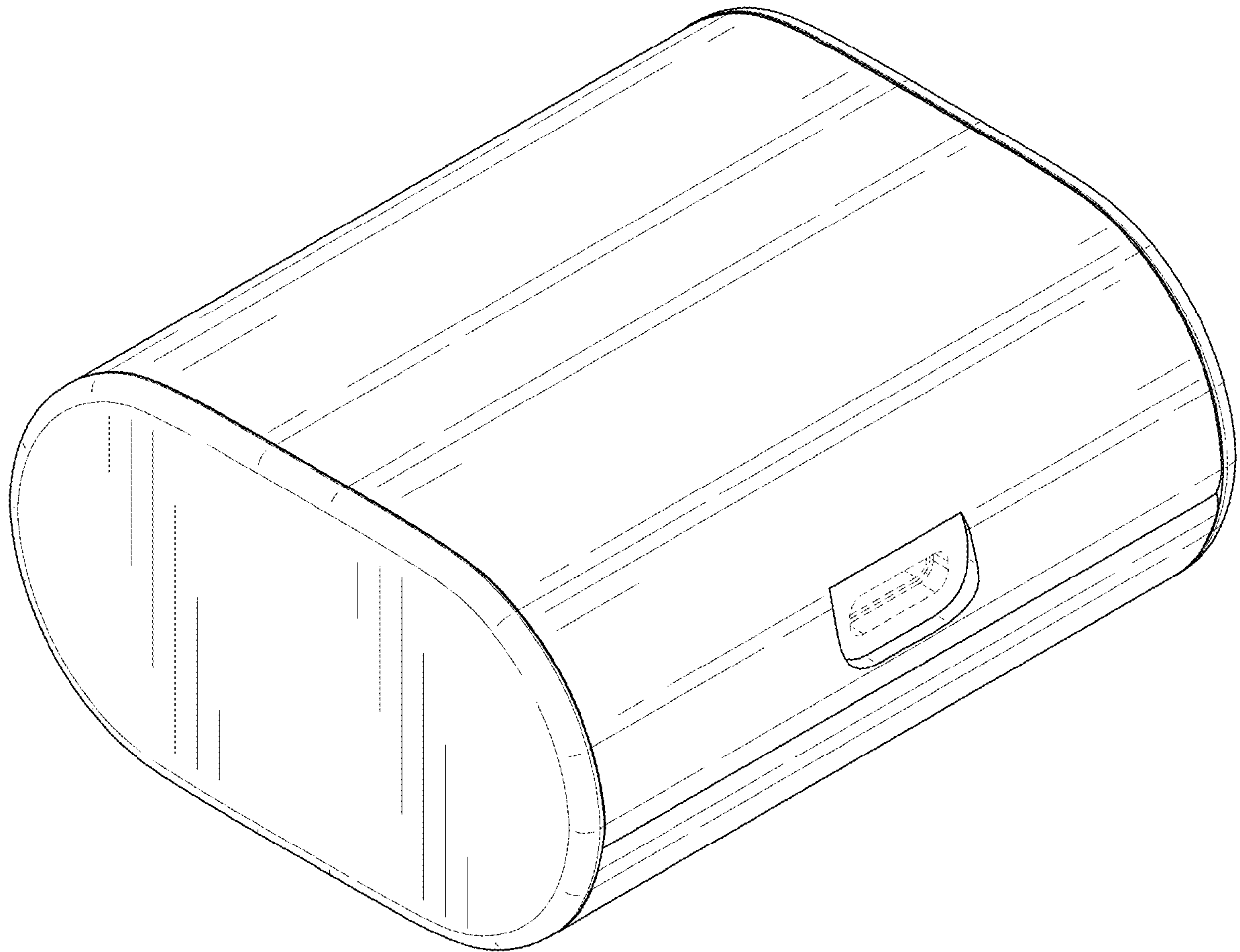


FIG. 2

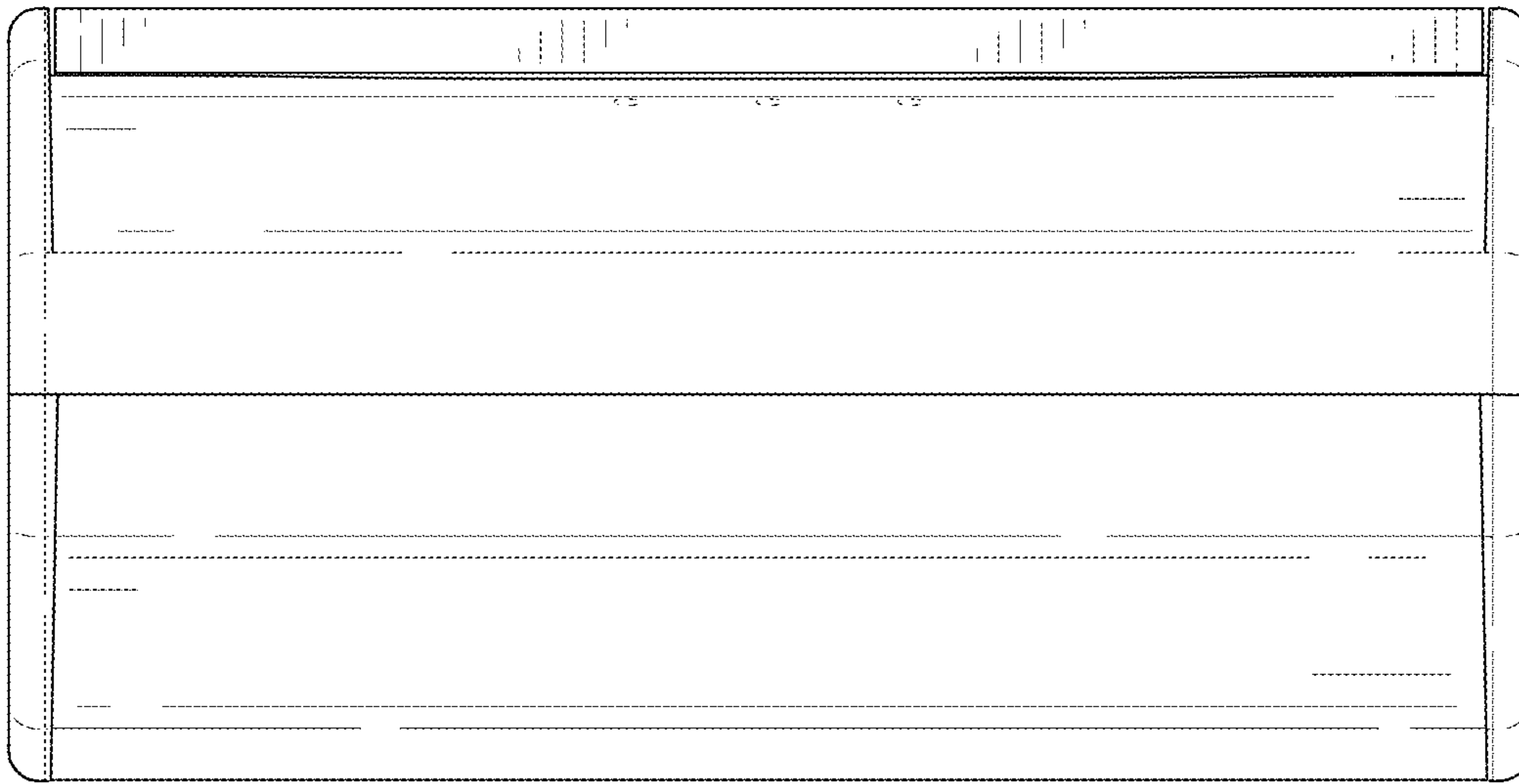


FIG. 3

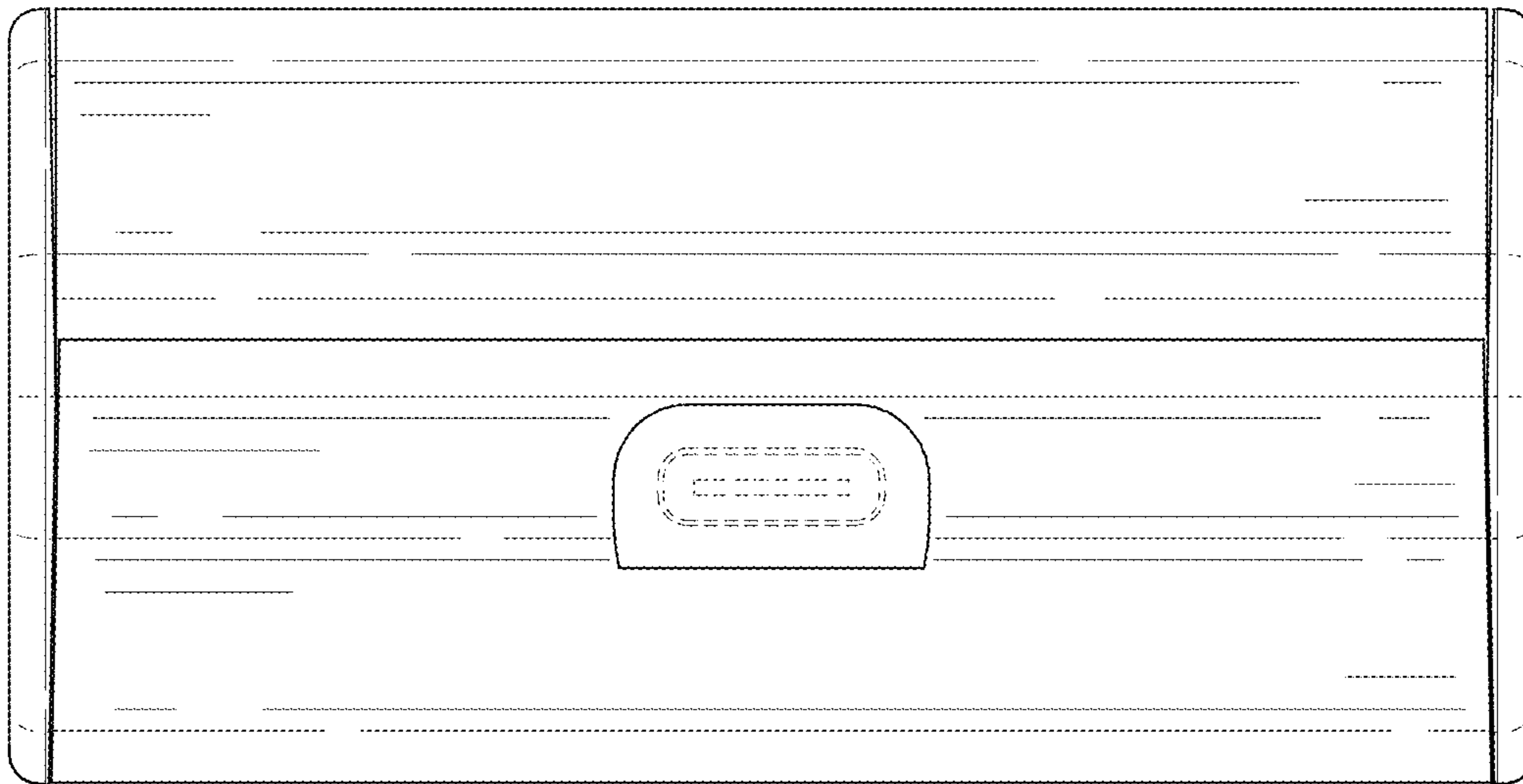


FIG. 4

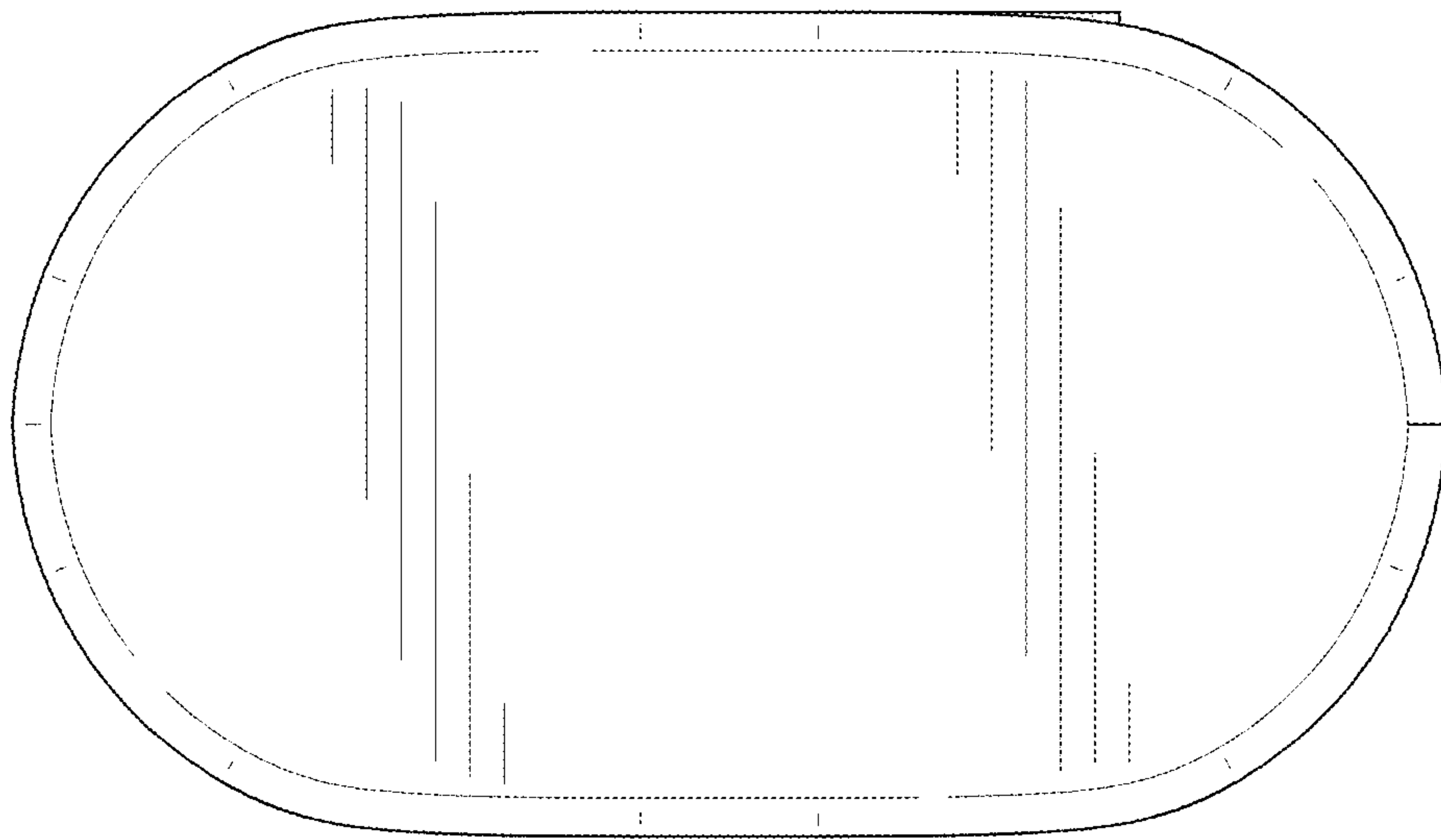


FIG. 5

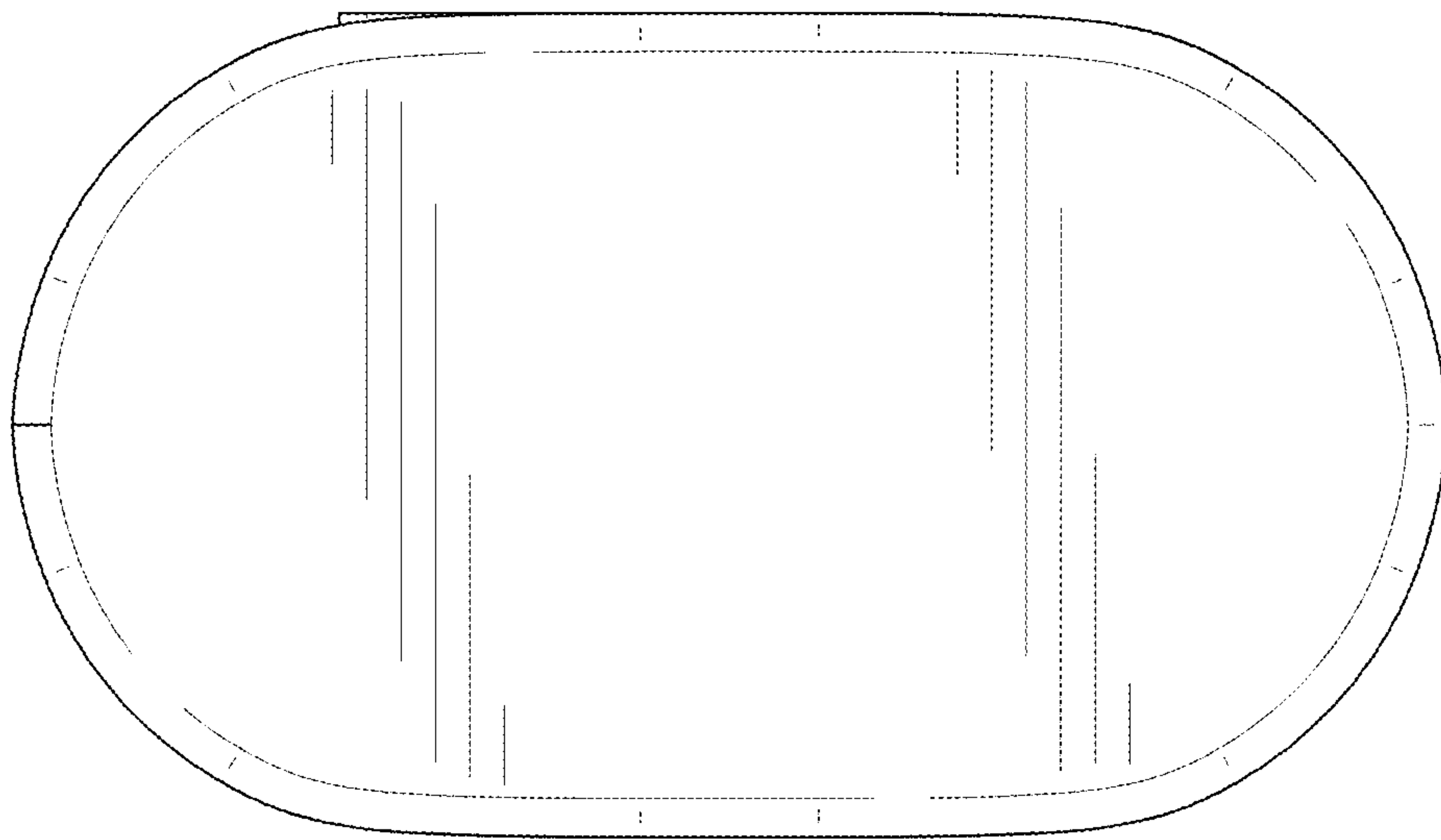


FIG. 6



FIG. 7



FIG. 8

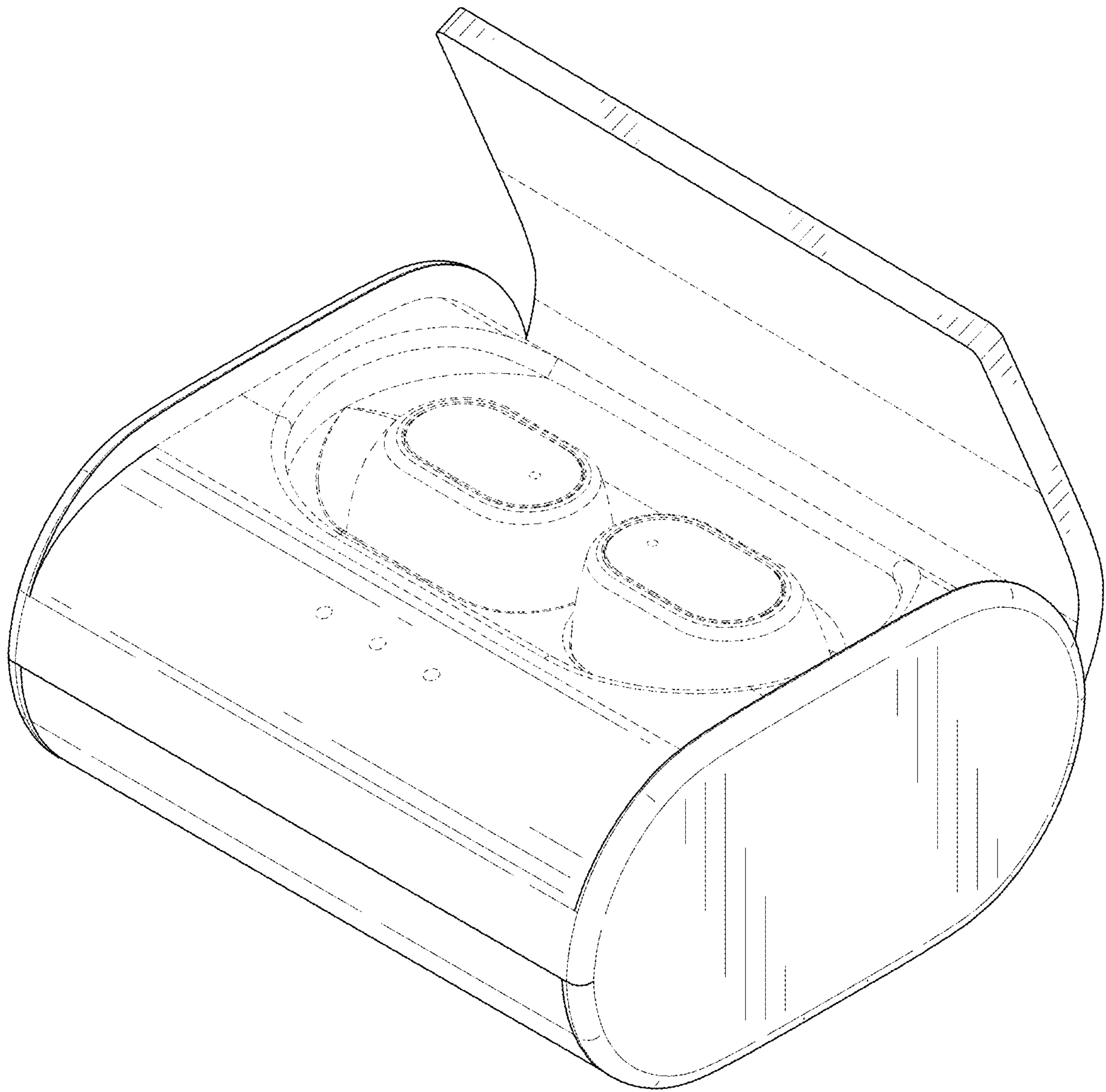


FIG. 9