



US00D919564S

(12) **United States Design Patent**
Ehara et al.

(10) **Patent No.:** **US D919,564 S**

(45) **Date of Patent:** **** May 18, 2021**

(54) **BATTERY CHARGER FOR ELECTRONIC DEVICE**

(71) Applicant: **NINTENDO CO., LTD.**, Kyoto (JP)

(72) Inventors: **Yui Ehara**, Kyoto (JP); **Junichiro Miyatake**, Kyoto (JP)

(73) Assignee: **Nintendo Co., Ltd.**, Kyoto (JP)

(**) Term: **15 Years**

(21) Appl. No.: **29/659,931**

(22) Filed: **Aug. 14, 2018**

(30) **Foreign Application Priority Data**

Mar. 2, 2018 (JP) 2018-004406

(51) **LOC (13) Cl.** **13-02**

(52) **U.S. Cl.**
USPC **D13/108**

(58) **Field of Classification Search**

USPC D13/103, 107-110, 118-119, 184, 199;
D14/251, 253, 432, 434

CPC H02J 7/0026; H02J 7/0042; H02J 7/0044;
H02J 7/0045; H02J 7/0013; H02J 7/0003;
H02J 50/00; H02J 50/10; H02J 50/12;
H02J 50/80

See application file for complete search history.

(56) **References Cited**

U.S. PATENT DOCUMENTS

D439,218 S *	3/2001	Yu	D13/103
D446,497 S *	8/2001	Yu	D13/103
D460,411 S *	7/2002	Wang	D13/103
D489,325 S *	5/2004	Nakamura	D13/110
D517,007 S *	3/2006	Yong-Jian	D13/108
D523,847 S *	6/2006	Naruki	D13/108
D583,315 S *	12/2008	Kujawski	D13/107

D606,545 S *	12/2009	Salmon	D13/108
D613,685 S *	4/2010	Ju	D13/108
D631,007 S *	1/2011	Smith	D13/108
D642,121 S *	7/2011	Lee	D13/108
D721,649 S *	1/2015	Tsai	D13/108
D769,186 S *	10/2016	Yang	D13/108
D788,035 S *	5/2017	Bang	D13/108
D814,412 S *	4/2018	Georgiades	D13/108
D817,874 S *	5/2018	Tsai	D13/108
D818,994 S *	5/2018	Yun	D14/224

(Continued)

Primary Examiner — Rosemary K Tarcza

(74) *Attorney, Agent, or Firm* — Nixon & Vanderhye PC

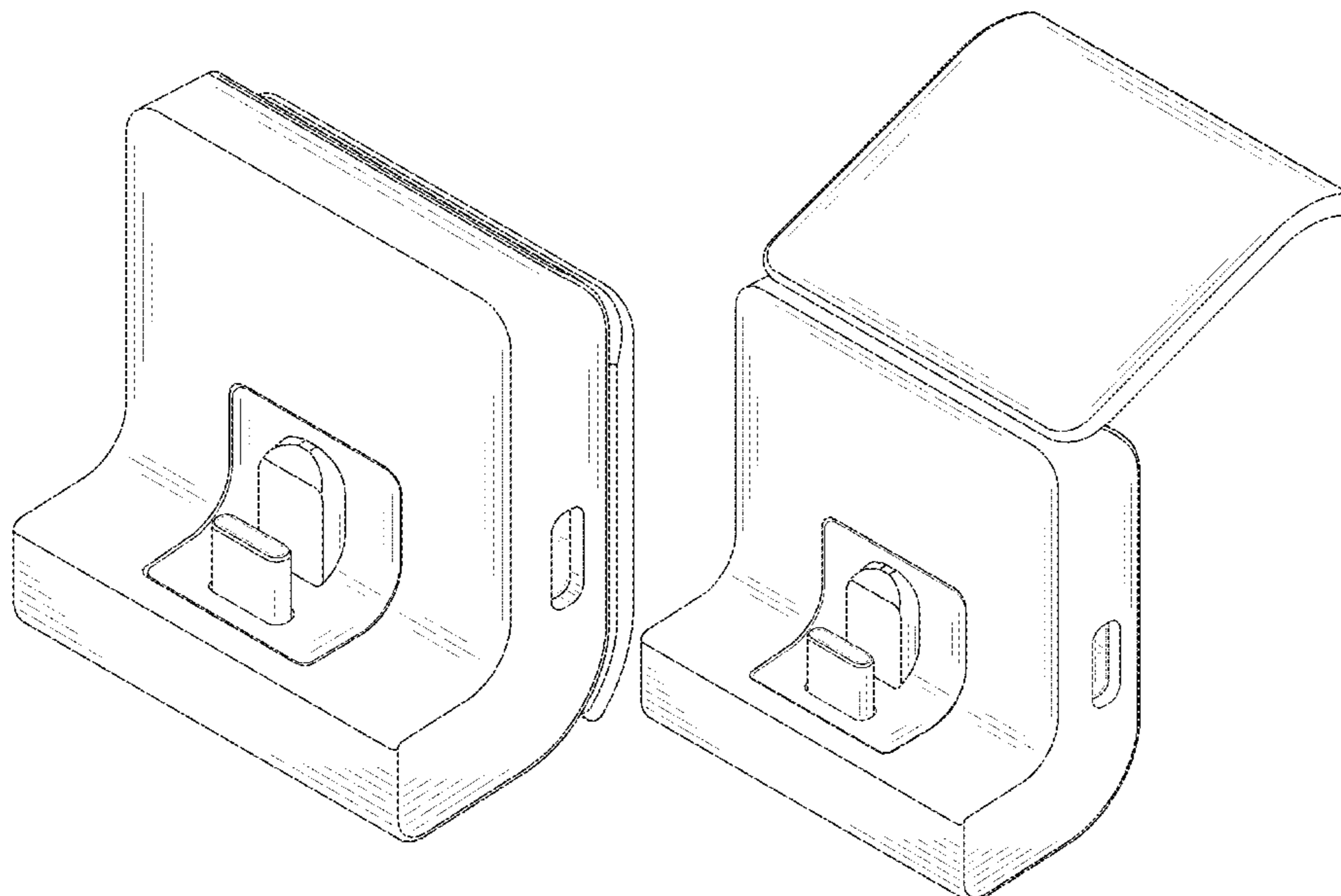
(57) **CLAIM**

The ornamental design for a battery charger for an electronic device, as shown and described.

DESCRIPTION

FIG. 1 is a front side perspective view of a battery charger for an electronic device showing our new design;
 FIG. 2 is a back side perspective view thereof;
 FIG. 3 is a front view thereof;
 FIG. 4 is a top view thereof;
 FIG. 5 is a back view thereof;
 FIG. 6 is a bottom view thereof;
 FIG. 7 is a right view thereof;
 FIG. 8 is a left view thereof;
 FIG. 9 is a front perspective view thereof, shown with a stand rotated;
 FIG. 10 is a back side perspective view thereof, shown with a stand rotated; and,
 FIG. 11 is a front perspective view thereof, shown in a state of use with an electronic device illustrated in broken lines. The broken lines shown in FIGS. 1, 4, 7, and 9 are for the purpose of illustrating environmental structure and form no part of the claimed design. The electronic device shown in broken lines in FIG. 11 forms no part of the claimed design.

1 Claim, 11 Drawing Sheets



(56)

References Cited

U.S. PATENT DOCUMENTS

D819,563	S *	6/2018	Wei	D13/108
D835,078	S *	12/2018	Yun	D14/224
D835,079	S *	12/2018	Yun	D14/224
D835,611	S *	12/2018	Yun	D14/224
D849,130	S *	5/2019	Yaginuma	D18/12
D870,038	S *	12/2019	Zeng	D13/108
2014/0191707	A1 *	7/2014	Carreon	H04M 1/04 320/107
2015/0362953	A1 *	12/2015	Shindo	H02J 7/0044 361/679.41
2019/0273350	A1 *	9/2019	Okazaki	H04B 1/3877

* cited by examiner

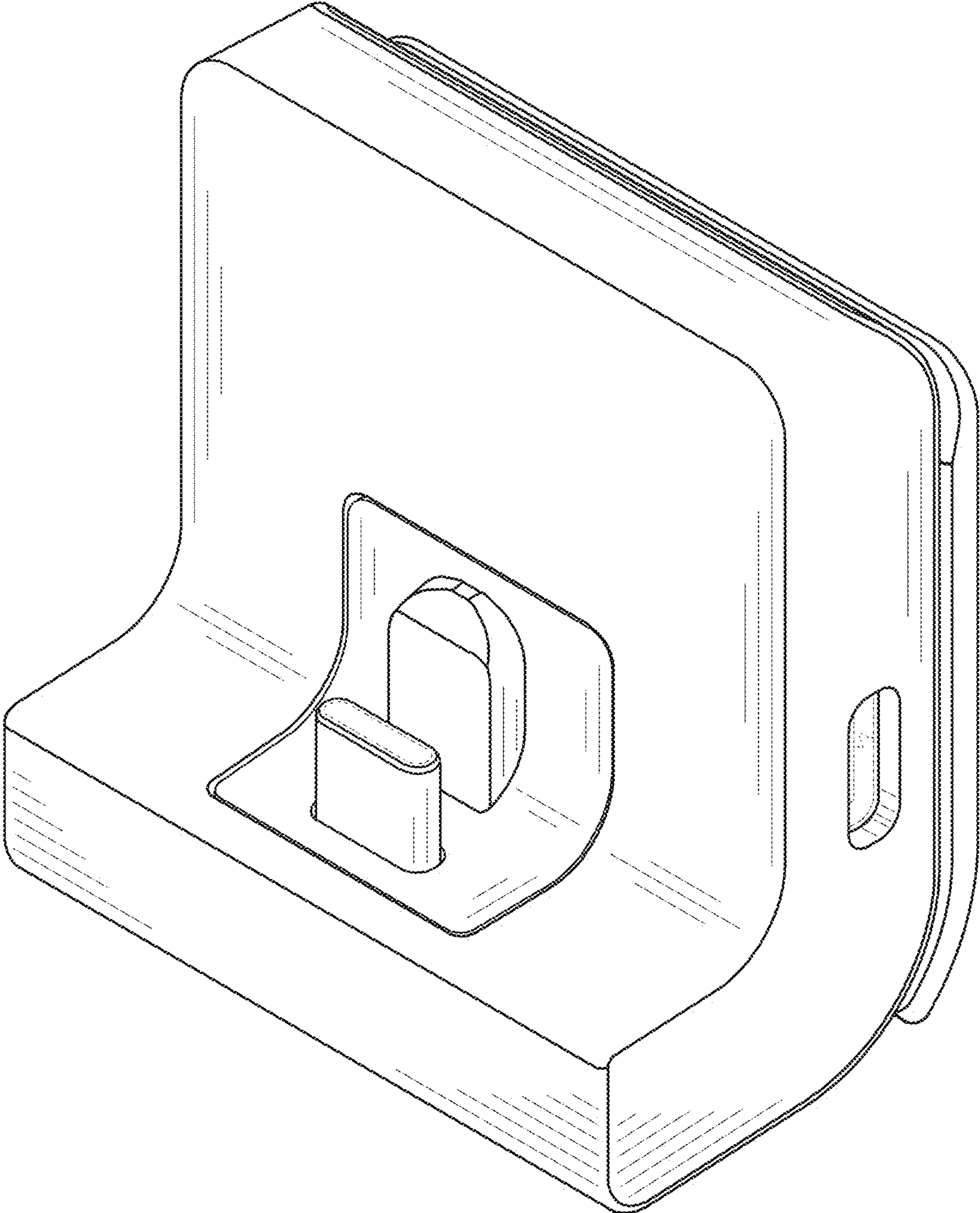


FIG. 1

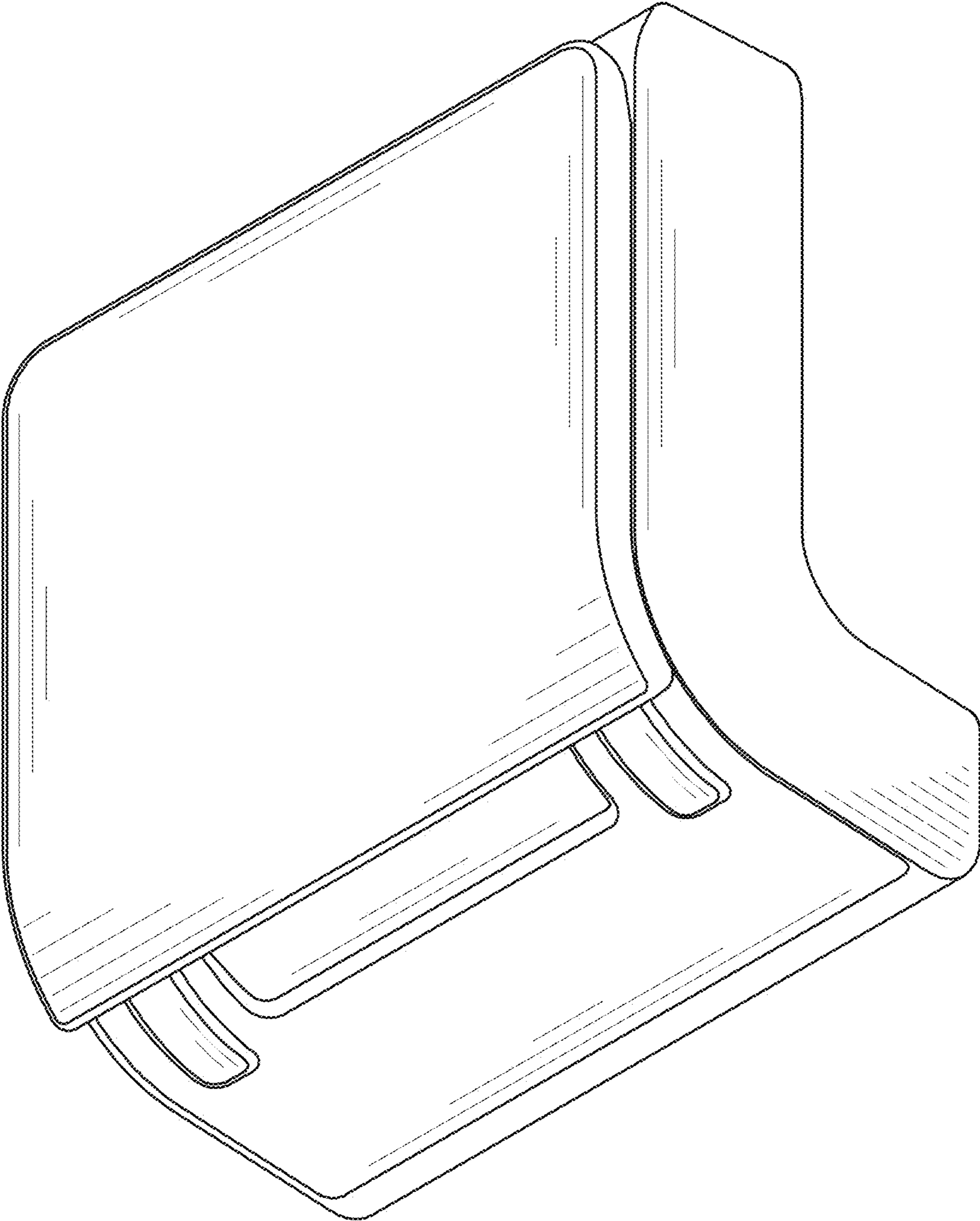


FIG. 2

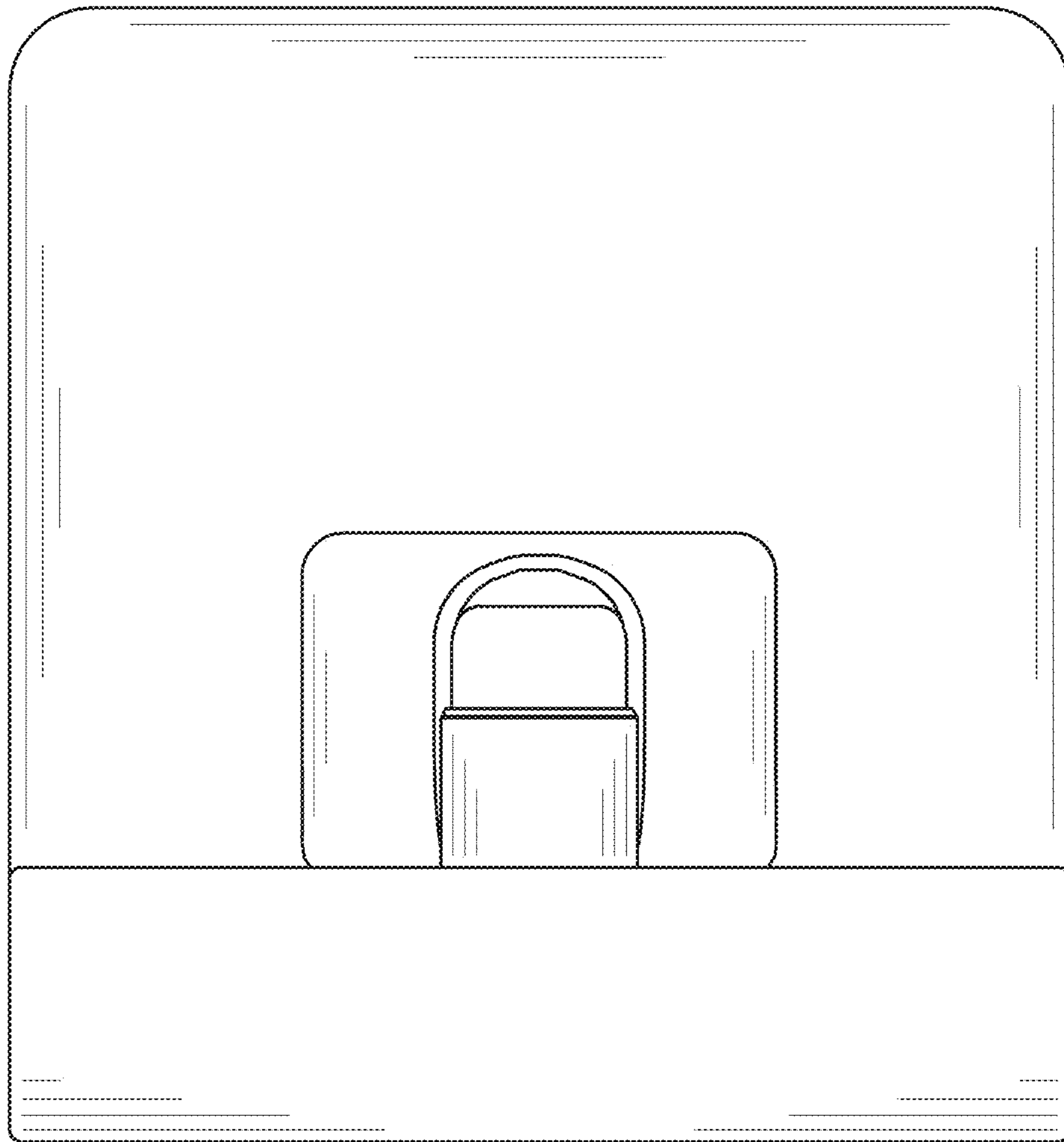


FIG. 3

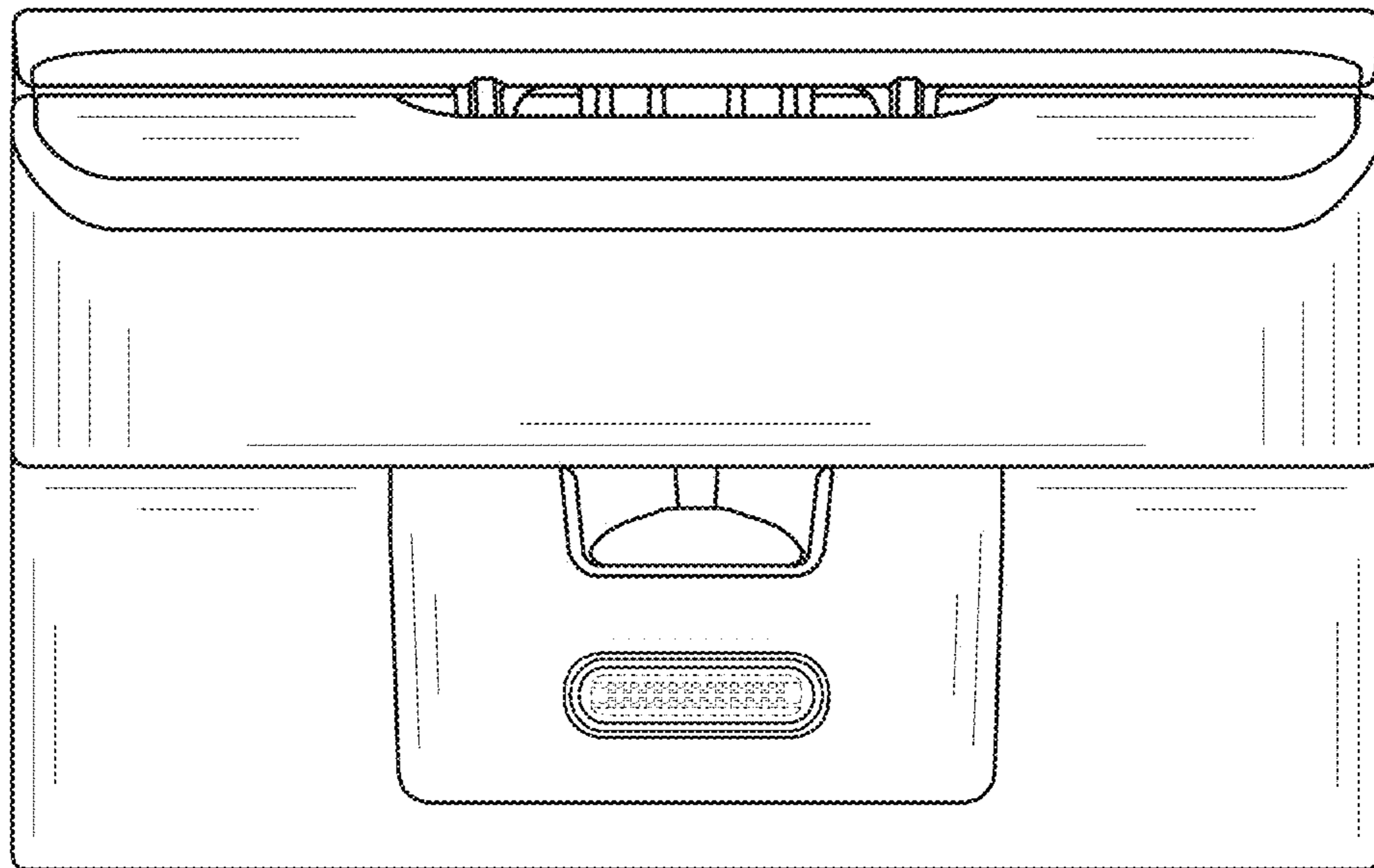


FIG. 4

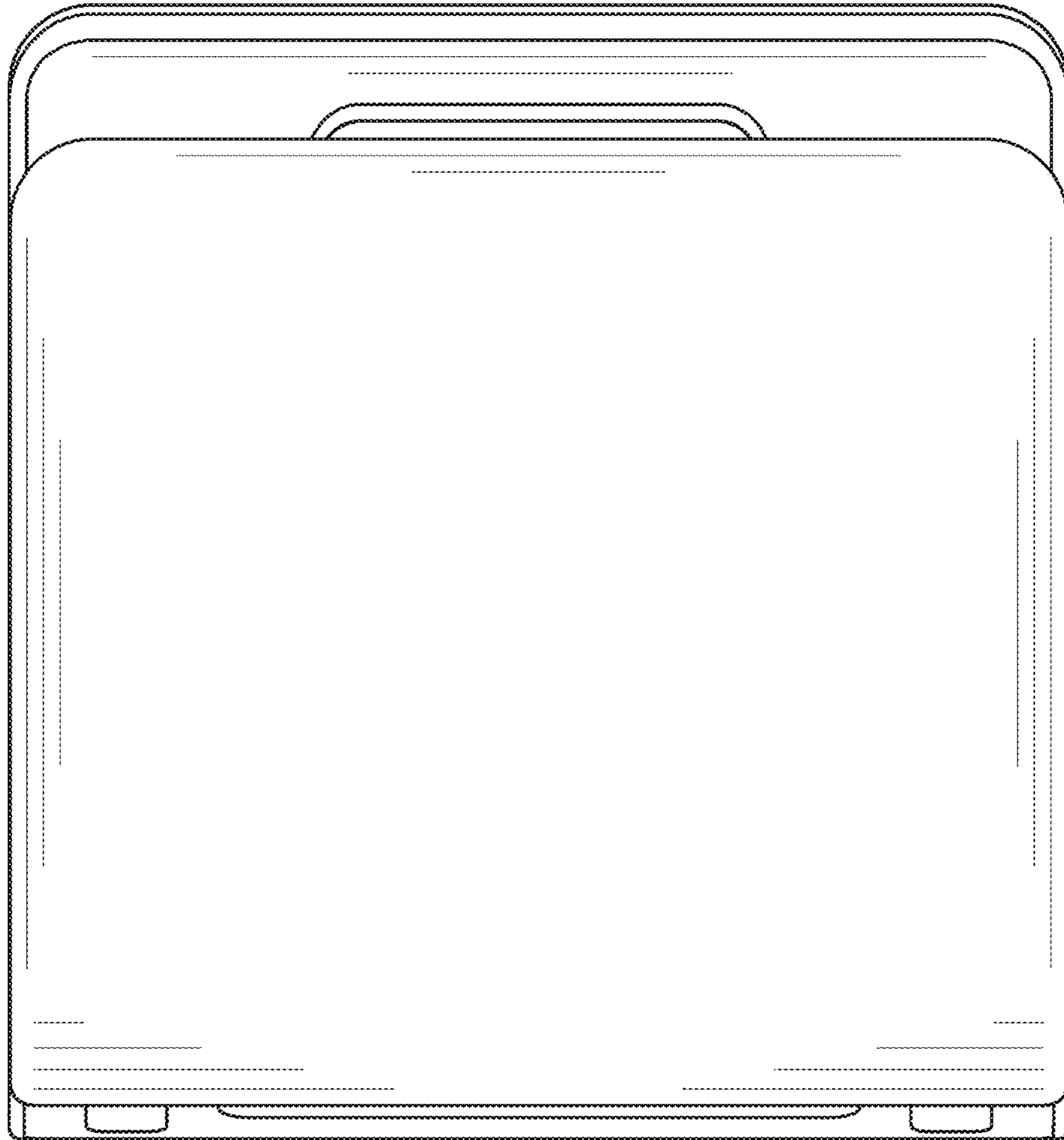


FIG. 5

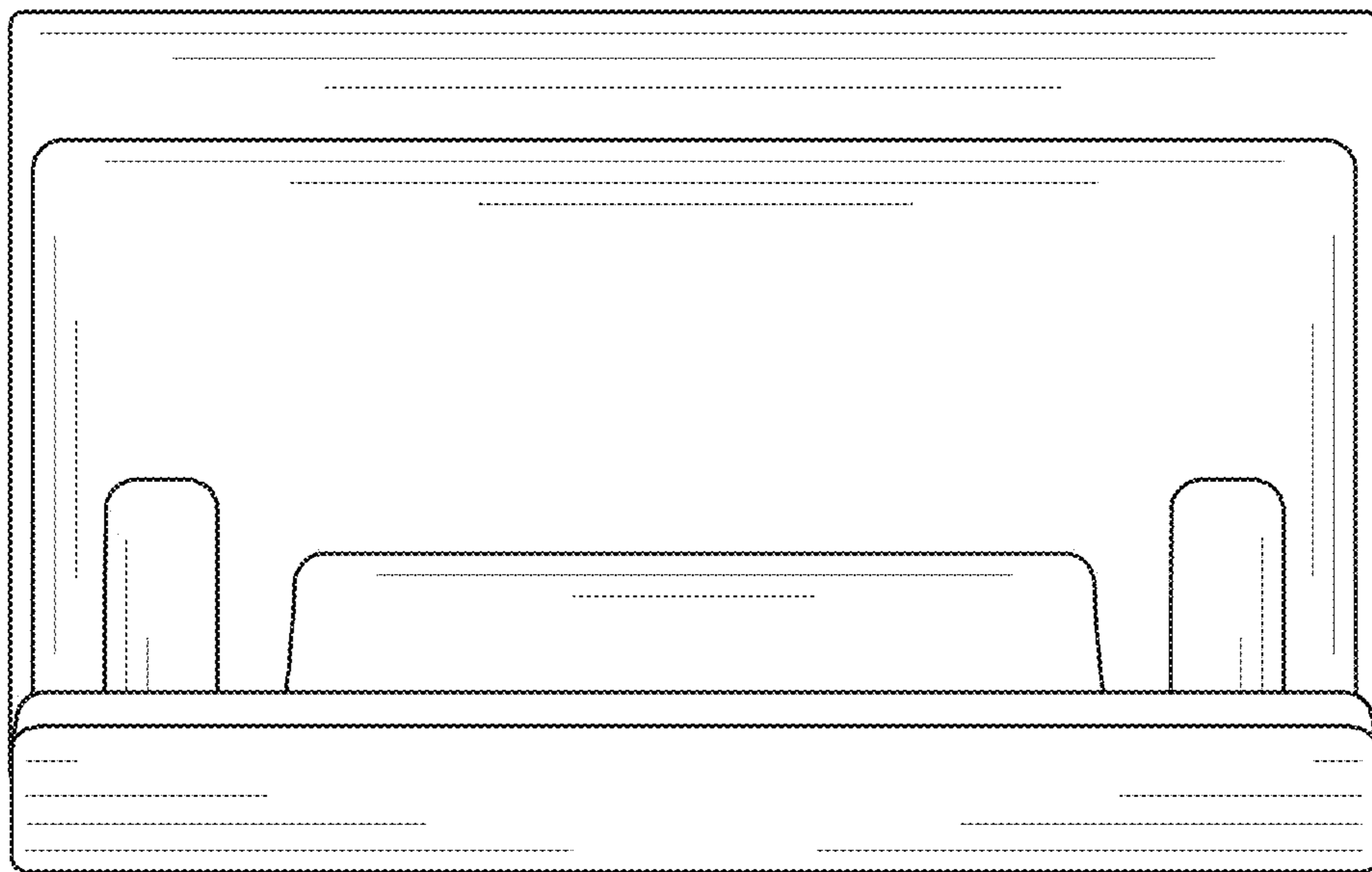


FIG. 6

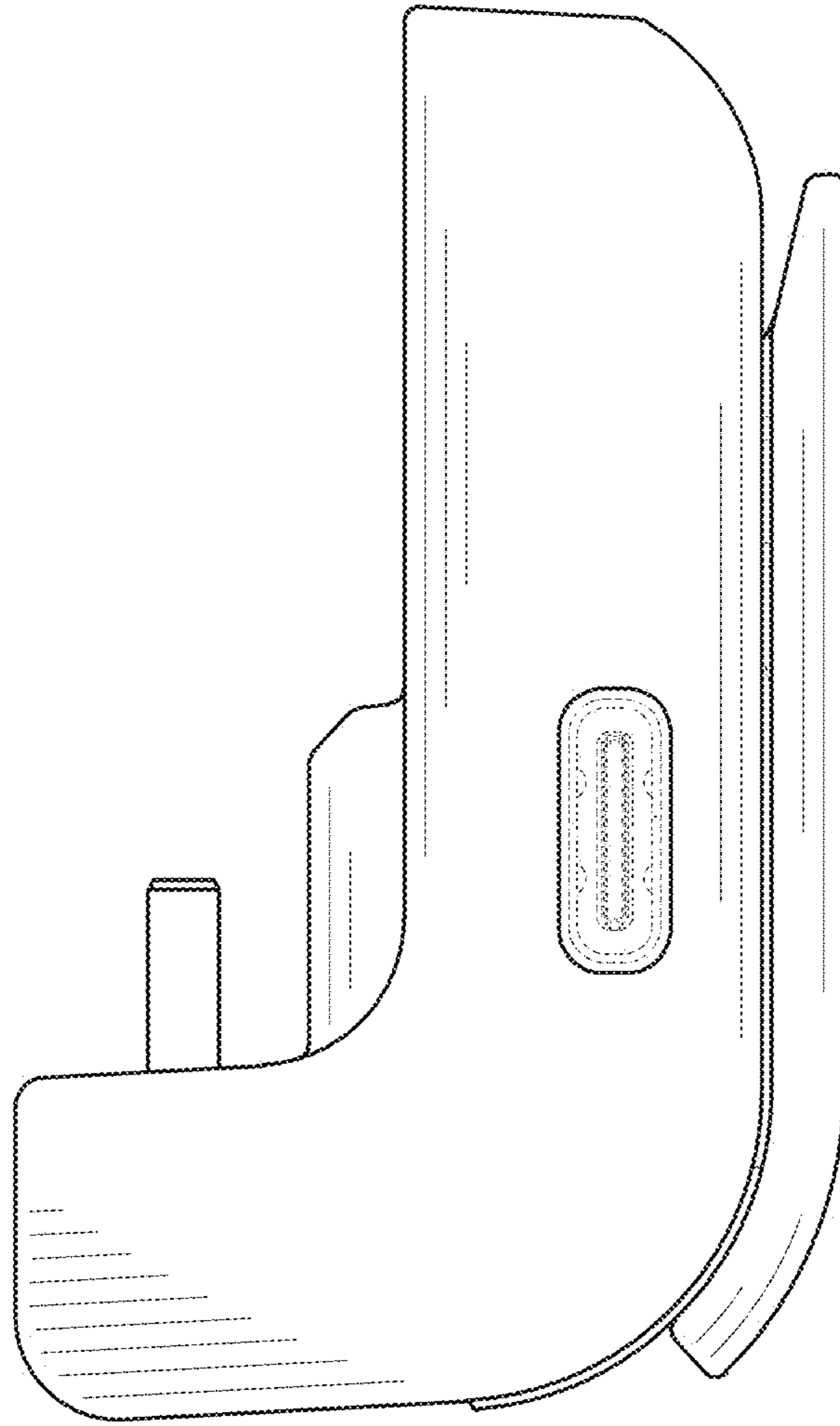


FIG. 7

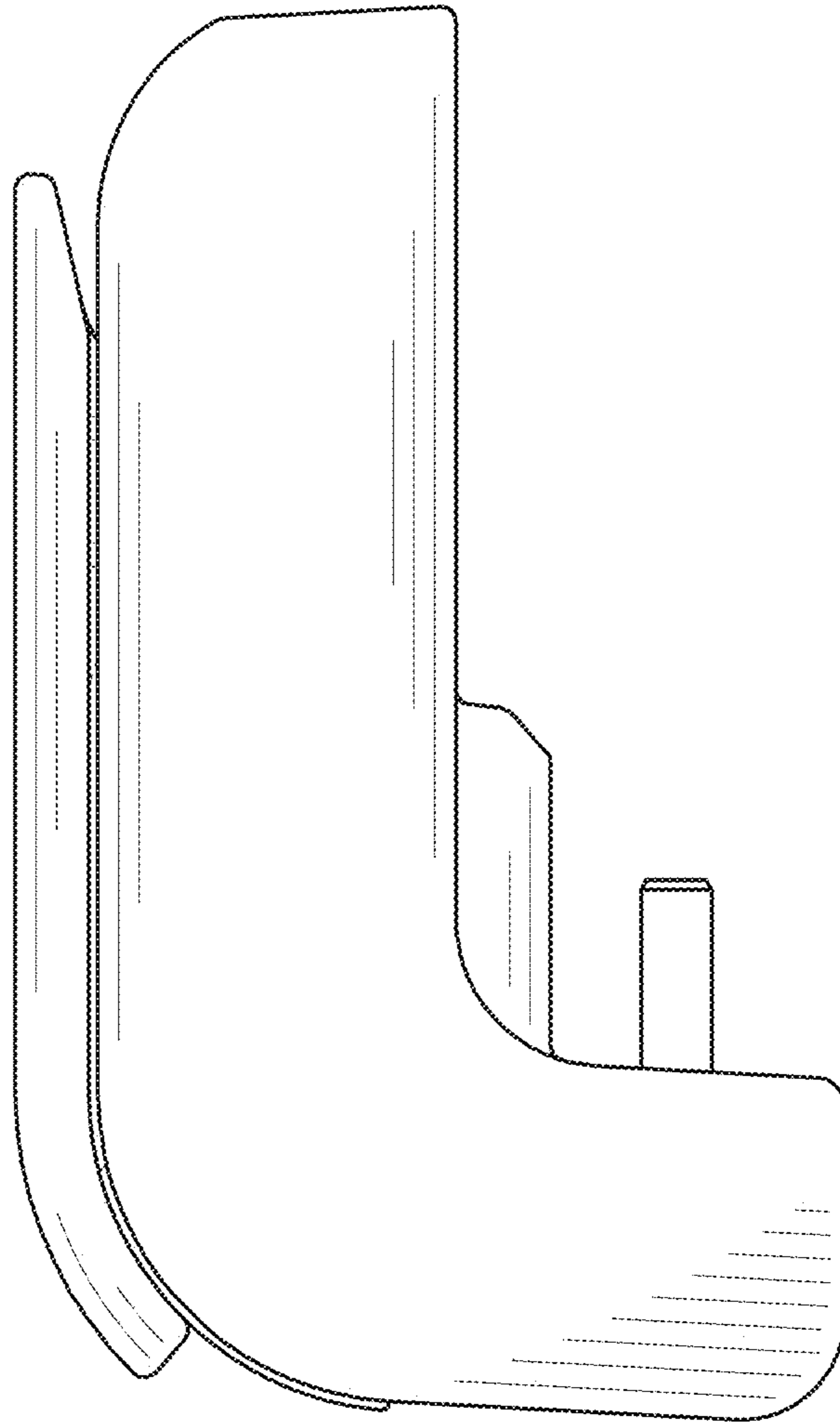


FIG. 8

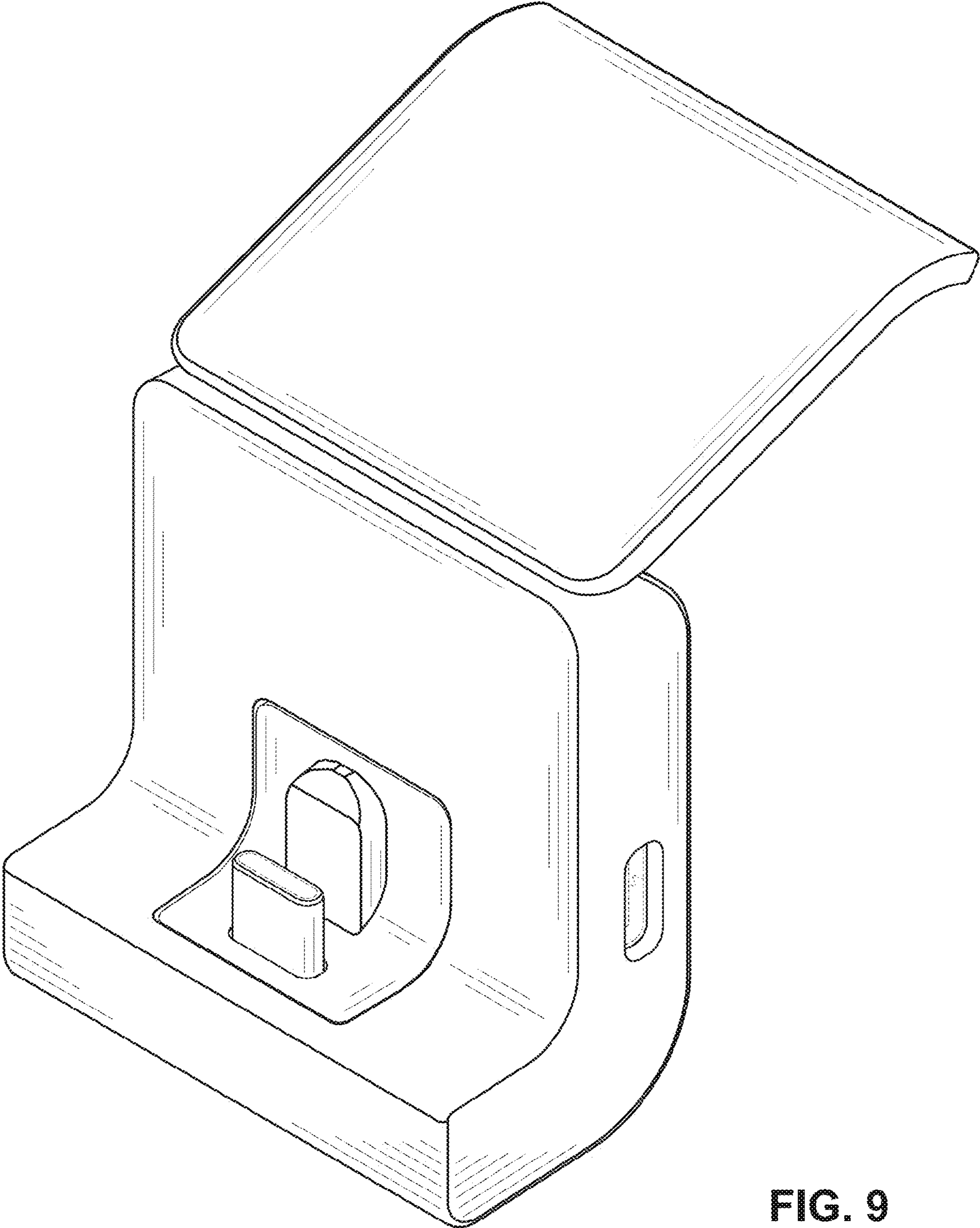


FIG. 9

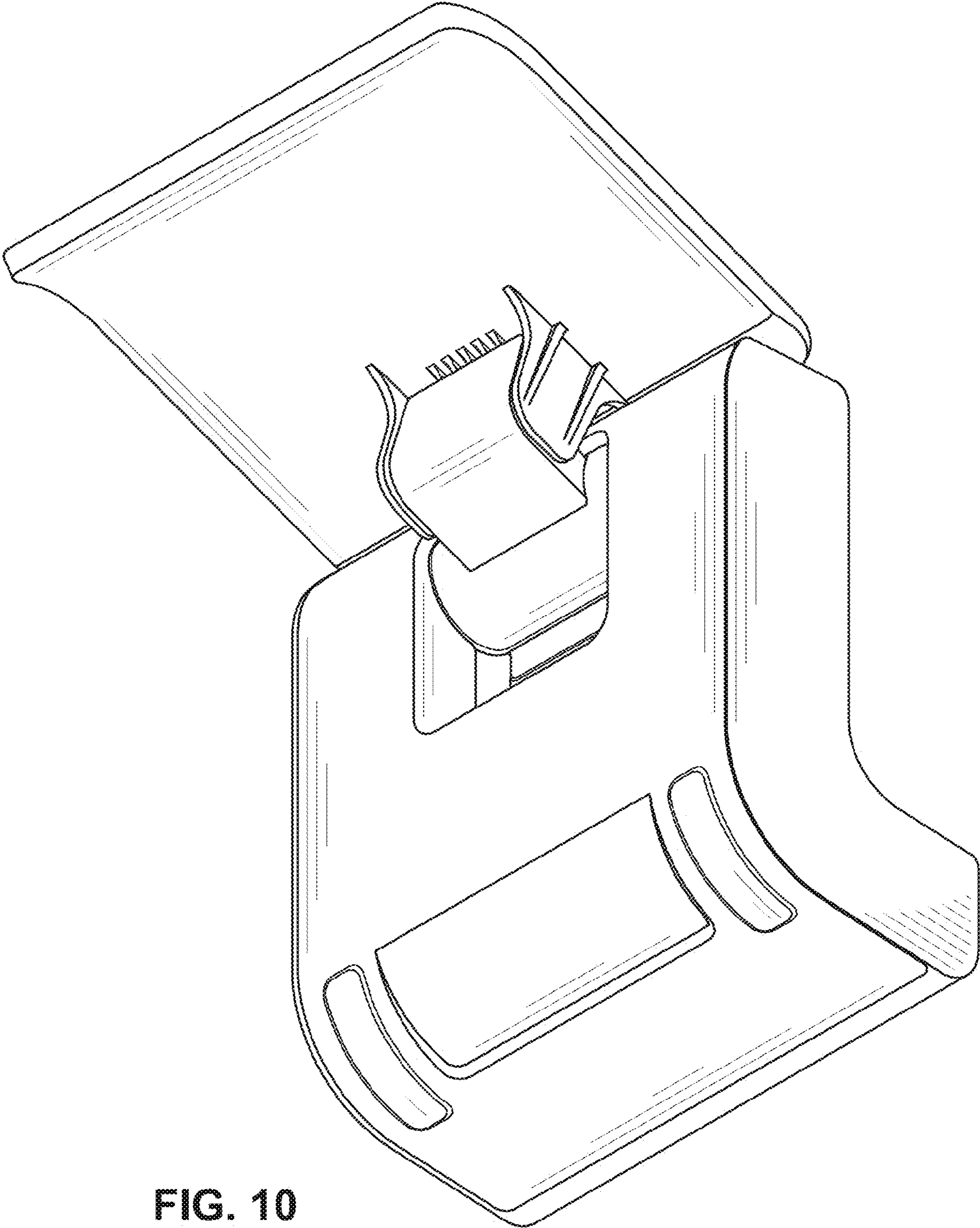


FIG. 10

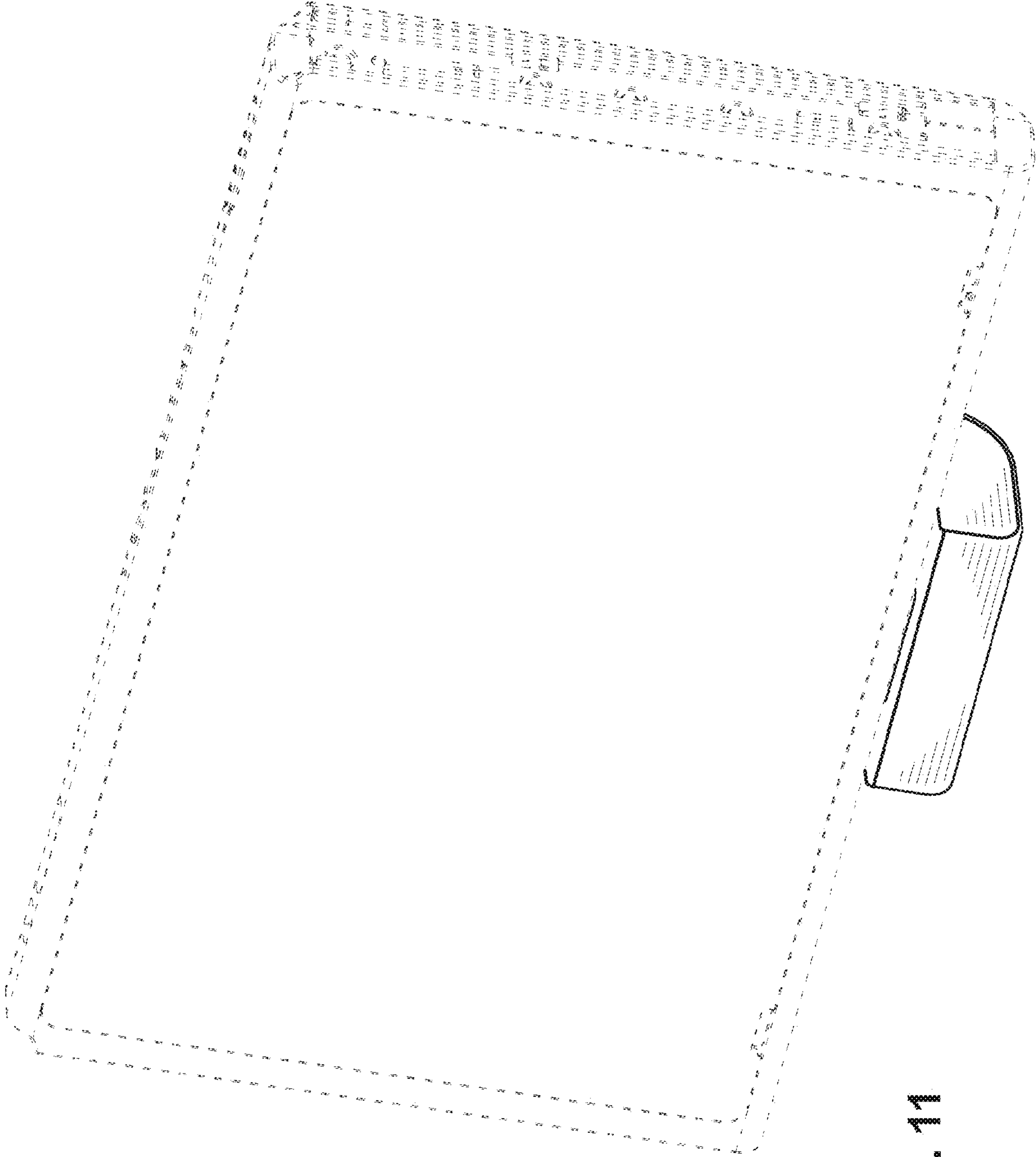


FIG. 11