



US00D919560S

(12) **United States Design Patent** (10) **Patent No.:** **US D919,560 S**  
**Taniguchi et al.** (45) **Date of Patent:** **\*\* \*May 18, 2021**

(54) **STORAGE BATTERY**

(71) Applicant: **Hitachi Koki Co., Ltd.**, Tokyo (JP)

(72) Inventors: **Takeshi Taniguchi**, Hitachinaka (JP);  
**Shuji Takeda**, Hitachinaka (JP); **Shota Kanno**, Hitachinaka (JP)

(73) Assignee: **Hitachi Koki Co., Ltd.**, Tokyo (JP)

(\*) Notice: This patent is subject to a terminal disclaimer.

(\*\*) Term: **15 Years**

(21) Appl. No.: **29/633,165**

(22) Filed: **Jan. 12, 2018**

(30) **Foreign Application Priority Data**

Oct. 6, 2017 (JP) ..... 2017-022228

(51) **LOC (13) Cl.** ..... **13-02**

(52) **U.S. Cl.**  
USPC ..... **D13/103**

(58) **Field of Classification Search**  
USPC .... D13/102-110, 139.8, 118-119, 184, 199;  
D14/356, 432  
CPC ..... Y02E 60/10; Y02E 60/12; Y02E 60/122;  
Y02E 60/124; Y02E 60/50; H01M 2/02;  
H01M 2/022; H01M 2/0202; H01M  
2/0207; H01M 2/0212; H01M 2/1061;  
H01M 2/1022; H01M 2/1055; H01M  
2/1066; H01M 2/105; H01M 2/20; H01M  
2/204; H01M 2/206; H01M 10/44; H01M  
10/46; H01M 10/465; H01M 10/482;  
H01M 2200/30; H01M 2250/30; H01M  
2250/40; H02J 7/00; H02J 7/0003; H02J  
7/0011; H02J 7/0013; H02J 7/0054; H02J  
7/0055; H02J 7/0057; H02J 2007/0062

See application file for complete search history.

(56) **References Cited**

U.S. PATENT DOCUMENTS

D516,504	S	*	3/2006	Okuda	.....	D13/103
D622,661	S	*	8/2010	Yamada	.....	D13/103
D658,578	S	*	5/2012	Davis	.....	D13/103
9,505,120	B2	*	11/2016	Aoki	.....	B25D 17/04
D777,545	S	*	1/2017	Kosugi	.....	D8/68
D780,687	S	*	3/2017	Taniguchi	.....	D13/103
D797,661	S	*	9/2017	Elder	.....	D13/103
D800,650	S	*	10/2017	Itoh	.....	D13/103
D801,919	S	*	11/2017	Elder	.....	D13/103
D844,558	S	*	4/2019	Taniguchi	.....	D13/103
D853,319	S	*	7/2019	Nommensen	.....	D13/103
2014/0272516	A1	*	9/2014	Tennison	.....	H01M 2/105 429/120
2017/0110709	A1	*	4/2017	Kolden	.....	H01M 10/425

\* cited by examiner

*Primary Examiner* — Nathaniel D. Buckner

(74) *Attorney, Agent, or Firm* — Banner & Witcoff, Ltd.

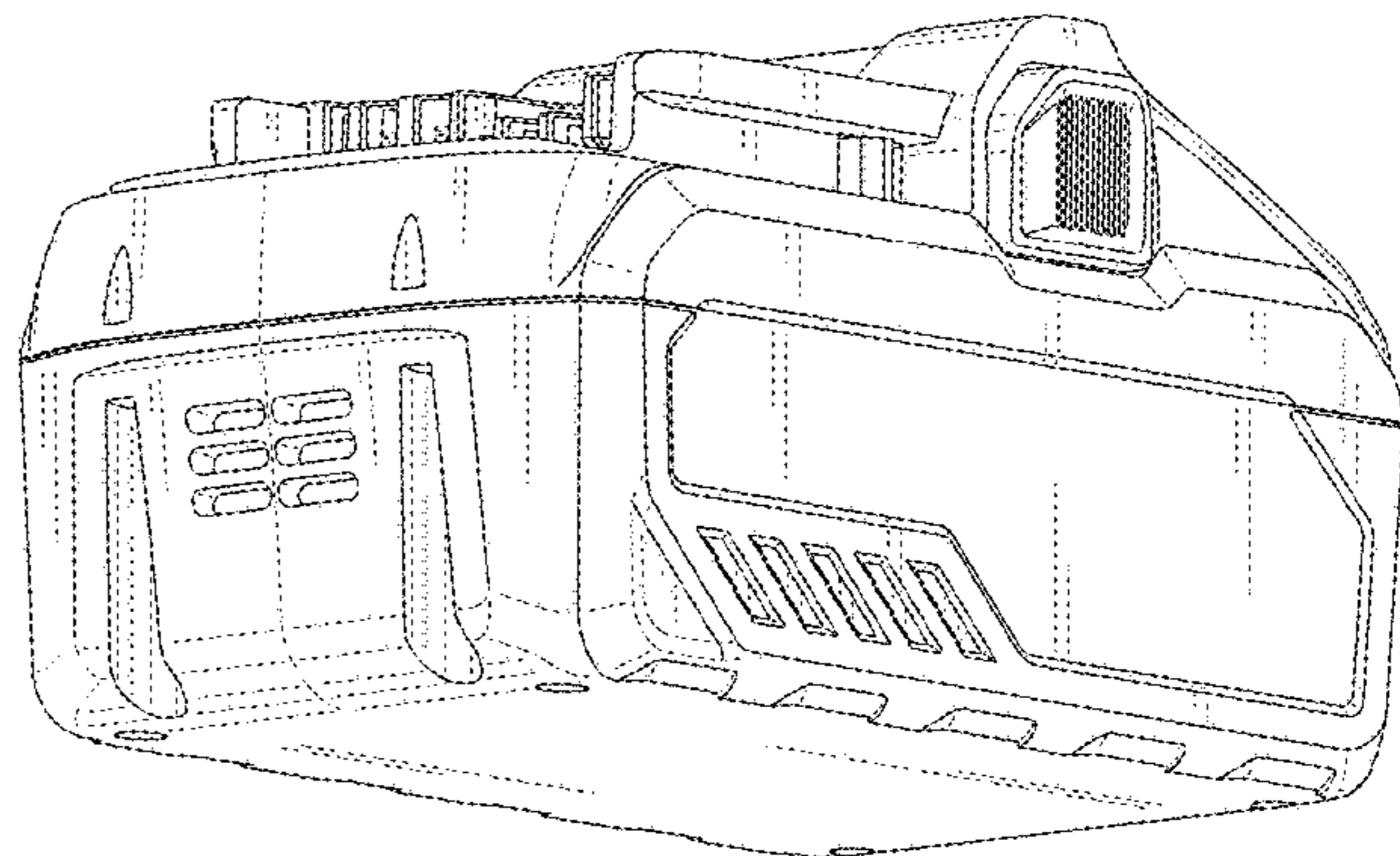
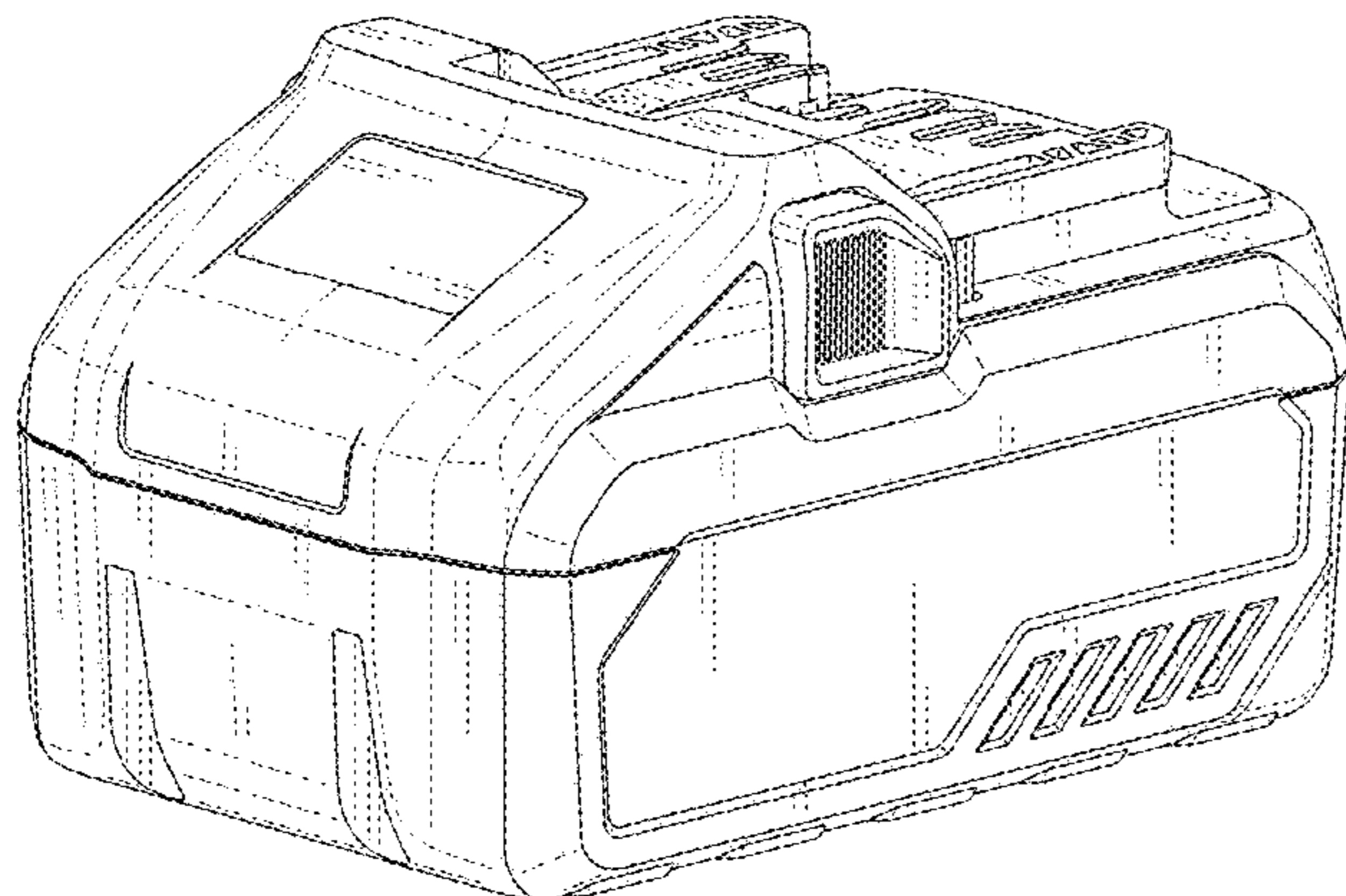
(57) **CLAIM**

The ornamental design for a storage battery, as shown and described.

**DESCRIPTION**

FIG. 1 is a front, right, upper perspective view of a storage battery showing our new design;  
FIG. 2 is a rear, left, lower perspective view thereof;  
FIG. 3 is a front view thereof;  
FIG. 4 is a left side view thereof;  
FIG. 5 is a right side view thereof;  
FIG. 6 is a top plan view thereof; and,  
FIG. 7 is a bottom side view thereof.  
The broken lines shown in the figures depict portions of the storage battery that form no part of the claimed design.

**1 Claim, 5 Drawing Sheets**



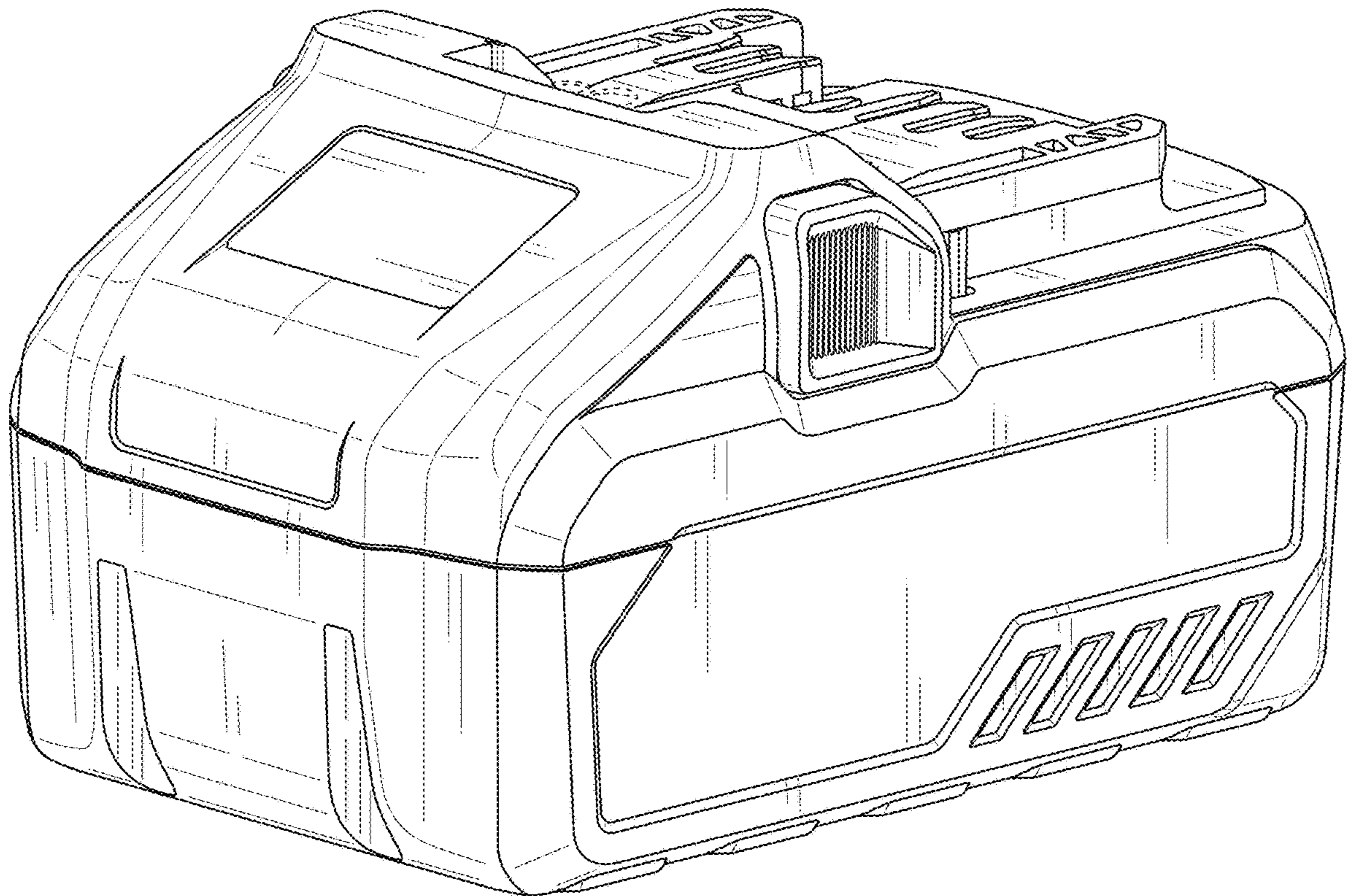


FIG. 1

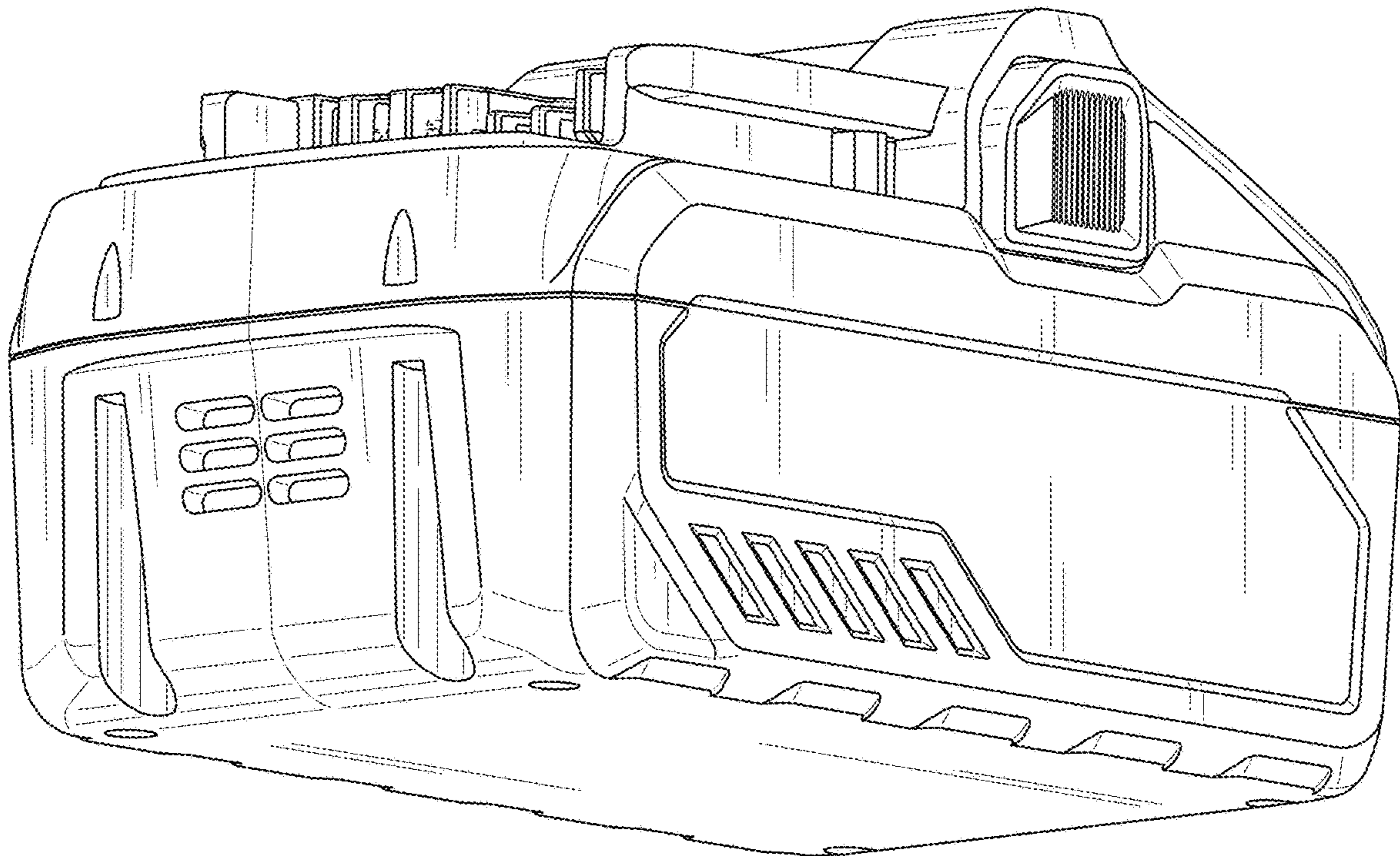
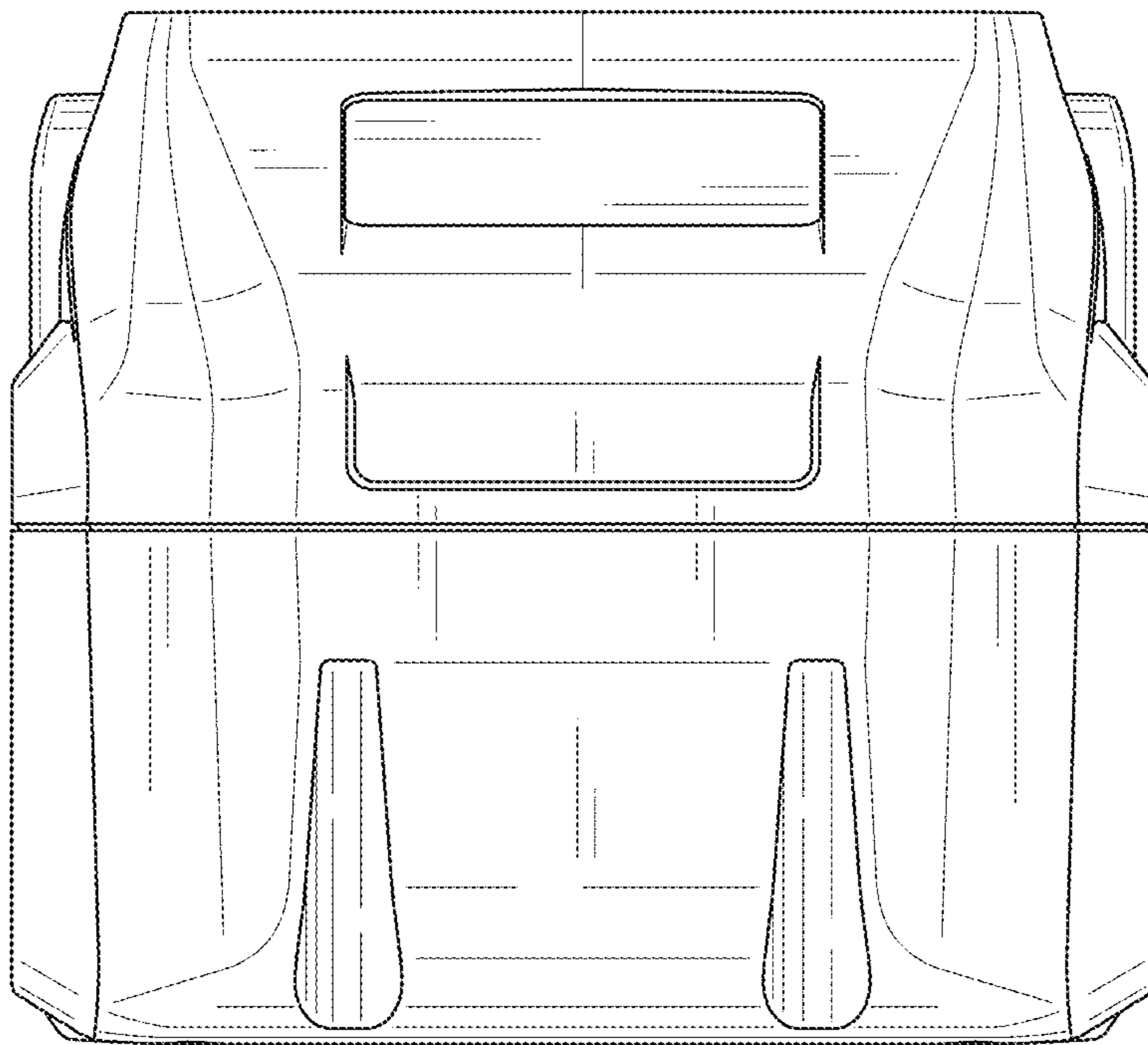


FIG. 2



*FIG. 3*

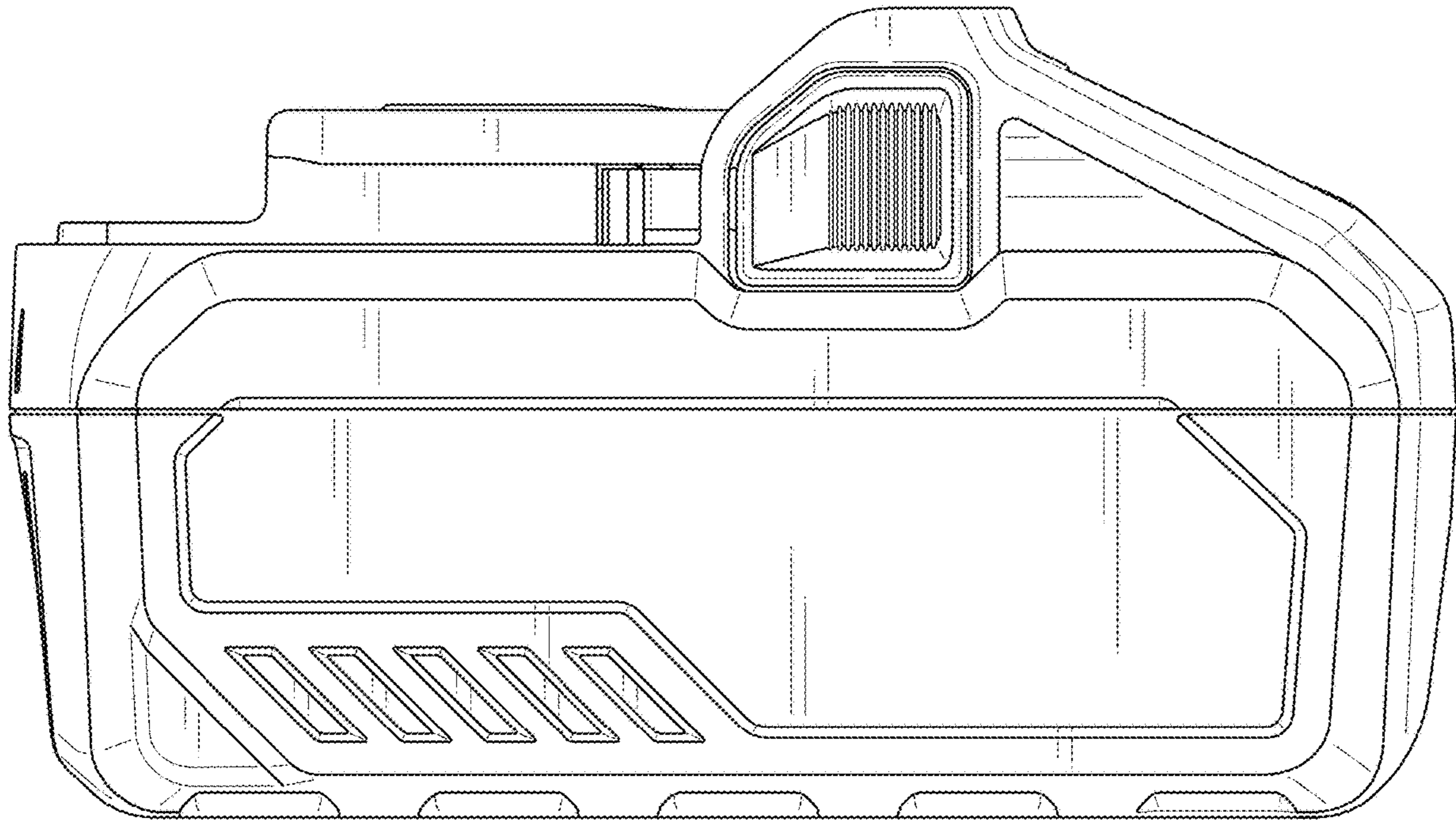


FIG. 4

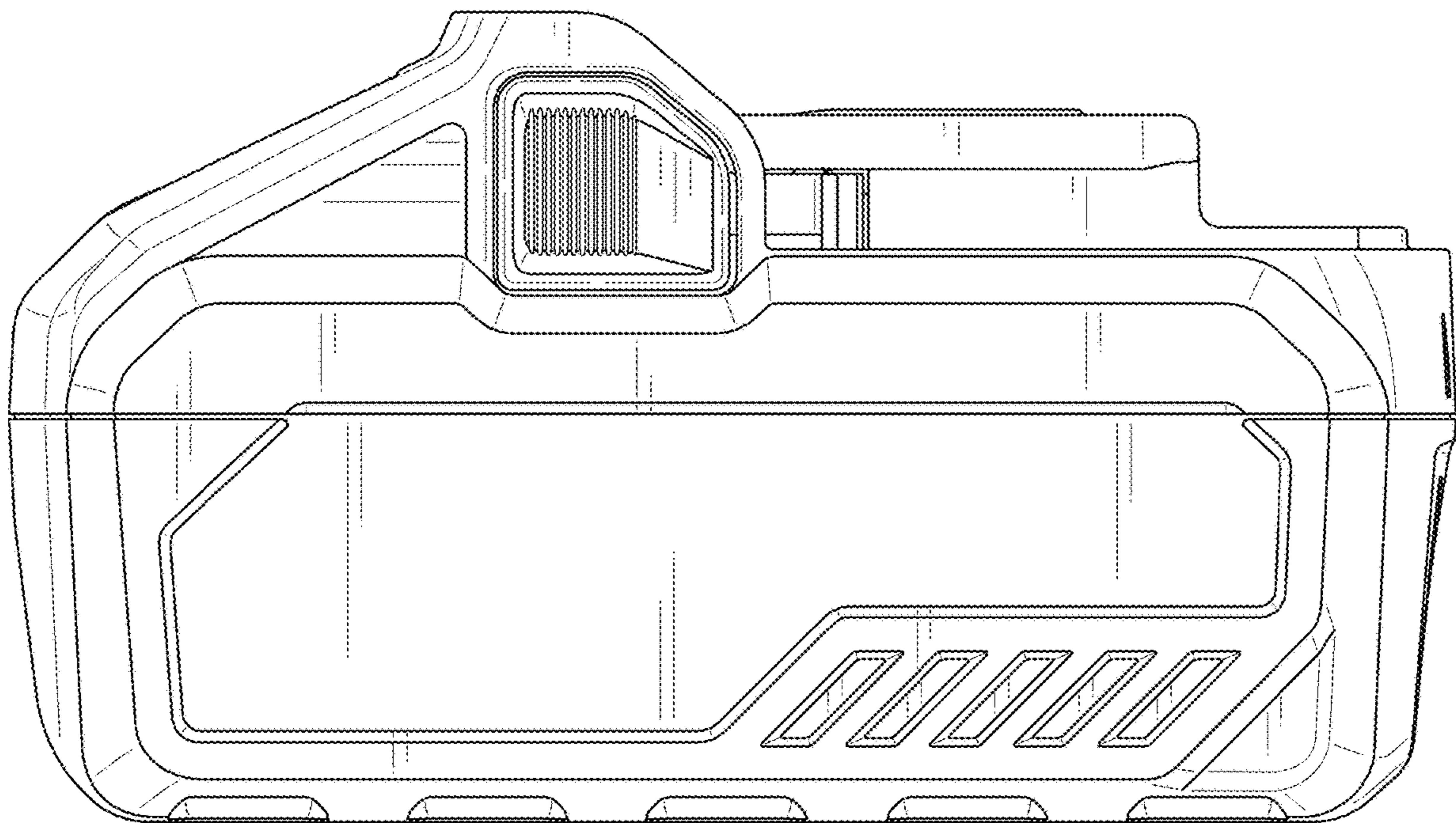


FIG. 5

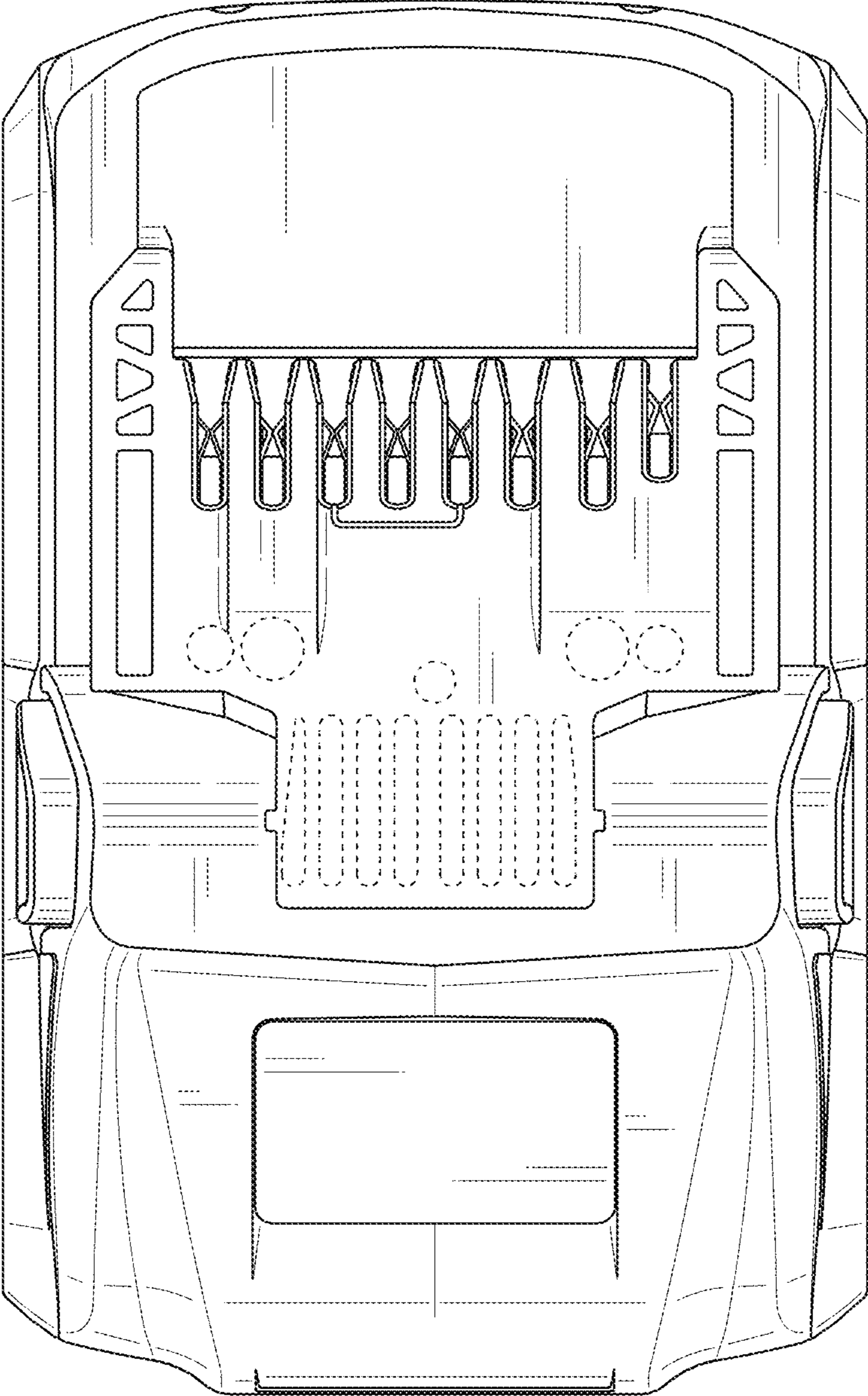


FIG. 6

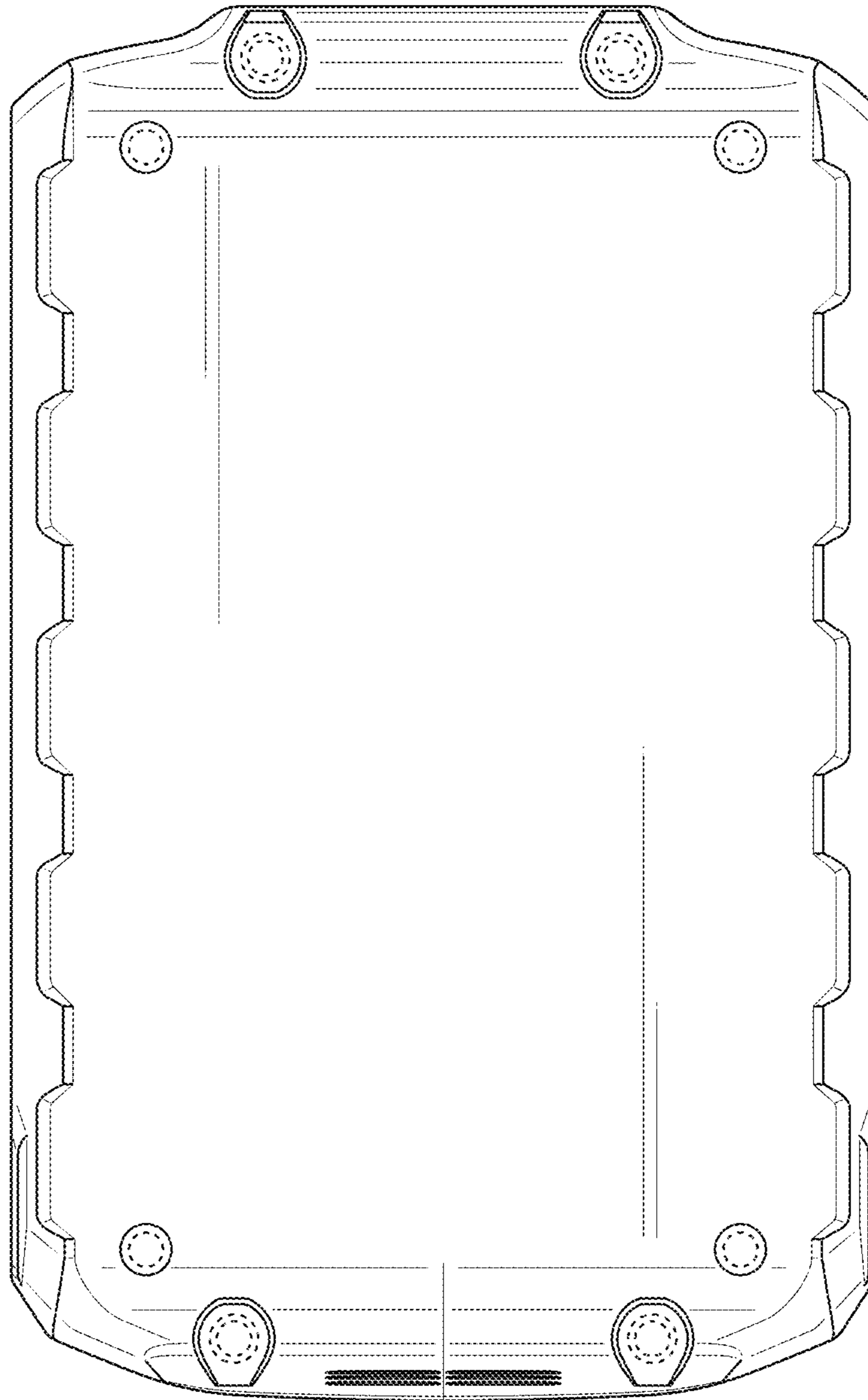


FIG. 7