



US00D919557S

(12) **United States Design Patent**
Davenport

(10) **Patent No.:** **US D919,557 S**

(45) **Date of Patent:** **** May 18, 2021**

(54) **TIRE TREAD**

(71) Applicant: **COOPER TIRE & RUBBER COMPANY**, Findlay, OH (US)

(72) Inventor: **Craig R. Davenport**, Findlay, OH (US)

(73) Assignee: **COOPER TIRE & RUBBER COMPANY**, Findlay, OH (US)

(**) Term: **15 Years**

(21) Appl. No.: **29/701,287**

(22) Filed: **Aug. 9, 2019**

(51) **LOC (13) Cl.** **12-15**

(52) **U.S. Cl.**
USPC **D12/588**

(58) **Field of Classification Search**
USPC D12/579, 582, 583, 584, 586, 588, 590,
D12/594, 595, 600, 601, 604, 900
CPC B60C 11/03; B60C 11/0306; B60C
2011/0337
See application file for complete search history.

(56) **References Cited**

U.S. PATENT DOCUMENTS

D304,558 S	11/1989	Fukumoto	
D380,995 S	7/1997	Grosskopf	
D414,725 S	10/1999	Kemp, Jr.	
D464,614 S	10/2002	Irimiya	
D484,092 S	12/2003	Okamoto	
D502,444 S	3/2005	Wage	
D555,081 S	11/2007	Feider et al.	
D609,169 S *	2/2010	Feider	D12/588
D615,922 S	5/2010	Takano	
D616,356 S	5/2010	Ohara	
D637,143 S	5/2011	Ohara	
D637,149 S	5/2011	Yamaguchi	
D644,598 S	9/2011	Yokomakura	
D647,040 S	10/2011	Mathonet et al.	

D647,041 S	10/2011	Kojima	
D662,456 S	6/2012	Corsi et al.	
D730,273 S	5/2015	Schimmoeller	
D738,814 S	9/2015	Otani	
D743,327 S	11/2015	Schimmoeller	
D746,222 S	12/2015	Hutz et al.	
D764,397 S *	8/2016	Dixon	D12/588
D772,797 S	11/2016	Ono	
D782,967 S	4/2017	Nagamoto	
D788,693 S	6/2017	Westaway	
D795,173 S	8/2017	Hayashi	
D801,260 S	10/2017	Seo et al.	
D807,813 S	1/2018	Hayashi	

(Continued)

Primary Examiner — John A Voytek

(74) *Attorney, Agent, or Firm* — Fay Sharpe LLP

(57) **CLAIM**

The ornamental design for a tire tread, as shown and described.

DESCRIPTION

FIG. 1 is a perspective view of a tire including the tire tread of the present application taken from the front and side of the tire;

FIG. 2 is a front view thereof;

FIG. 3 is a side view thereof, the opposite side being identical;

FIG. 4 is an enlarged partial, perspective view taken from the front and side thereof;

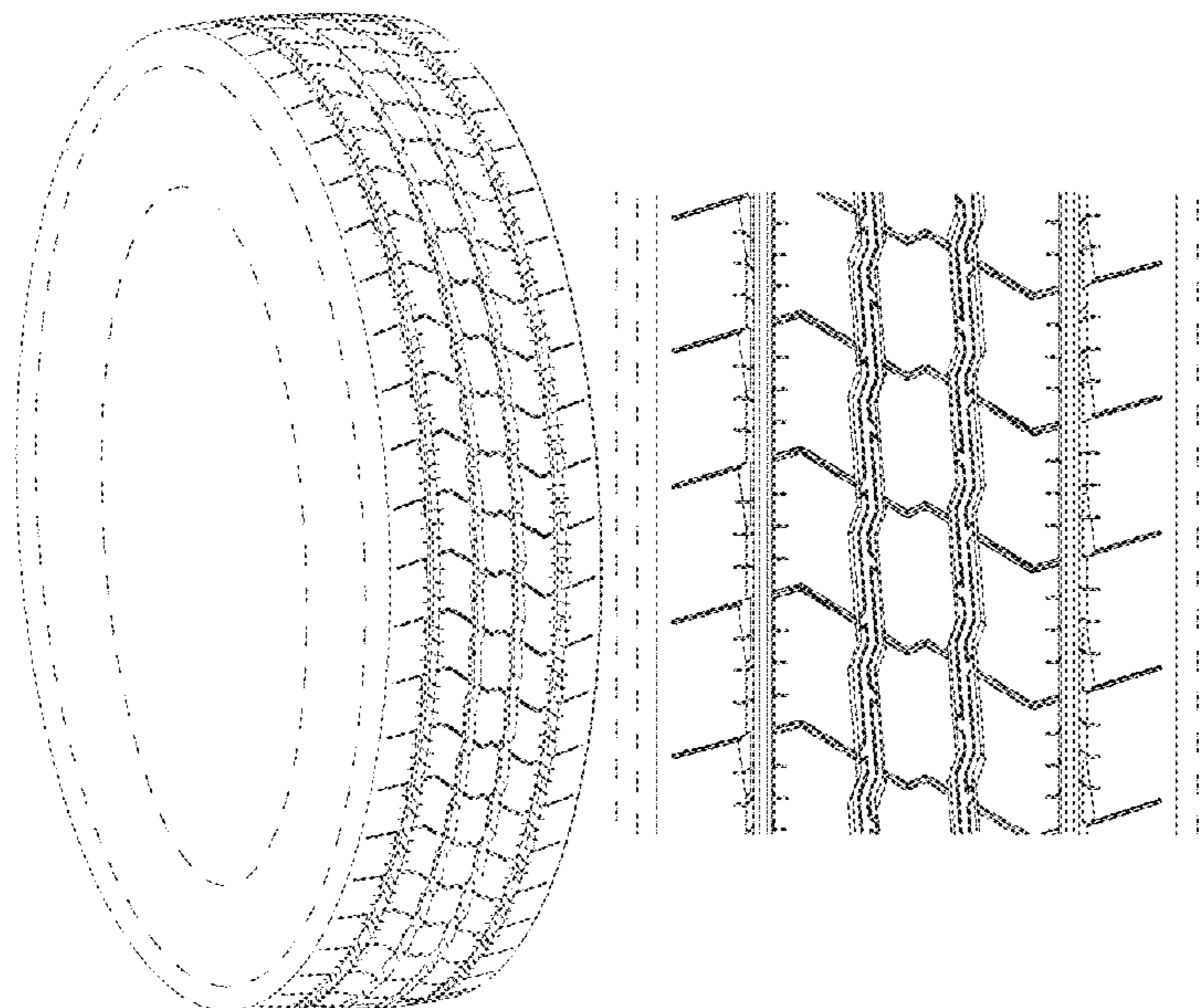
FIG. 5 is an enlarged, partial front view thereof;

FIG. 6 is a further enlarged, partial front view thereof; and,

FIG. 7 is an enlarged, partial side view thereof.

On each side of the tire, the broken line nearest the tire tread forms a claim boundary; all other broken lines depict subject matter that forms no part of the claimed tire tread design. Likewise, the tire interior forms no part of the claim. The tread pattern is understood to repeat uniformly throughout the circumference of the tire.

1 Claim, 7 Drawing Sheets



(56)

References Cited

U.S. PATENT DOCUMENTS

D815,024 S	4/2018	Flynn et al.	
D816,019 S	4/2018	Schimmoeller	
D849,674 S *	5/2019	Wang	D12/588
D875,657 S *	2/2020	Hiser	D12/588
D880,413 S *	4/2020	Schultz	D12/604

* cited by examiner

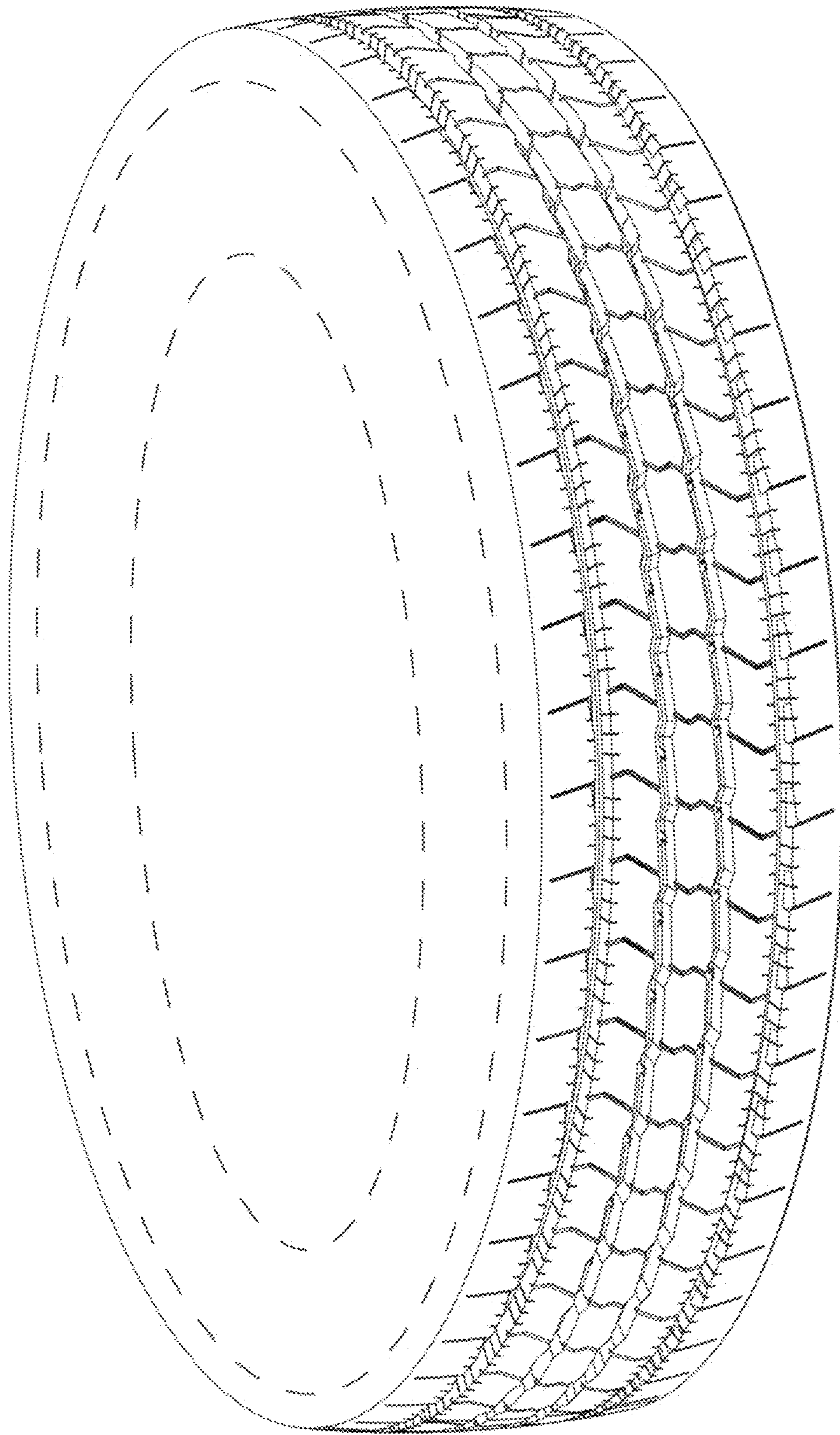


FIG. 1

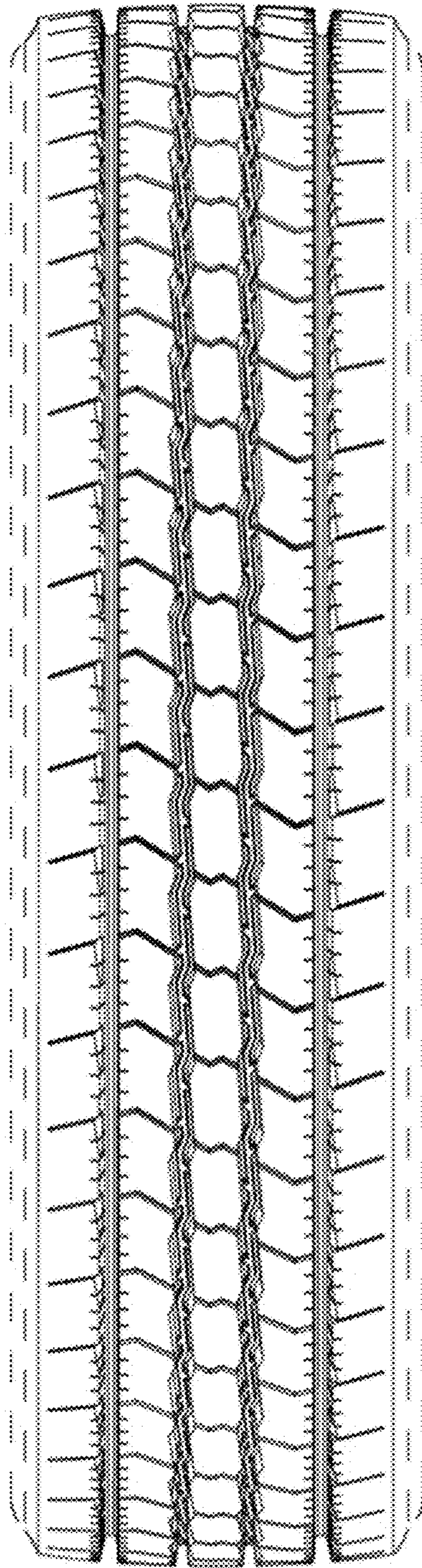


FIG. 2

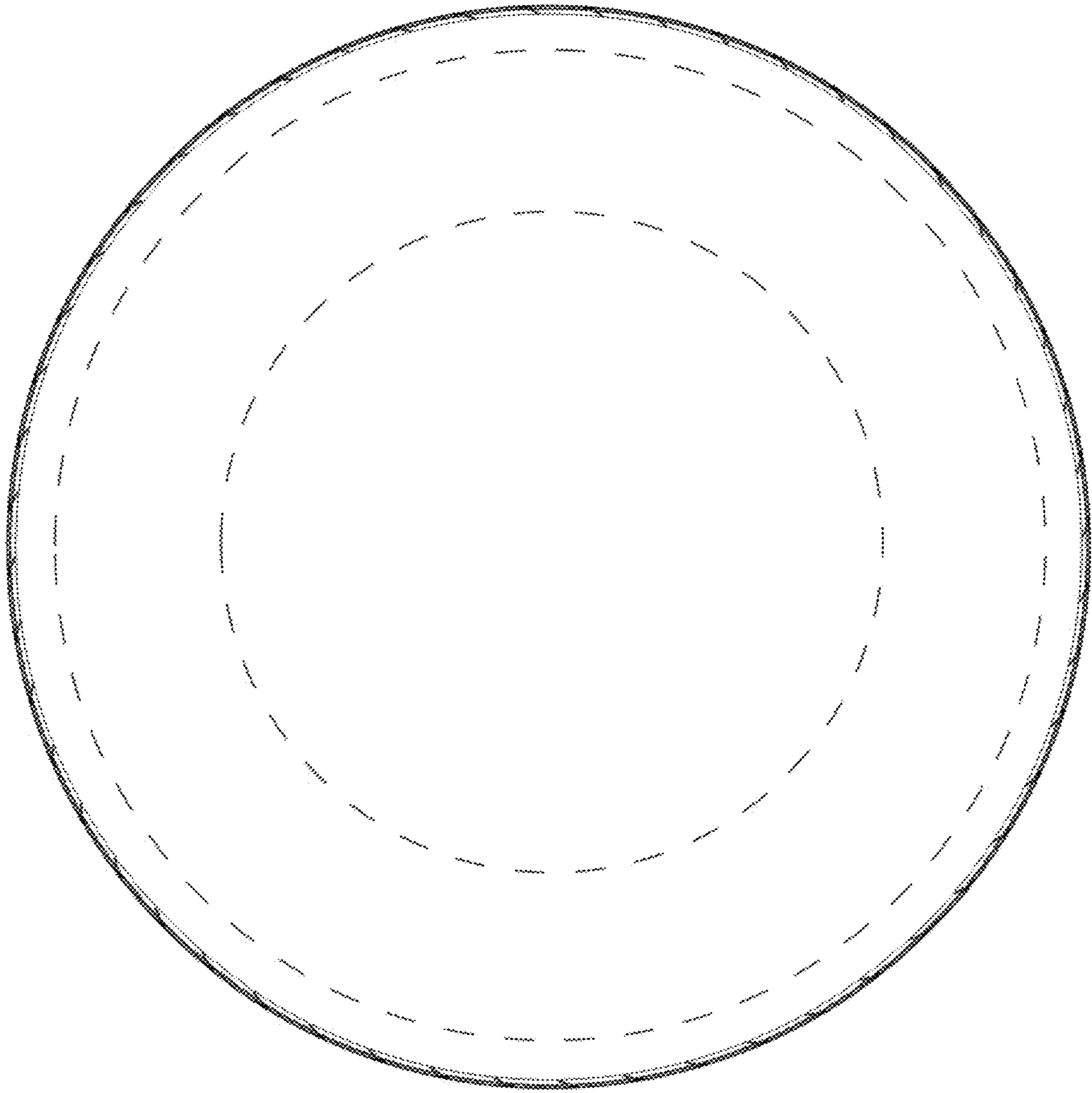


FIG. 3

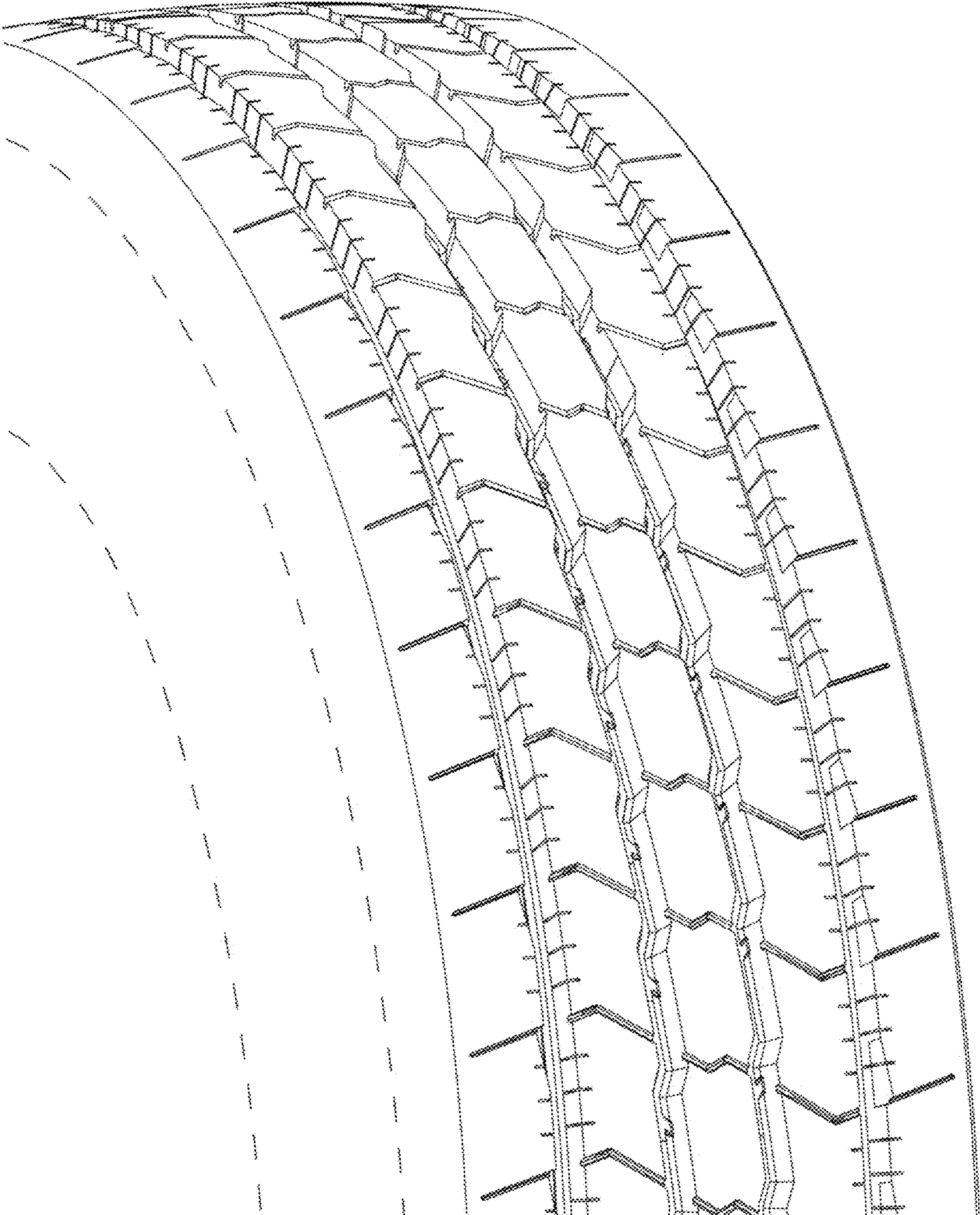


FIG. 4

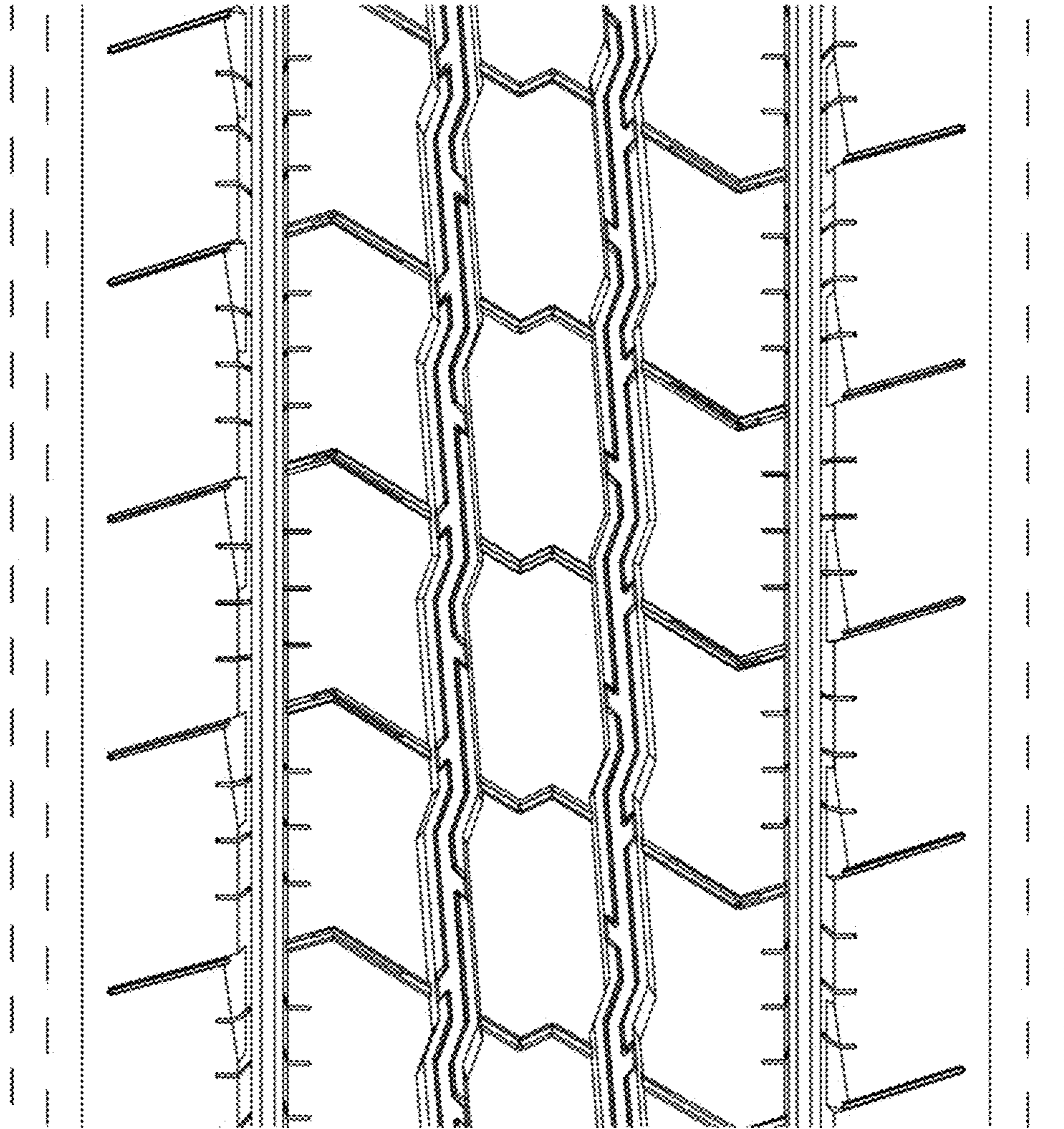


FIG. 5

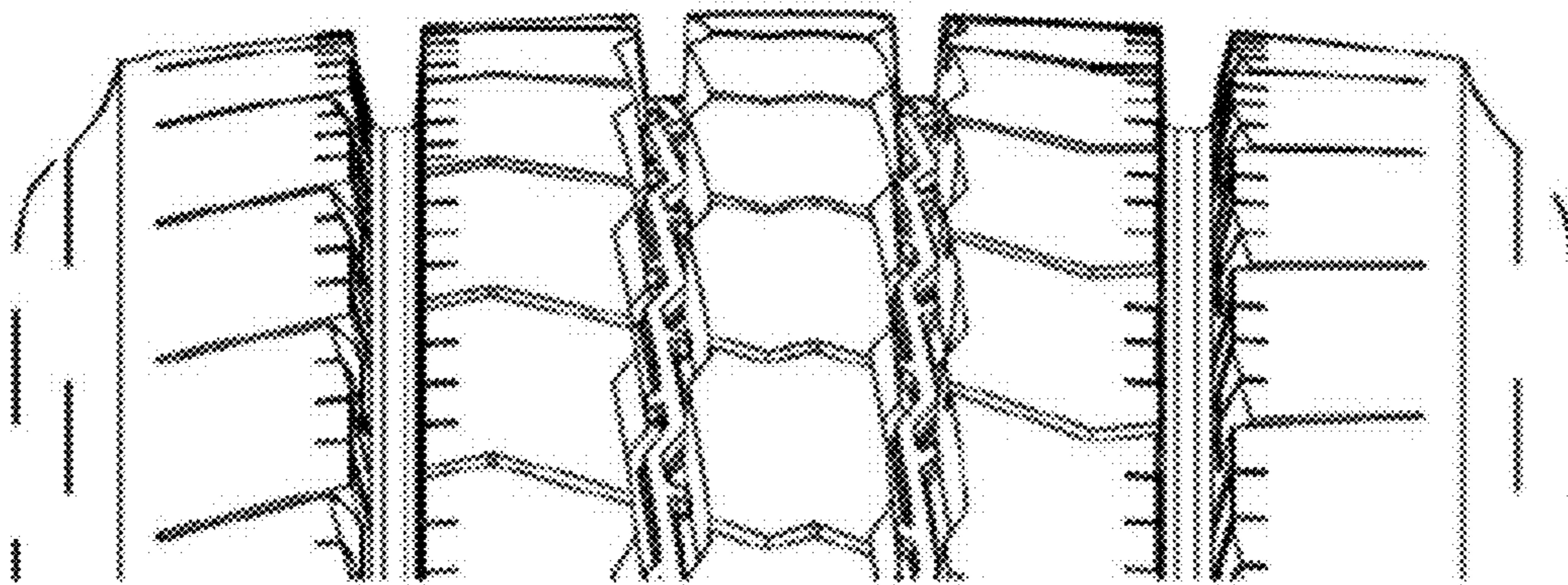


FIG. 6

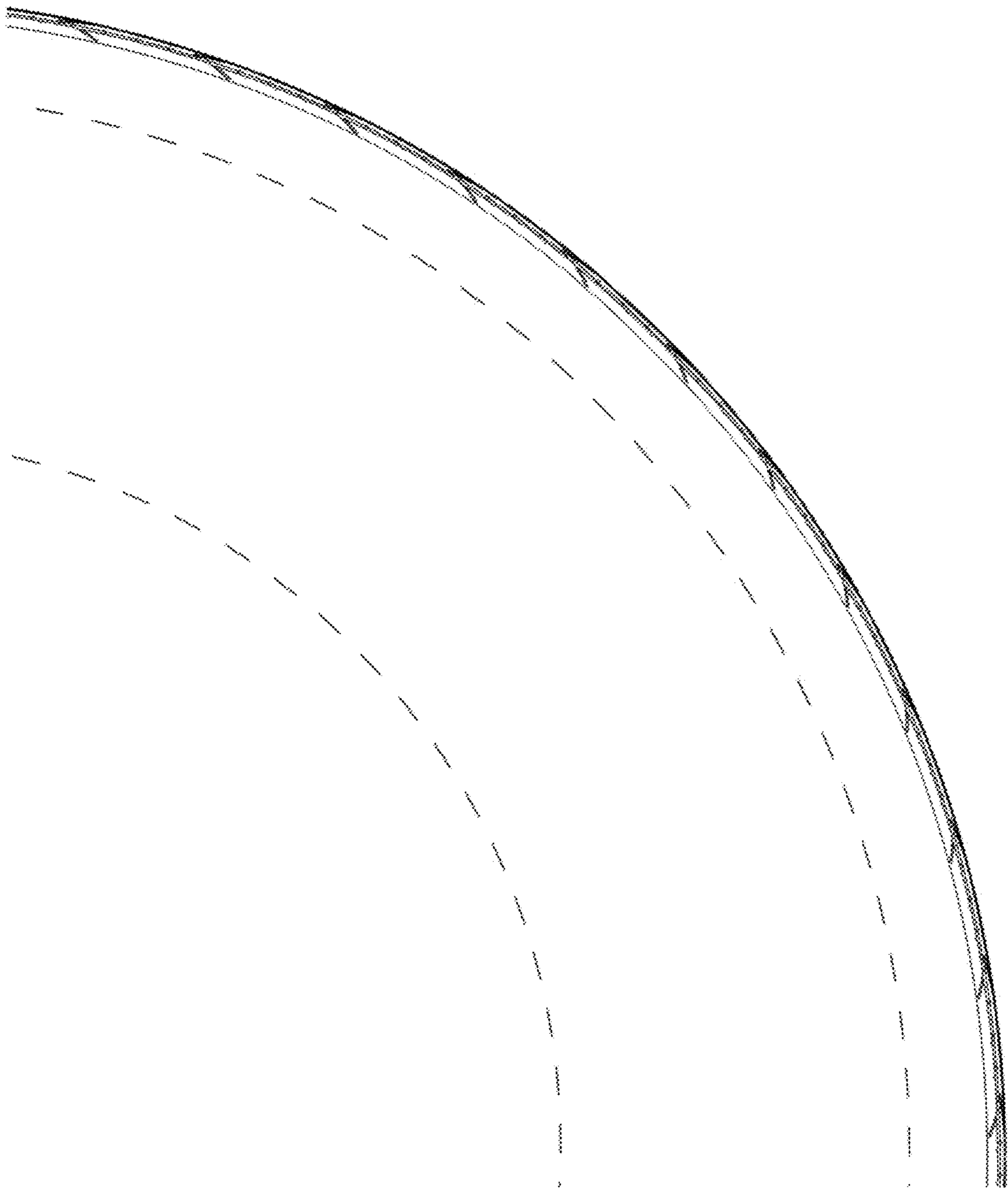


FIG. 7