



US00D919553S

(12) **United States Design Patent** (10) **Patent No.:** **US D919,553 S**
Pribicevich (45) **Date of Patent:** **** May 18, 2021**

(54) **BOAT TABLE**

5/16; B60R 11/00; B60N 3/00; B25H 3/04; B63H 7/00; B63H 9/04

(71) Applicant: **MANTA MARINE STAINLESS LIMITED**, Takapuna (NZ)

See application file for complete search history.

(72) Inventor: **Stephen Pribicevich**, Auckland (NZ)

(56) **References Cited**

(73) Assignee: **MANTA MARINE STAINLESS LIMITED**, Takapuna (NZ)

U.S. PATENT DOCUMENTS

(**) Term: **15 Years**

(21) Appl. No.: **29/715,202**

(22) Filed: **Nov. 28, 2019**

(30) **Foreign Application Priority Data**

Jun. 10, 2019 (NZ) 426112

(51) **LOC (13) Cl.** **12-16**

(52) **U.S. Cl.**
USPC **D12/425**

(58) **Field of Classification Search**

USPC D12/223, 300, 302, 303, 304, 306, 307, D12/310, 311, 312, 313, 314, 315, 316, D12/317, 318, 400, 415, 425, 426.1; D21/542, 760, 769, 801, 802, 803; D8/349, 354, 373, 381; D6/553, 555, D6/574, 641, 661, 672, 675, 675.1, 675.2, D6/675.5, 705.4, 705.5, 705.6, 707.19, D6/719; D19/92

CPC B63B 2035/002; B63B 2035/004; B63B 7/00; B63B 7/04; B63B 7/06; B63B 7/085; B63B 34/05; B63B 34/23; B63B 34/26; B63B 32/77; B63B 32/83; B63B 29/00; B63B 29/02; B63B 29/04; B63B 2029/046; B63B 2007/003; B63B 17/00; B63B 35/00; B63B 3/00; A47B 13/00; A47B 13/08; A47B 47/021; A47B 96/021; A47F 5/0043; A47F 5/08; A47F

D186,181	S	*	9/1959	Silkenat	D7/552.1
3,236,385	A	*	2/1966	Becker	A47J 36/20 210/477
D260,907	S	*	9/1981	Giulie	D19/92
D274,067	S	*	5/1984	Evenson	D19/92
D280,583	S	*	9/1985	Evenson	D6/574
D302,703	S	*	8/1989	Foran	D19/92
D311,931	S	*	11/1990	Evenson	D19/86
D318,961	S	*	8/1991	Edelson	D6/406.4
D338,685	S	*	8/1993	Dakich	D19/92
D678,699	S	*	3/2013	Stravitz	D6/707.21
D780,848	S	*	3/2017	Greenspon	D19/92
D792,503	S	*	7/2017	Helweg	D17/20
2008/0223913	A1	*	9/2008	Nadeau	B60R 11/00 229/152

* cited by examiner

Primary Examiner — Karen E Kearney

Assistant Examiner — Adam C Mager

(74) *Attorney, Agent, or Firm* — JCIP; Joseph G. Chu; Jeremy I. Maynard

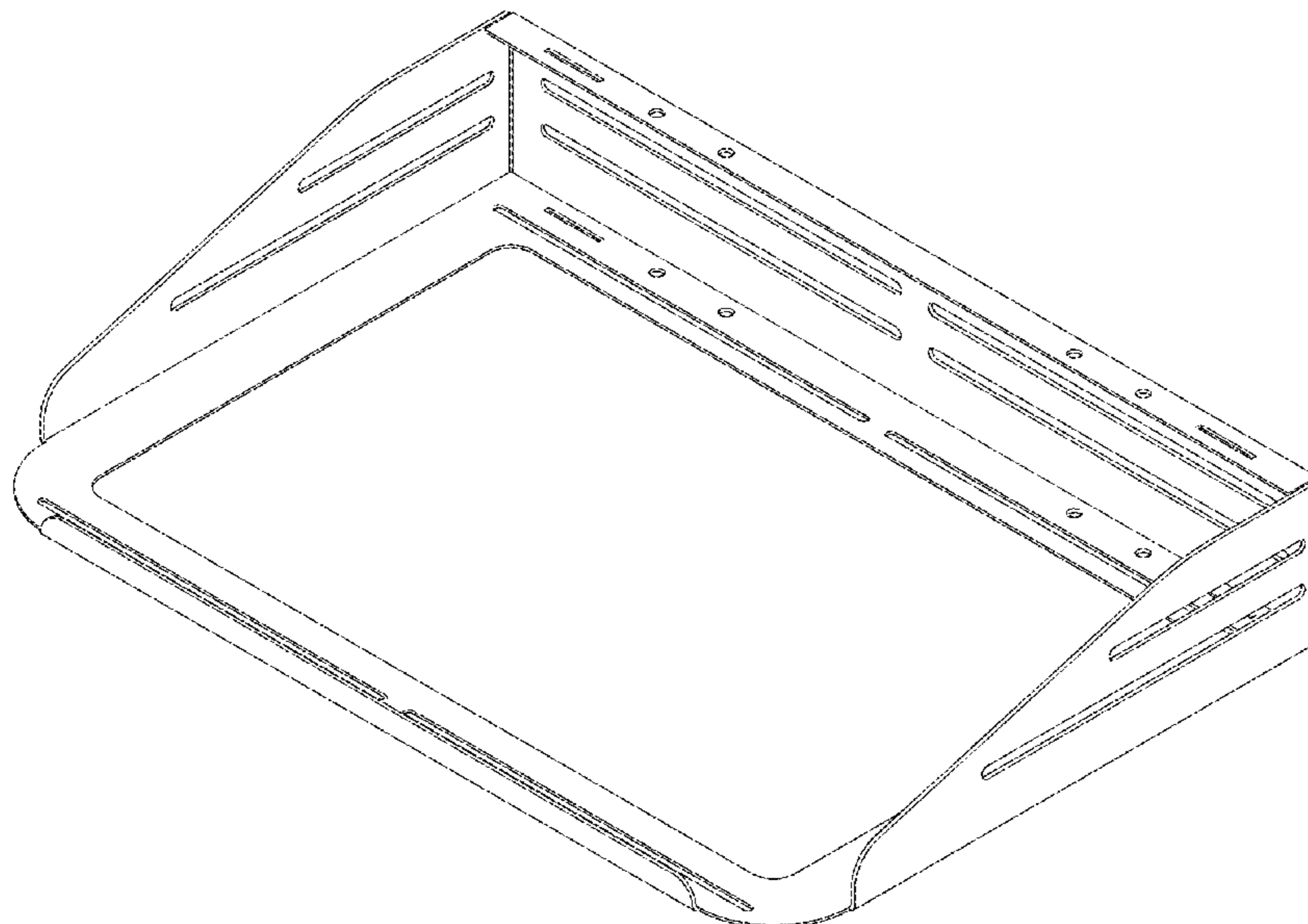
(57) **CLAIM**

The ornamental design for a boat table, as shown and described.

DESCRIPTION

FIG. 1 is a front perspective view of a boat table; FIG. 2 is a front view of the boat table; FIG. 3 is a rear view of the boat table; FIG. 4 is a left side view of the boat table; FIG. 5 is a right side view of the boat table; FIG. 6 is a top view of the boat table; and, FIG. 7 is a bottom view of the boat table.

1 Claim, 7 Drawing Sheets



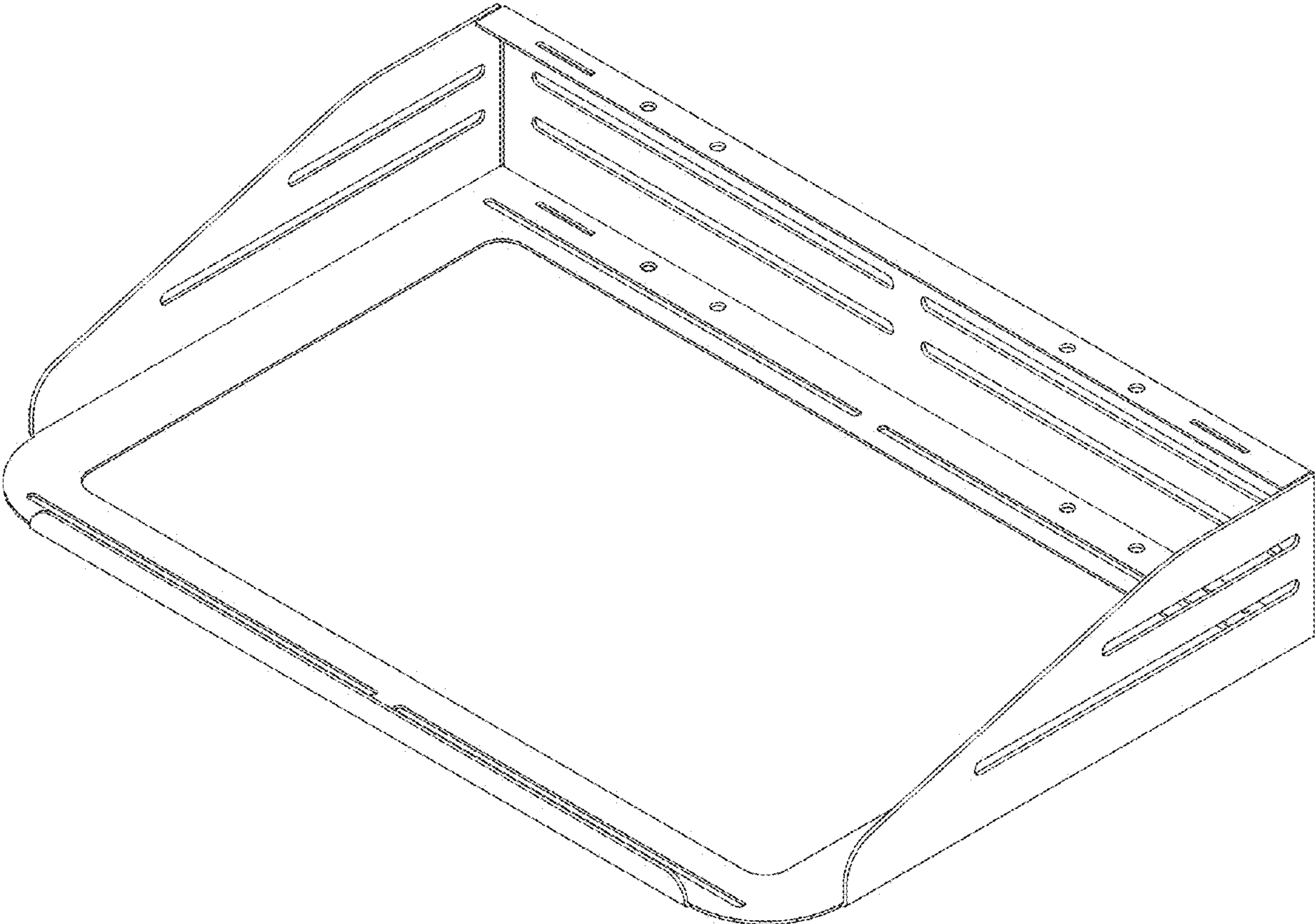


Figure 1

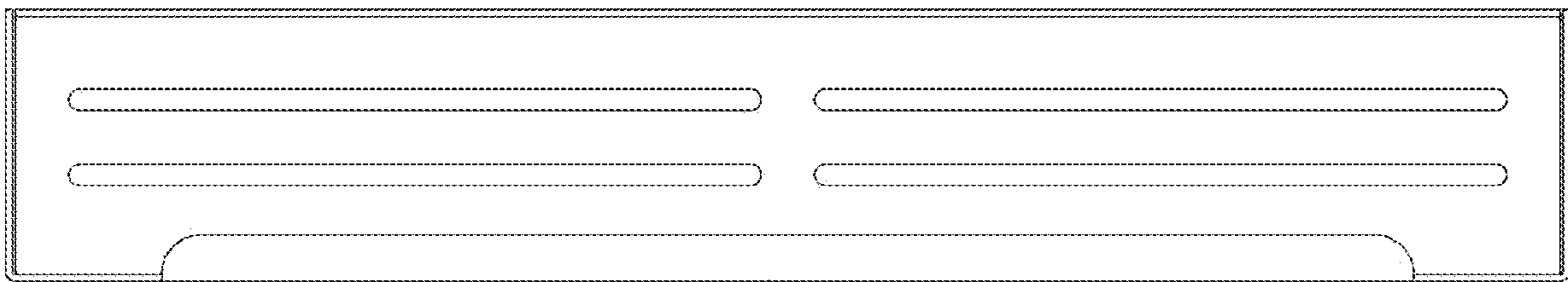


Figure 2

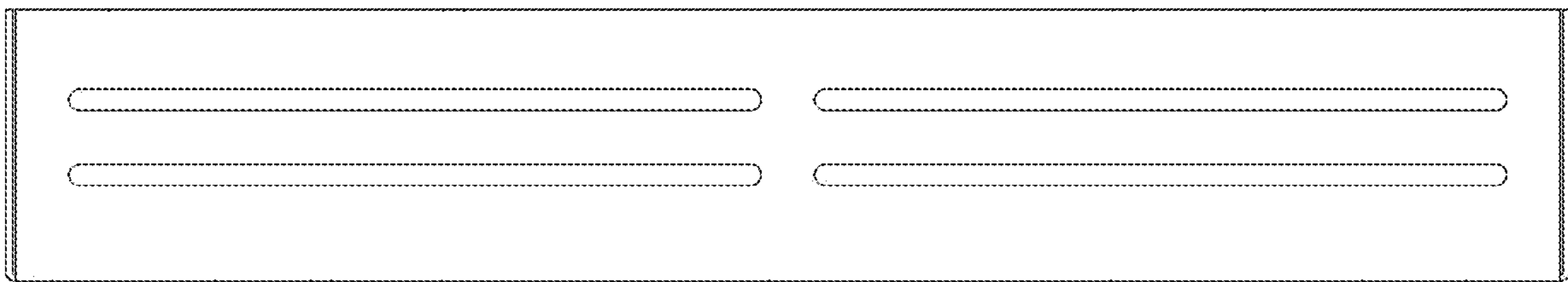


Figure 3

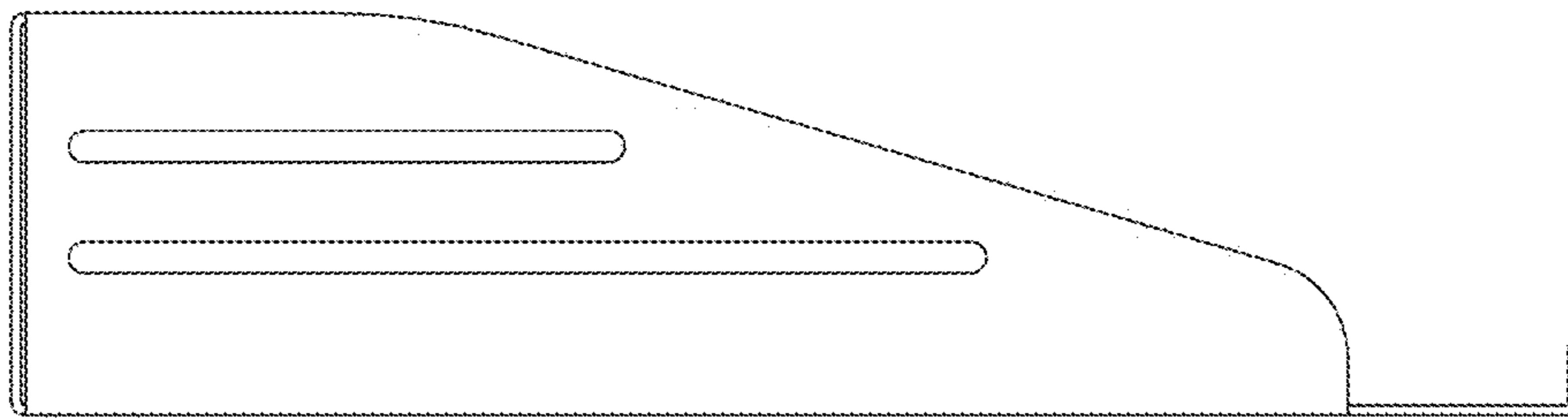


Figure 4

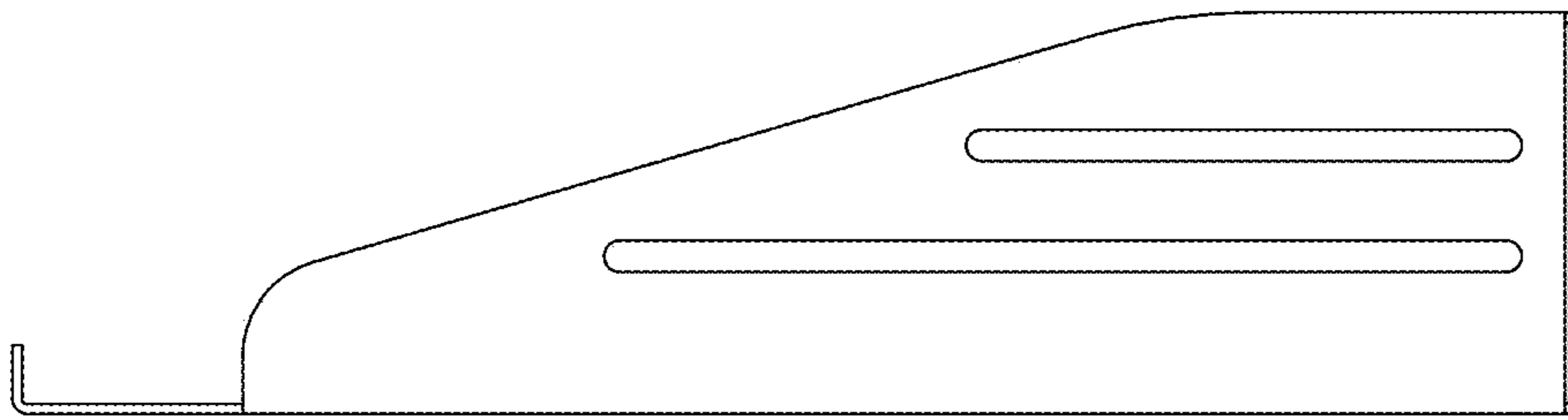


Figure 5

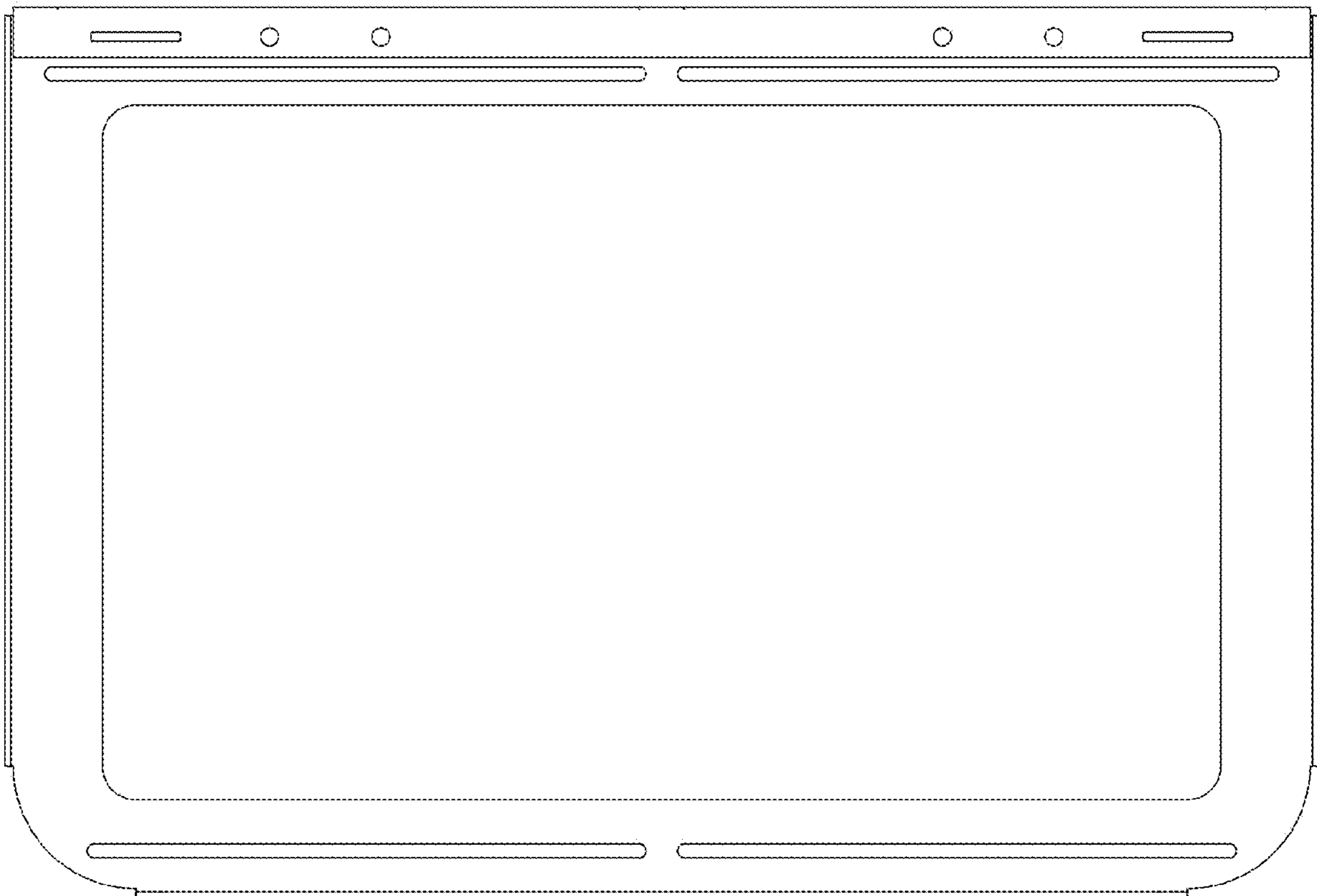


Figure 6

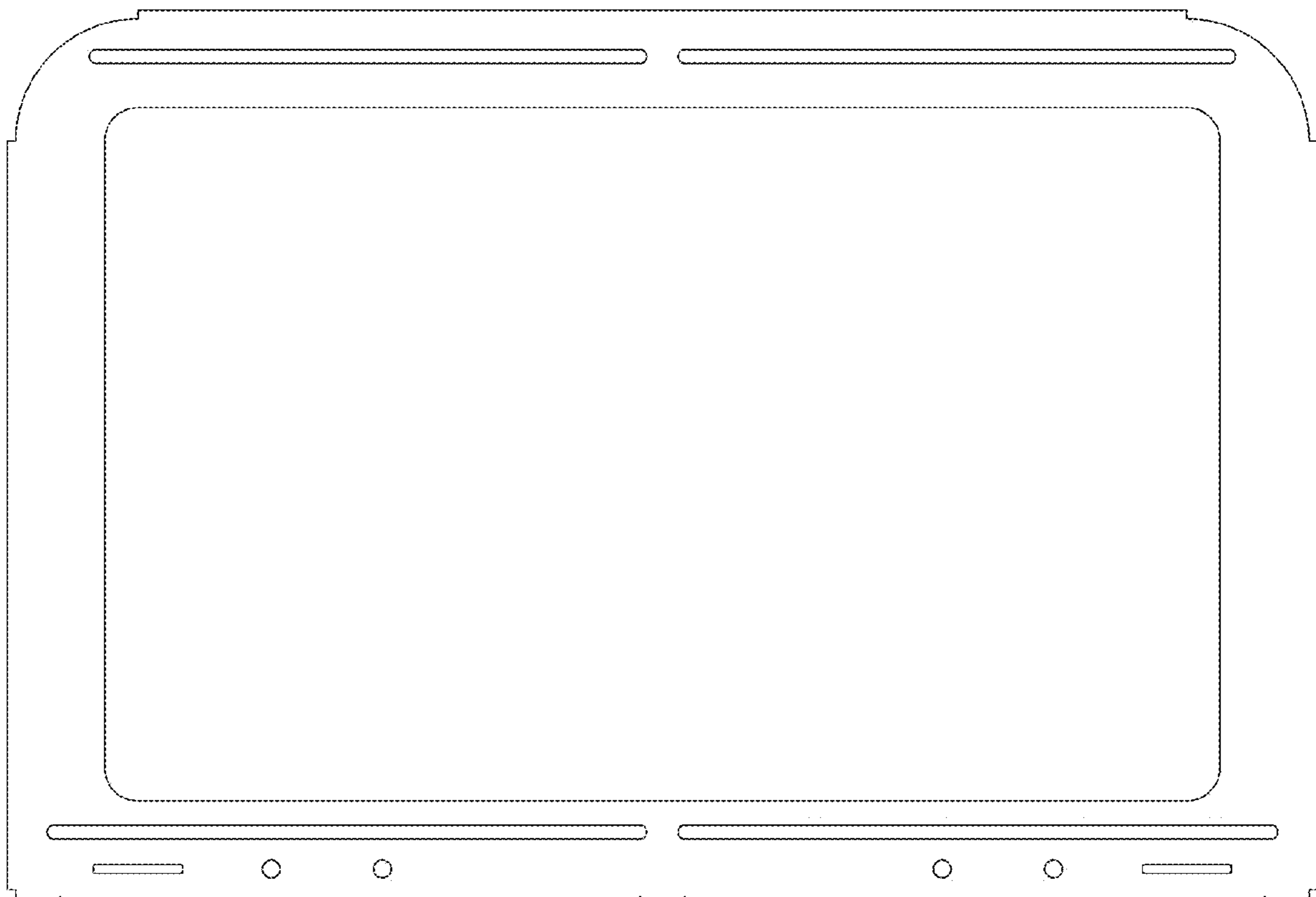


Figure 7