



US00D919552S

(12) **United States Design Patent** (10) **Patent No.:** **US D919,552 S**
Jeon et al. (45) **Date of Patent:** **** May 18, 2021**

(54) **CUP HOLDER BASE FOR VEHICLE** 8,348,110 B1 * 1/2013 Whynot B60N 3/103
 224/282
 (71) Applicant: **LG ELECTRONICS INC.**, Seoul D729,145 S * 5/2015 Zuerlein D12/415
 (KR) 9,120,402 B2 * 9/2015 Caruso B60N 3/105
 9,381,843 B2 * 7/2016 Muiter B60N 3/108
 (72) Inventors: **Jongkeon Jeon**, Seoul (KR); **Jiyoung**
Kang, Seoul (KR); **Hojung Kim**, Seoul
 (KR) 9,616,793 B2 * 4/2017 Llorca A47G 23/02
 D829,637 S * 10/2018 Patten D12/415
 10,183,604 B2 * 1/2019 Krishnan B60N 3/103
 D865,646 S * 11/2019 Patten D12/419
 D873,205 S * 1/2020 MacNeil D12/415
 (73) Assignee: **LG ELECTRONICS INC.**, Seoul D877,043 S * 3/2020 MacNeil D12/415
 (KR) D878,279 S * 3/2020 MacNeil D12/415

(Continued)

(**) Term: **15 Years**

Primary Examiner — Darlington Ly

(21) Appl. No.: **35/508,641**

(74) *Attorney, Agent, or Firm* — Birch, Stewart, Kolasch & Birch LLP

(22) Filed: **Aug. 12, 2019**

(80) **Hague Agreement Data**

Int. Filing Date: **Aug. 12, 2019**
 Int. Reg. No.: **DM/205794**
 Int. Reg. Date: **Aug. 12, 2019**
 Int. Reg. Pub. Date: **Feb. 14, 2020**

(57) **CLAIM**

The ornamental design for a cup holder base for vehicle, as shown and described.

(30) **Foreign Application Priority Data**

Feb. 20, 2019 (KR) 30-2019-0007541

(51) **LOC (13) Cl.** **12-16**

(52) **U.S. Cl.**
USPC **D12/419**

(58) **Field of Classification Search**
 USPC D12/415, 416, 417, 418, 419, 420, 421;
 D7/619.1–625, 701
 CPC B60N 3/10; B60N 3/101; B60N 3/103;
 B60N 3/107; B60N 3/108; B60R
 11/0241; A47G 23/02

See application file for complete search history.

DESCRIPTION

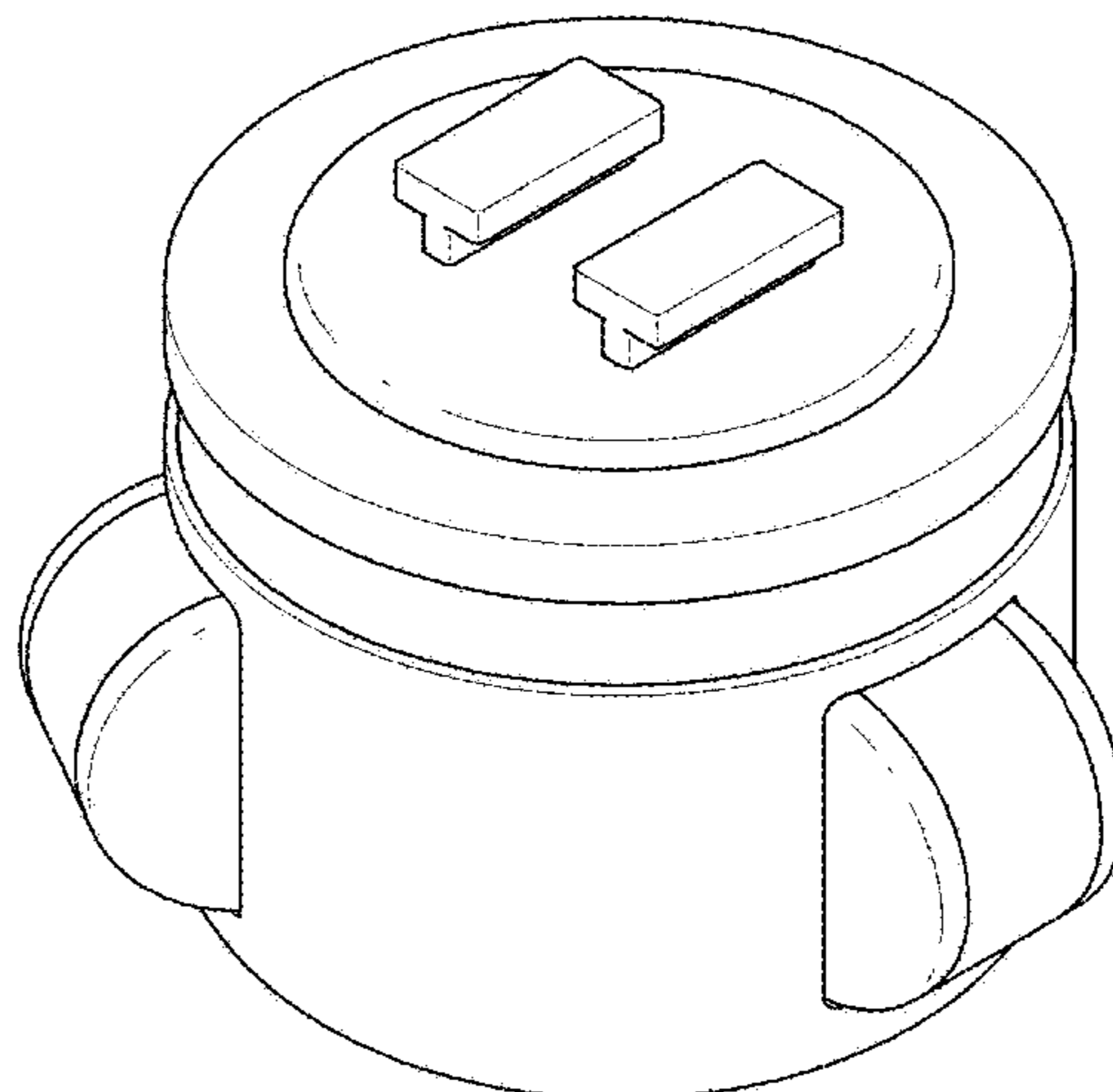
1. Cup holder base for vehicle
1.1 is a top perspective view of a cup holder base for vehicle embodying our new design;
1.2 is a front elevation view thereof;
1.3 is a rear elevation view thereof;
1.4 is a left side elevation view thereof;
1.5 is a right side elevation view thereof;
1.6 is a top plan view thereof;
1.7 is a bottom plan view thereof;
1.8 is a top perspective view thereof while in the state of being installed into an automobile cup holder; and
1.9 is a top perspective view thereof with an exemplary air cleaner holder attached.
 The broken line showing of the automobile center console and air cleaner holder are provided for the purpose illustrating environmental structures and form no part of the claimed design.

(56) **References Cited**

U.S. PATENT DOCUMENTS

6,705,580 B1 * 3/2004 Bain B60N 3/106
 248/311.2
 7,350,757 B2 * 4/2008 Baek B60N 3/102
 224/281

1 Claim, 9 Drawing Sheets



(56)

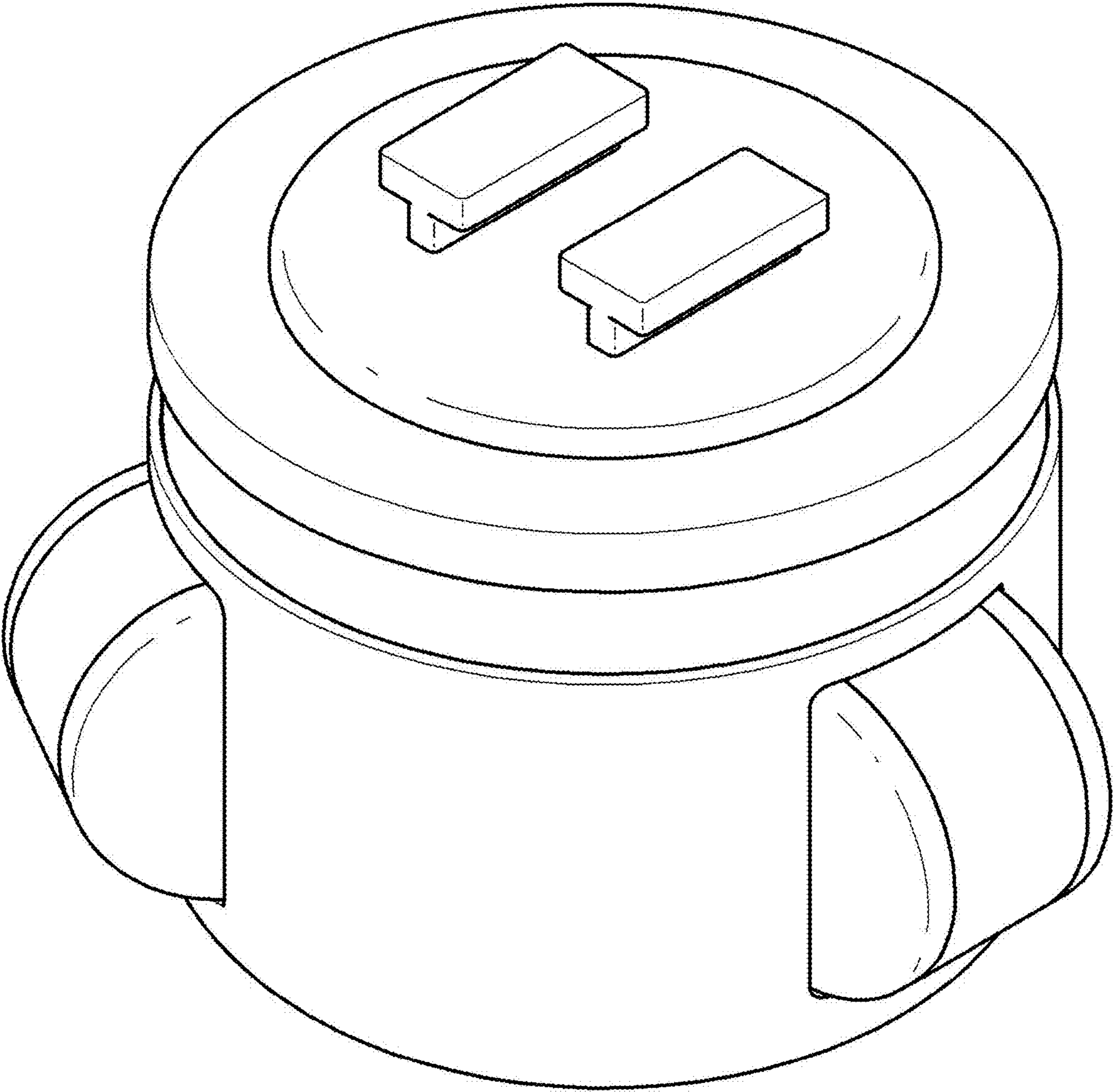
References Cited

U.S. PATENT DOCUMENTS

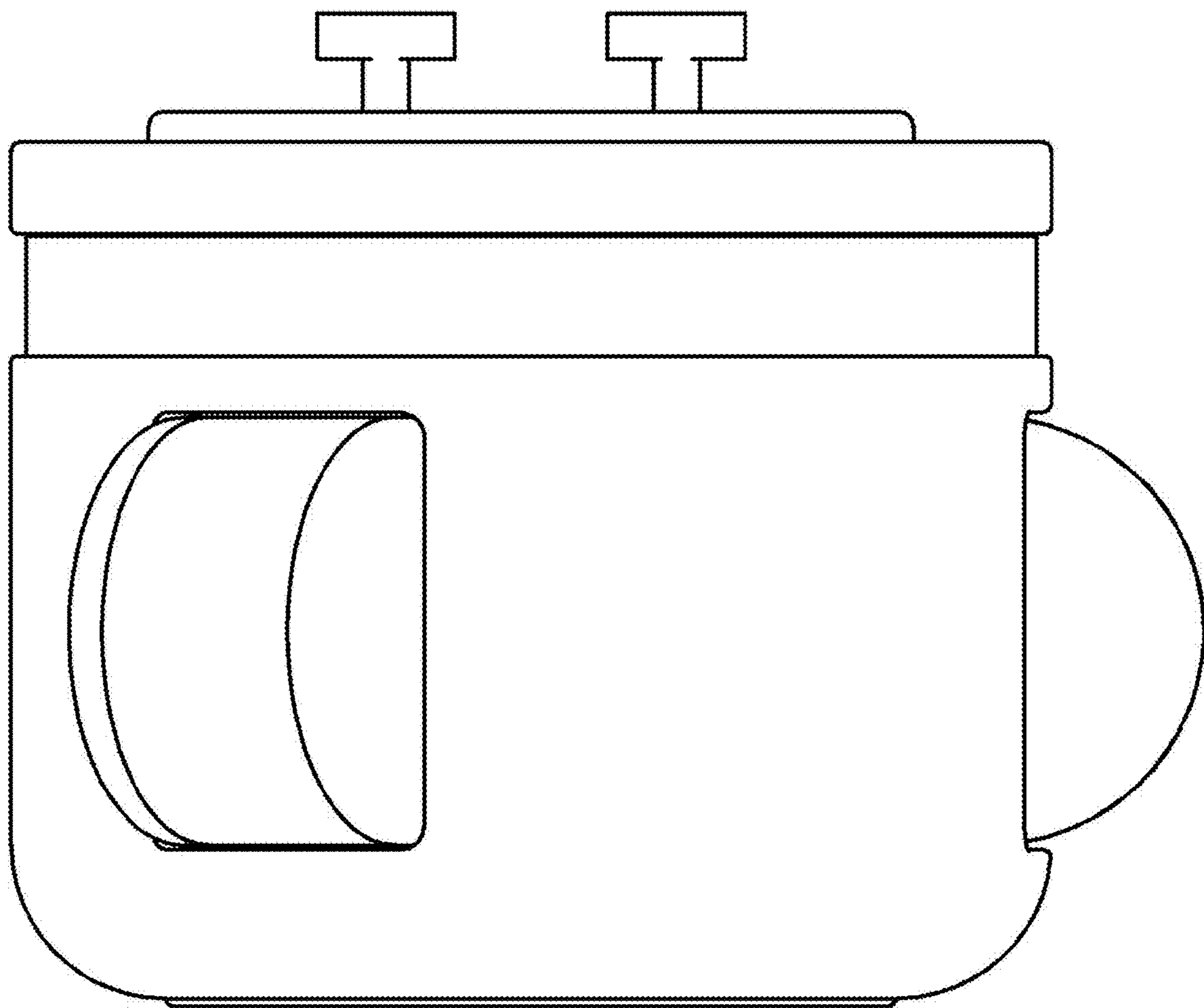
10,576,905	B1 *	3/2020	MacNeil	B60R 11/0241
D890,740	S *	7/2020	Khubani	D14/253
10,717,396	B2 *	7/2020	MacNeil	H04M 1/04
D894,891	S *	9/2020	Zhang	D14/253
10,773,628	B1 *	9/2020	Super	B60N 3/103
D906,229	S *	12/2020	Han	D12/419
10,875,438	B2 *	12/2020	Hopfen	B60N 3/108

* cited by examiner

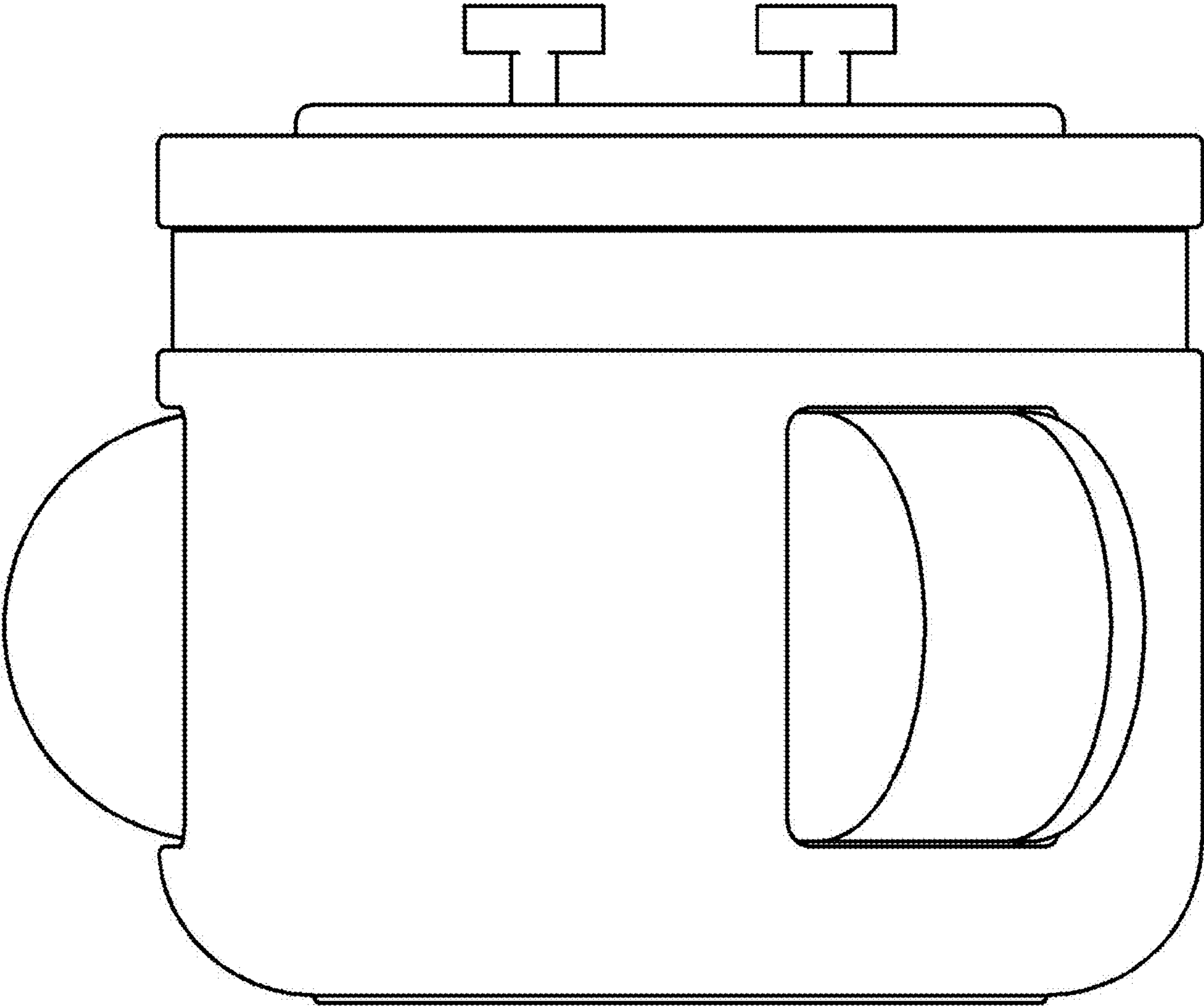
1.1



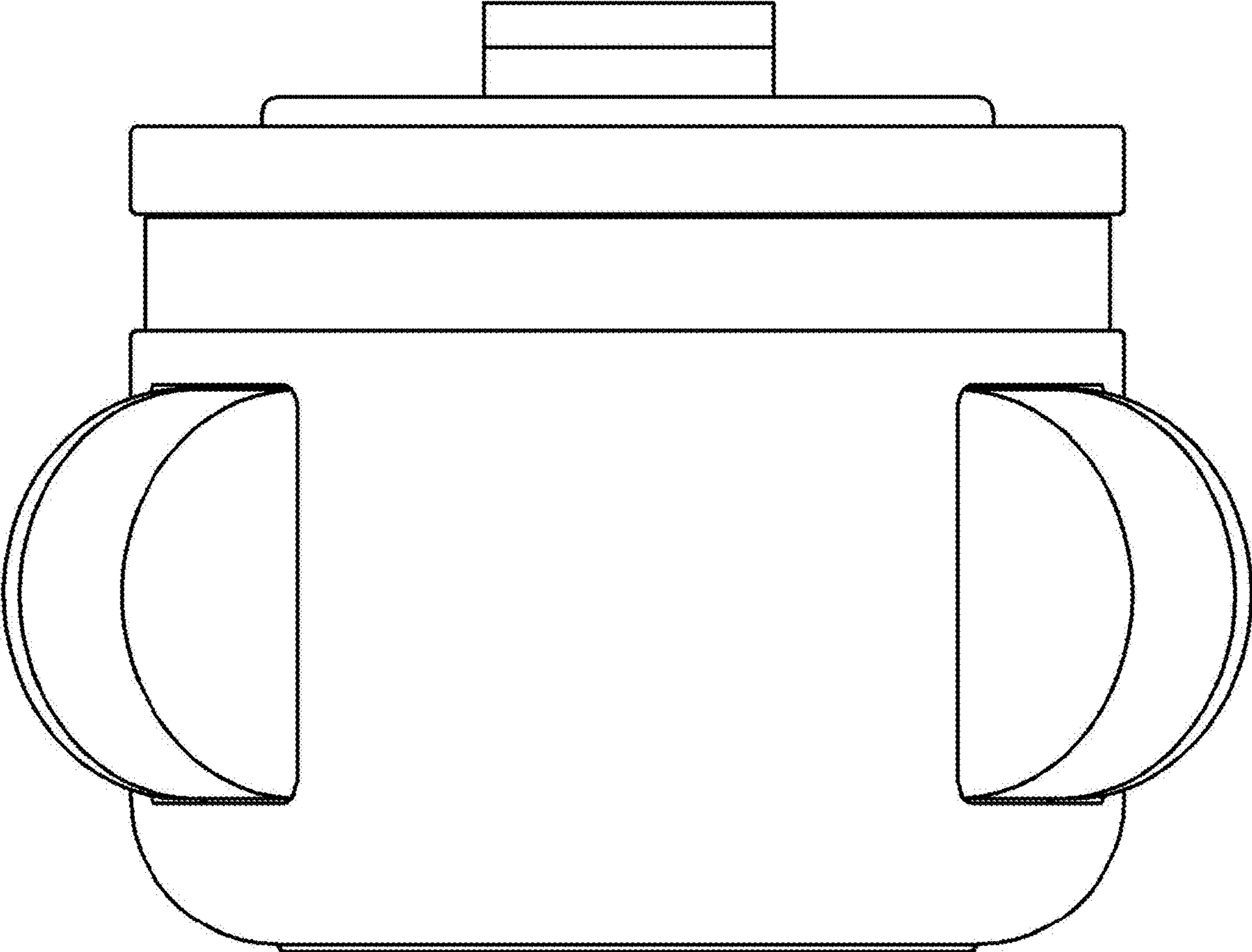
1.2



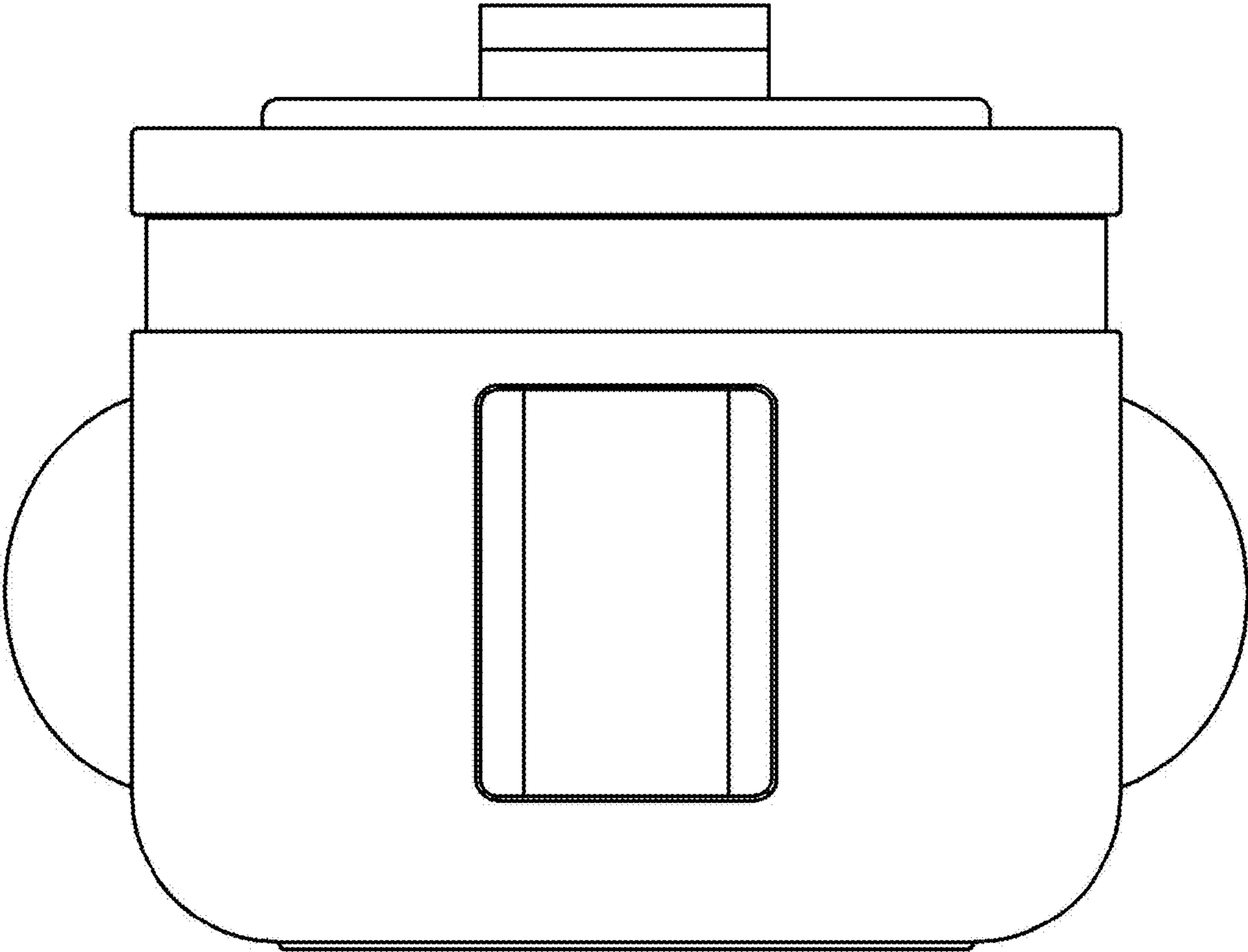
1.3



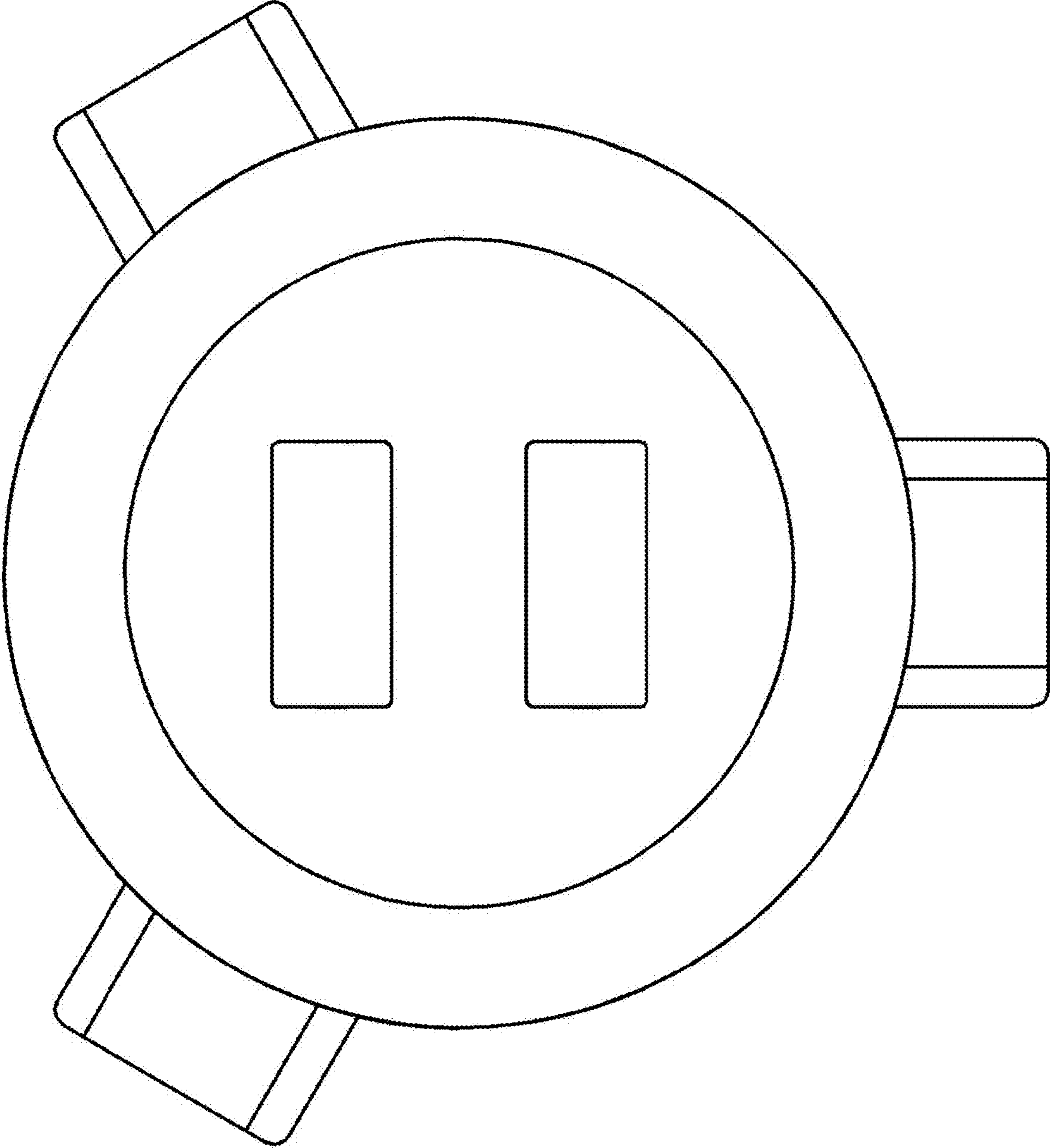
1.4



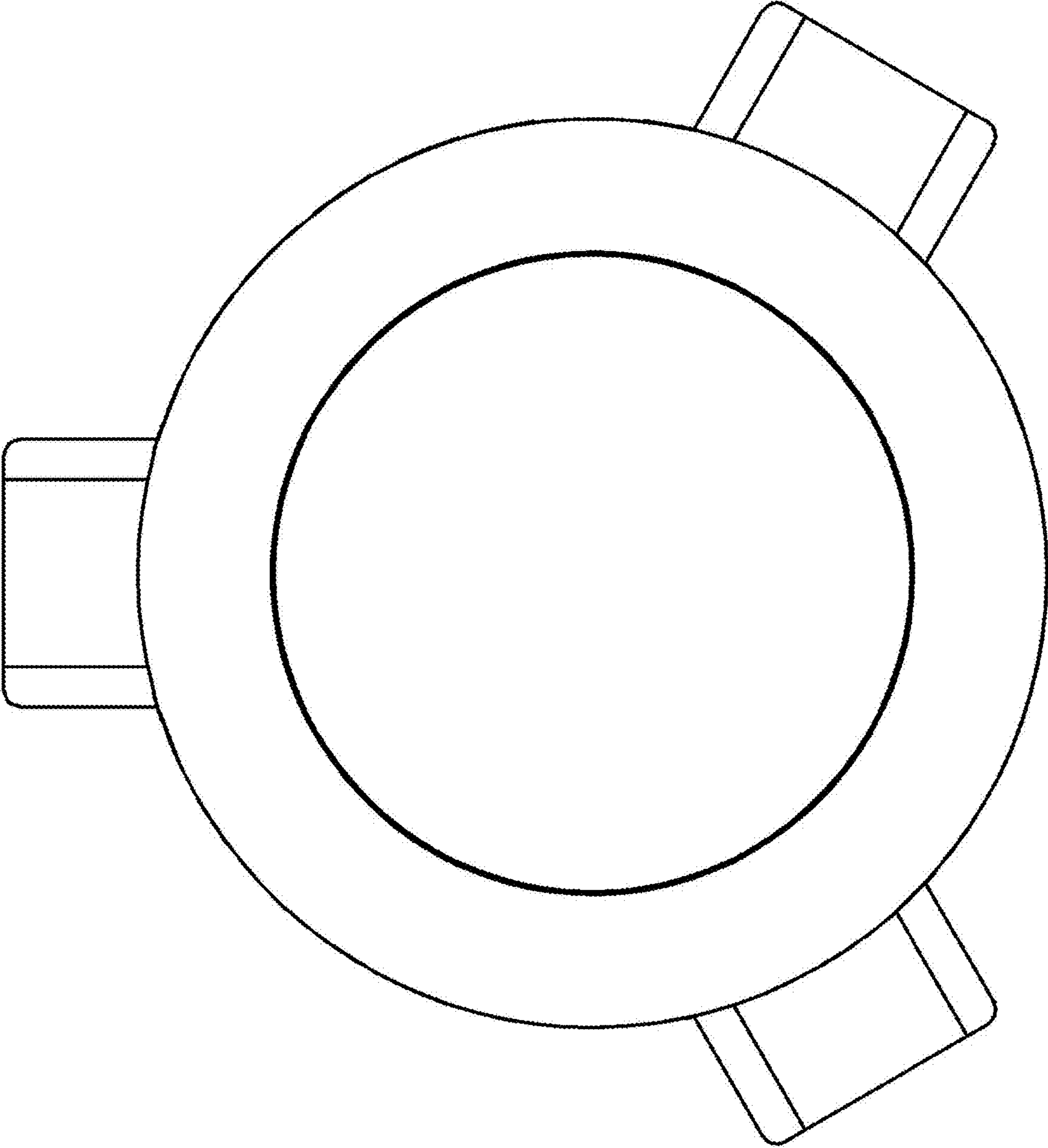
1.5



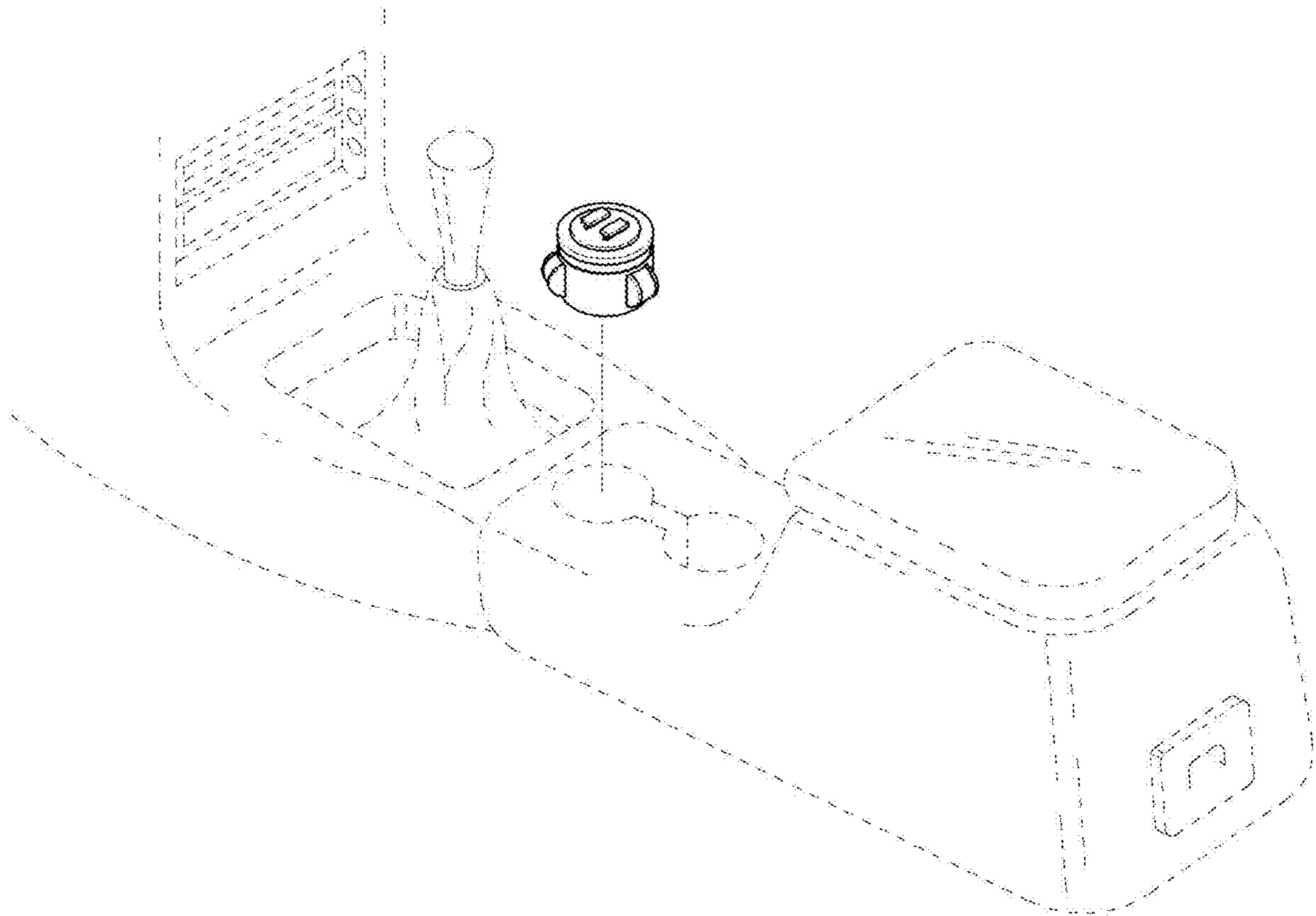
1.6



1.7



1.8



1.9

