



US00D919551S

(12) **United States Design Patent** (10) **Patent No.:** **US D919,551 S**
Reeves et al. (45) **Date of Patent:** **** May 18, 2021**

(54) **CENTRAL CONSOLE**

(71) Applicant: **Polestar Performance AB**, Gothenburg (SE)

(72) Inventors: **Lisa Reeves**, Torslanda (SE); **Juan Pablo Bernal Pabon**, Gothenburg (SE)

(73) Assignee: **POLESTAR PERFORMANCE AB**, Gothenburg (SE)

(**) Term: **15 Years**

(21) Appl. No.: **29/703,431**

(22) Filed: **Aug. 27, 2019**

(51) **LOC (13) Cl.** **12-16**

(52) **U.S. Cl.**
USPC **D12/419**

(58) **Field of Classification Search**
USPC D12/415-420, 400, 195, 191, 106, 345, D12/96, 99, 192, 190, 110, 114; D14/157, 485, 489, 492, 488, 490, 210, D14/224.1, 258, 315; 296/24.3, 37.12, 296/97.1, 37.18; D10/102, 113.4, 49, 46, D10/98, 103, 12-127, 192, 110, 114; D21/477; 362/492
CPC B60R 7/04; B60R 7/06; B60R 7/08; B60R 21/045; B60R 2300/305; B60K 37/00; B60K 37/02; B60K 37/04; B60K 37/06; B60Q 3/225; B60Q 3/233

See application file for complete search history.

(56) **References Cited**

U.S. PATENT DOCUMENTS

D770,968 S *	11/2016	Willis	D12/415
D832,187 S *	10/2018	Buttery	D12/419
D856,265 S *	8/2019	Tomasson	D12/419
D857,611 S *	8/2019	Igarashi	D12/415
D869,380 S *	12/2019	Kabata	D12/415
D876,318 S *	2/2020	Ray	D12/415
D897,932 S *	10/2020	Galdino	D12/415

* cited by examiner

Primary Examiner — Abraham Bahta

(74) *Attorney, Agent, or Firm* — Berenato & White, LLC

(57) **CLAIM**

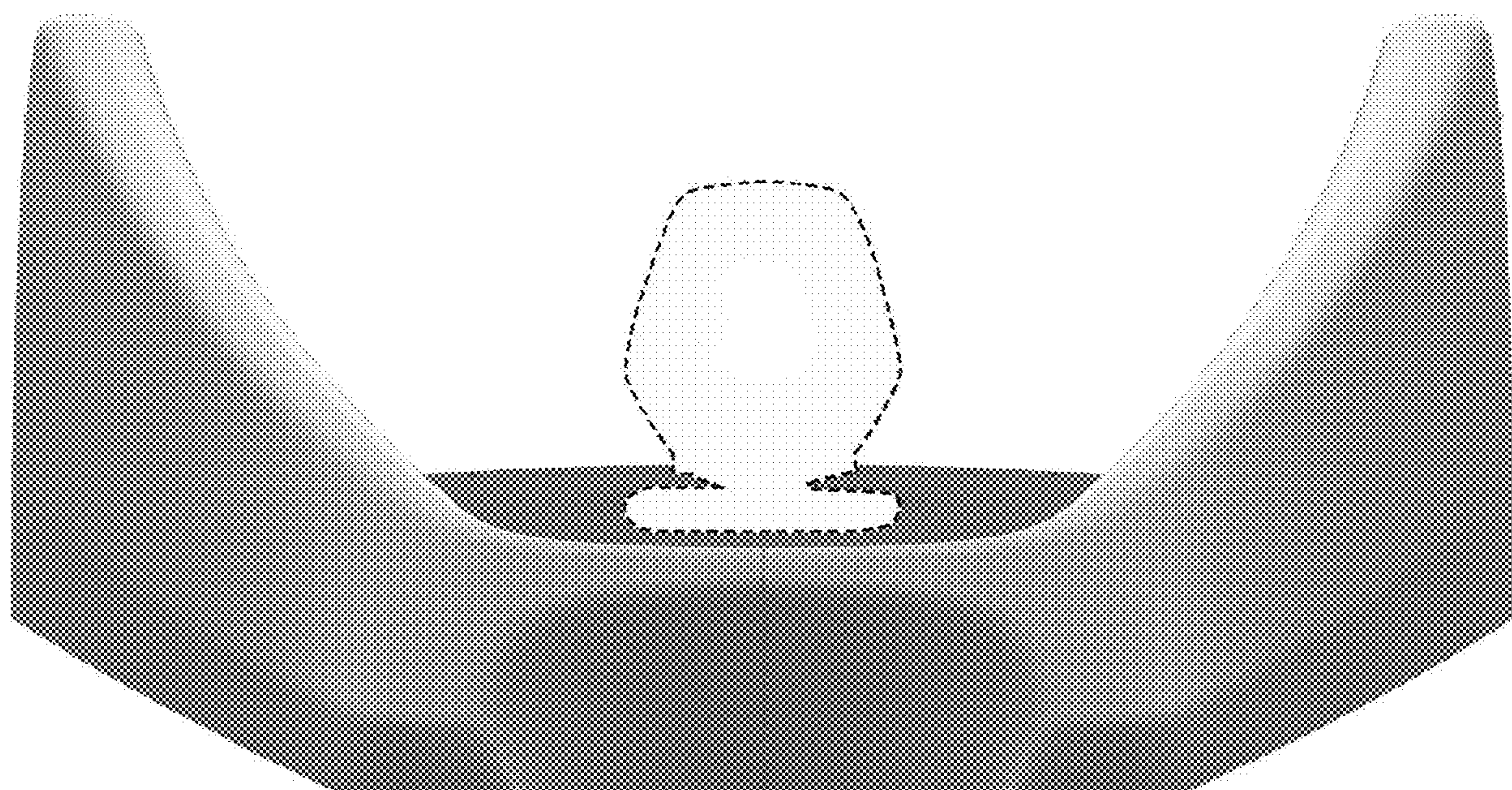
The ornamental design for a central console, as shown and described.

DESCRIPTION

FIG. 1 is a front view of a central console showing our new design;
FIG. 2 is a left side view thereof;
FIG. 3 is a left rear perspective view thereof;
FIG. 4 is a right front perspective view thereof;
FIG. 5 is a right side view thereof;
FIG. 6 is a top view thereof; and,
FIG. 7 is a rear side view thereof.

The broken lines showing portions of the central console are included for the purpose of illustrating environmental structure and forms no part of the claimed design.

1 Claim, 7 Drawing Sheets



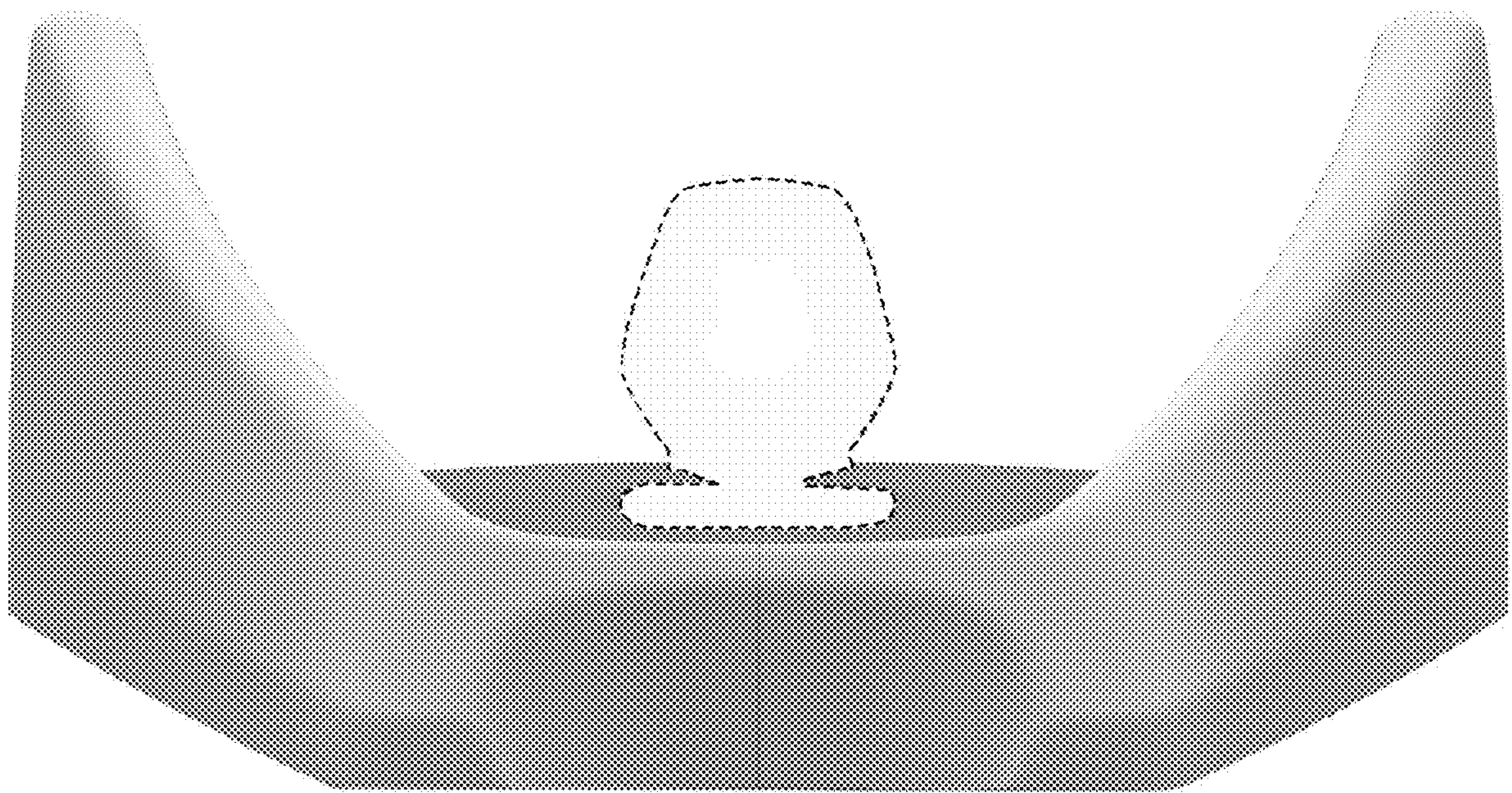


FIG. 1

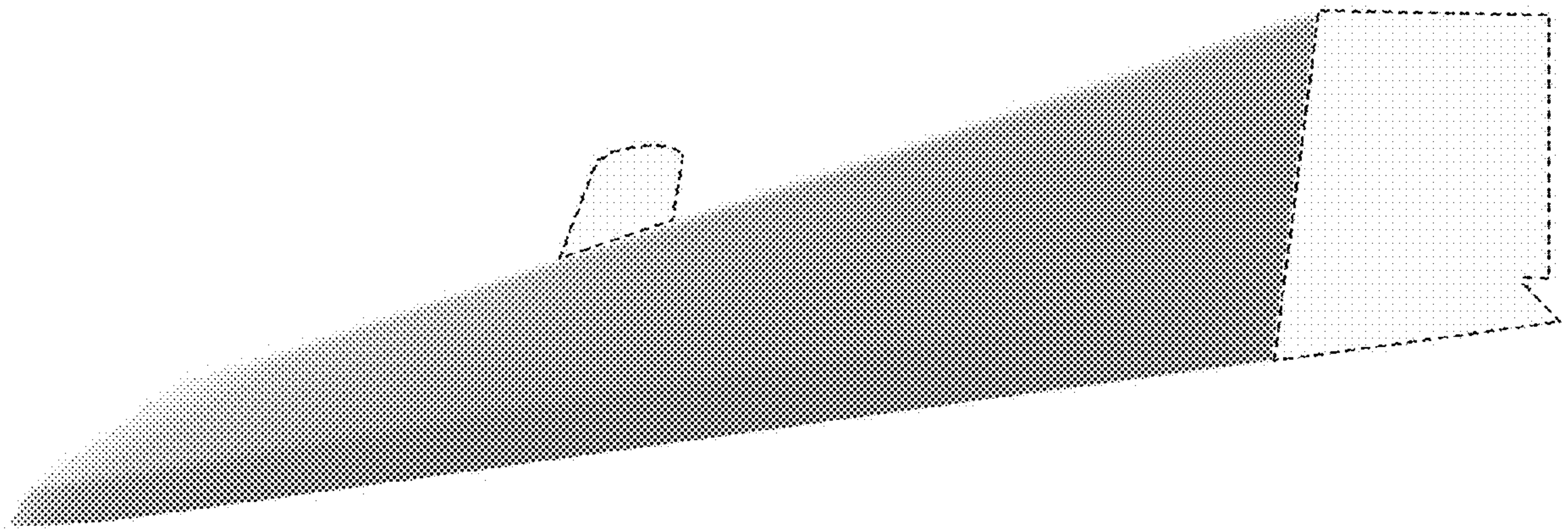


FIG. 2

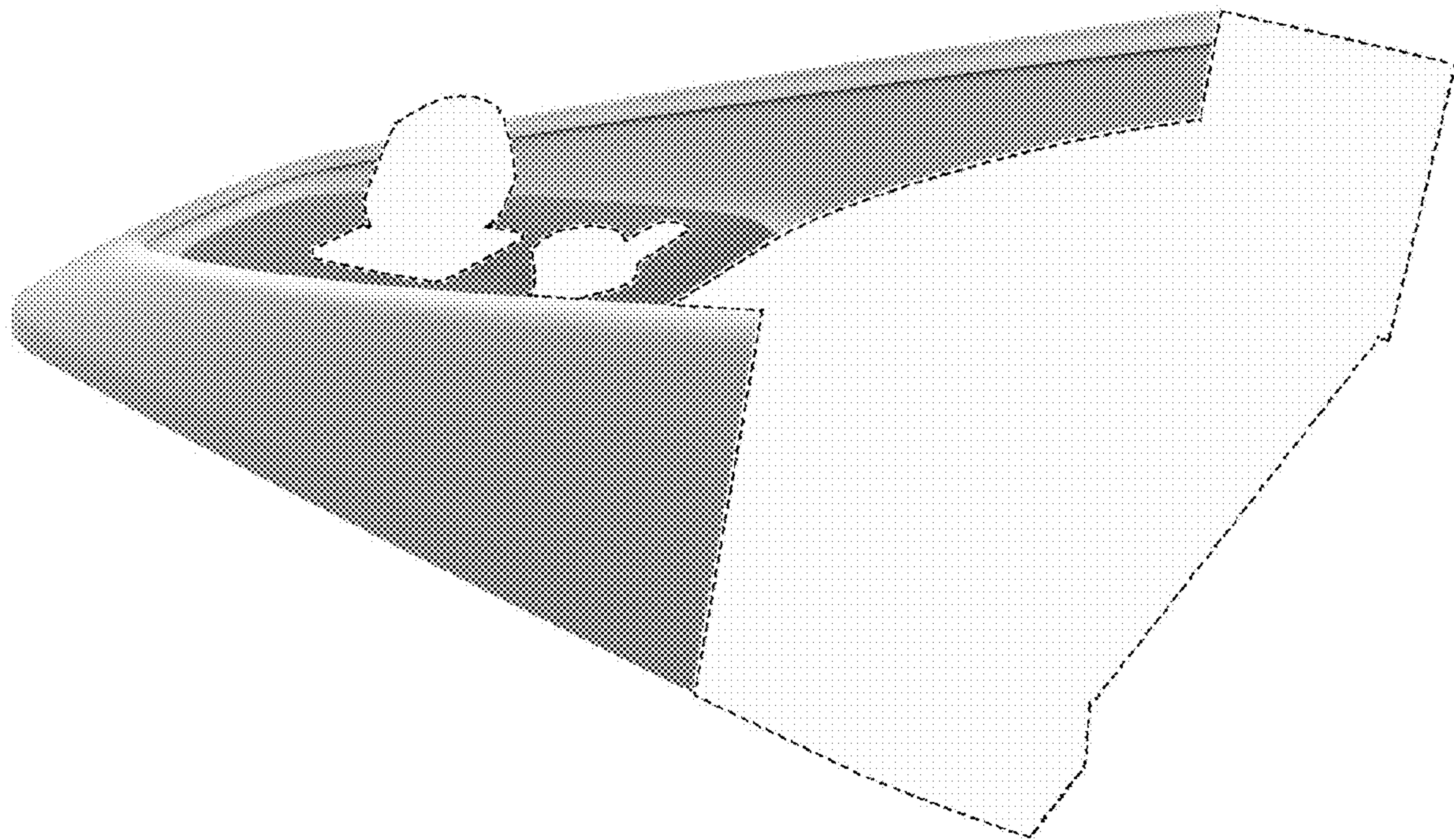


FIG. 3

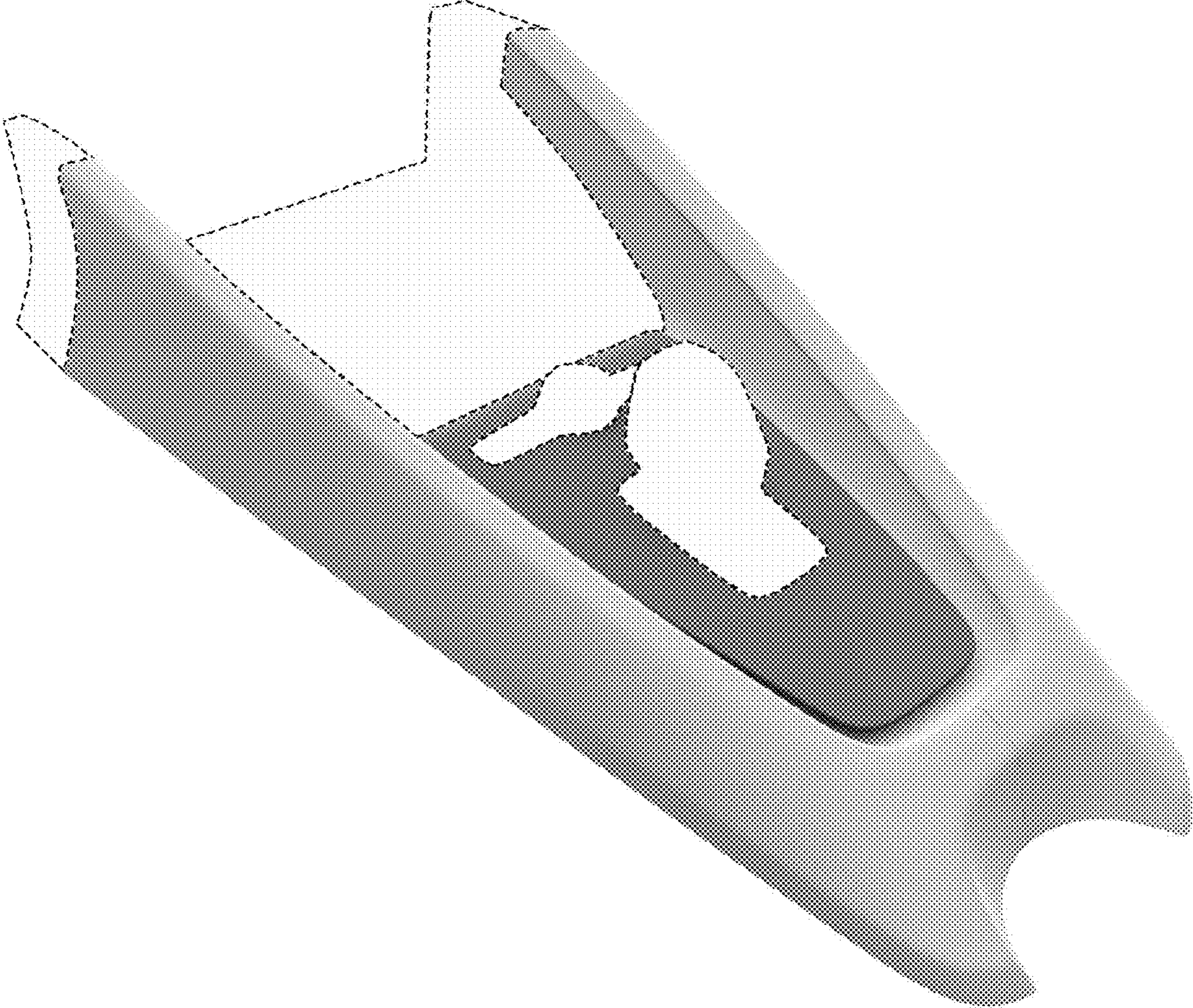


FIG. 4

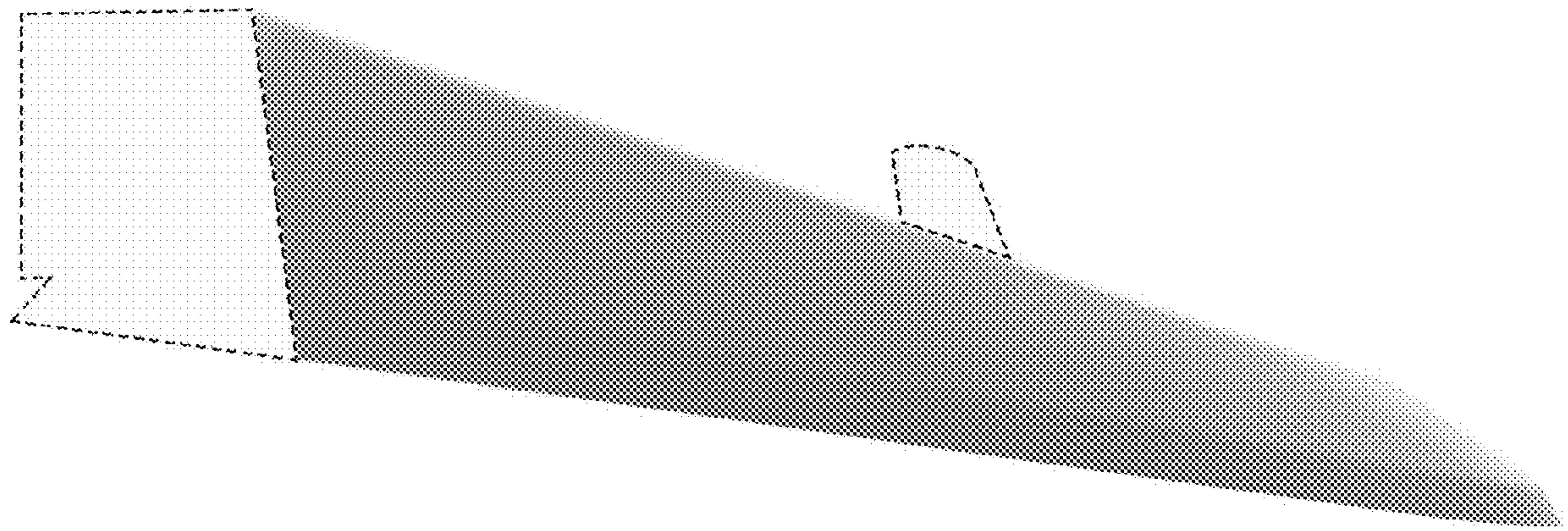


FIG. 5

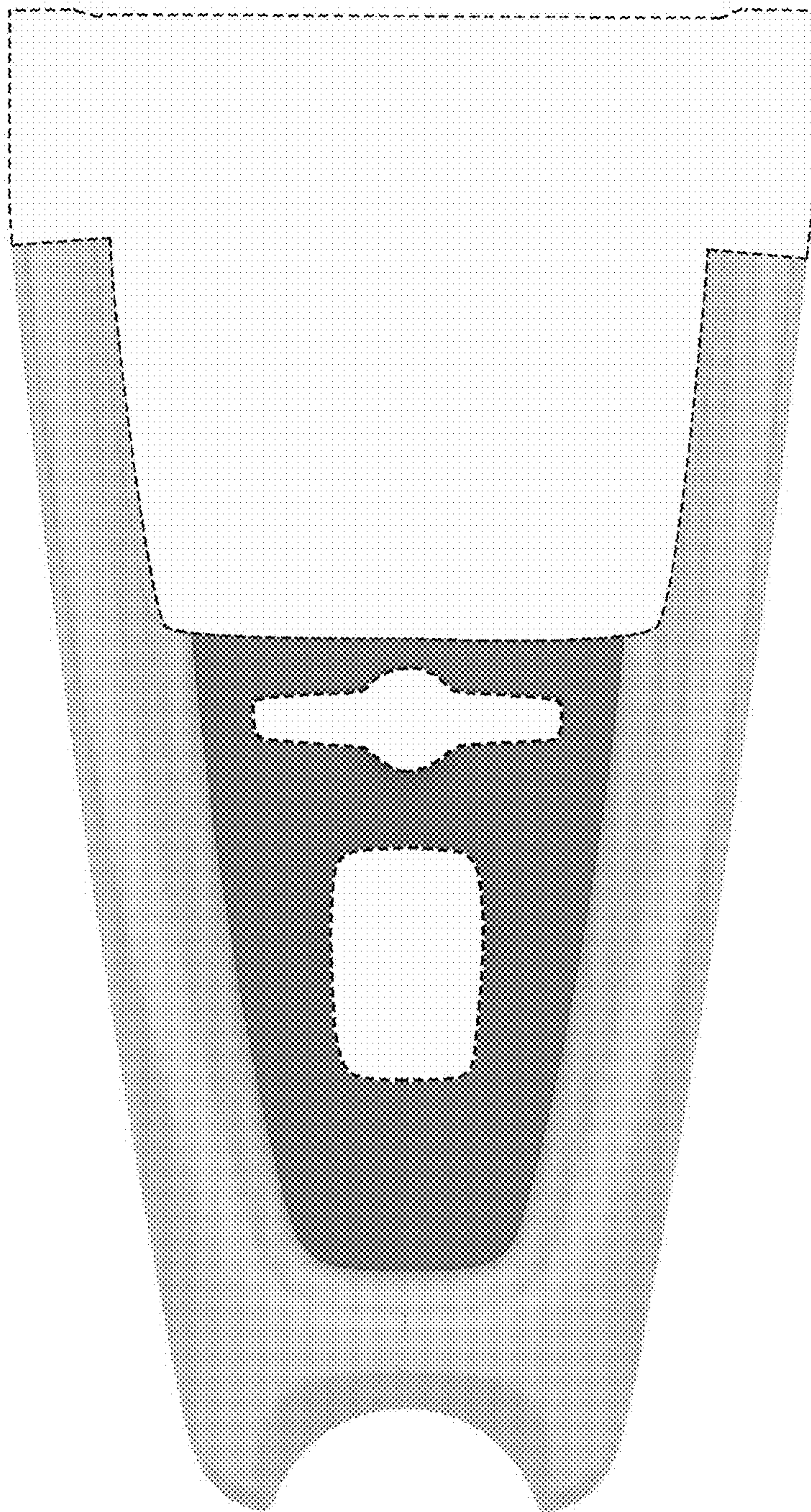


FIG. 6

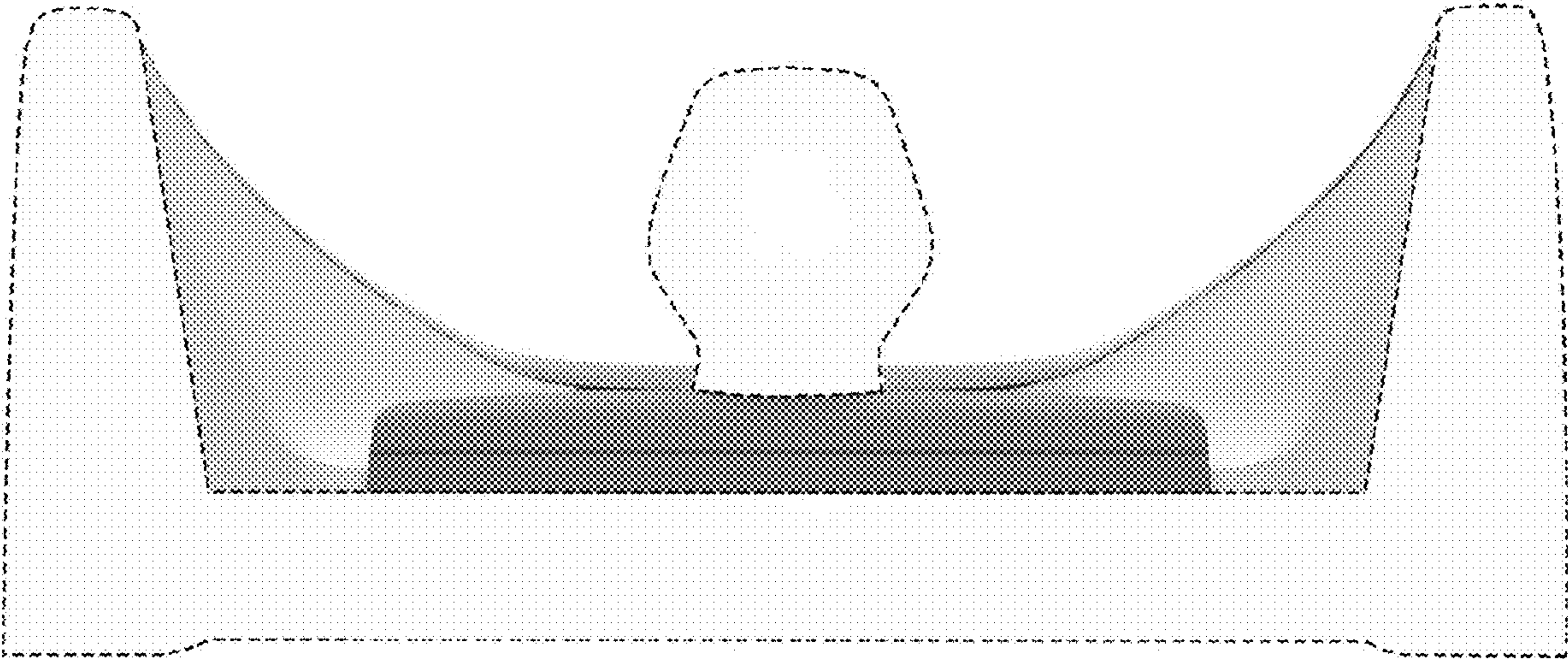


FIG. 7