



US00D919550S

(12) **United States Design Patent**
Teng

(10) **Patent No.:** **US D919,550 S**

(45) **Date of Patent:** **** May 18, 2021**

(54) **FOLDABLE KAYAK RACK FOR VEHICLE ROOF**

(71) Applicant: **Changliang Teng**, Guangdong (CN)

(72) Inventor: **Changliang Teng**, Guangdong (CN)

(**) Term: **15 Years**

(21) Appl. No.: **29/706,248**

(22) Filed: **Sep. 19, 2019**

(51) **LOC (13) Cl.** **12-16**

(52) **U.S. Cl.**

USPC **D12/412**

(58) **Field of Classification Search**

USPC D12/101, 114, 223, 400, 401, 403, 406,
D12/407, 408, 412, 413, 414, 414.1, 115,
D12/404, 409, 410; D21/561; D8/349,
D8/354

CPC B60R 9/00; B60R 9/02; B60R 9/04; B60R
9/06; B60R 9/08; B60R 9/10; B60R
9/045; B60R 9/048; B60R 9/055; B60R
9/058; B60P 3/32; B60P 3/40; B62J 7/00;
B62J 7/04; B62D 33/0207

See application file for complete search history.

(56) **References Cited**

U.S. PATENT DOCUMENTS

D623,584 S * 9/2010 Farber D12/412
7,810,686 B2 * 10/2010 Ilgenfritz B60R 9/08
224/324
D637,949 S * 5/2011 Farber D12/412
8,136,708 B2 * 3/2012 Sautter B60R 9/08
224/321
9,067,522 B2 * 6/2015 Laverack B60P 3/1008

9,126,539 B2 * 9/2015 Sautter B60R 9/08
D751,971 S * 3/2016 Patel D12/406
9,333,922 B2 * 5/2016 Laverack B60R 9/04
D812,546 S * 3/2018 Johnson D12/406
D830,947 S * 10/2018 Adler D12/406
10,384,587 B2 * 8/2019 Flaherty B60P 3/1008
D870,642 S * 12/2019 Adler D12/412
D895,530 S * 9/2020 Lathrop D12/412

OTHER PUBLICATIONS

Ediors Foldable Kayak Rack, www.amazon.com [online]. Published on Jan. 15, 2020, [retrieved on Sep. 21, 2020]. Retrieved from the Internet: <URL:https://www.amazon.com/Ediors-Foldable-Adjustable-Snowboard-Crossbar/dp/B083WH9PC3/ref=sr_1_1?dchild=1&keywords=Ediors+2+Pairs+Folding+Kayak&qid=1600728263&sr=8-1> (Year: 2020).*

* cited by examiner

Primary Examiner — Karen E Kearney

Assistant Examiner — Adam C Mager

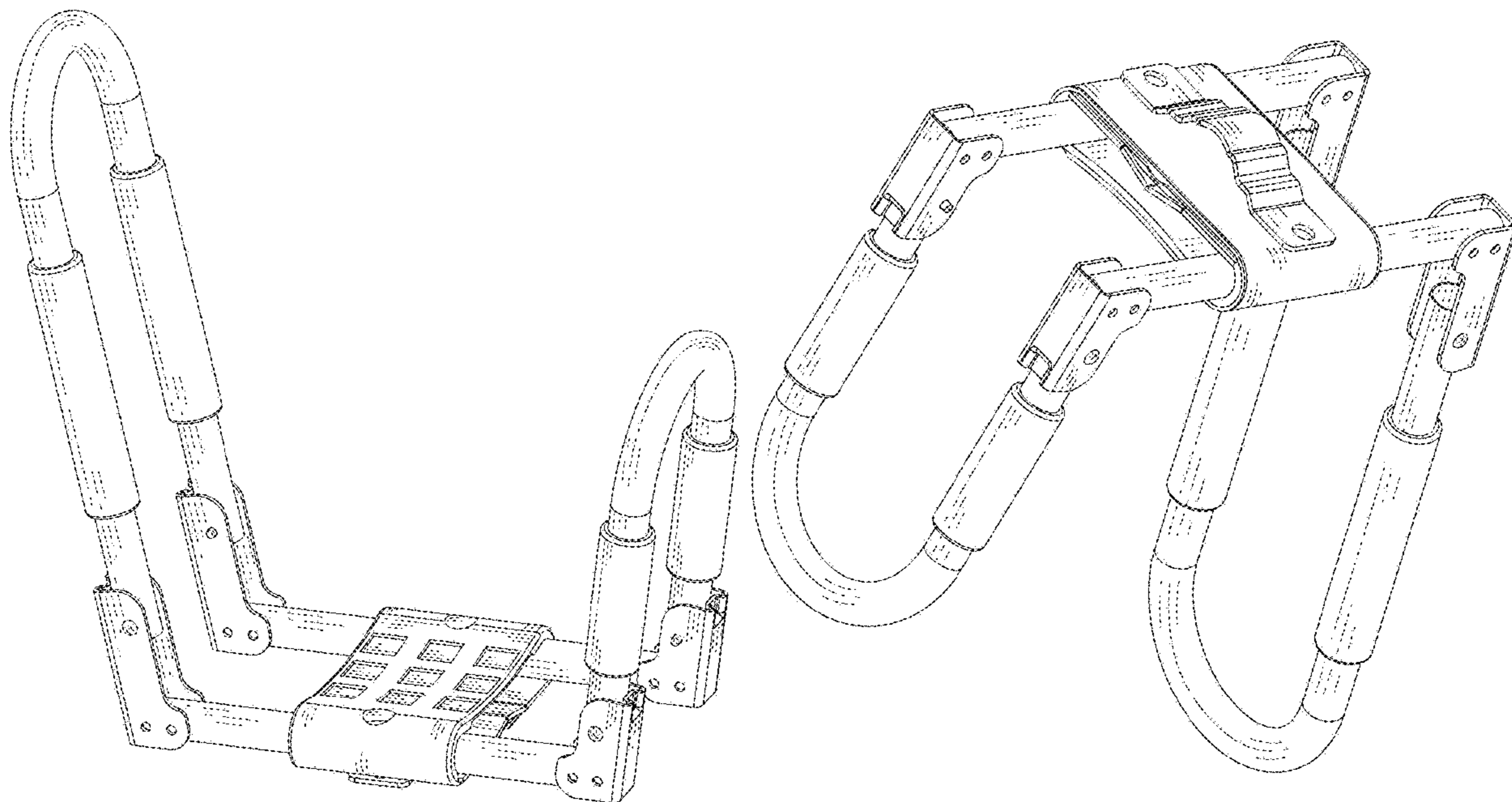
(57) **CLAIM**

The ornamental design for a foldable kayak rack for vehicle roof, as shown and described.

DESCRIPTION

FIG. 1 is a front and top perspective view of a foldable kayak rack for vehicle roof showing my new design; FIG. 2 is a rear and bottom perspective view thereof; FIG. 3 is a front elevation view thereof; FIG. 4 is a rear elevation view thereof; FIG. 5 is a left side elevation view thereof; FIG. 6 is a right side elevation view thereof; FIG. 7 is a top plan view thereof; and, FIG. 8 is a bottom plan view thereof.

1 Claim, 8 Drawing Sheets



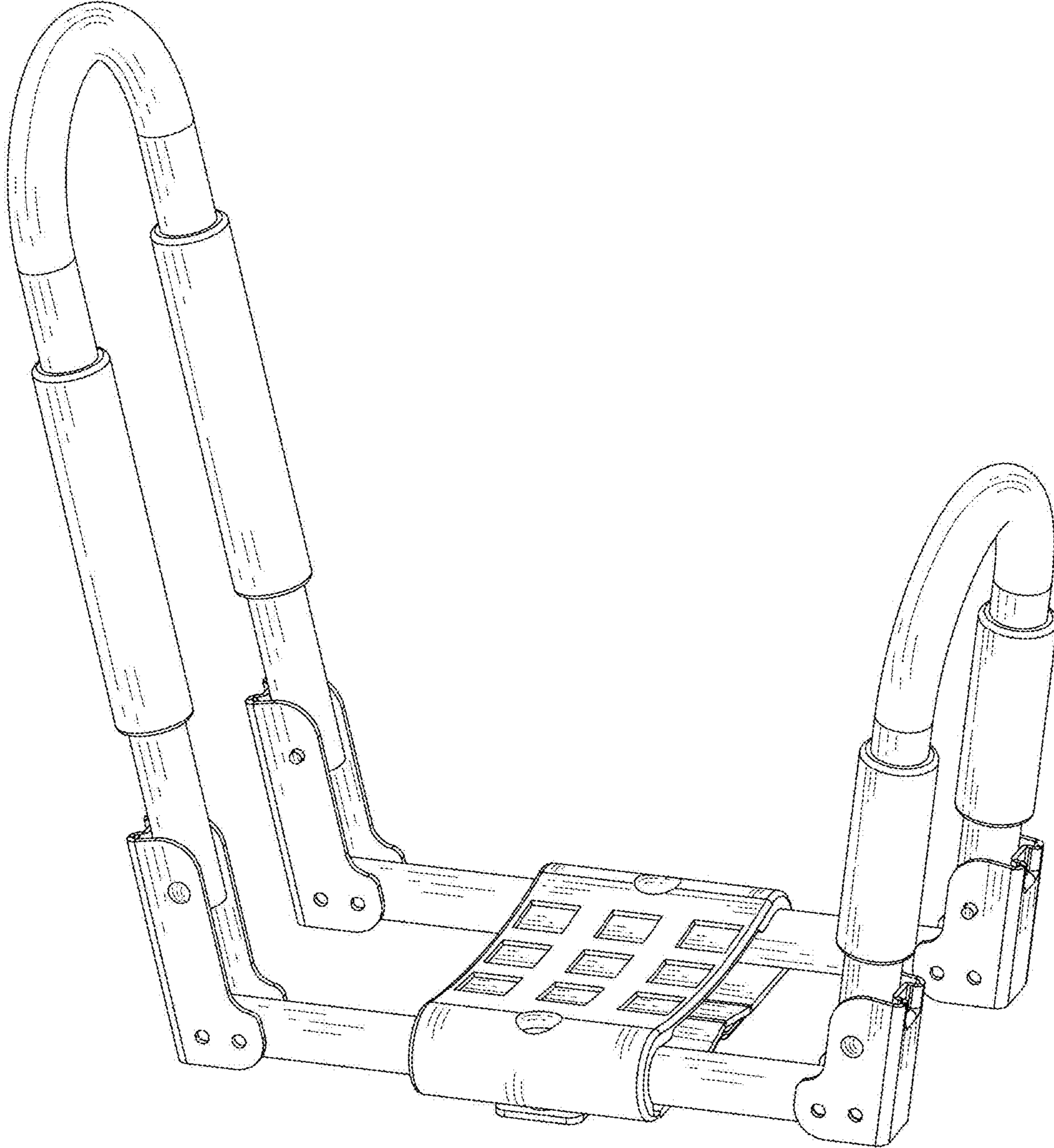


FIG.1

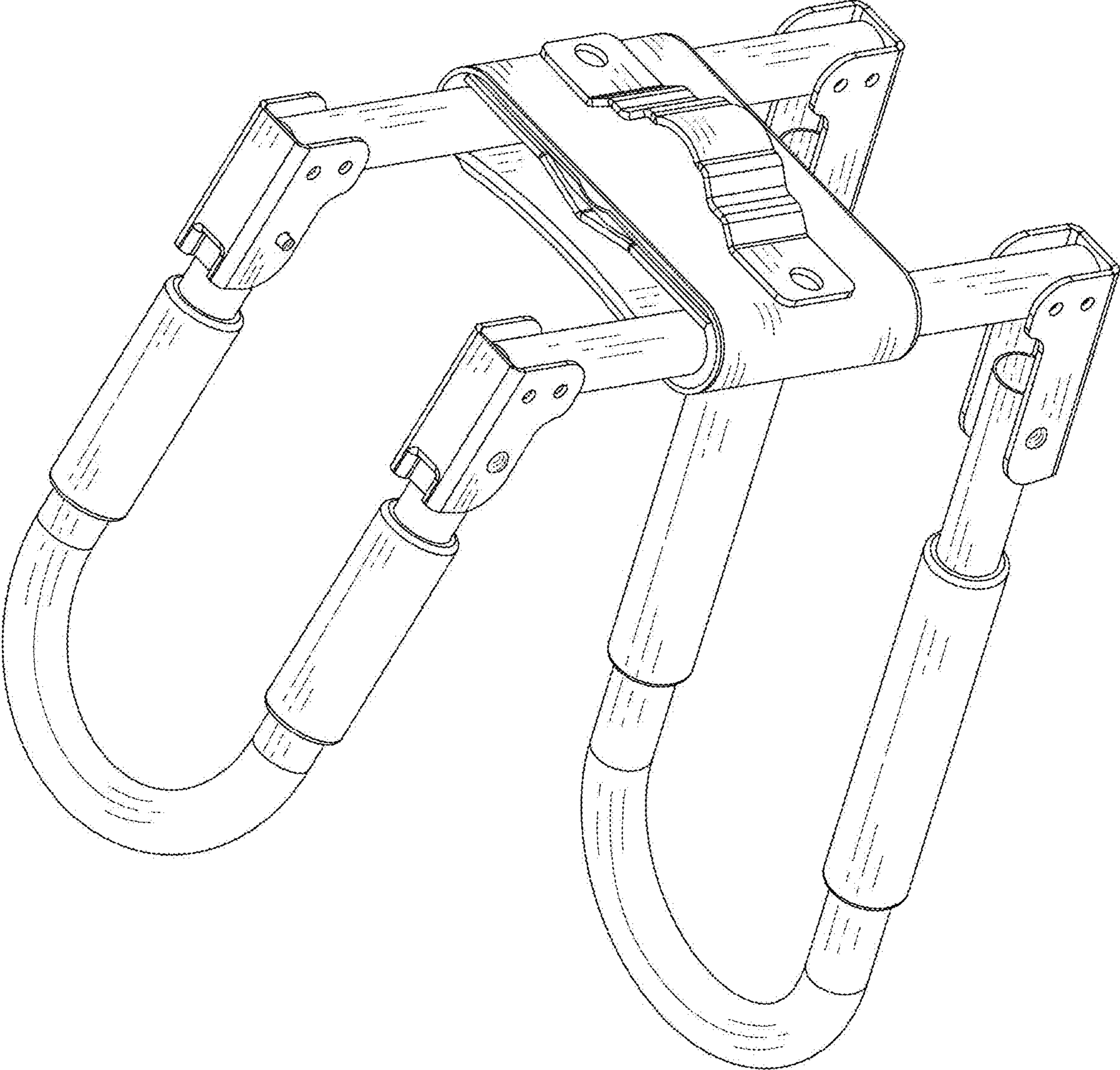


FIG.2

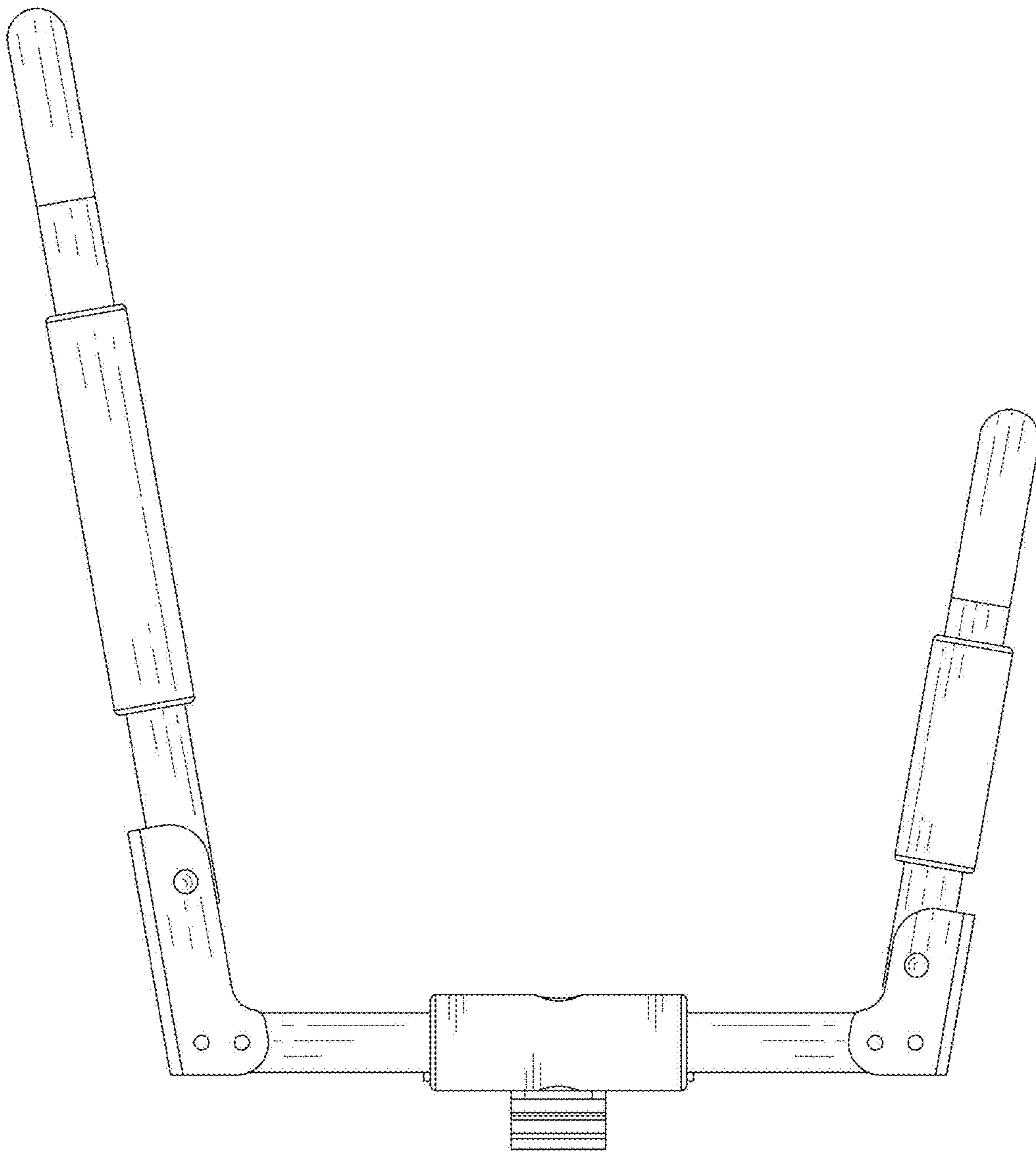


FIG.3

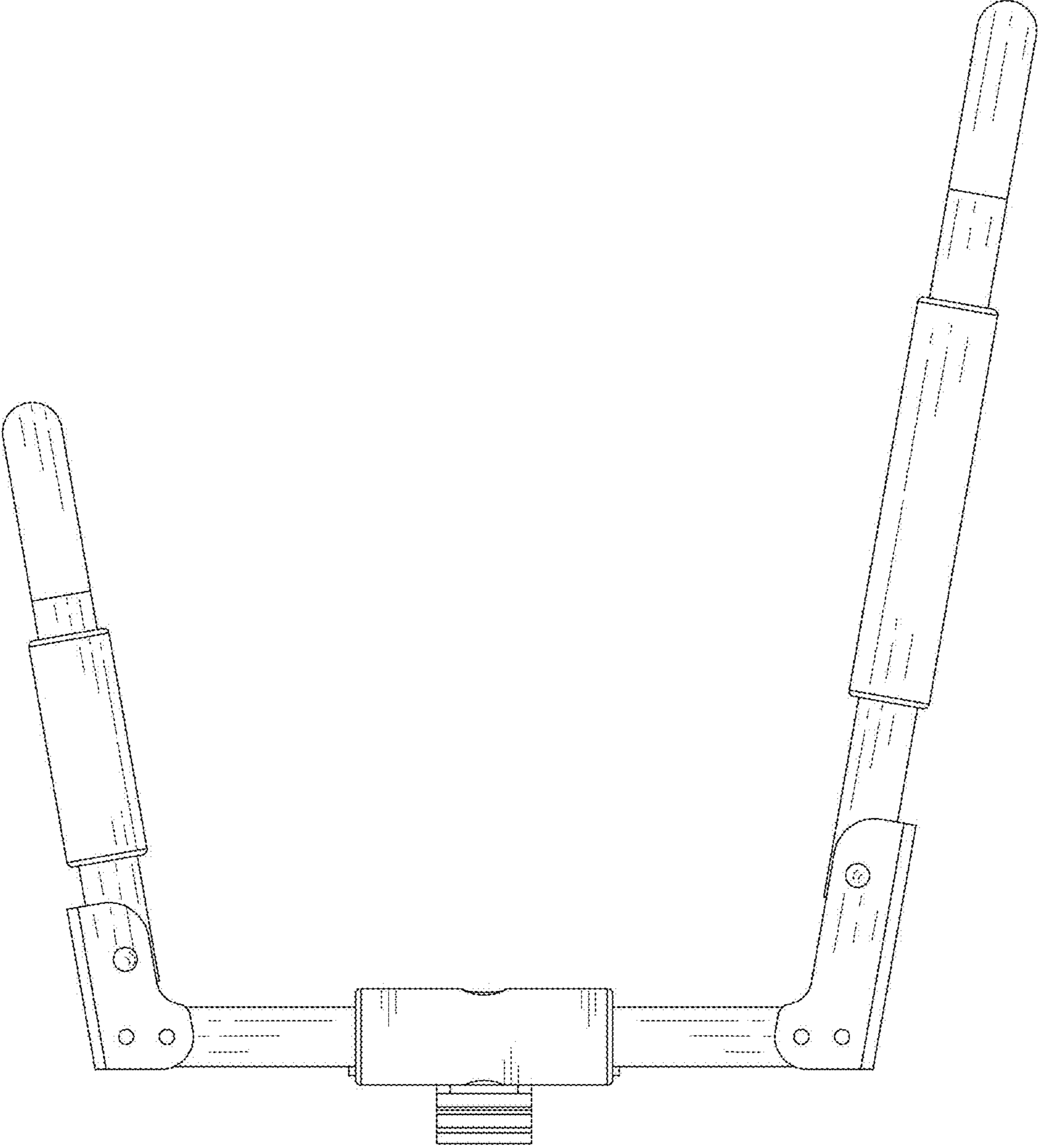


FIG.4

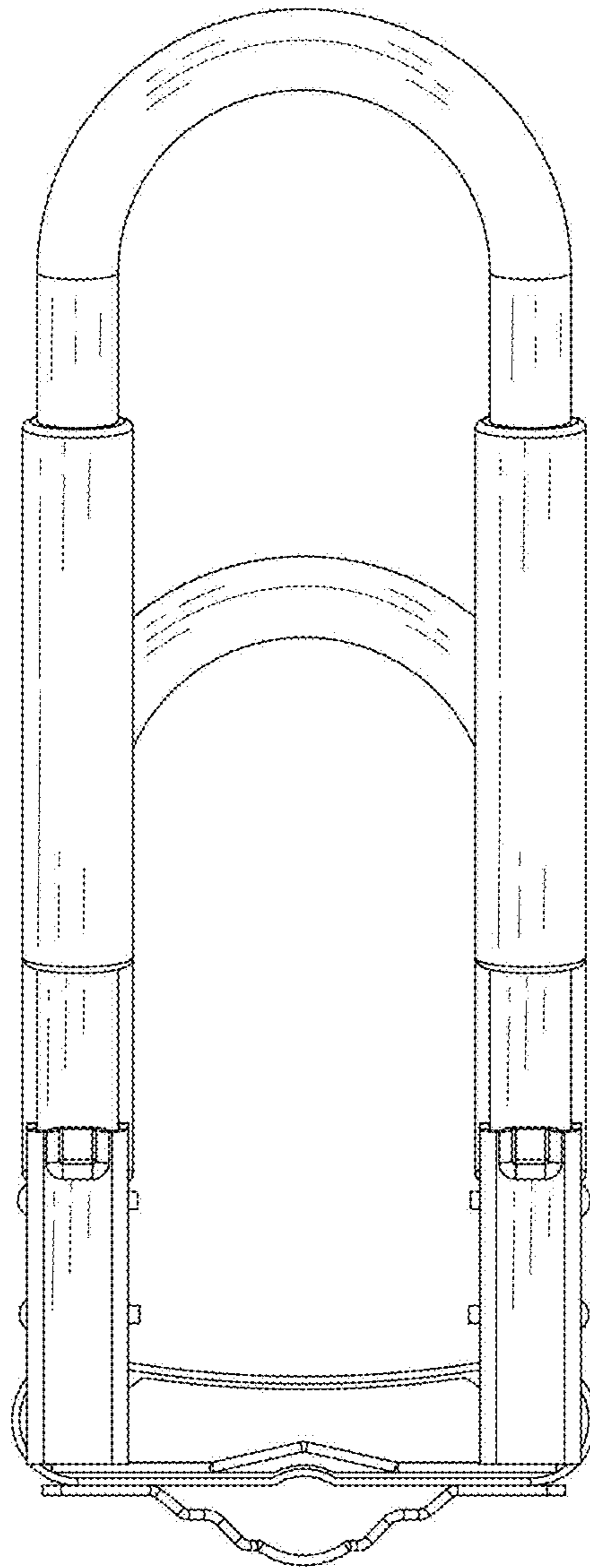


FIG. 5

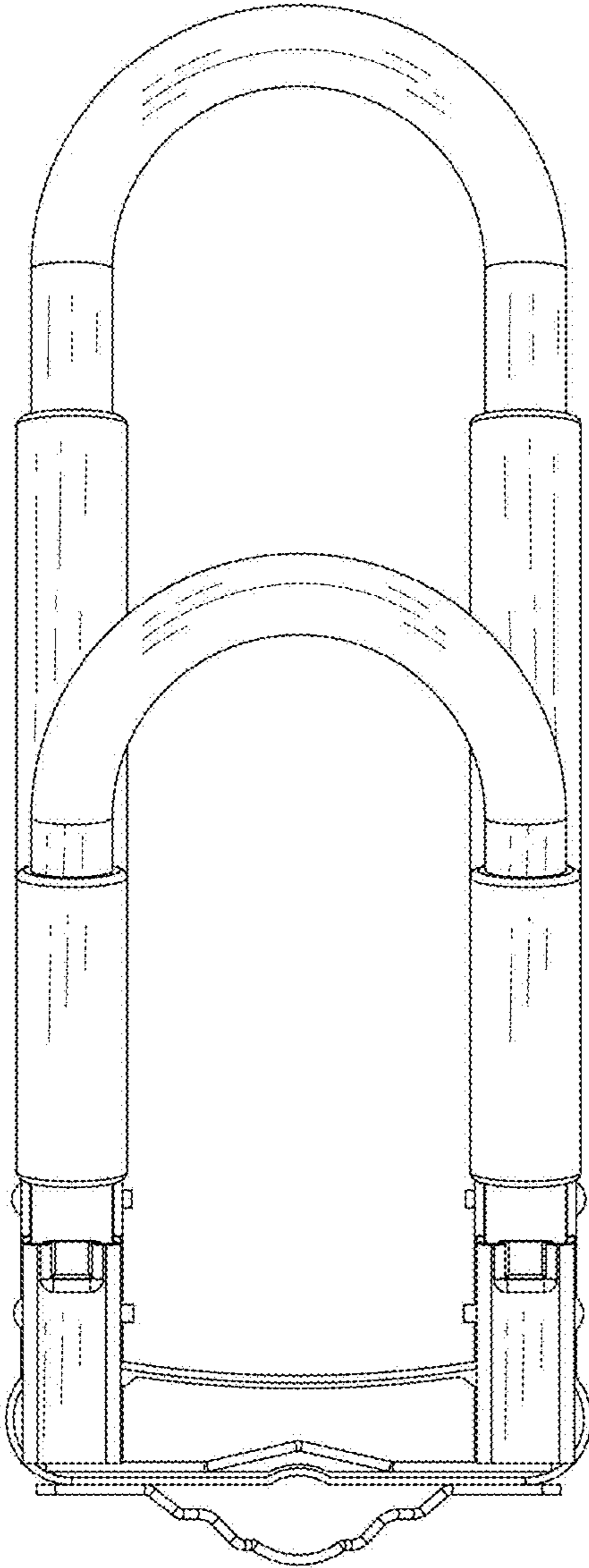


FIG. 6

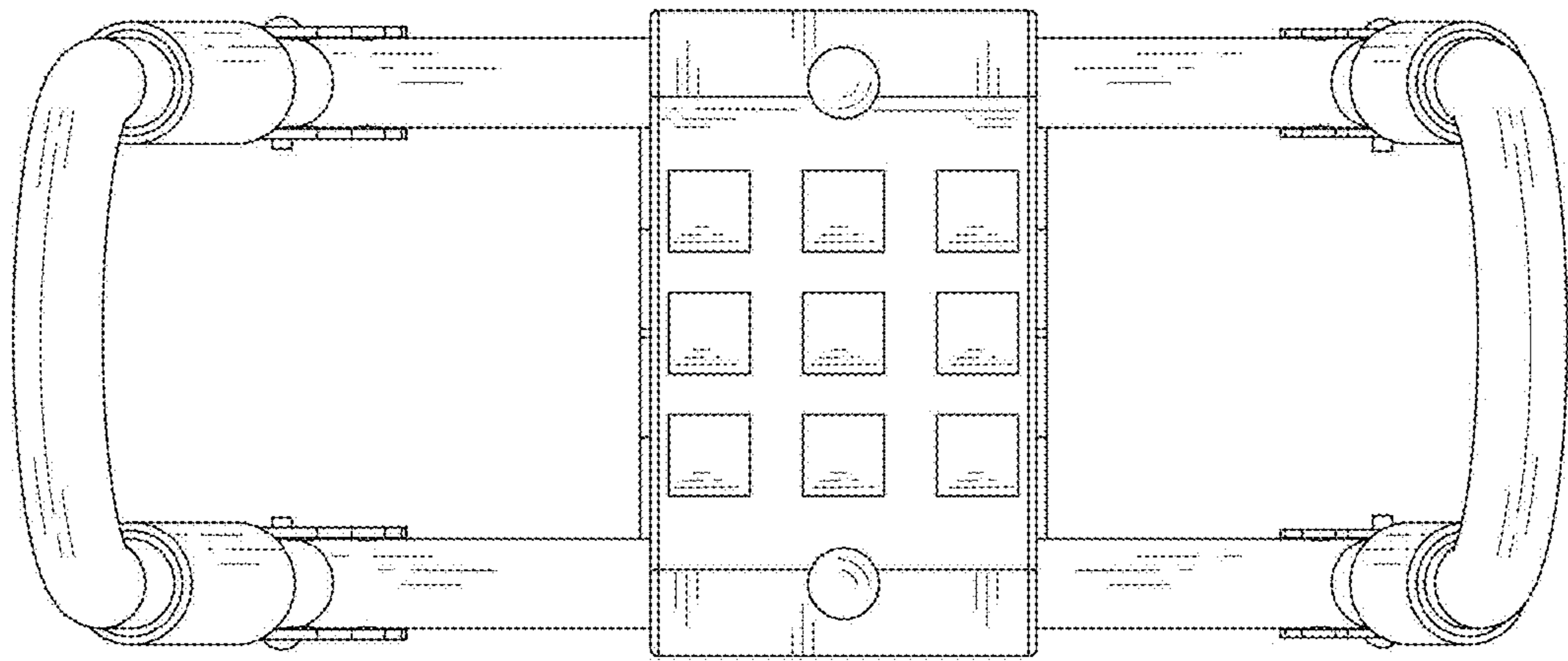


FIG. 7

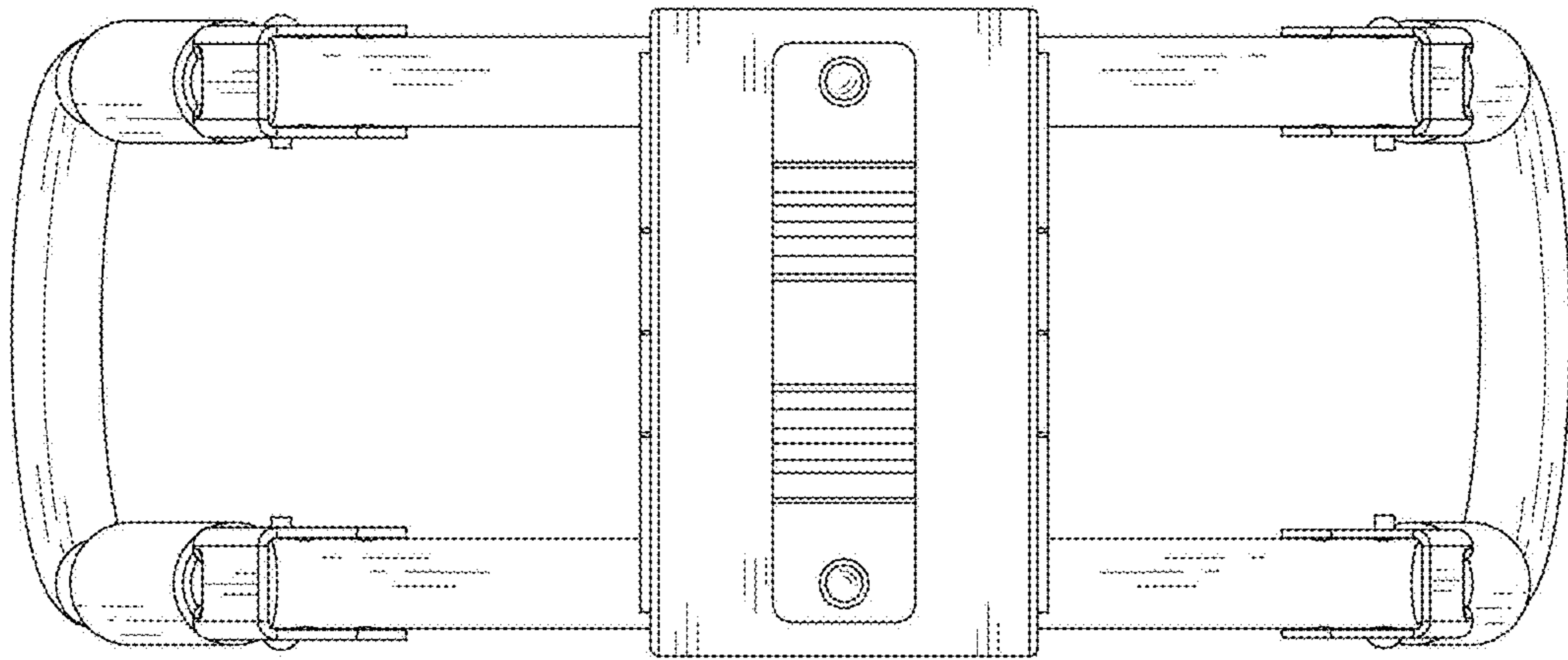


FIG. 8