



US00D919546S

(12) **United States Design Patent**
Sandstrom

(10) **Patent No.:** **US D919,546 S**

(45) **Date of Patent:** **** May 18, 2021**

(54) **SEA CHEST FOR MARINE VESSELS**

(71) Applicant: **Thomas Sandstrom**, Oakland Park, FL (US)

(72) Inventor: **Thomas Sandstrom**, Oakland Park, FL (US)

(**) Term: **15 Years**

(21) Appl. No.: **29/720,195**

(22) Filed: **Jan. 10, 2020**

(51) **LOC (13) Cl.** **12-06**

(52) **U.S. Cl.**

USPC **D12/317**

(58) **Field of Classification Search**

USPC D12/214, 223, 300, 303, 304, 306, 307, D12/310, 311, 312, 313, 314, 315, 316, D12/317, 318, 400, 415; D23/259, 260, D23/261, 262, 263, 264, 265, 267, 268, D23/269

CPC ... B63B 2013/005; B63B 13/00; B63B 13/02; B63B 34/00; B63B 34/05; B63B 34/10; B63B 2035/002; B63B 2035/004; B63B 3/00; B63B 3/14; B63B 17/00; B63B 35/00; B63H 11/00; F16L 41/08; F16L 41/086; F16L 41/10; F16L 41/12; F16L 41/14; F16L 41/16; F16L 55/07; B01D 29/21; B01D 29/54; B01D 29/6446; C02F 1/00; C02F 1/004; B63J 4/002
See application file for complete search history.

(56) **References Cited**

U.S. PATENT DOCUMENTS

- 1,101,286 A * 6/1914 Jones A45C 11/00 220/824
- 1,522,053 A * 1/1925 Griesemer E02B 13/02 137/613
- 2,450,070 A * 9/1948 Wright B01D 21/267 114/269
- 2,939,481 A * 6/1960 Hobson B63B 13/00 137/590

- 3,306,709 A * 2/1967 Atkinson C02F 1/688 422/277
- D343,682 S * 1/1994 Cattaoris D24/162
- 5,692,451 A 12/1997 Passtore
- D402,013 S * 12/1998 Saffrey D23/263
- D473,925 S * 4/2003 Melton D23/209
- D545,955 S * 7/2007 Arias D23/365

(Continued)

FOREIGN PATENT DOCUMENTS

WO WO-2017003058 A1 * 1/2017 B63B 3/14

OTHER PUBLICATIONS

Sea Chest, Published date unavailable [online], [retrieved on Jan. 12, 2021]. Retrieved from the Internet: <https://www.made-in-china.com/showroom/limingzheng/product-detailXjdQRVEJXbWk/China-Scrubber-Sea-Chest-Strainer-Manufacturer-in-China-DN900-DN800-DN1000.html> (Year: 2021).*

Primary Examiner — Karen E Kearney

Assistant Examiner — Adam C Mager

(74) *Attorney, Agent, or Firm* — Mark D. Bowen; Malin Haley DiMaggio & Bowen, P.A.

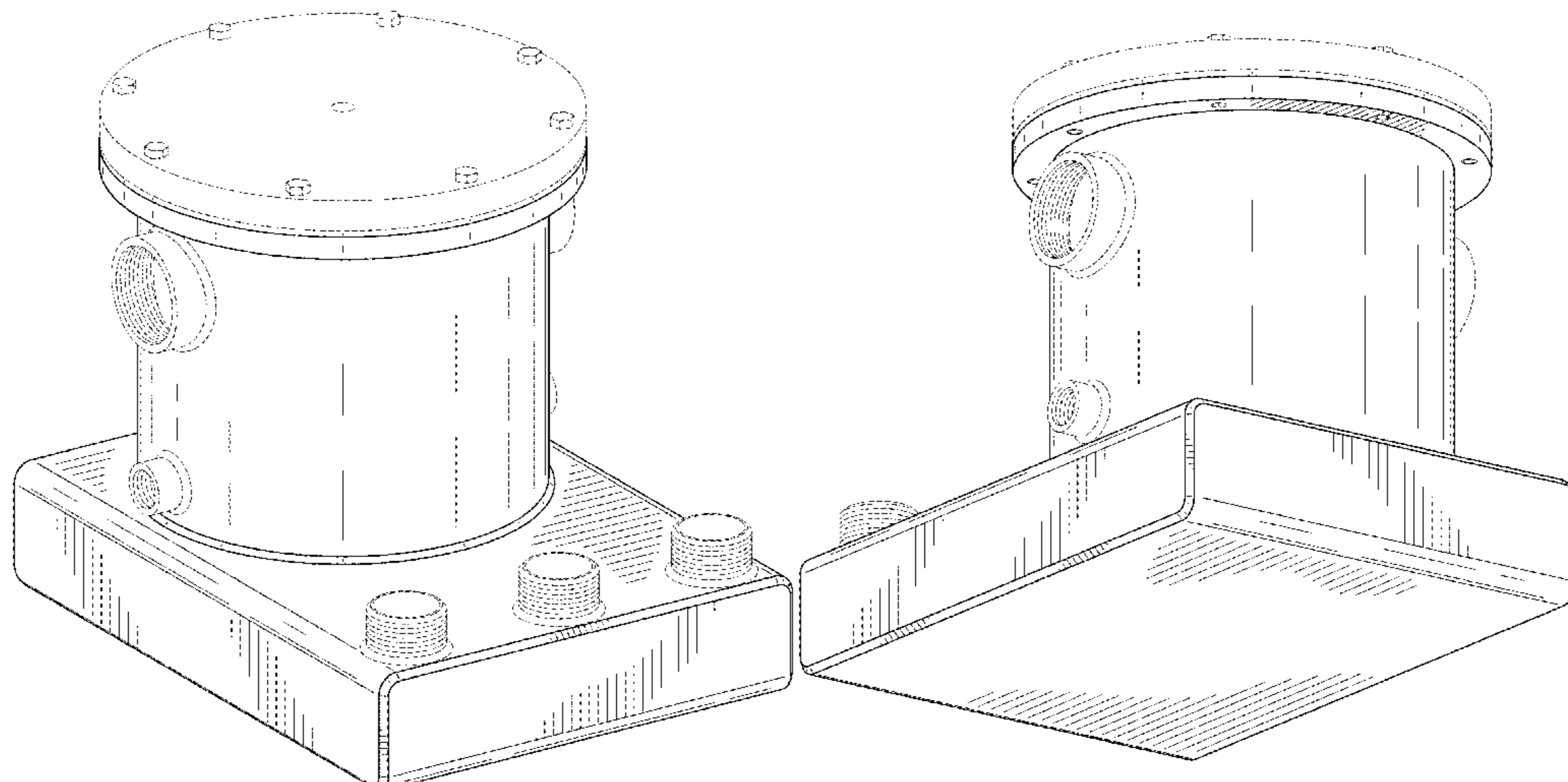
(57) **CLAIM**

The ornamental design for a sea chest for marine vessels, as shown and described.

DESCRIPTION

FIG. 1 is a top front perspective view of a sea chest for marine vessels in accordance with the present invention; FIG. 2 is a bottom rear perspective view thereof; FIG. 3 is a top view thereof; FIG. 4 is a bottom view thereof; FIG. 5 is a left side view thereof, with the right side view being a mirror image; FIG. 6 is a front view thereof; and, FIG. 7 is a rear view thereof. The broken lines in FIGS. 1-3 and 5-7 form no part of the claimed design.

1 Claim, 7 Drawing Sheets



(56)

References Cited

U.S. PATENT DOCUMENTS

8,215,254 B2 7/2012 Paylow
D719,635 S * 12/2014 Reed D23/209
D760,346 S * 6/2016 Davis, III D23/207
10,137,966 B1 * 11/2018 Mills B63B 39/03
10,267,316 B1 * 4/2019 Sandstrom H02K 5/10
D877,864 S * 3/2020 Kowalchuk D23/261
D896,662 S * 9/2020 Chapman D10/65
D905,842 S * 12/2020 Rahn D23/365
2012/0312757 A1 * 12/2012 Ueyama B01D 33/39
210/780
2014/0042062 A1 2/2014 DeCosta
2014/0299527 A1 * 10/2014 Lee B01D 29/52
210/108
2015/0239751 A1 * 8/2015 Lee C02F 1/325
250/431
2016/0067636 A1 * 3/2016 Lee C02F 1/004
210/741
2018/0111069 A1 * 4/2018 Saito B01D 33/503
2018/0353967 A1 * 12/2018 Kim B01D 29/01
2019/0046901 A1 * 2/2019 Boyd C02F 1/004

* cited by examiner

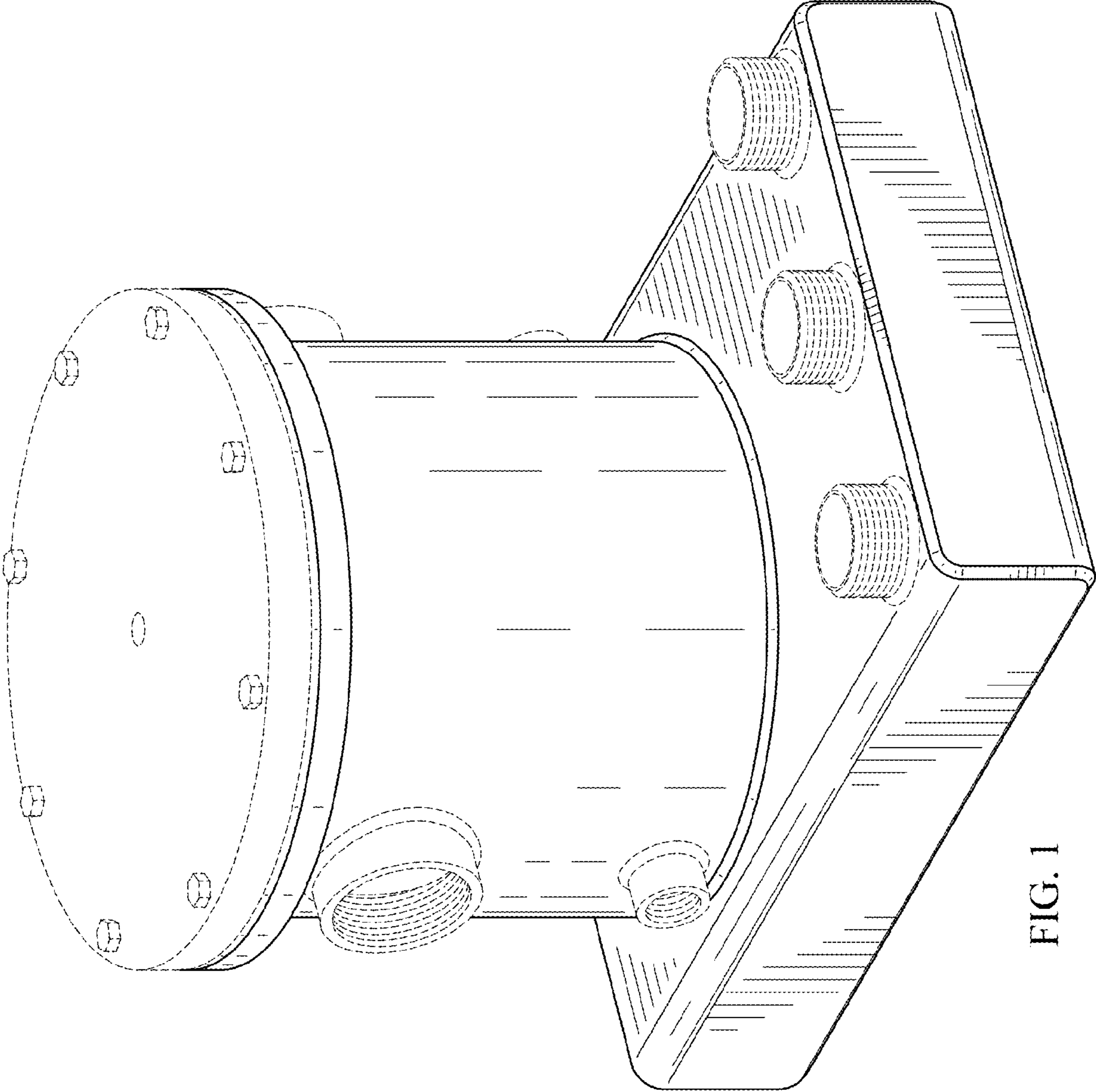


FIG. 1

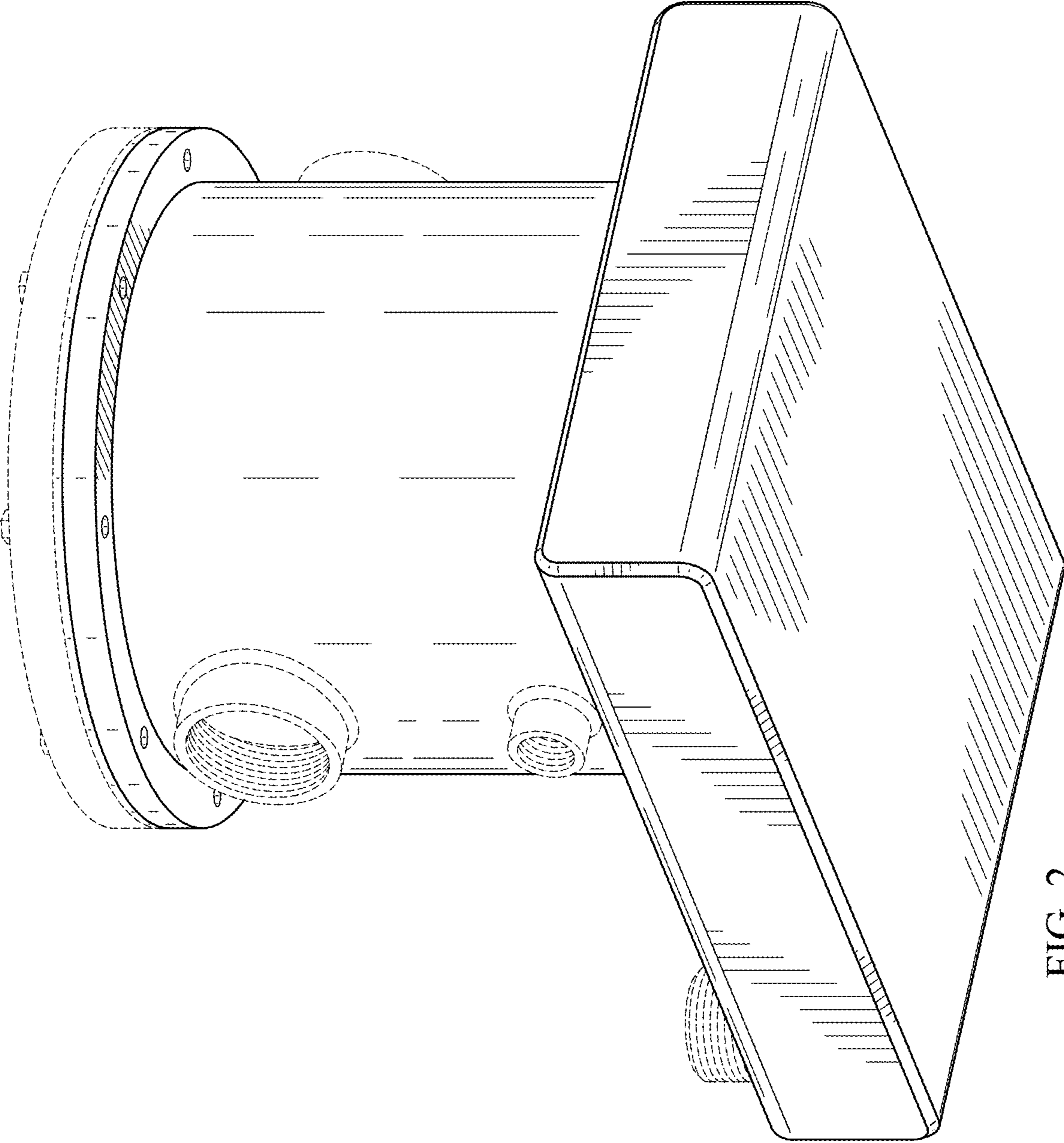


FIG. 2

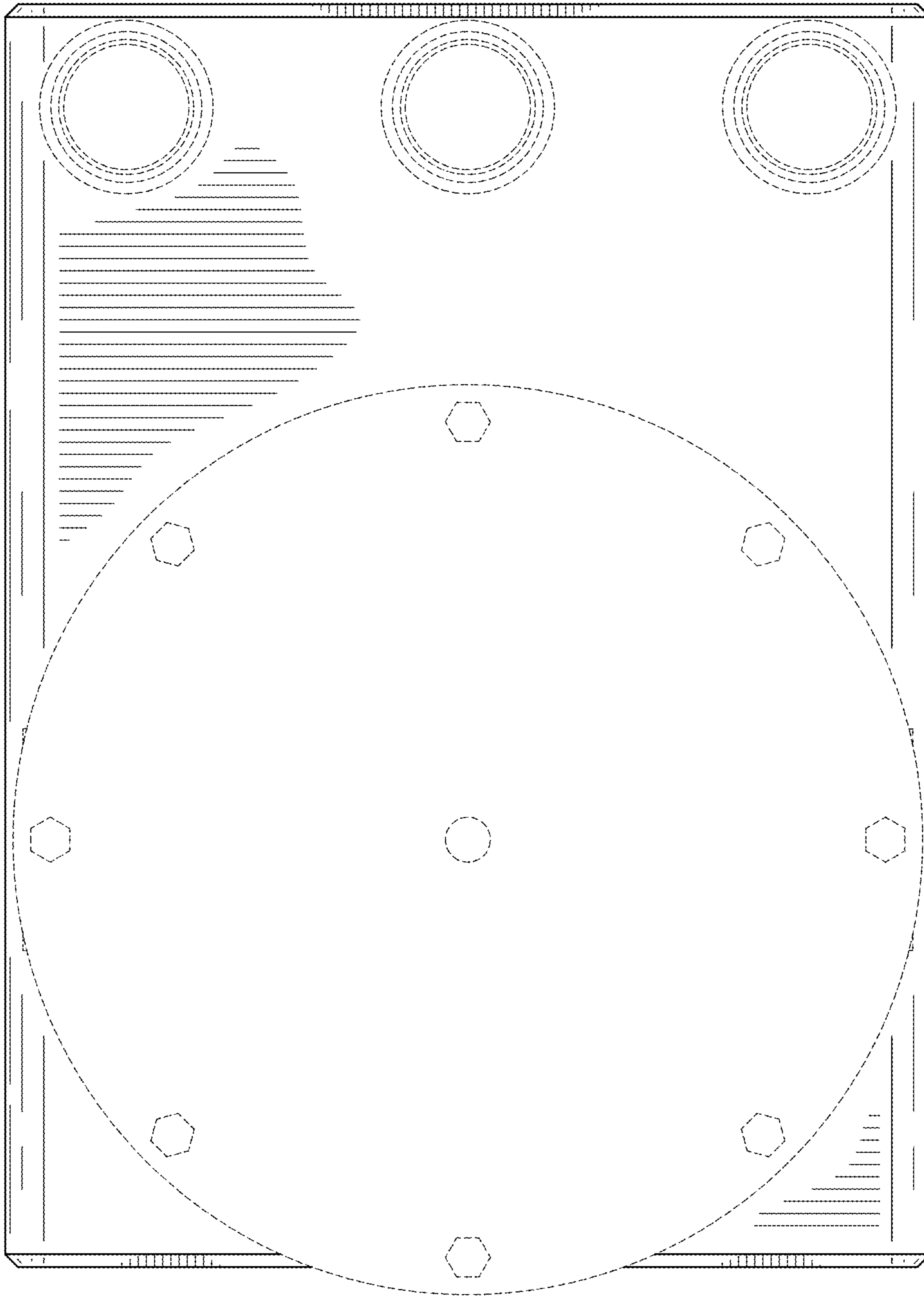


FIG. 3

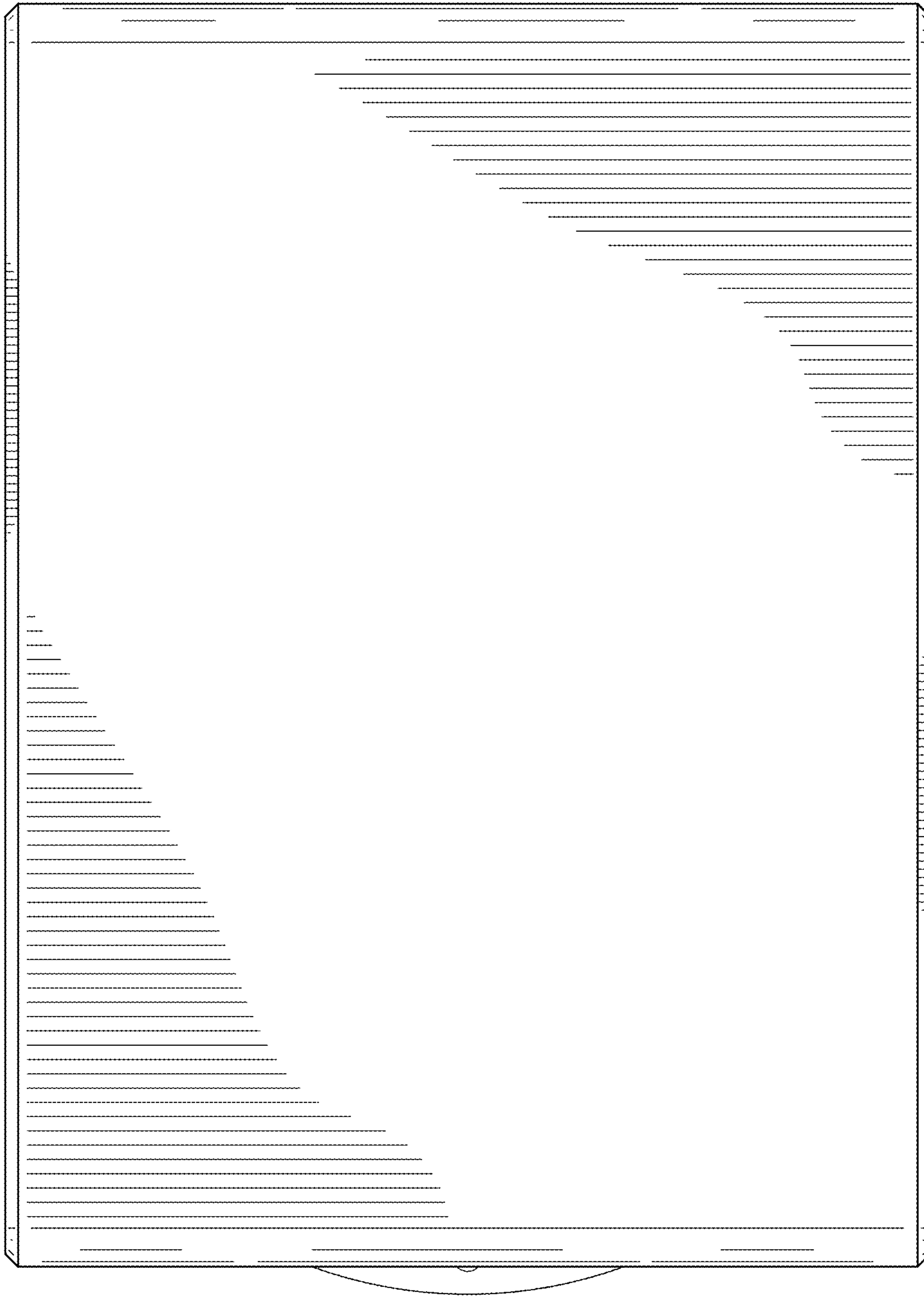


FIG. 4

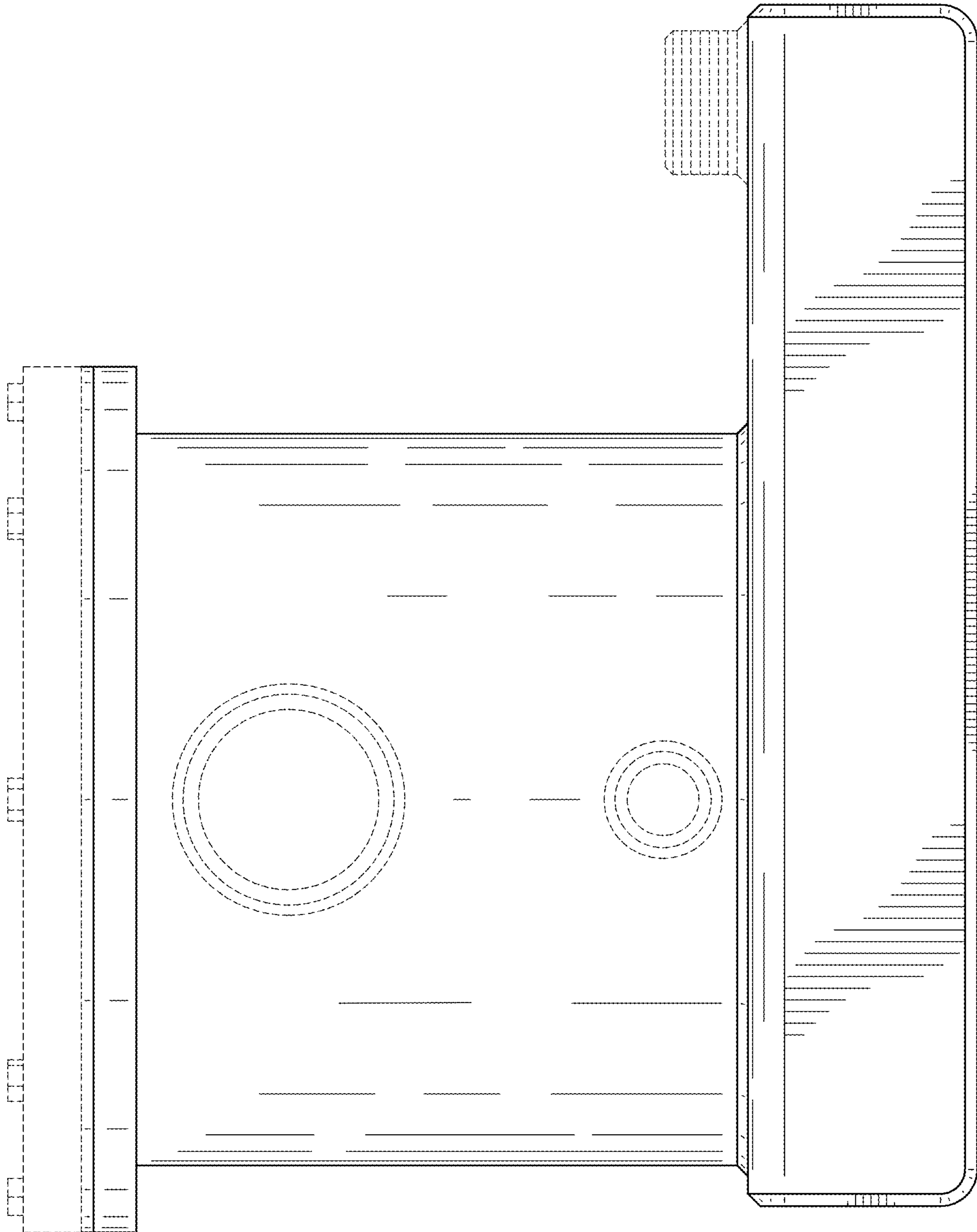


FIG. 5

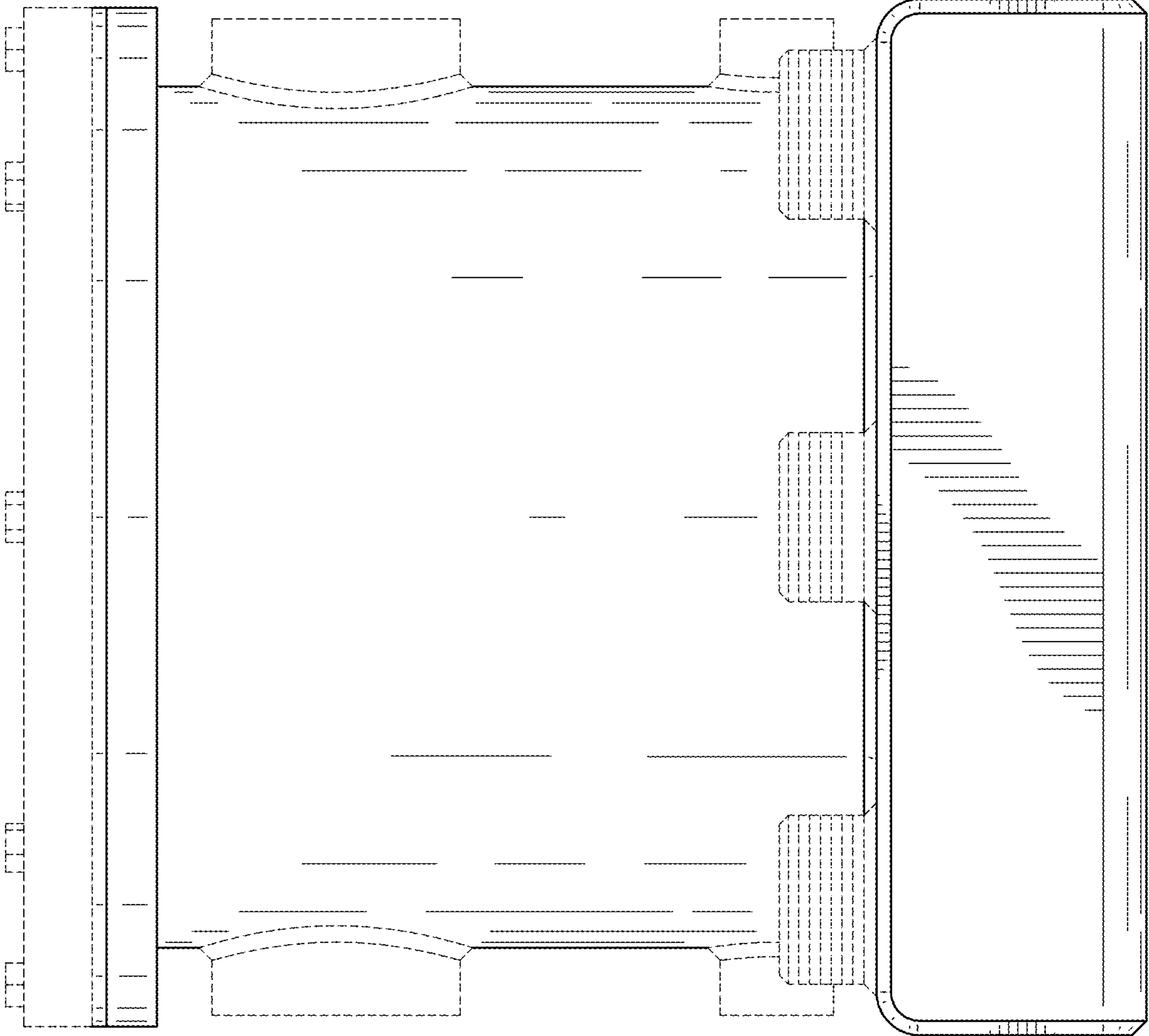


FIG. 6

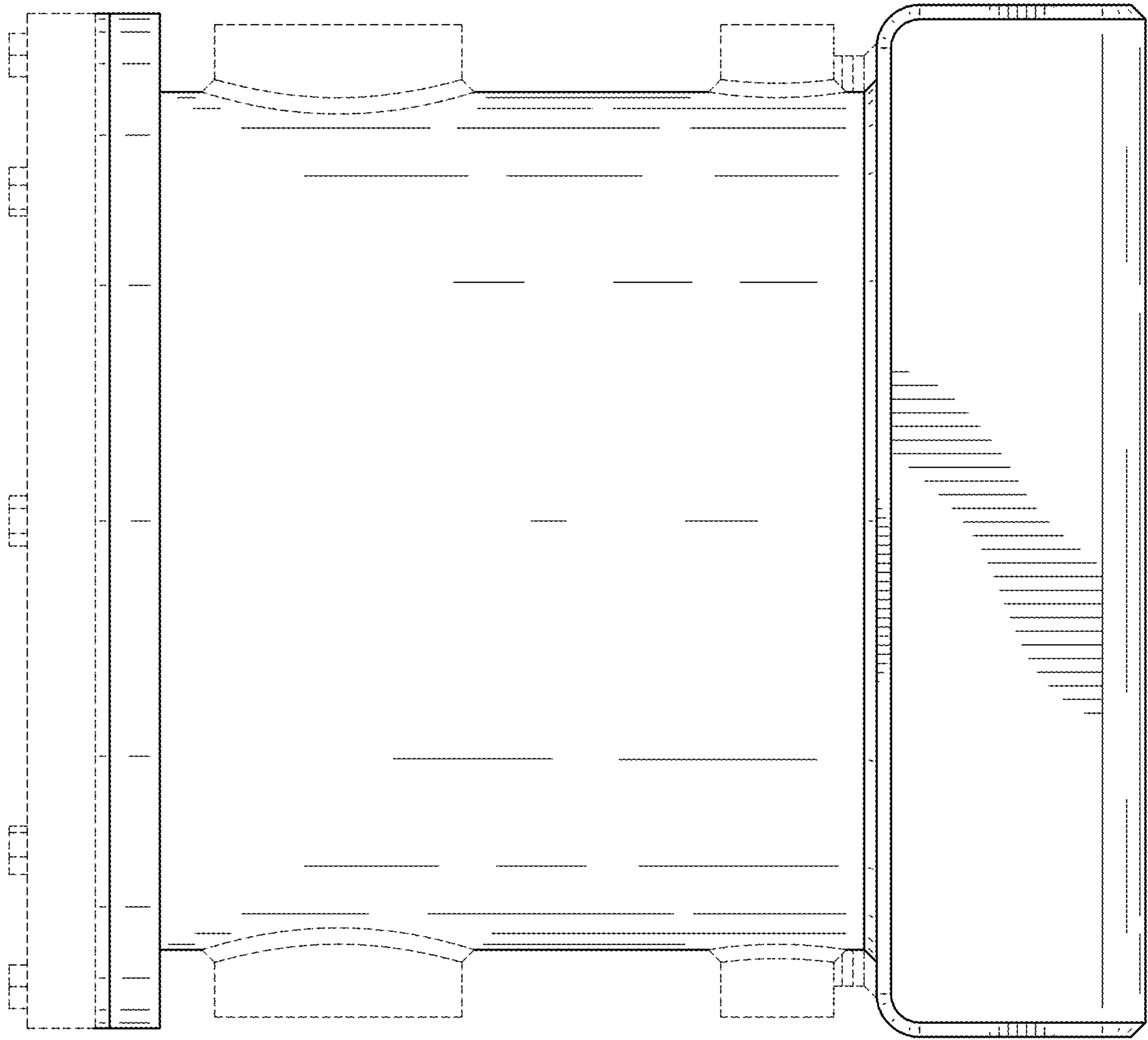


FIG. 7