



US00D919544S

(12) **United States Design Patent**  
**Johannesson et al.**

(10) **Patent No.:** **US D919,544 S**

(45) **Date of Patent:** **\*\* May 18, 2021**

(54) **AIR RELEASE UNIT**  
(71) Applicant: **Silverstream Technologies B.V.**, VB  
Amstelveen (NL)  
(72) Inventors: **Johannes Johannesson**, Espergaerde  
(DK); **Noah Silberschmidt**, London  
(GB); **Jorgen Clausen**, Copenhagen  
(DK)  
(73) Assignee: **SILVERSTREAM TECHNOLOGIES**  
**B.V.**, Amstelveen (NL)  
(\*\*) Term: **15 Years**

(21) Appl. No.: **29/714,828**  
(22) Filed: **Nov. 26, 2019**

(30) **Foreign Application Priority Data**  
May 29, 2019 (EM) ..... 006542163-0001  
May 29, 2019 (EM) ..... 006542163-0002  
(51) **LOC (13) Cl.** ..... **12-06**  
(52) **U.S. Cl.**  
USPC ..... **D12/317**  
(58) **Field of Classification Search**  
USPC ..... D12/223, 317, 400; D8/349, 354  
CPC ..... B63B 1/34; B63B 1/38; B63B 2001/387;  
B63B 17/00; B63B 2001/202; Y02T  
70/10  
See application file for complete search history.

(56) **References Cited**  
U.S. PATENT DOCUMENTS  
7,449 A \* 6/1850 Andrews ..... B63B 1/06  
114/61.27  
1,445,839 A \* 2/1923 Mahoney ..... B63B 1/38  
114/67 A  
1,875,629 A \* 9/1932 Marconnet ..... B63B 1/38  
114/67 A

1,894,256 A \* 1/1933 De Ganahl ..... B63B 1/38  
114/67 A  
2,145,463 A \* 1/1939 Spinanger ..... B63B 1/38  
114/67 A  
3,680,517 A \* 8/1972 Morrison ..... B63B 1/38  
114/67 A  
5,456,201 A \* 10/1995 Bobst ..... B63B 1/38  
114/289  
5,481,996 A \* 1/1996 Osawa ..... B63B 1/20  
114/67 R  
5,575,232 A \* 11/1996 Kato ..... B63B 1/38  
114/67 A  
6,145,459 A \* 11/2000 Takahashi ..... B63B 1/38  
114/67 A

(Continued)

**FOREIGN PATENT DOCUMENTS**

EP 3290325 A1 \* 3/2018 ..... B63B 1/38  
*Primary Examiner* — Karen E Kearney  
*Assistant Examiner* — Adam C Mager  
(74) *Attorney, Agent, or Firm* — Abelman, Frayne &  
Schwab

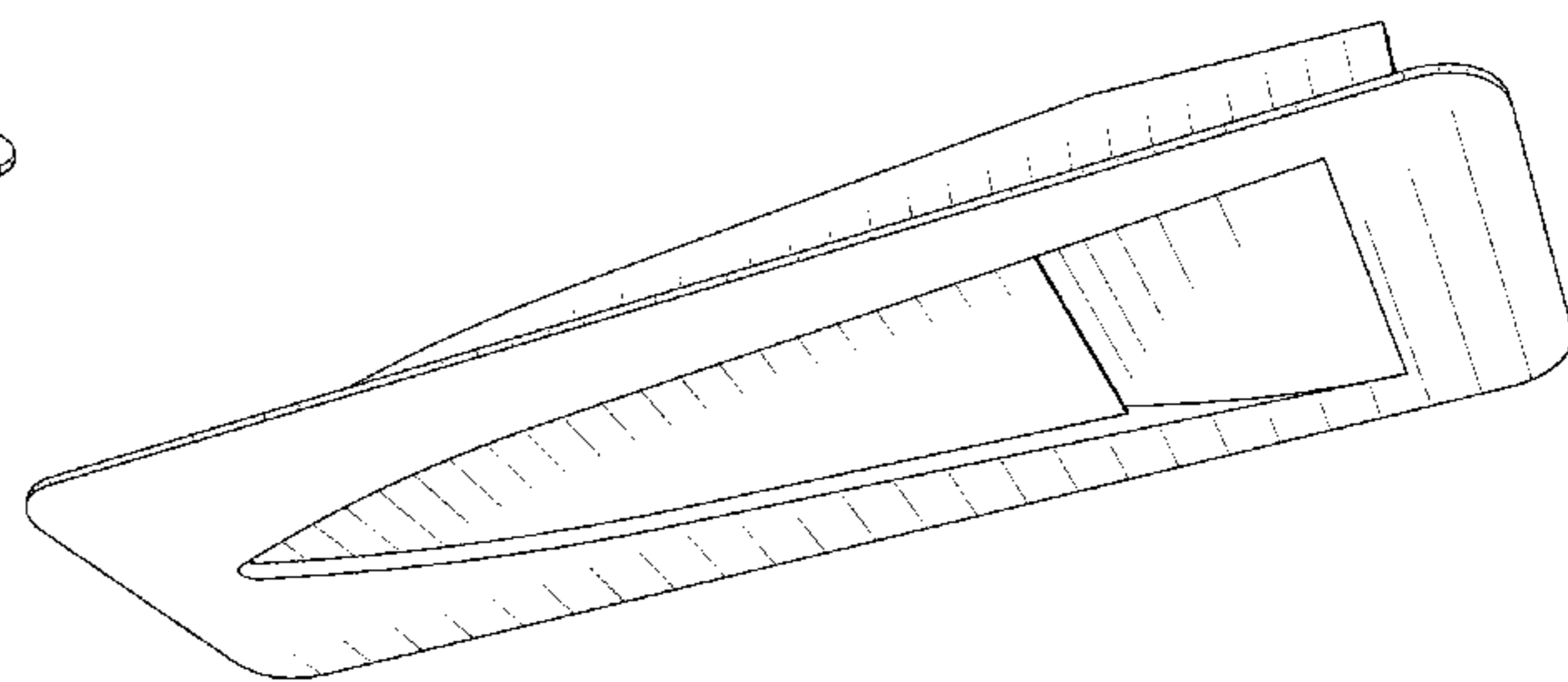
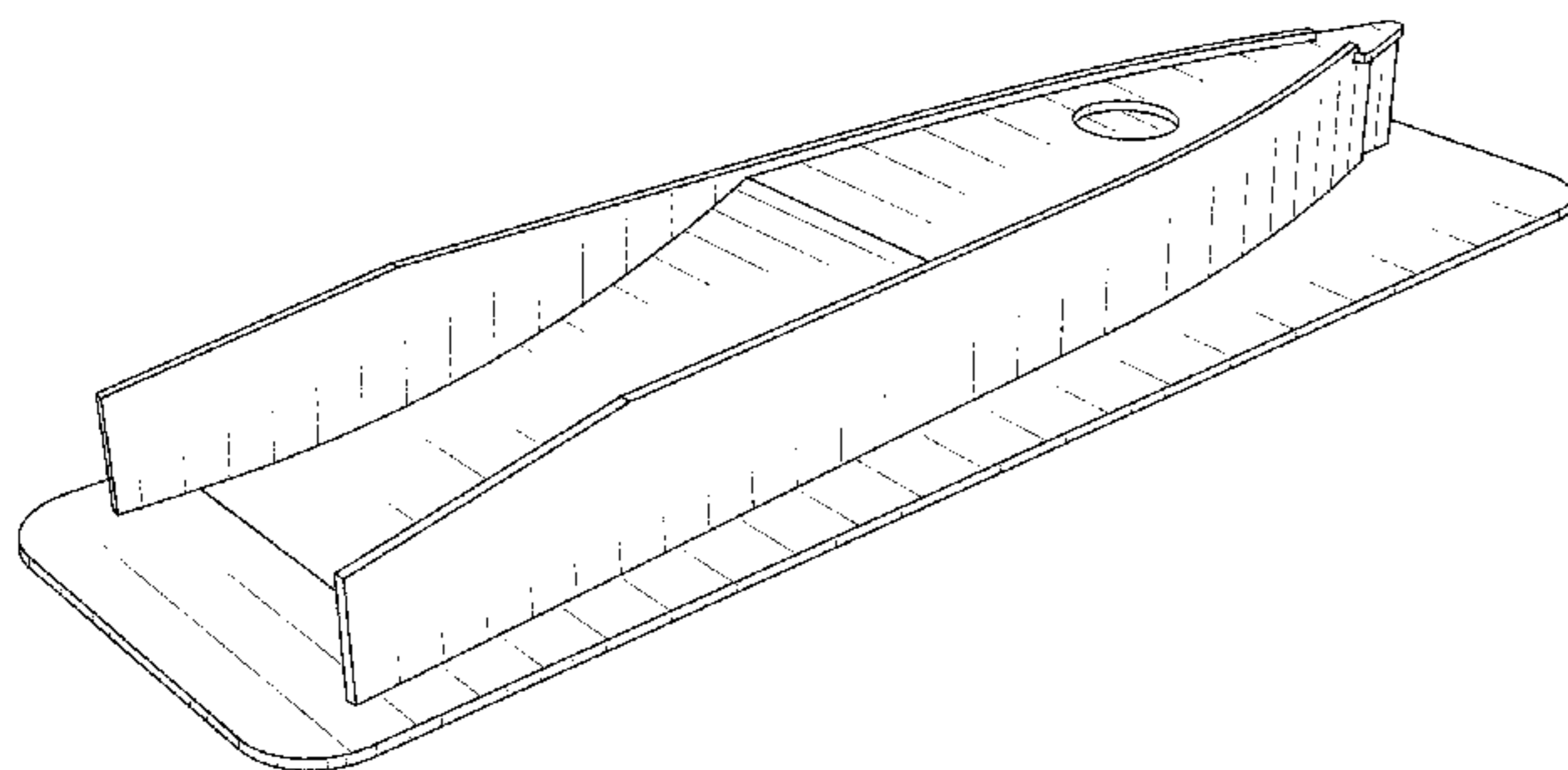
(57) **CLAIM**

We claim the ornamental design for an air release unit, as shown and described.

**DESCRIPTION**

FIG. 1 is a top, right, and rear perspective view of an air release unit, according to the present invention;  
FIG. 2 is a bottom, left, and rear perspective view thereof;  
FIG. 3 is a top, right, and front perspective view thereof;  
FIG. 4 is a bottom, right, and front perspective view thereof;  
FIG. 5 is a front elevation thereof;  
FIG. 6 is a rear elevation thereof;  
FIG. 7 is a right side elevation thereof, the left side elevation being a mirror image thereof;  
FIG. 8 is a top plan thereof; and,  
FIG. 9 is a bottom plan thereof.

**1 Claim, 6 Drawing Sheets**



(56)

**References Cited**

U.S. PATENT DOCUMENTS

6,634,309 B2 \* 10/2003 Radrizzani ..... B63B 1/32  
114/67 R  
6,880,476 B2 \* 4/2005 Olsen ..... B64C 21/10  
114/67 R  
7,997,221 B2 \* 8/2011 Costas ..... B63B 1/38  
114/67 A  
D795,783 S \* 8/2017 Johannesson ..... D12/317  
D886,026 S \* 6/2020 Johannesson ..... D12/317  
2006/0231004 A1 \* 10/2006 Stubblefield ..... B63B 1/38  
114/67 A  
2010/0018452 A1 \* 1/2010 Takahashi ..... B63B 1/38  
114/67 A  
2011/0239927 A1 \* 10/2011 Kawakita ..... B63B 1/38  
114/67 A  
2013/0139746 A1 \* 6/2013 Takano ..... B63B 1/38  
114/67 A  
2015/0298767 A1 \* 10/2015 Johannesson ..... B63B 1/38  
114/63  
2017/0015394 A1 \* 1/2017 Johannesson ..... B63B 1/38  
2019/0225304 A1 \* 7/2019 Silberschmidt ..... B63B 1/38

\* cited by examiner

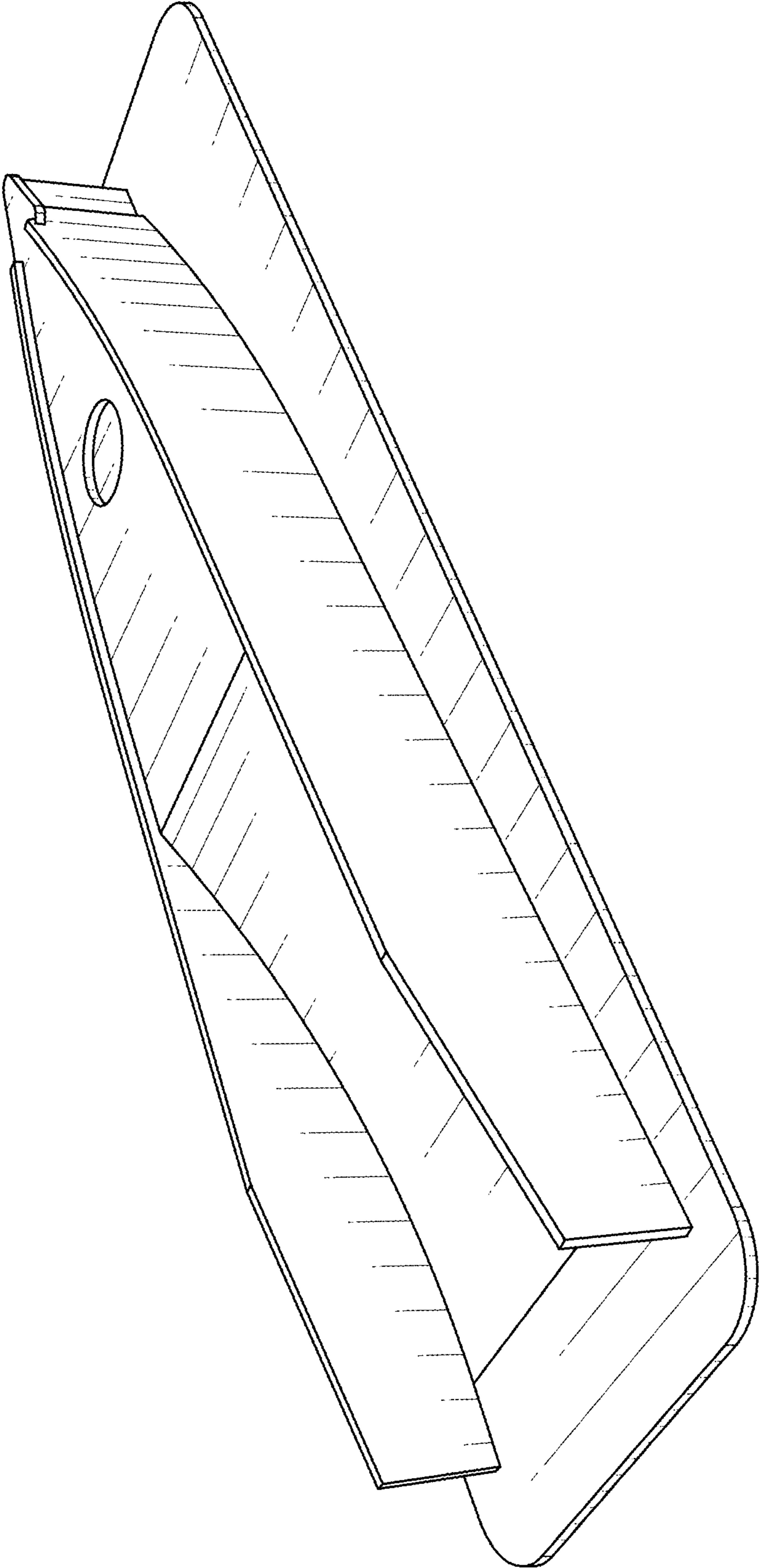


FIG. 1

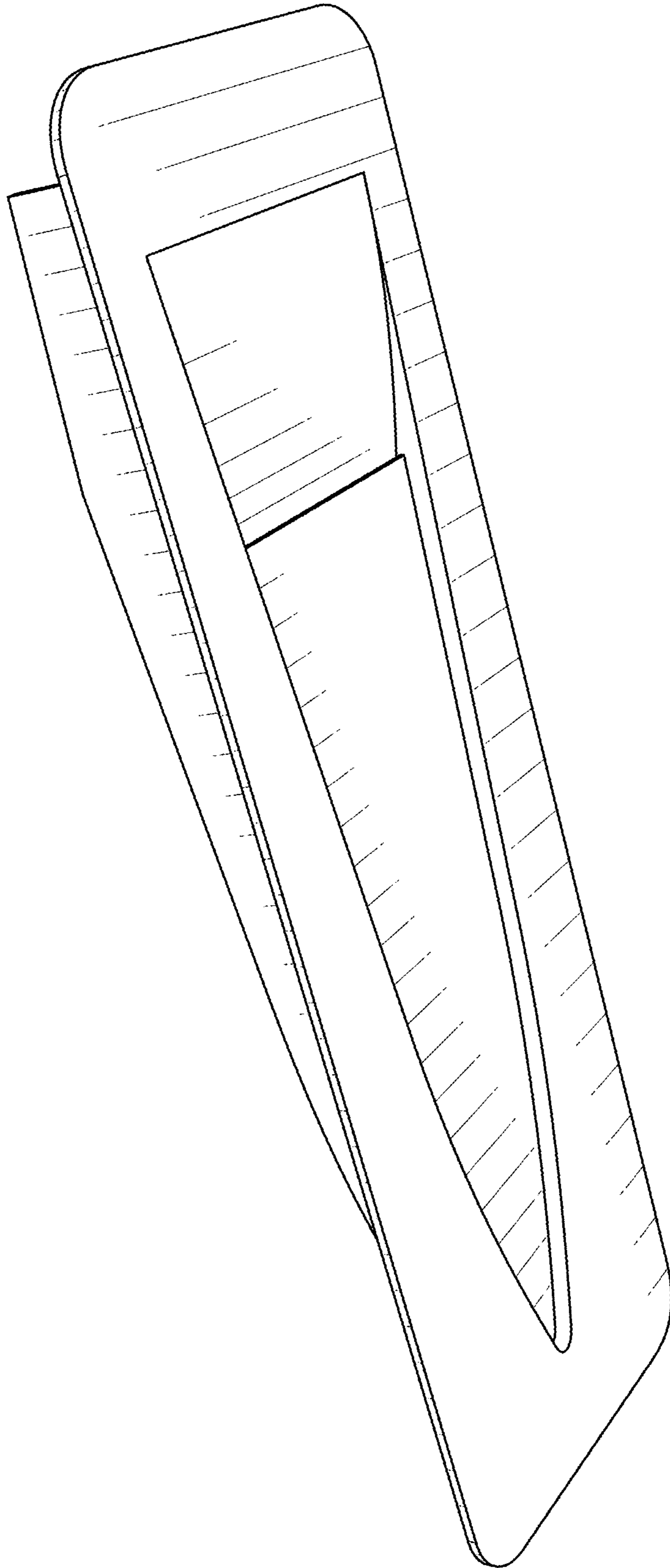


FIG. 2

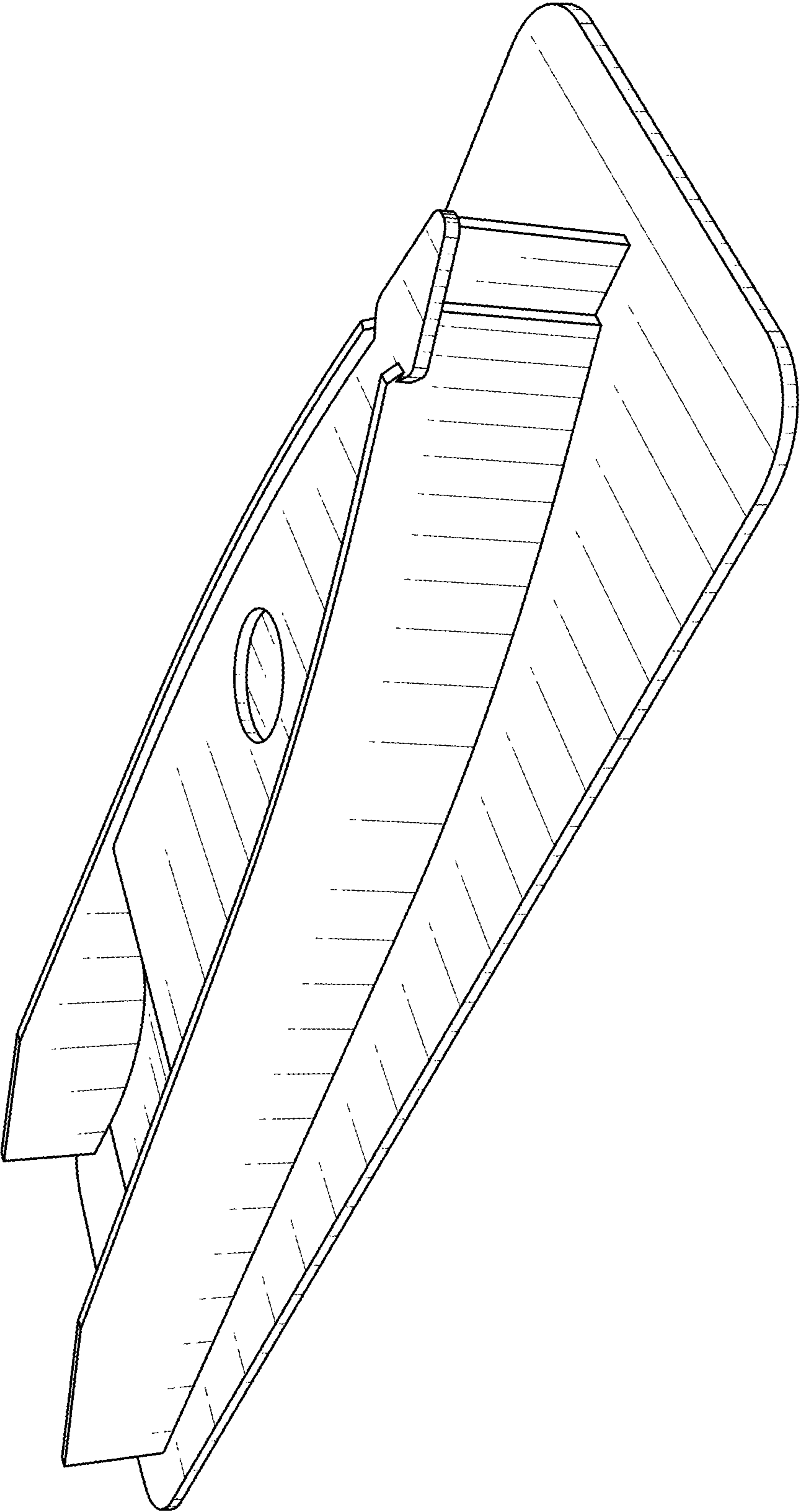


FIG. 3

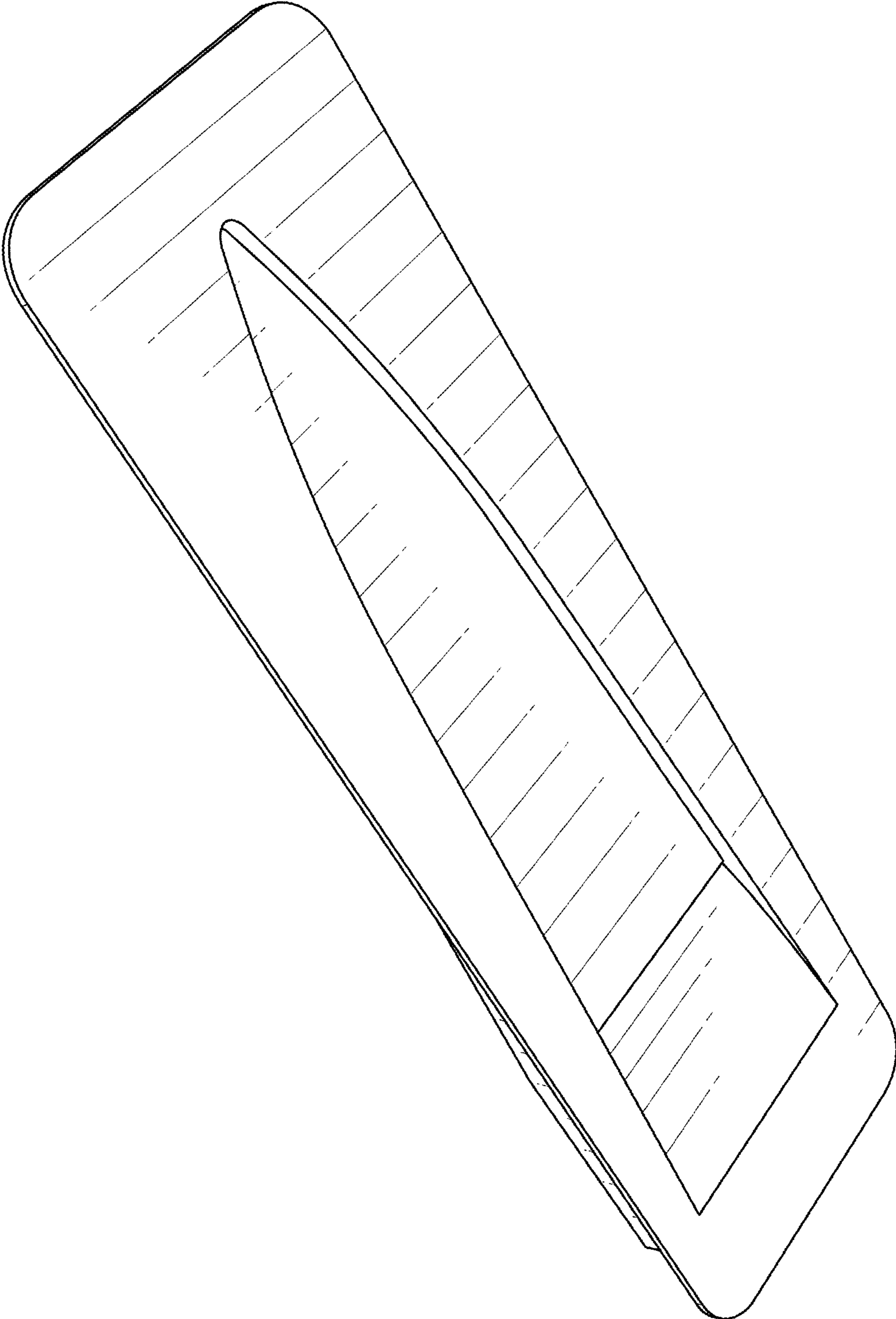


FIG. 4

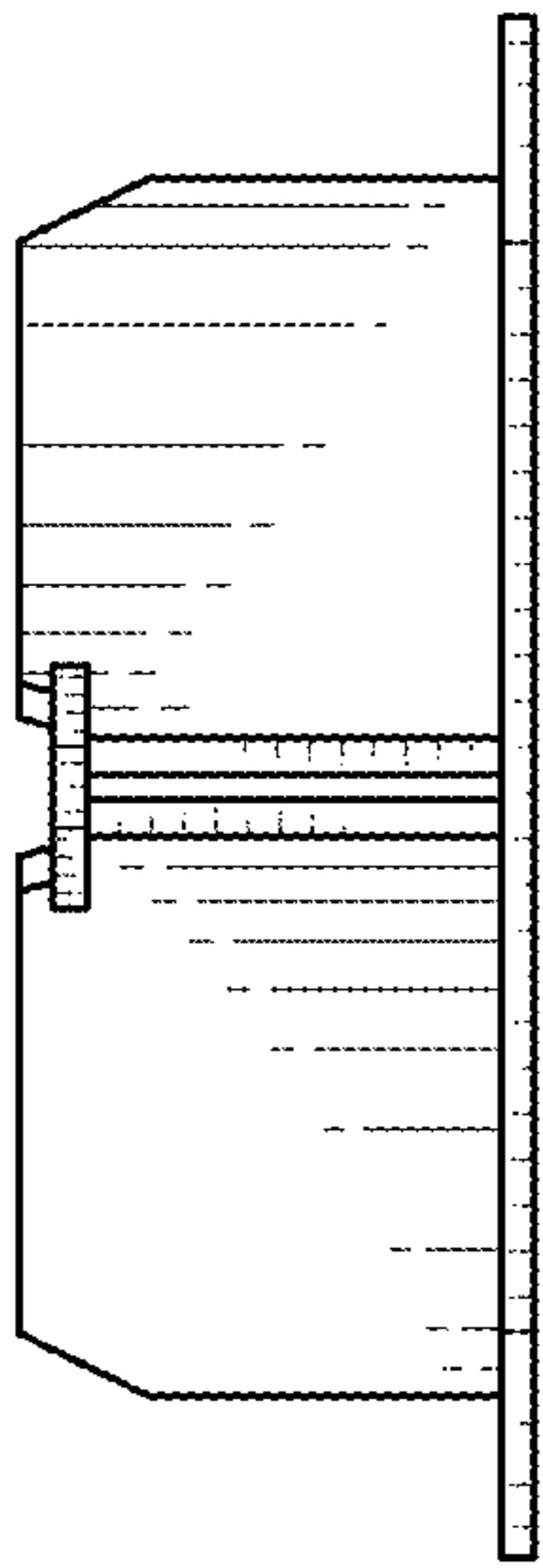


FIG. 5

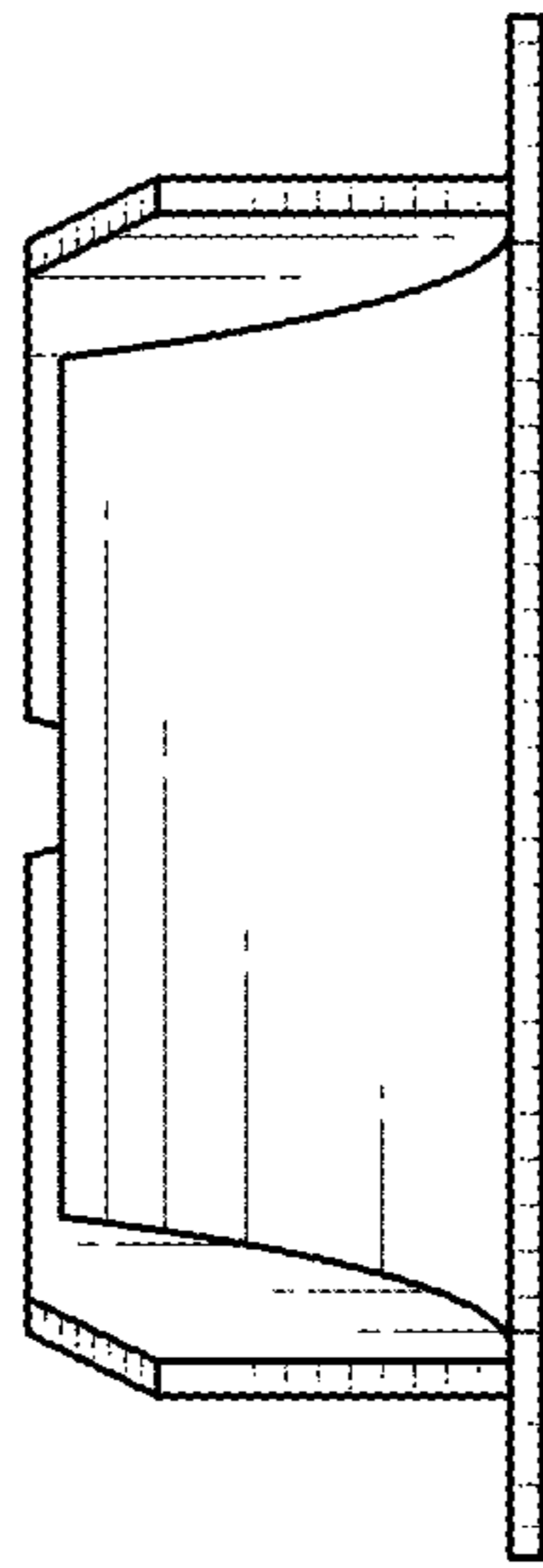


FIG. 6

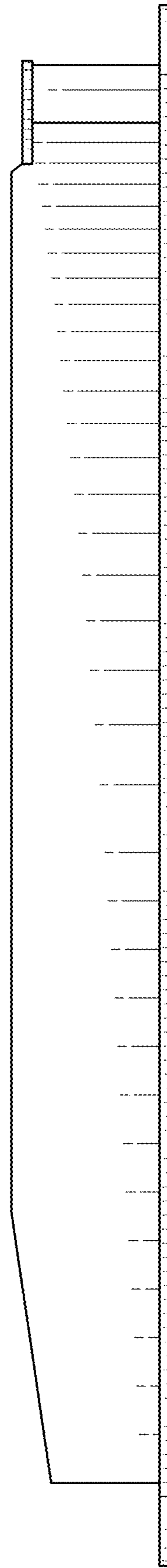


FIG. 7

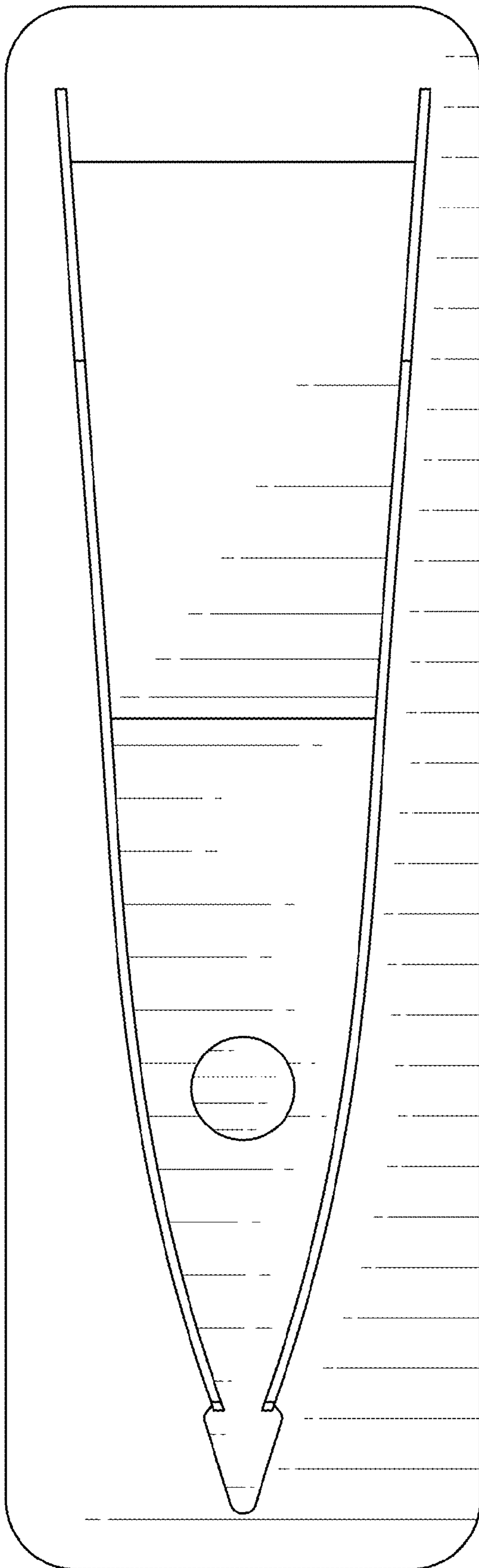


FIG. 8

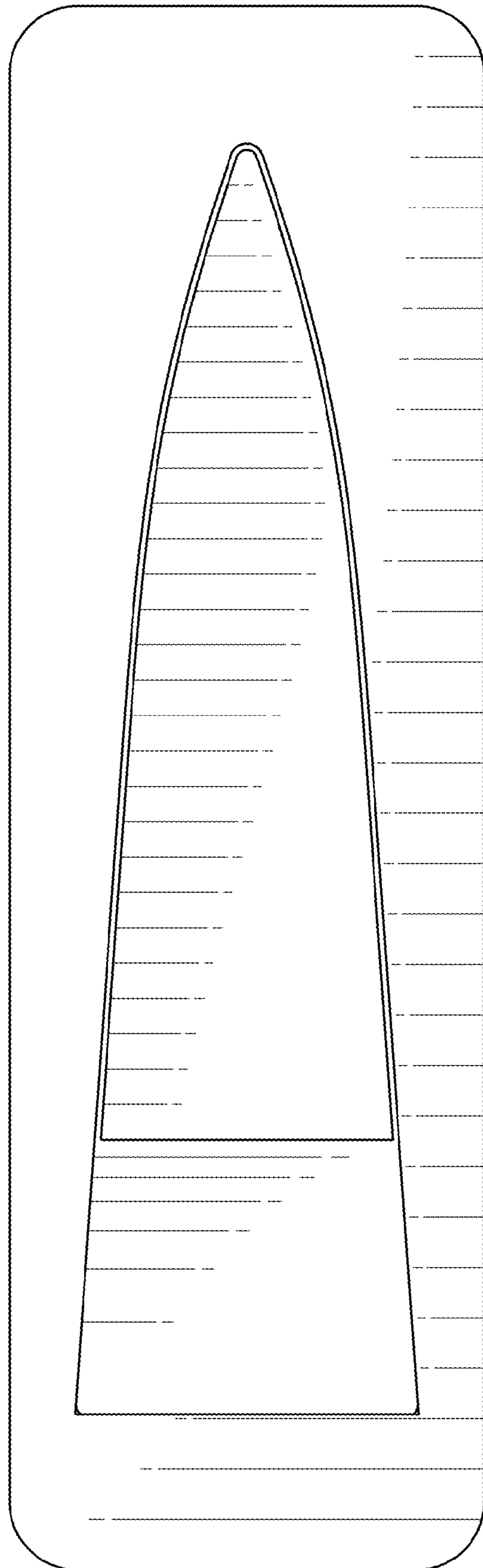


FIG. 9