



US00D919531S

(12) **United States Design Patent** (10) **Patent No.:** **US D919,531 S**
Wraith et al. (45) **Date of Patent:** **** May 18, 2021**

(54) **VEHICLE REAR LOWER BUMPER COVER
TOW HOOK INSERT**

(71) Applicant: **Ford Global Technologies, LLC,**
Dearborn, MI (US)

(72) Inventors: **Paul J. Wraith,** West Bloomfield, MI
(US); **Dong H. Park,** Canton, MI (US);
Brian S. Paik, Los Angeles, CA (US);
Daniel J. Kangas, Livonia, MI (US);
Joseph I. Halaszynski, Farmington
Hills, MI (US)

(73) Assignee: **Ford Global Technologies, LLC,**
Dearborn, MI (US)

(**) Term: **15 Years**

(21) Appl. No.: **29/700,451**

(22) Filed: **Aug. 2, 2019**

(51) **LOC (13) Cl.** **12-16**

(52) **U.S. Cl.**
USPC **D12/196**

(58) **Field of Classification Search**
USPC D12/82, 86, 87, 93, 96, 162, 163, 167,
D12/169, 170, 171, 172, 181, 190, 196,
D12/401
CPC B60R 19/00; B60R 19/02; B60R 19/56;
B60R 2019/026; B60Y 2200/20; B60Y
2200/124; B60D 1/60; B60D 1/605
See application file for complete search history.

(56) **References Cited**

U.S. PATENT DOCUMENTS

D429,208 S * 8/2000 McCoy D12/223

OTHER PUBLICATIONS

Bronco Sport Rear Bumper I, www.autotrader.com [online]. Published on Aug. 3, 2020, [retrieved on Dec. 1, 2020]. Retrieved from the Internet: <URL:https://www.autotrader.com/car-reviews/2021-ford-bronco-sport-review> (Year: 2020).*

Bronco Sport Rear Bumper II, www.motor1.com [online]. Published on Jul. 13, 2020, [retrieved on Dec. 1, 2020]. Retrieved from the Internet: <URL: https://www.motor1.com/photo/5085166/2021-ford-bronco-sport/> (Year: 2020).*

Michael Martinez, Ford's 2020 Baby Bronco off-roader emerges in photos from dealer meeting, http://www.automews.com/article/20181113/OEM04/181119911/ford-baby-bronco-photos-leaked Nov. 13, 2018.

* cited by examiner

Primary Examiner — Michael A. Pratt

Assistant Examiner — Adam C Mager

(74) *Attorney, Agent, or Firm* — Michael Spenner

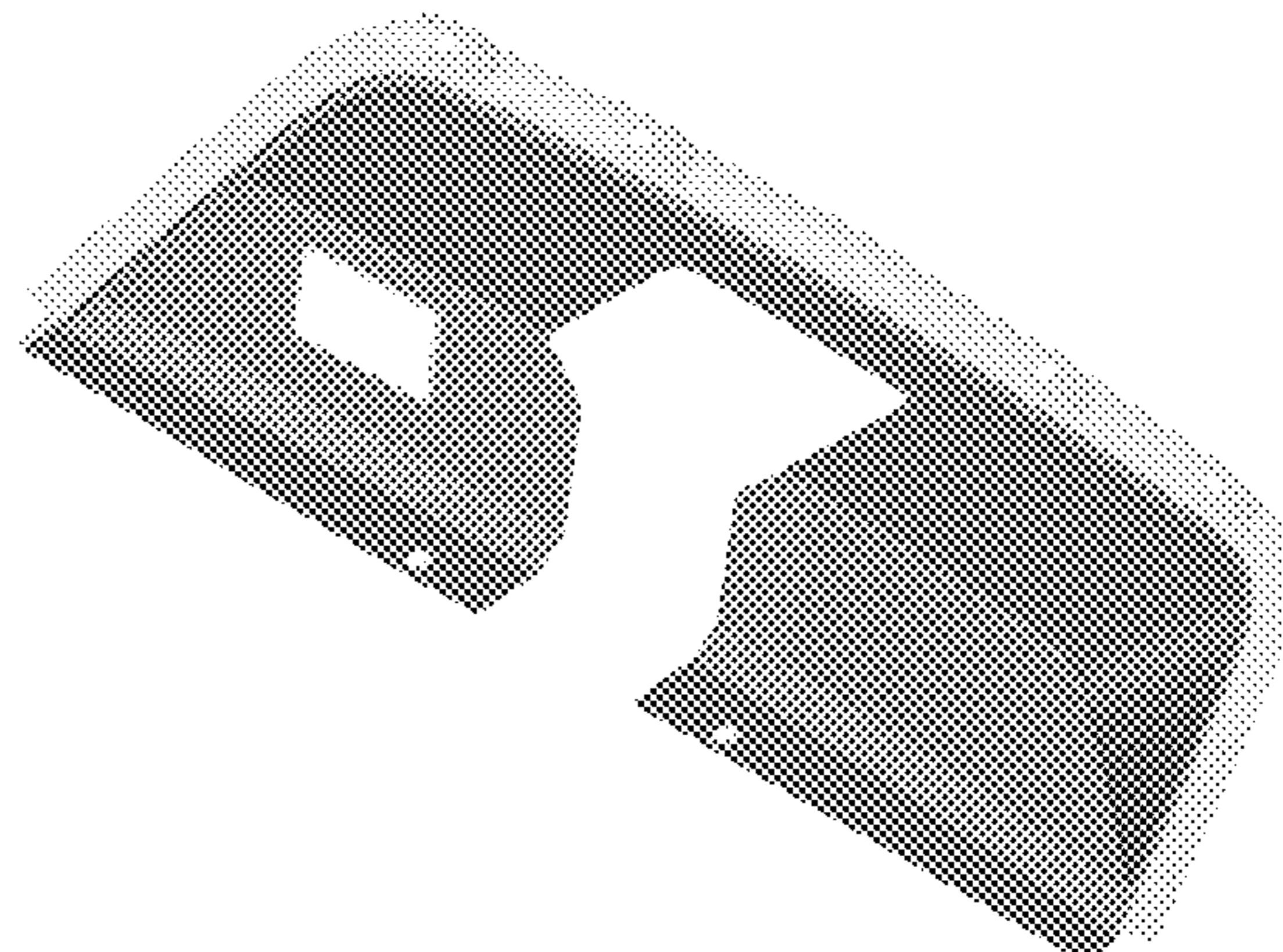
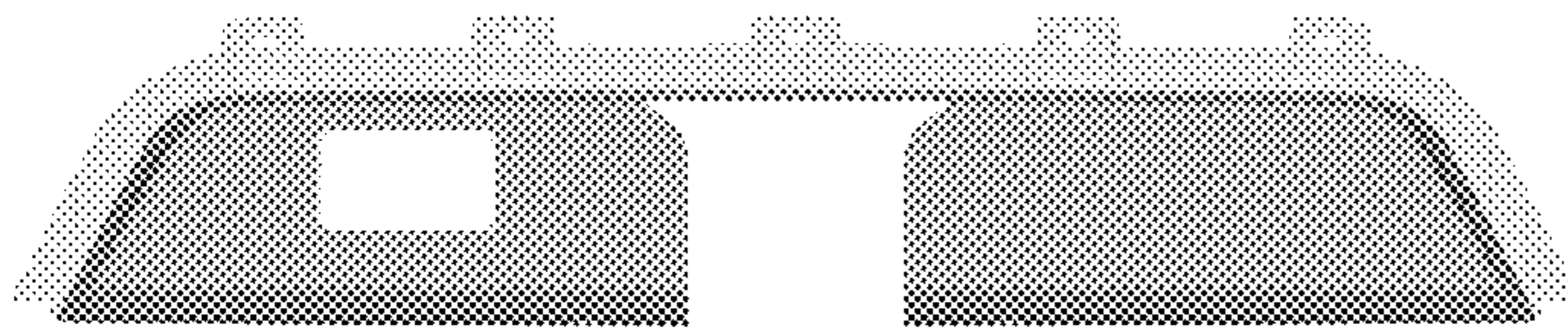
(57) **CLAIM**

The ornamental design for a vehicle rear lower bumper cover tow hook insert, as shown and described.

DESCRIPTION

FIG. 1 is a front elevational view of a vehicle rear lower bumper cover tow hook insert, showing our new design; FIG. 2 is a left side elevational view thereof; FIG. 3 is a right side elevational view thereof; FIG. 4 is a top plan view thereof; FIG. 5 is a bottom plan view thereof; FIG. 6 is a bottom, front and left side perspective view thereof; and, FIG. 7 is a top, front and left side perspective view thereof. The claimed design is indicated by the relatively dark portions in the figures. The de-emphasized and relatively light portions form no part of the claimed design.

1 Claim, 7 Drawing Sheets



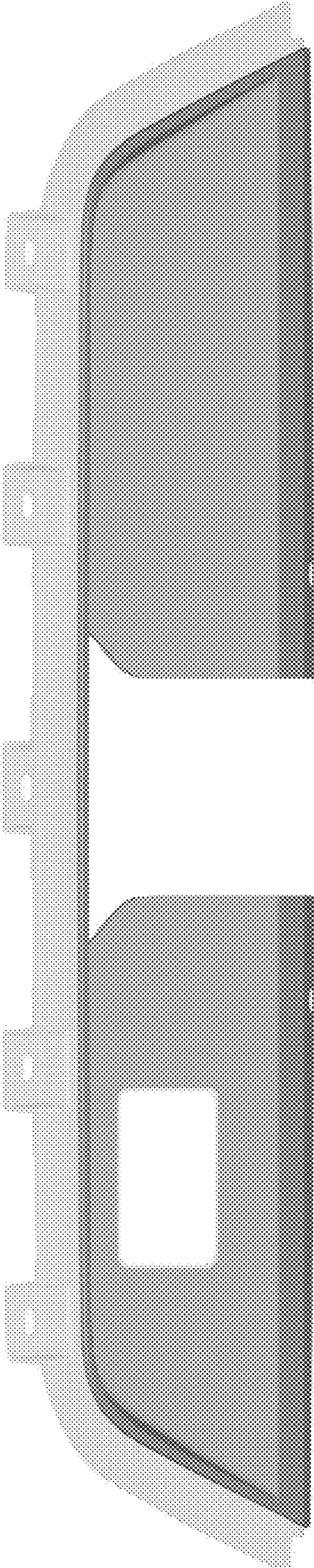


Fig.1

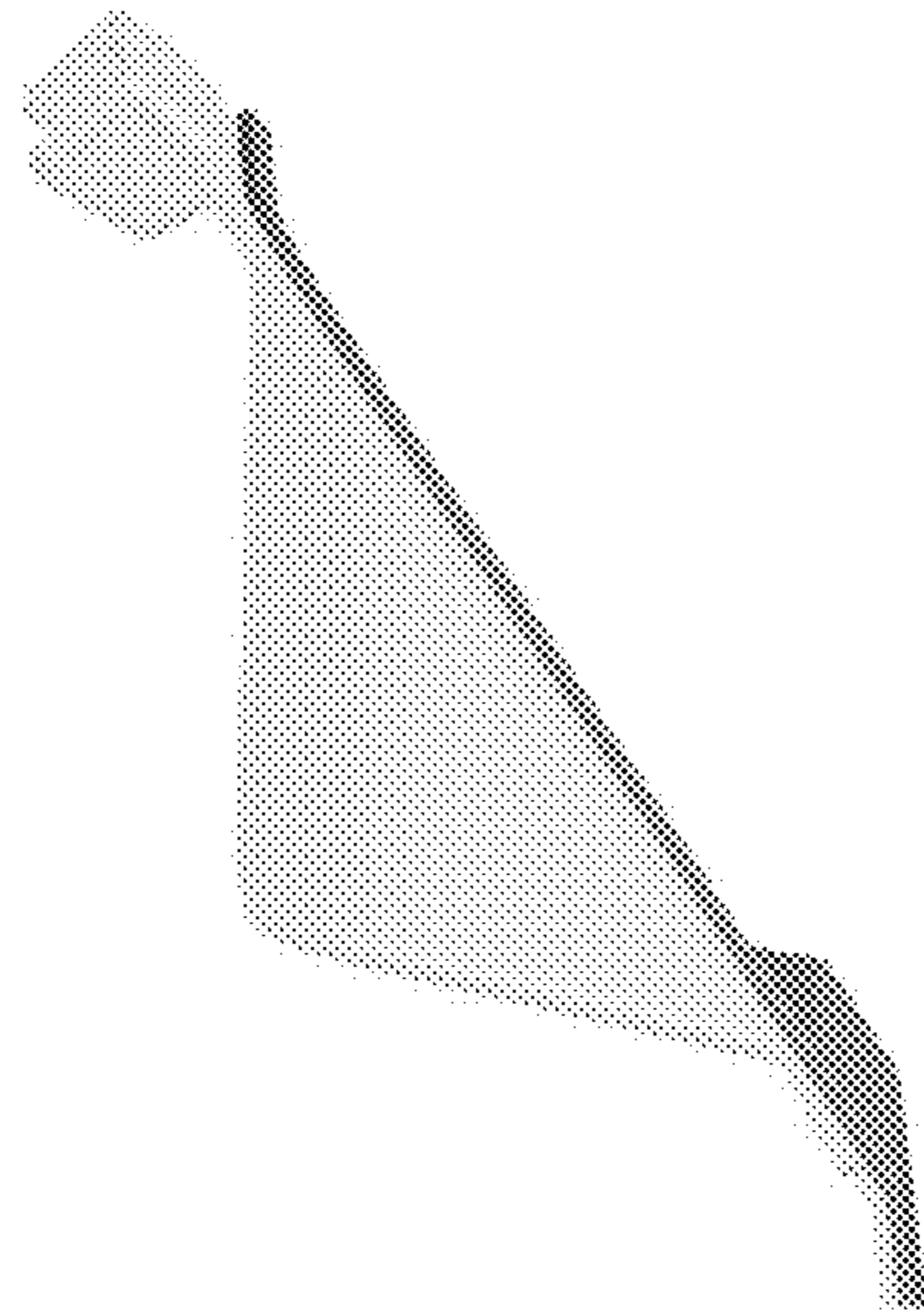


Fig. 2

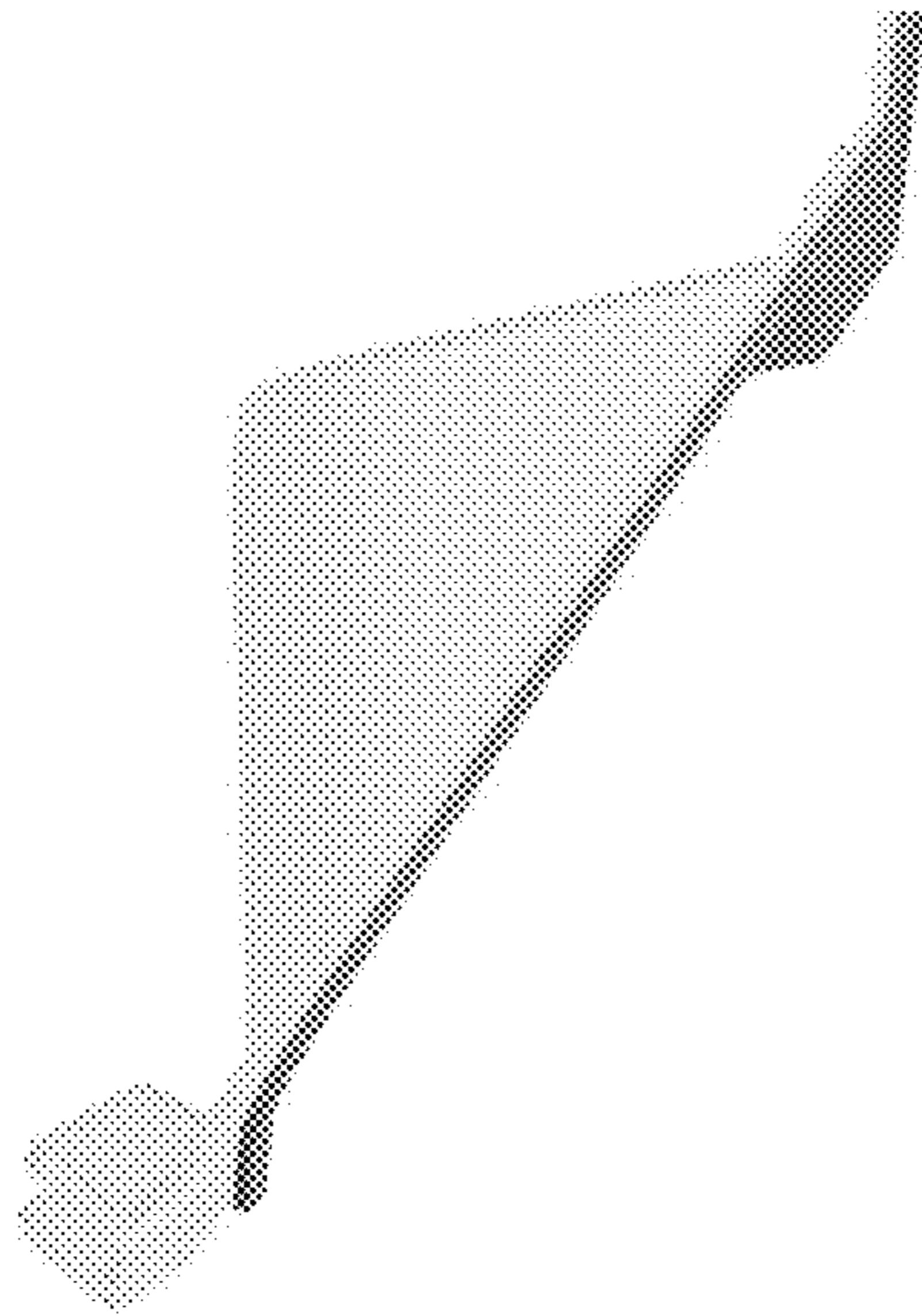


Fig. 3

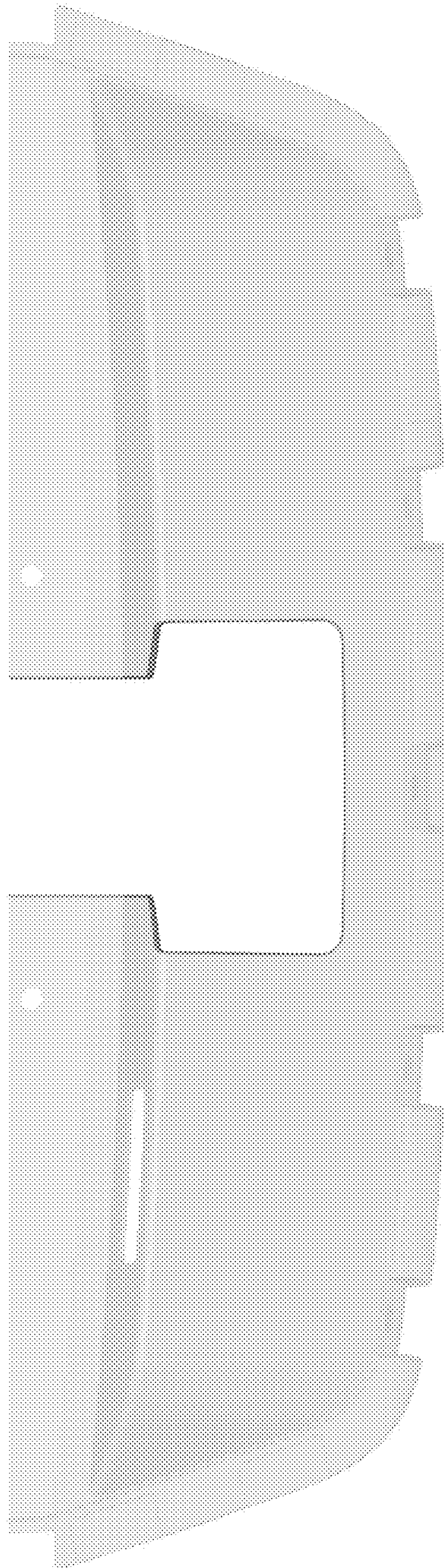
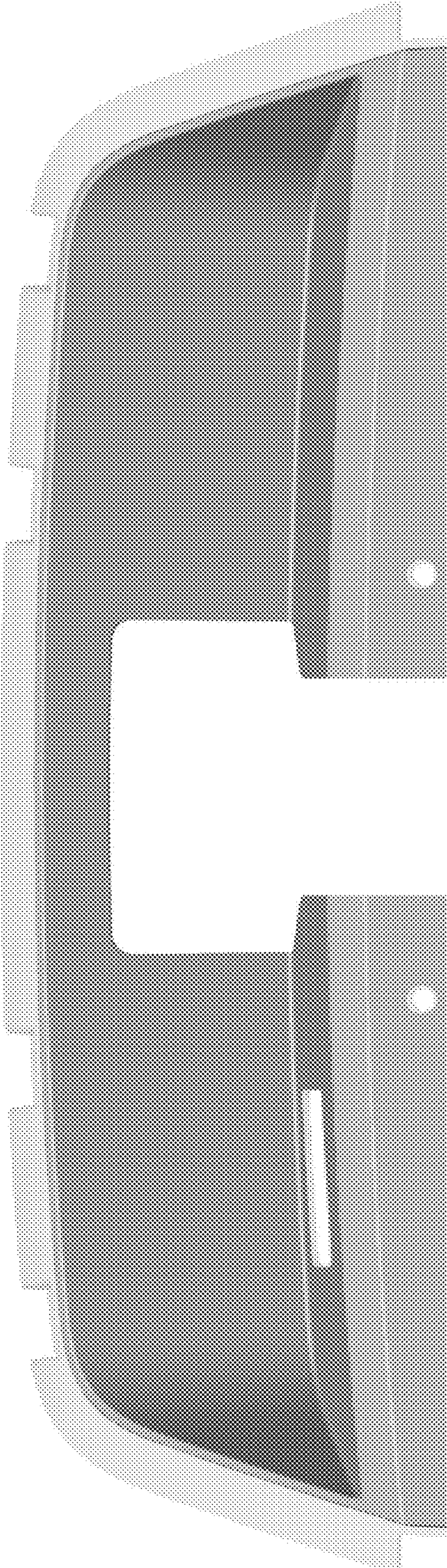


Fig.4

Fig. 5



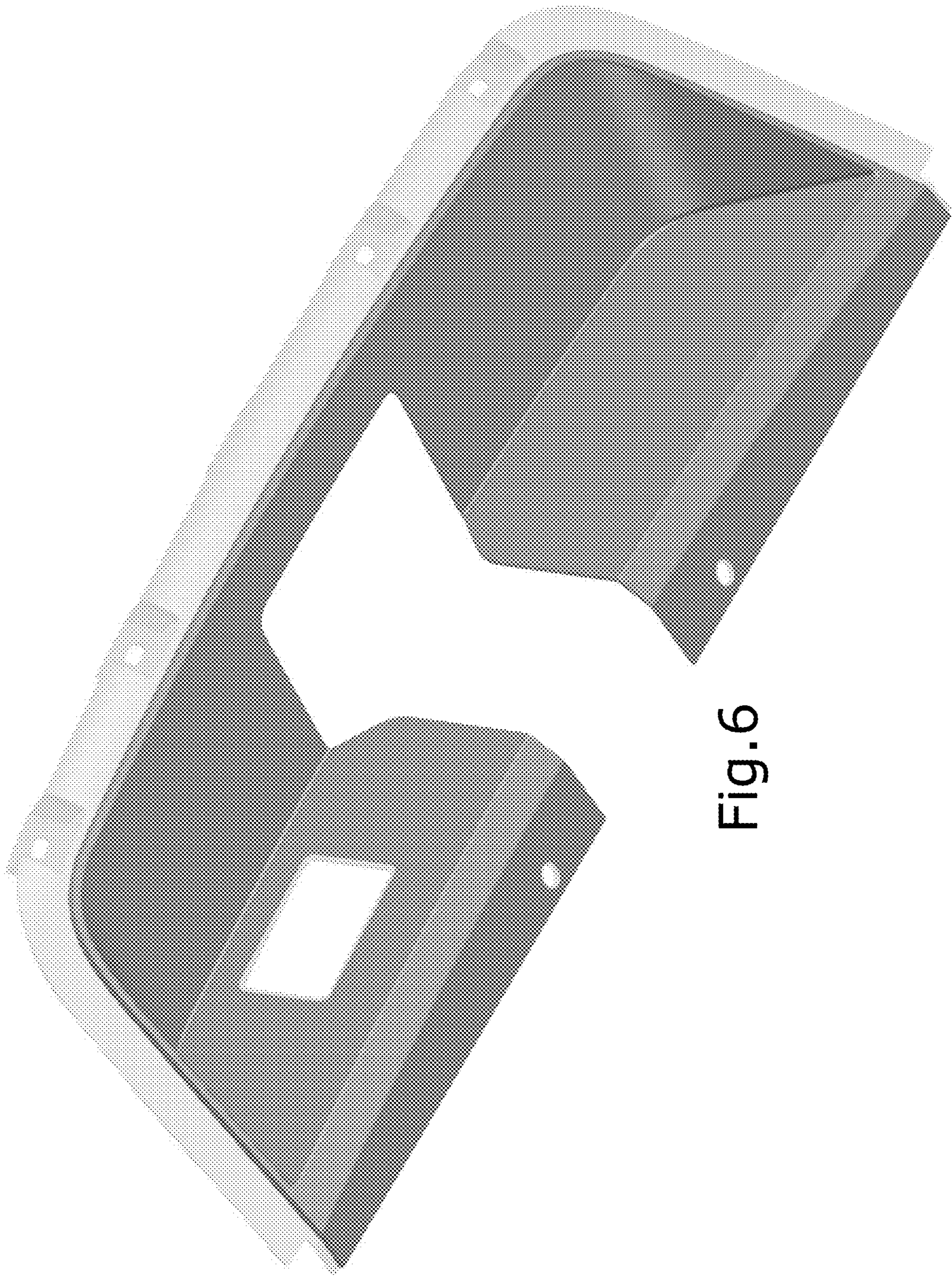


Fig. 6

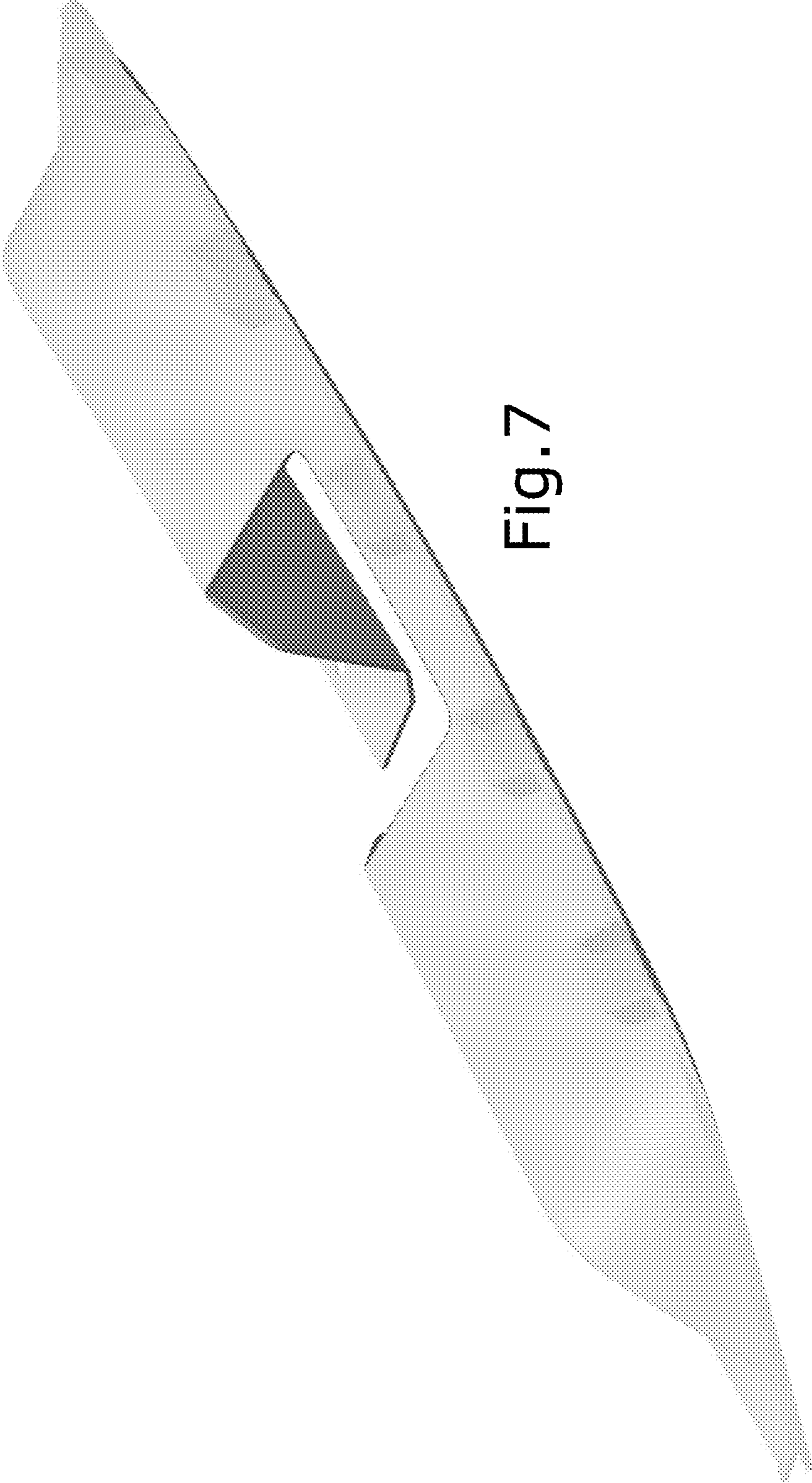


Fig. 7