



US00D919530S

(12) **United States Design Patent** (10) **Patent No.:** **US D919,530 S**
Mistiuk et al. (45) **Date of Patent:** **** May 18, 2021**

(54) **DOOR TRIM PANEL**

(71) Applicant: **Rivian IP Holdings, LLC**, Plymouth, MI (US)

(72) Inventors: **Roman Mistiuk**, Westland, MI (US); **Zulfiquar Ali**, West Bloomfield, MI (US)

(73) Assignee: **Rivian IP Holdings, LLC**, Plymouth, MI (US)

(**) Term: **15 Years**

(21) Appl. No.: **29/670,005**

(22) Filed: **Nov. 13, 2018**

(51) **LOC (13) Cl.** **12-16**

(52) **U.S. Cl.**
USPC **D12/196**

(58) **Field of Classification Search**
USPC D12/190, 193, 195, 196, 414
CPC E05B 77/02; E05B 77/04; E05B 81/32;
E05B 81/76; E05B 81/78; E05B 85/16
See application file for complete search history.

(56) **References Cited**

U.S. PATENT DOCUMENTS

D848,334 S * 5/2019 Tomasson D12/196
D851,003 S * 6/2019 Tomasson D12/196
D878,267 S * 3/2020 Yu D12/196

OTHER PUBLICATIONS

Rivian Electric Pickup Honda Ridgeline Owners Club Forums
<https://www.ridgelineownersclub.com/threads/rivian-electric-pickup.214470/> Posted Nov. 26, 2018 (Year: 2018).*

Rivian—R1S <https://rivian.com/r1s/> Available Dec. 15, 2019 (Year: 2019).*

* cited by examiner

Primary Examiner — Leanne Was-Englehart
(74) *Attorney, Agent, or Firm* — Haley Guiliano LLP; James A. Leiz; Andrew C. Lee

(57) **CLAIM**

The ornamental design for a door trim panel, as shown and described.

DESCRIPTION

FIG. 1 is a front view of a door trim panel showing the claimed design;
FIG. 2 is a left-side view of the door trim panel;
FIG. 3 is a right-side view of the door trim panel;
FIG. 4 is a bottom view of the door trim panel;
FIG. 5 is a top view of the door trim panel;
FIG. 6 is a front left corner perspective view of the door trim panel;
FIG. 7 is a high front left corner perspective view of the door trim panel;
FIG. 8 is a front right corner perspective view of the door trim panel; and,
FIG. 9 is a high front right corner perspective view of the door trim panel.
The claimed design includes the mirror image of the door trim panel shown in FIGS. 1 to 9.
The broken lines in FIGS. 2-3 depict portions of the door trim panel that form no part of the claimed design.

1 Claim, 9 Drawing Sheets





FIG. 1

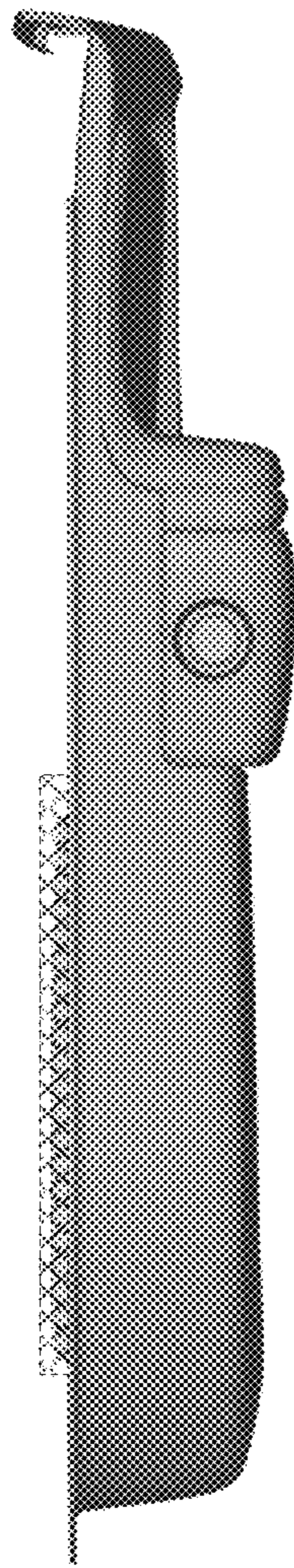


FIG. 2

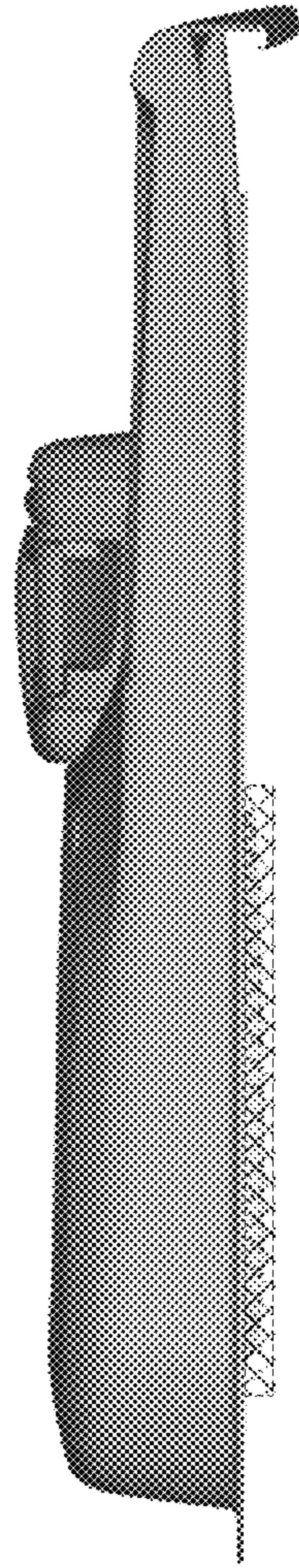


FIG. 3

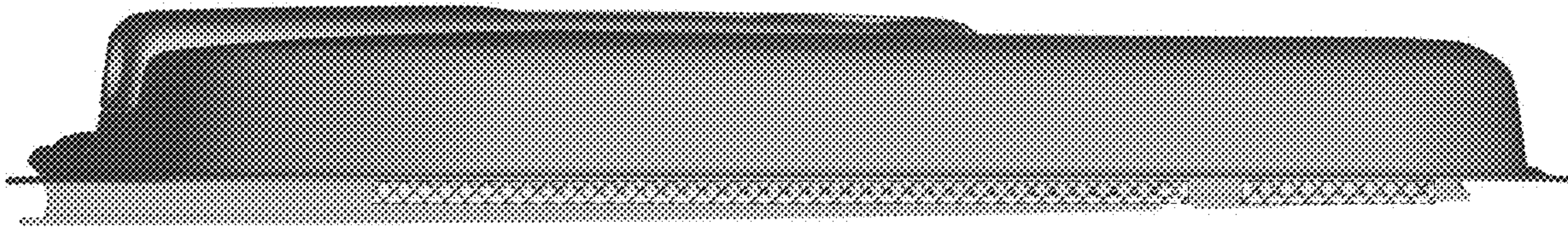


FIG. 4

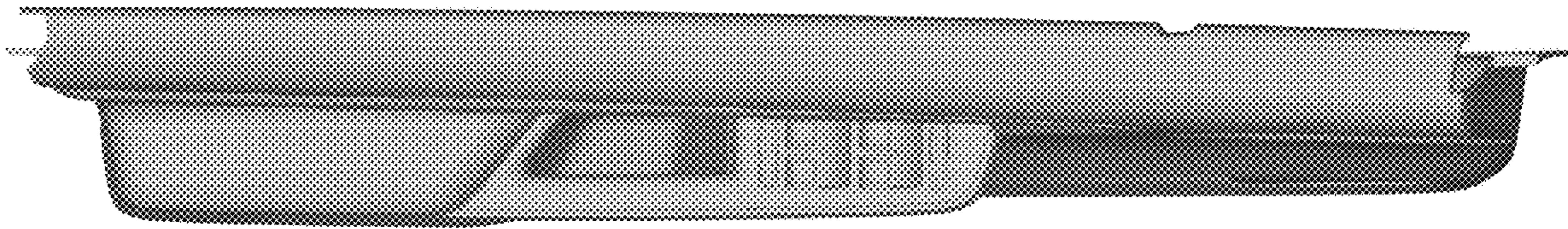


FIG. 5



FIG. 6

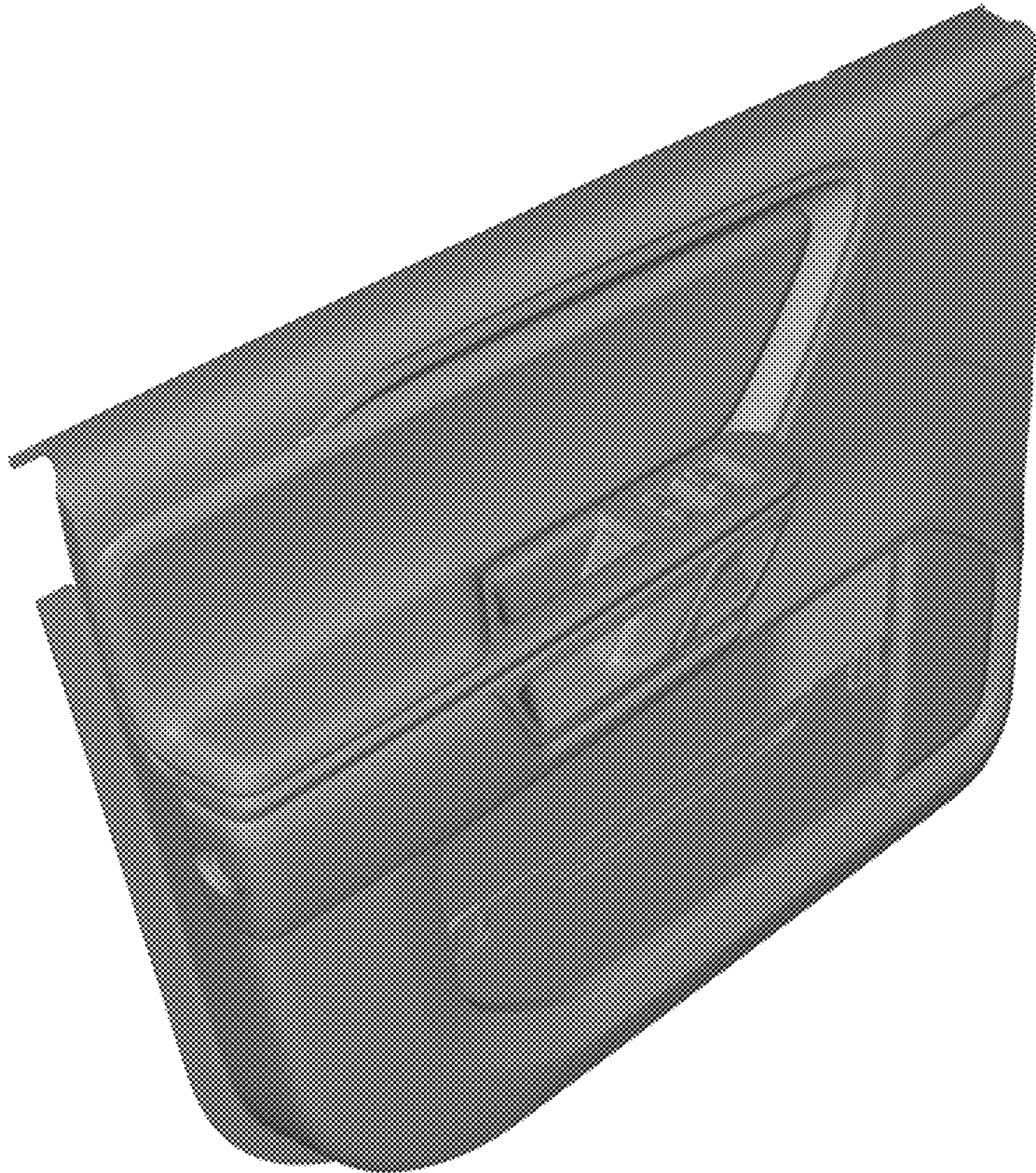


FIG. 7



FIG. 8

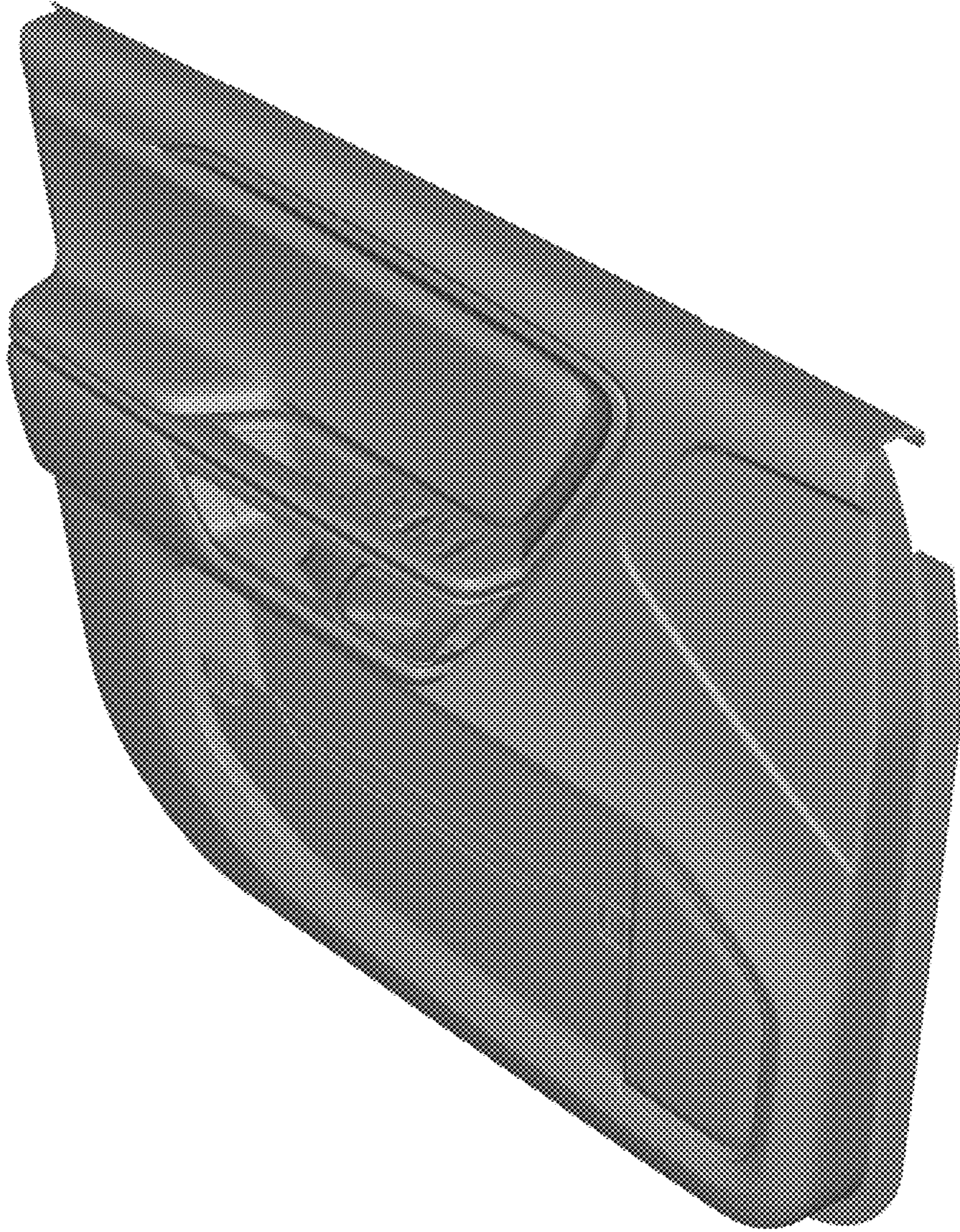


FIG. 9