



US00D919529S

(12) **United States Design Patent** (10) **Patent No.:** **US D919,529 S**  
**Dewitt et al.** (45) **Date of Patent:** **\*\* May 18, 2021**

(54) **VEHICLE MIRROR**

(71) Applicant: **Ford Global Technologies, LLC,**  
Dearborn, MI (US)

(72) Inventors: **David Dewitt,** Docklands (AU); **Todd Willing,** East Melbourne (AU); **Max Wolff,** Birmingham, MI (US)

(73) Assignee: **Ford Global Technologies, LLC,**  
Dearborn, MI (US)

(\*\*) Term: **15 Years**

(21) Appl. No.: **29/731,357**

(22) Filed: **Apr. 14, 2020**

**Related U.S. Application Data**

(62) Division of application No. 29/632,635, filed on Jan. 9, 2018, now Pat. No. Des. 881,094.

(51) **LOC (13) Cl.** ..... **12-16**

(52) **U.S. Cl.**  
USPC ..... **D12/187**

(58) **Field of Classification Search**  
USPC ..... D12/187, 188, 189, 191, 92; D6/300,  
D6/309

CPC ..... B60Q 1/2665; B60R 1/006; B60R 1/008;  
B60R 1/02; B60R 1/06; B60R 1/0605;  
B60R 1/074; B60R 1/076; B60R 1/078;  
B60R 1/08; B60R 1/081; B60R 1/082;  
B60R 1/10; F21S 43/19

See application file for complete search history.

(56) **References Cited**

**U.S. PATENT DOCUMENTS**

D578,047 S \* 10/2008 Kaoud ..... D12/187  
D620,408 S \* 7/2010 Elliott ..... D12/187  
D620,410 S \* 7/2010 Lamm ..... D12/187  
D636,307 S \* 4/2011 Lamm ..... D12/187

D642,504 S \* 8/2011 Tonello ..... D12/187  
D690,637 S \* 10/2013 O'Donnell ..... D12/187  
D691,076 S \* 10/2013 Vincent ..... D12/187  
D716,206 S \* 10/2014 Thole ..... D12/187  
D792,824 S \* 7/2017 Bucher ..... D12/187  
D800,039 S \* 10/2017 Bucher ..... D12/187  
D804,379 S \* 12/2017 McMahan ..... D12/187  
D807,263 S \* 1/2018 Piscitelli ..... D12/187  
D827,531 S \* 9/2018 Bucher ..... D12/187  
10,576,896 B2 \* 3/2020 Huizen ..... F21S 43/19  
D881,093 S \* 4/2020 Gueler ..... D12/187  
D881,094 S \* 4/2020 Dewitt ..... D12/187  
D881,768 S \* 4/2020 Gueler ..... D12/187  
D886,015 S \* 6/2020 Kim ..... D12/187  
D891,338 S \* 7/2020 Ninov ..... D12/187  
2010/0195228 A1 \* 8/2010 Sinelli ..... B60R 1/081  
359/866

\* cited by examiner

*Primary Examiner* — Susan E Krakower  
*Assistant Examiner* — Jerry Shiuan-Hua Hsu

(57) **CLAIM**

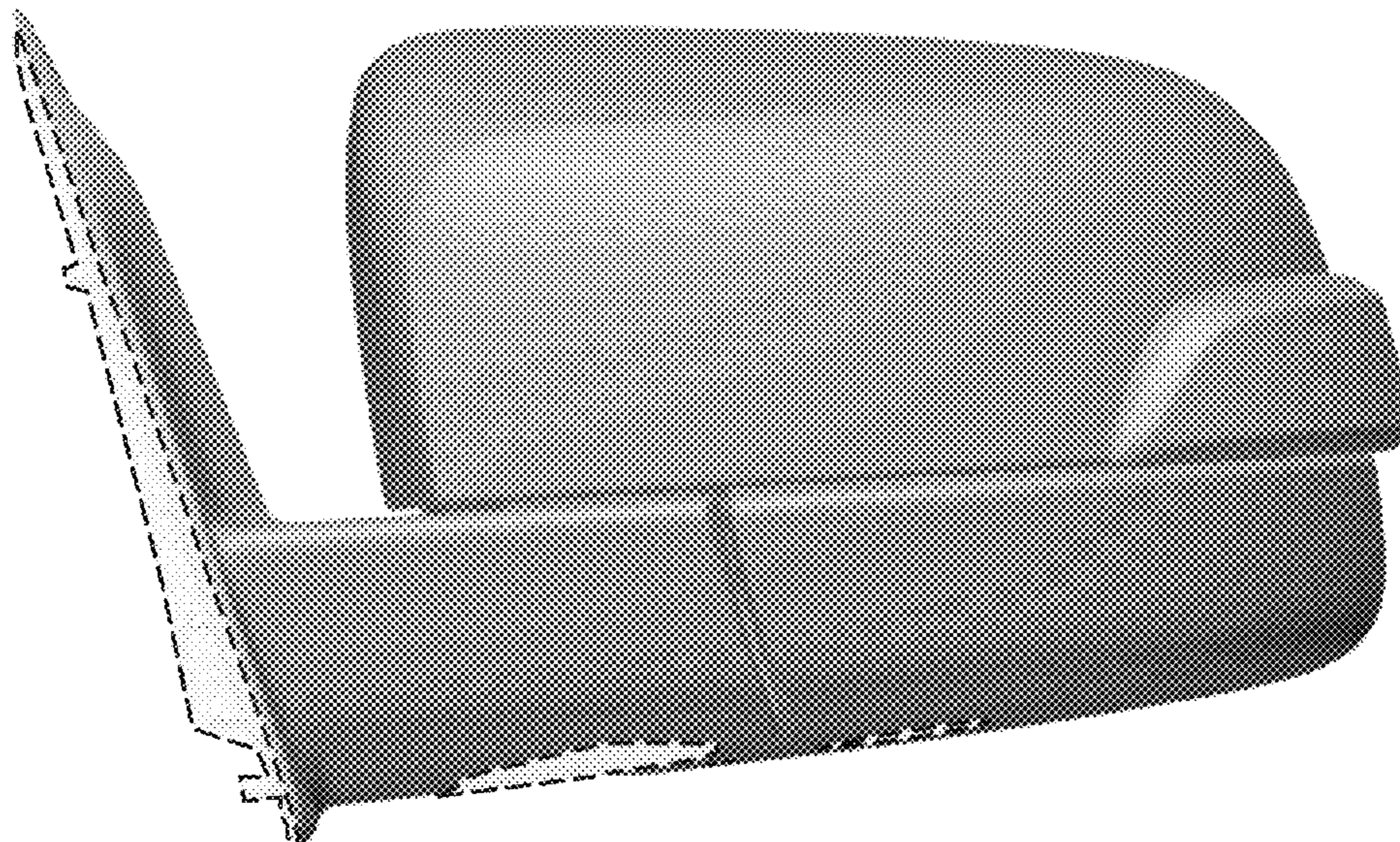
The ornamental design for a vehicle mirror, as shown and described.

**DESCRIPTION**

FIG. 1 is a front elevational view of a vehicle mirror, showing our new design;  
FIG. 2 is a rear elevational view thereof;  
FIG. 3 is a left side elevational view thereof;  
FIG. 4 is a right side elevational view thereof;  
FIG. 5 is a top plan view thereof;  
FIG. 6 is a bottom plan view thereof;  
FIG. 7 is a top, front, and left side perspective view thereof;  
and,  
FIG. 8 is a bottom, front, and left side perspective view thereof.

The broken lines represent portions of the vehicle mirror that form no part of the claimed design.

**1 Claim, 8 Drawing Sheets**



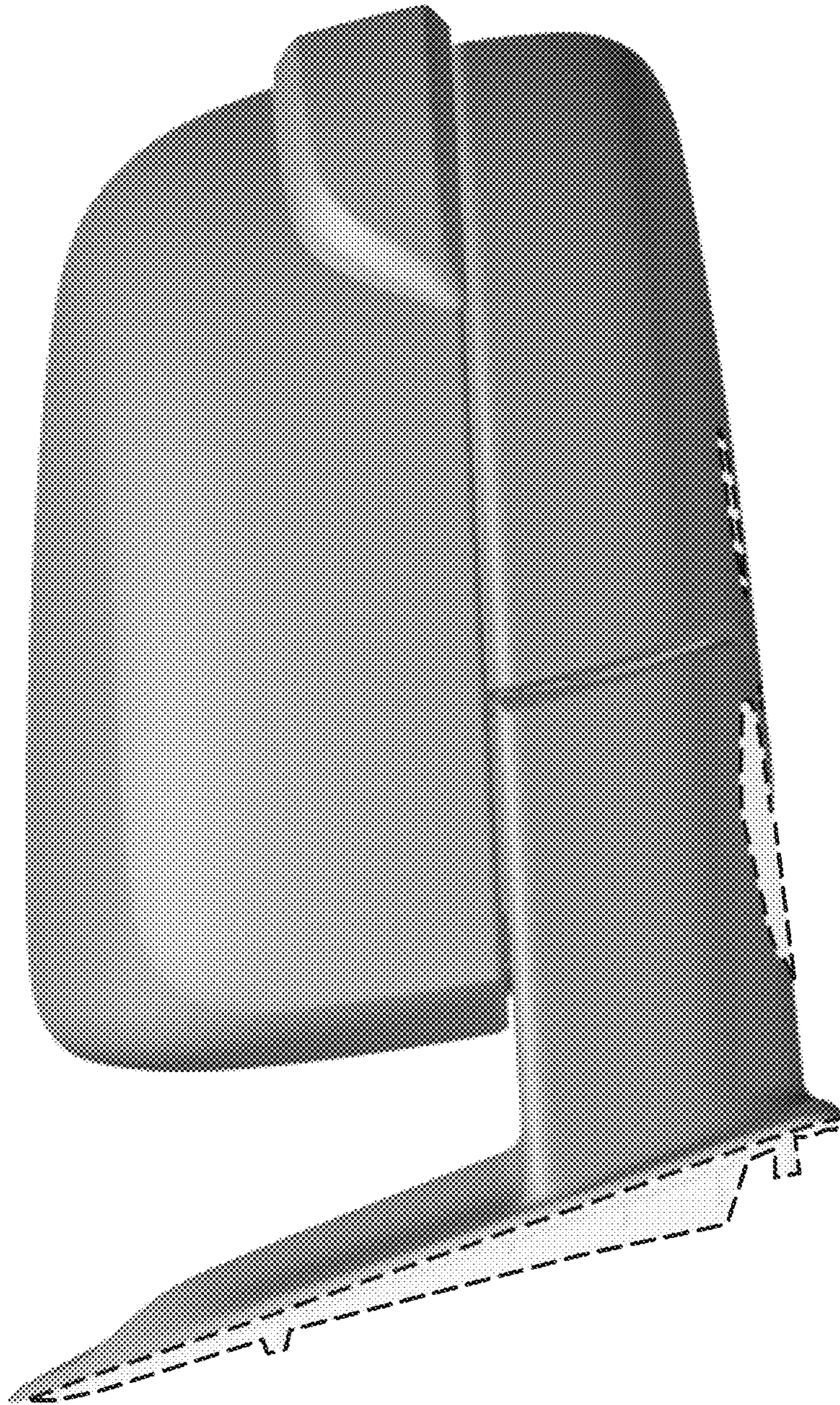


Fig. 1



Fig. 2

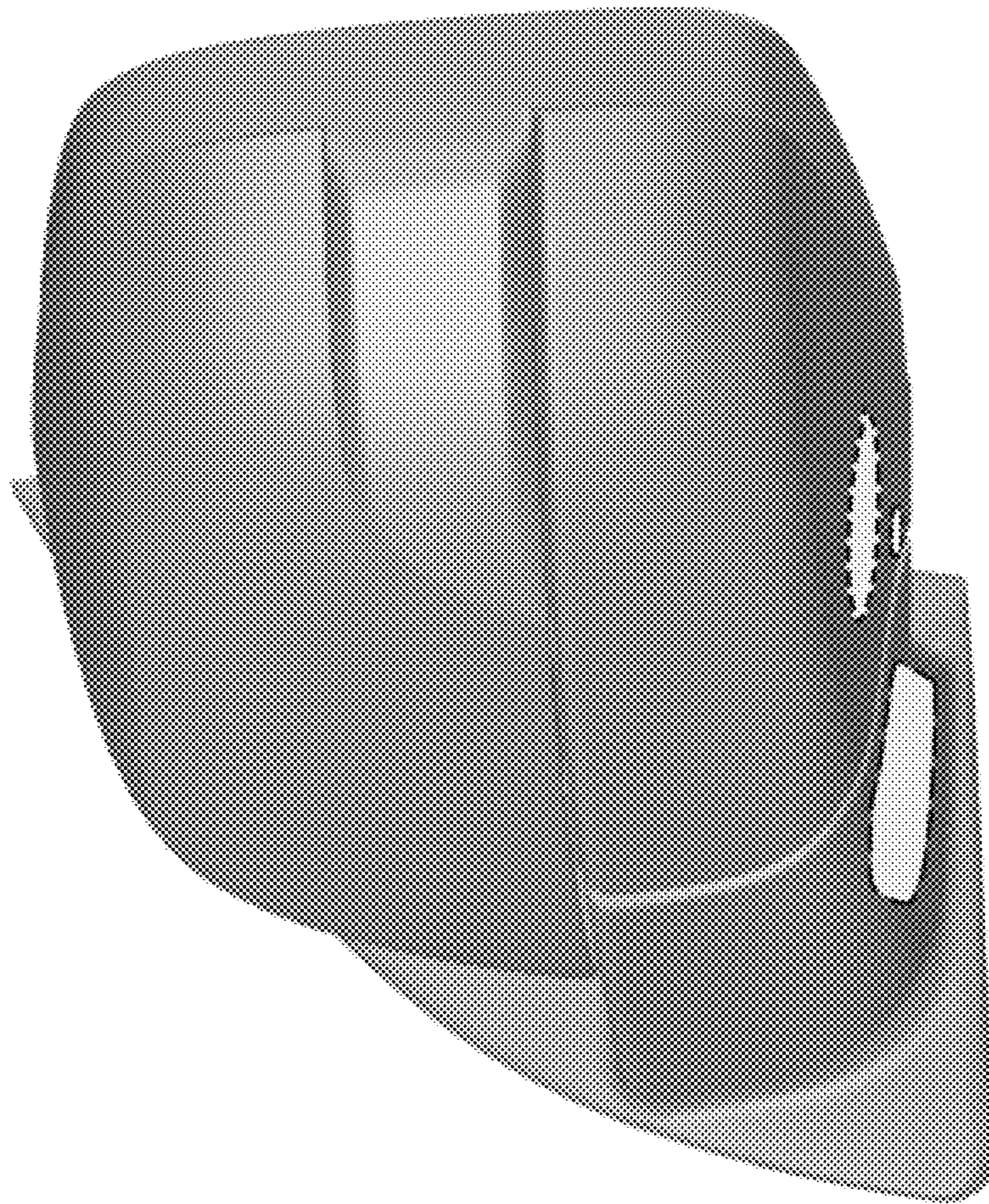


Fig. 3

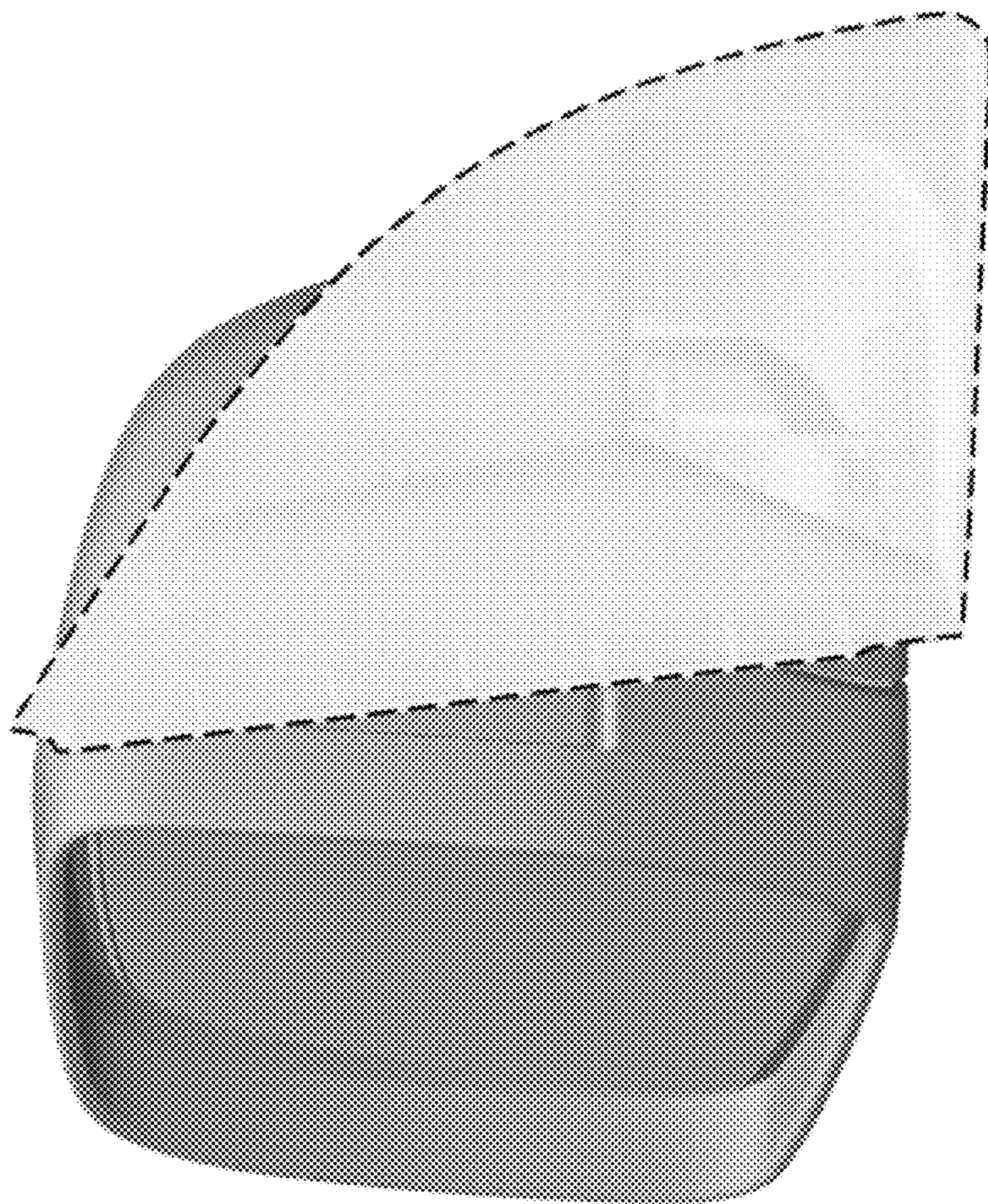


Fig. 4



Fig. 5

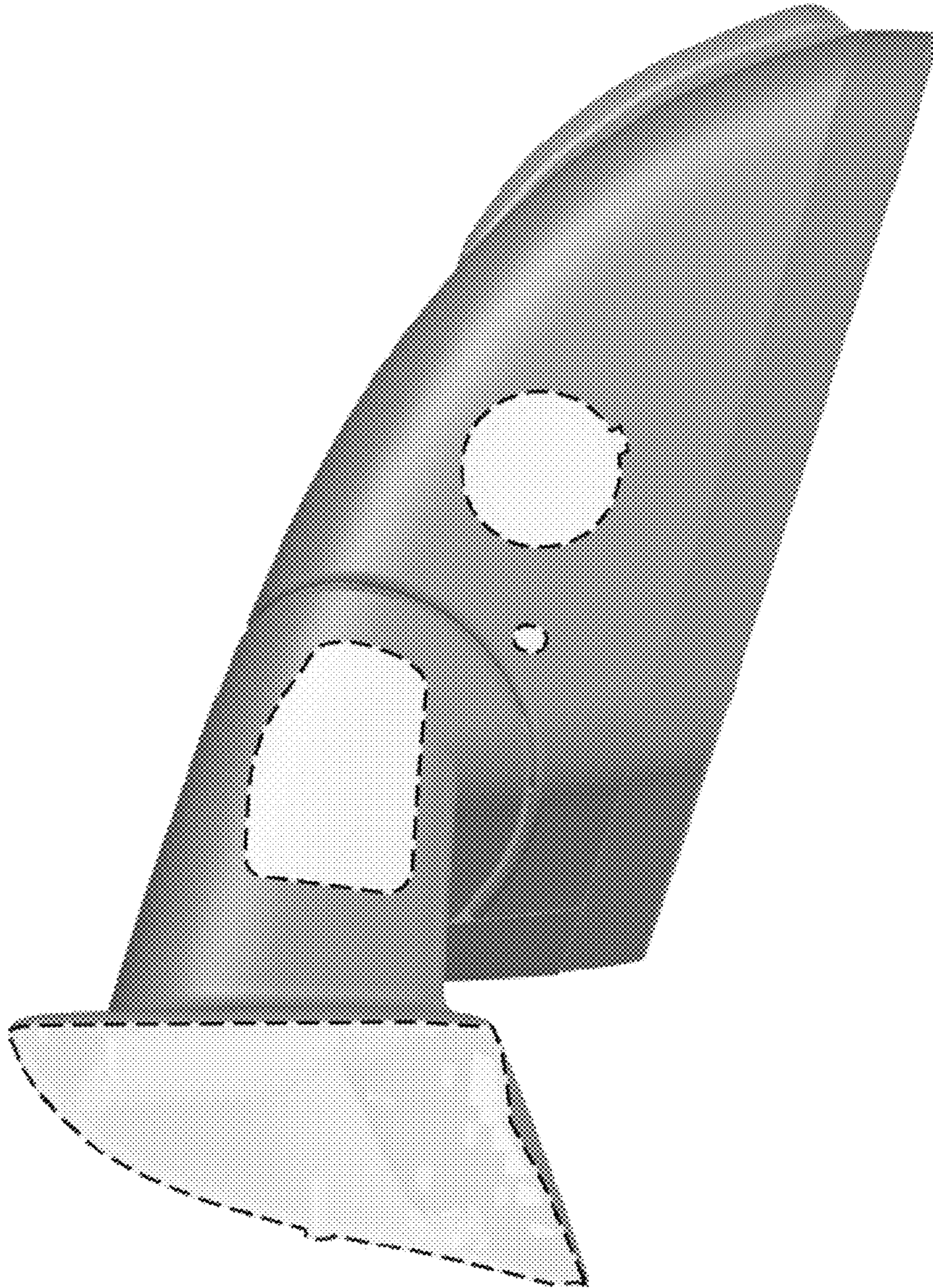


Fig. 6



Fig. 7



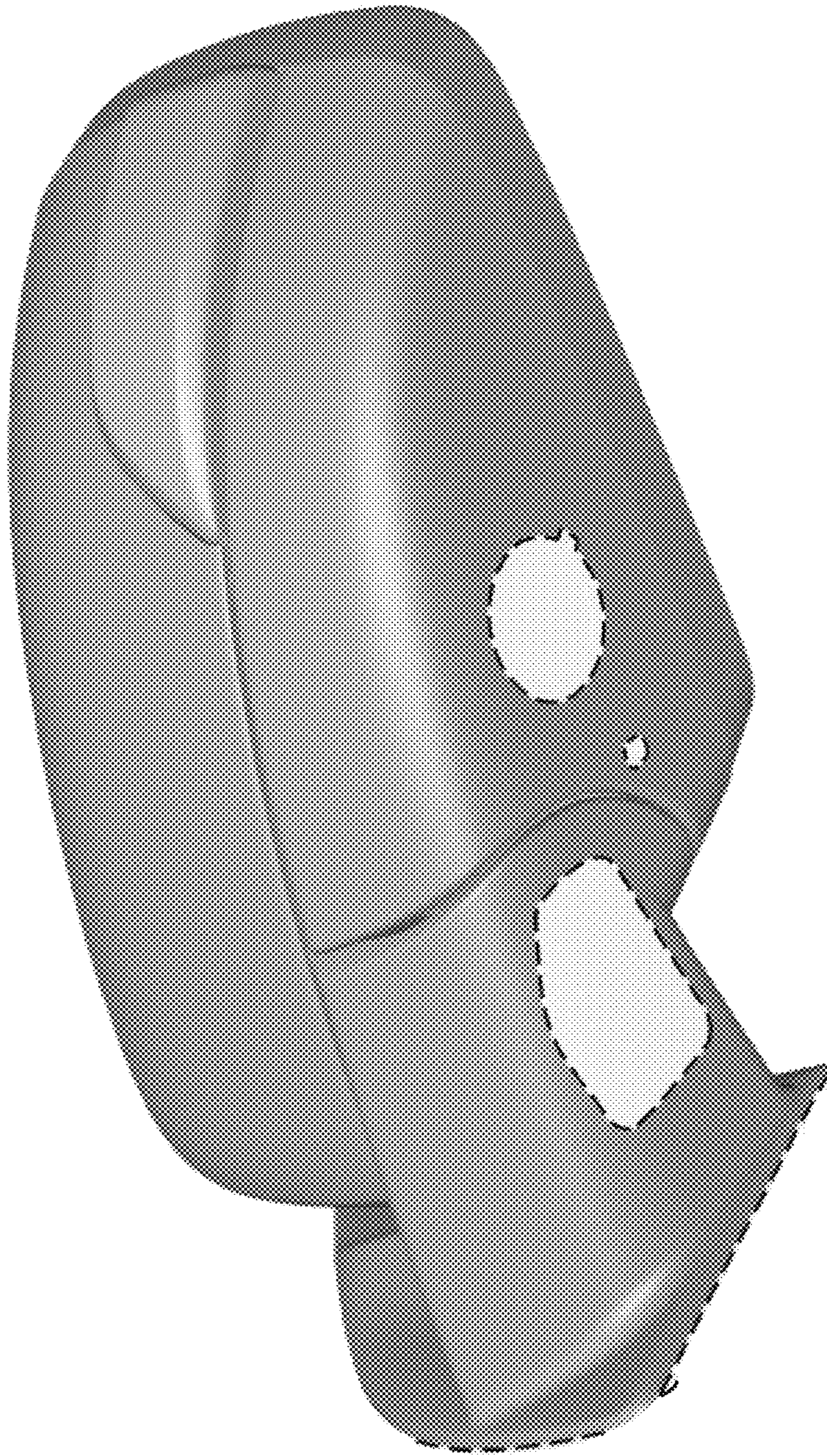


Fig. 8