



US00D919528S

(12) **United States Design Patent**
Lin et al.

(10) **Patent No.:** **US D919,528 S**
(45) **Date of Patent:** **** May 18, 2021**

(54) **EXTERIOR REARVIEW MIRROR**

D904,260 S * 12/2020 Piaskowski D12/187
D906,913 S * 1/2021 Chang D12/187
D908,565 S * 1/2021 Choi D12/187

(71) Applicant: **Unimicron Technology Corp.**, Taoyuan (TW)

FOREIGN PATENT DOCUMENTS

(72) Inventors: **Shih-Yao Lin**, Hsin-chu County (TW);
Ming-Yuan Hsu, Hsin-chu County (TW); **Meng-Chia Chan**, Hsin-chu County (TW); **Kuo-Chuan Huang**, Hsin-chu County (TW); **Cheng-Jui Chang**, Taoyuan (TW)

TW D185951 10/2017
TW D189465 4/2018

* cited by examiner

Primary Examiner — Katrina A Betton
(74) *Attorney, Agent, or Firm* — JCIPRNET

(73) Assignee: **Unimicron Technology Corp.**, Taoyuan (TW)

(57) **CLAIM**

The ornamental design for an exterior rearview mirror, as shown and described.

(**) Term: **15 Years**

DESCRIPTION

(21) Appl. No.: **29/716,933**

FIG. 1 is a perspective view of an exterior rearview mirror showing our new design;
FIG. 2 is a front view thereof;
FIG. 3 is a rear view thereof;
FIG. 4 is a left side view thereof;
FIG. 5 is a right side view thereof;
FIG. 6 is a top view thereof;
FIG. 7 is a bottom view thereof;
FIG. 8 is an enlarged view of the indicated portion in FIG. 2 with a pattern for warning light;
FIG. 9 is an enlarged view of the indicated portion in FIG. 2 with another pattern for warning light;
FIG. 10 is an enlarged view of the indicated portion in FIG. 2 with another pattern for warning light;
FIG. 11 is an enlarged view of the indicated portion in FIG. 2 with another pattern for warning light; and,
FIG. 12 is an enlarged view of the indicated portion in FIG. 2 with another pattern for warning light.

(22) Filed: **Dec. 13, 2019**

(30) **Foreign Application Priority Data**

Nov. 7, 2019 (TW) 108306883

(51) **LOC (13) Cl.** **12-16**

(52) **U.S. Cl.**
USPC **D12/187**

(58) **Field of Classification Search**
USPC D12/187-189; D6/300, 309
CPC B60R 1/076; G02B 7/182; G02B 5/08; G02B 7/18

See application file for complete search history.

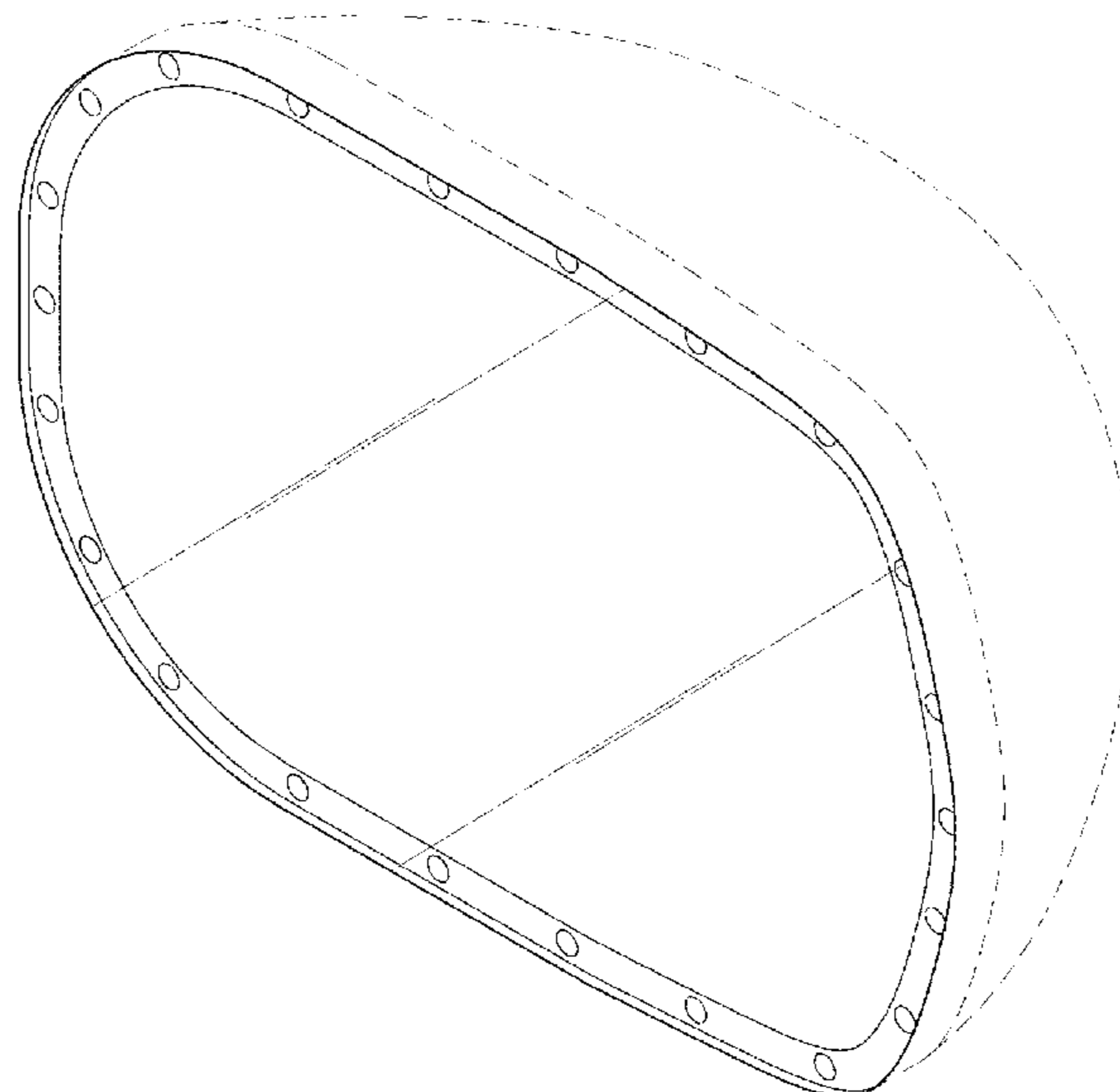
(56) **References Cited**

U.S. PATENT DOCUMENTS

D807,263 S * 1/2018 Piscitelli D12/187
D809,984 S * 2/2018 Hamlin D12/187
D869,364 S * 12/2019 Ambrosi D12/187
D883,877 S * 5/2020 Roth D12/187
D893,372 S * 8/2020 Smock D12/187
D904,258 S * 12/2020 Pritchard D12/187

The dashed broken lines in FIGS. 1, 3-7 illustrate portions of the article that form no part of the claimed design. The dashed broken lines in FIGS. 8-12 illustrate the patterns for warning light that form no part of the claimed design.

1 Claim, 9 Drawing Sheets



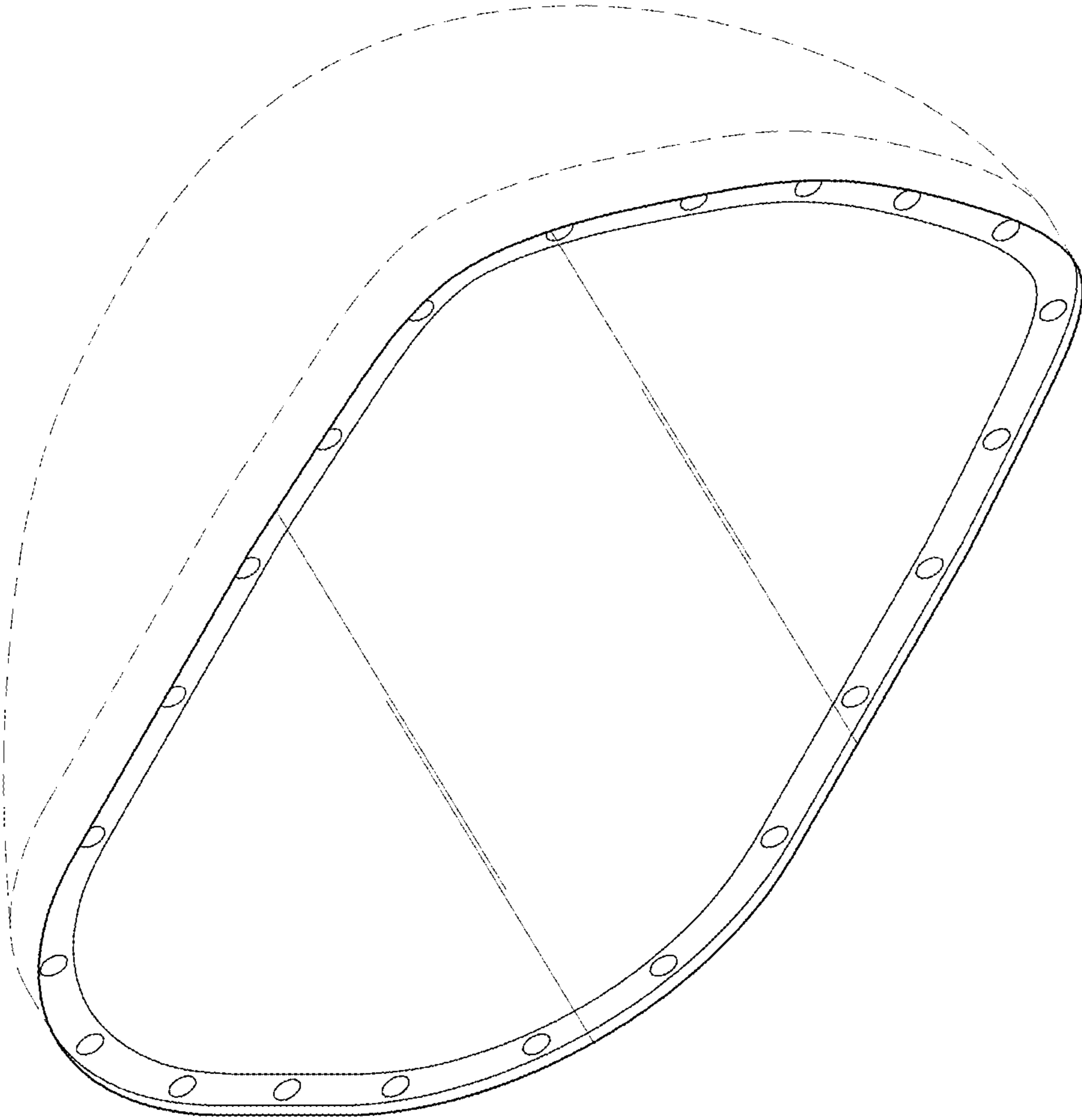


FIG. 1

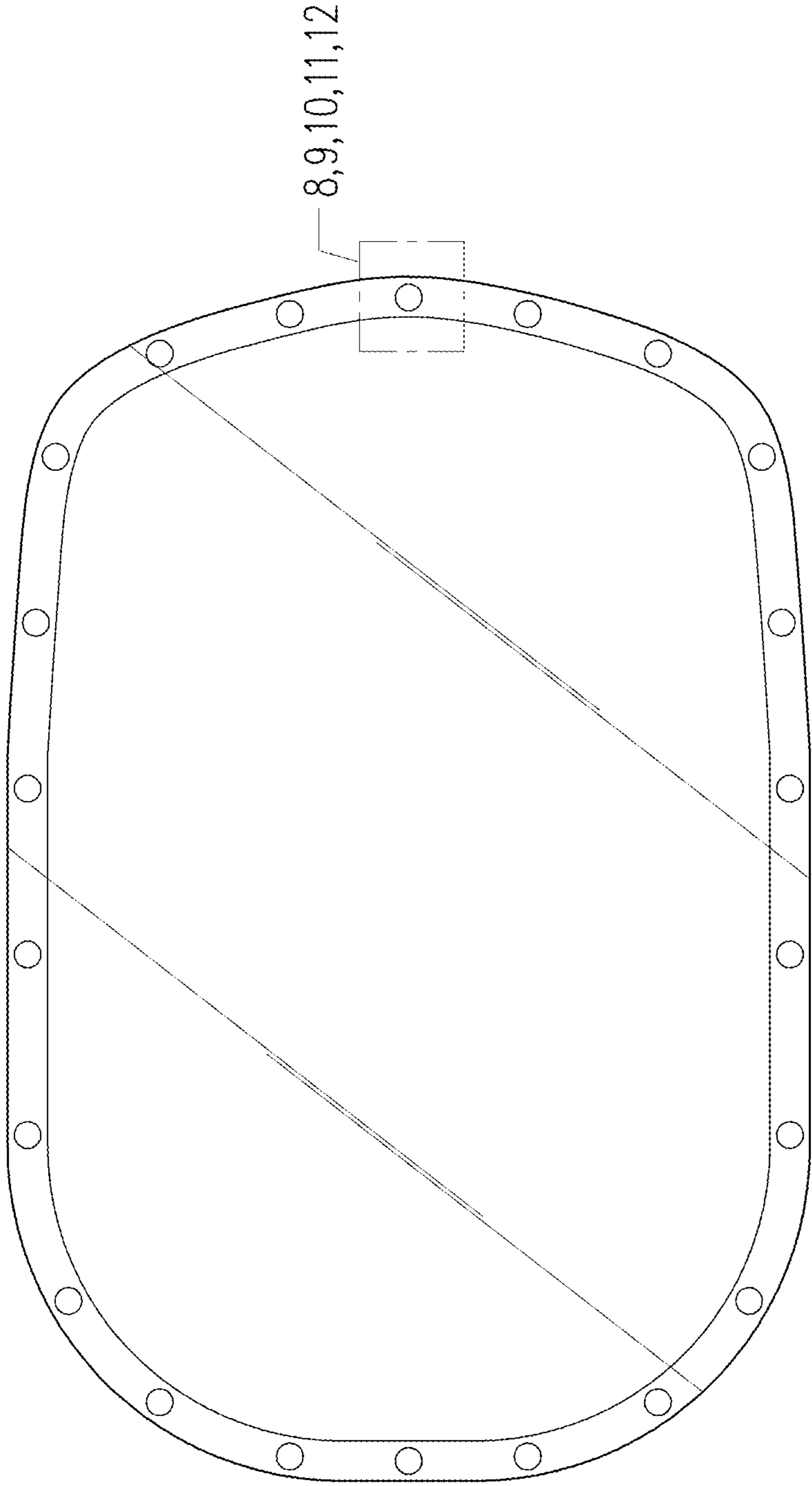


FIG. 2



FIG. 3

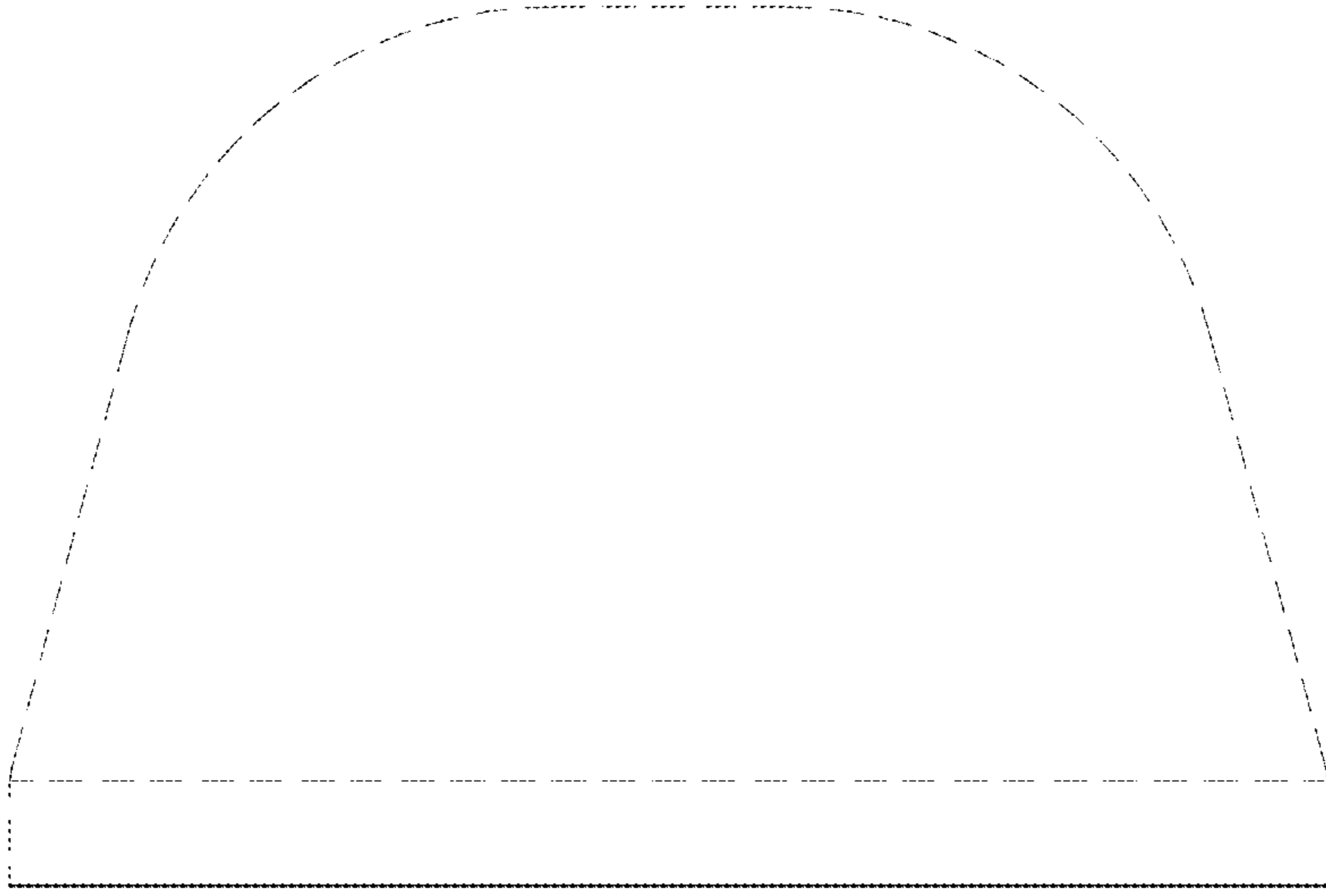


FIG. 5

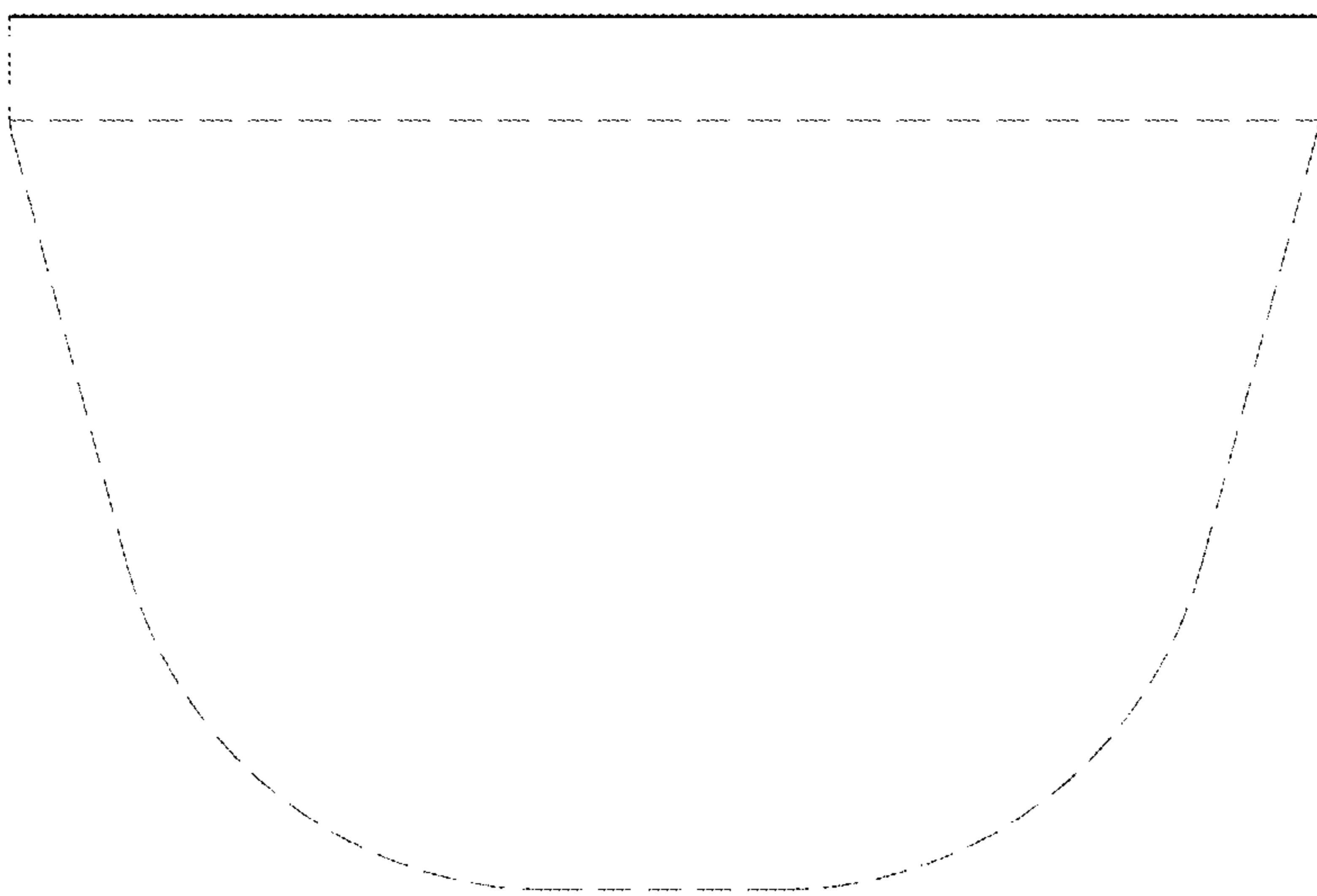


FIG. 4

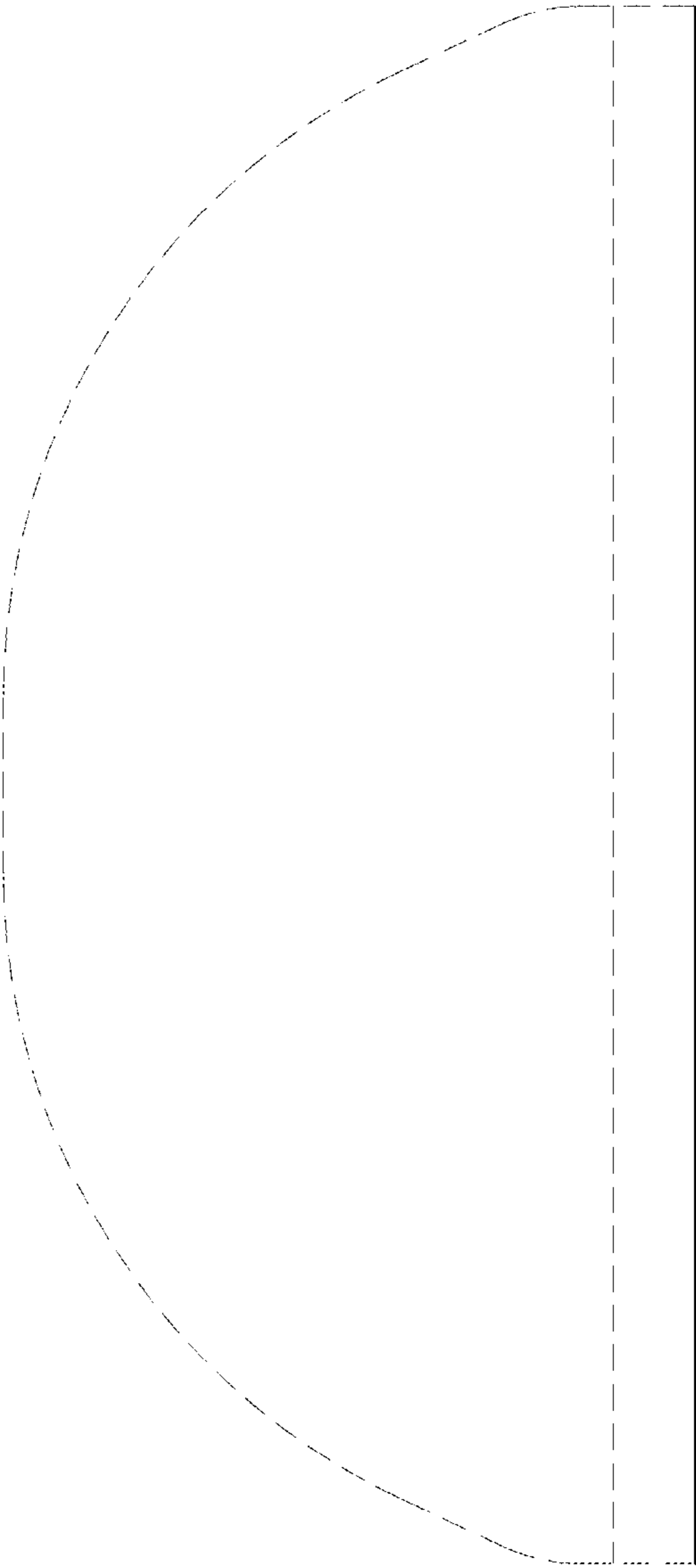


FIG. 6

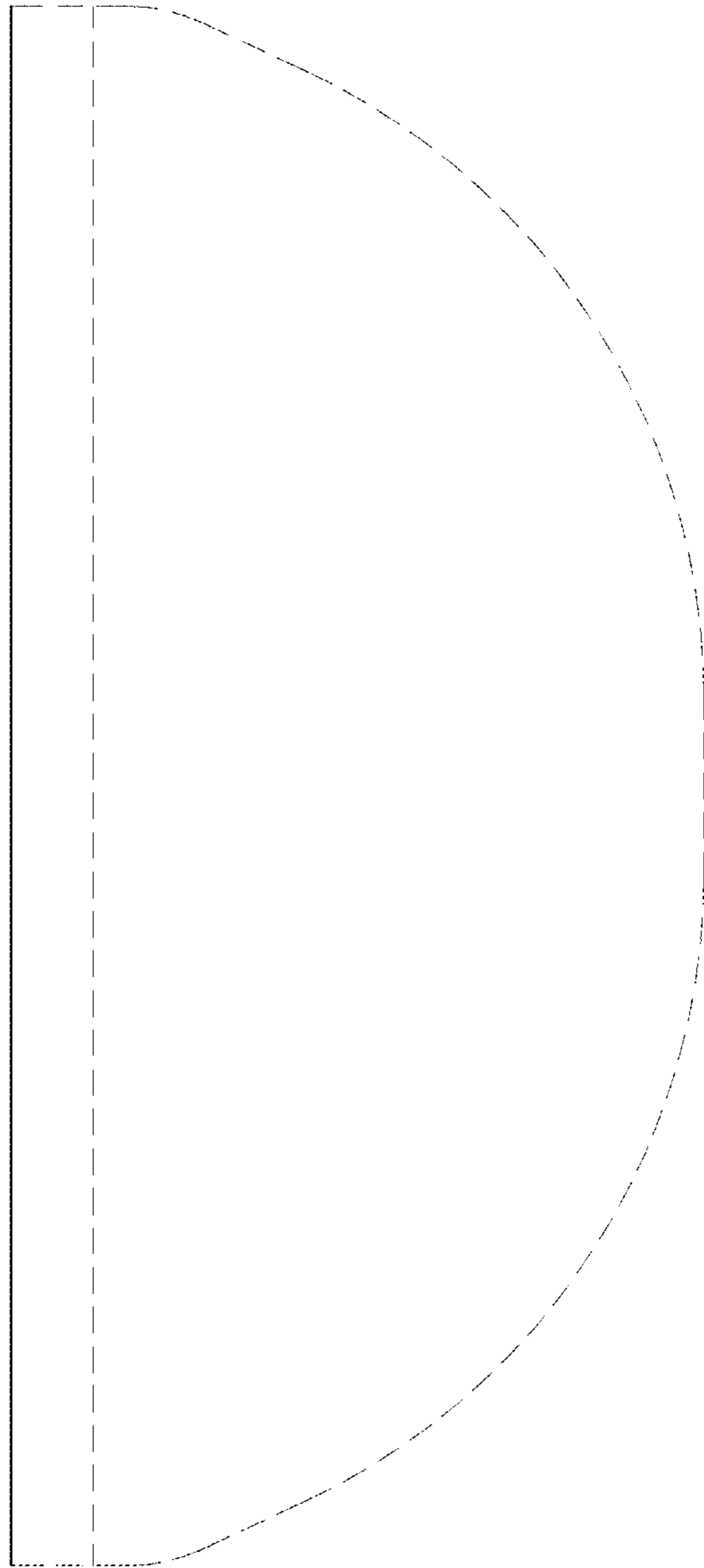


FIG. 7

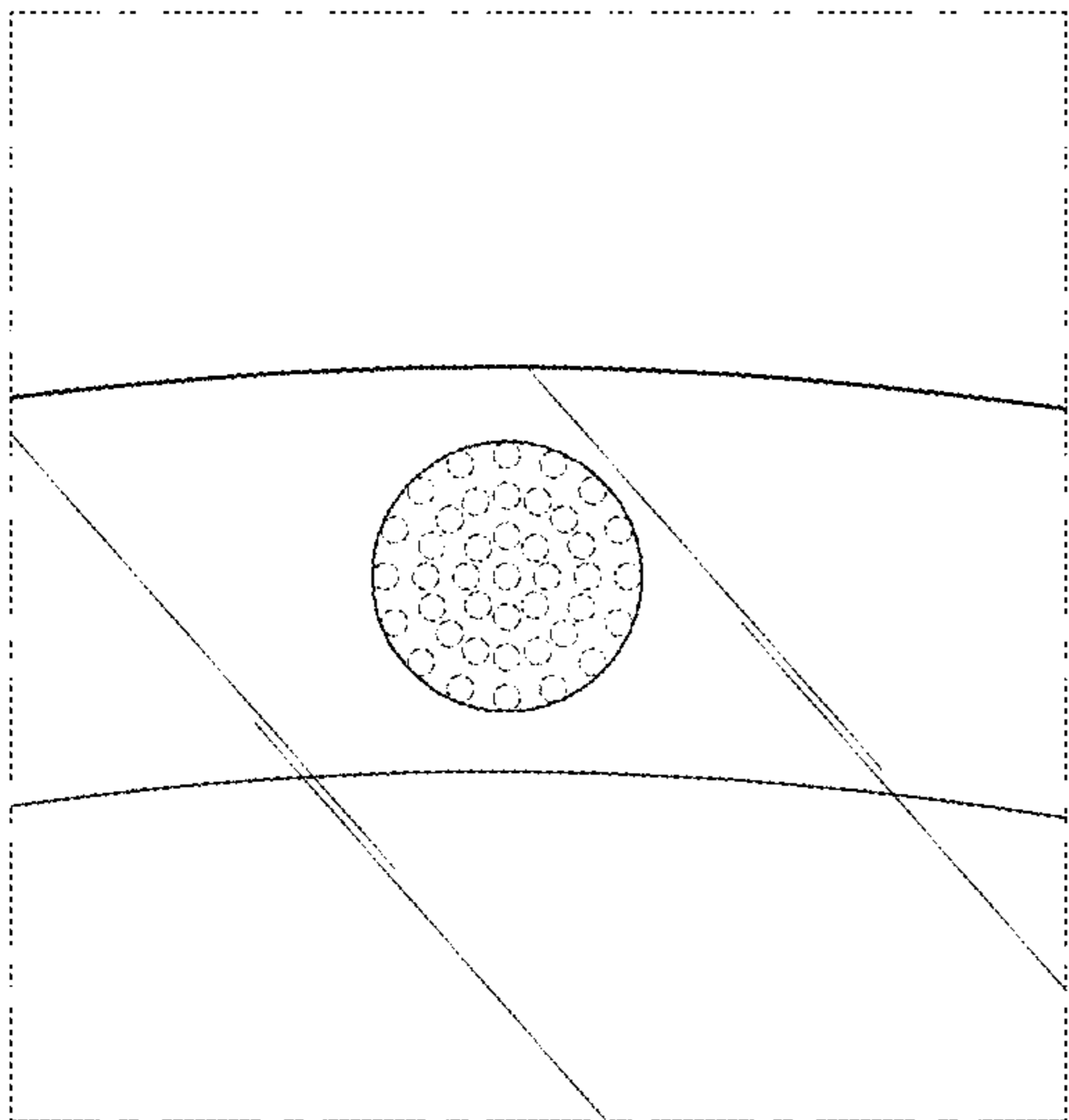


FIG. 8

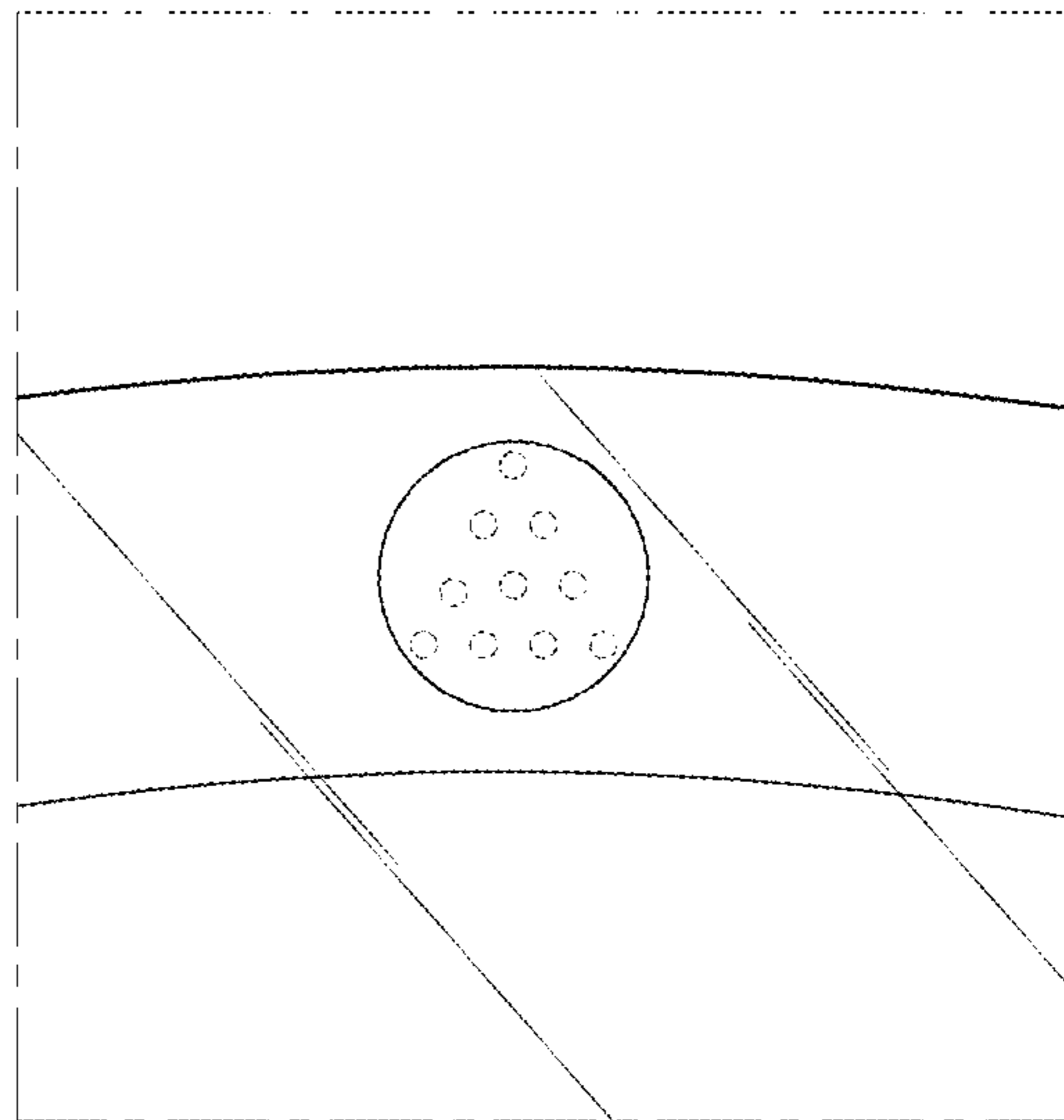


FIG. 9

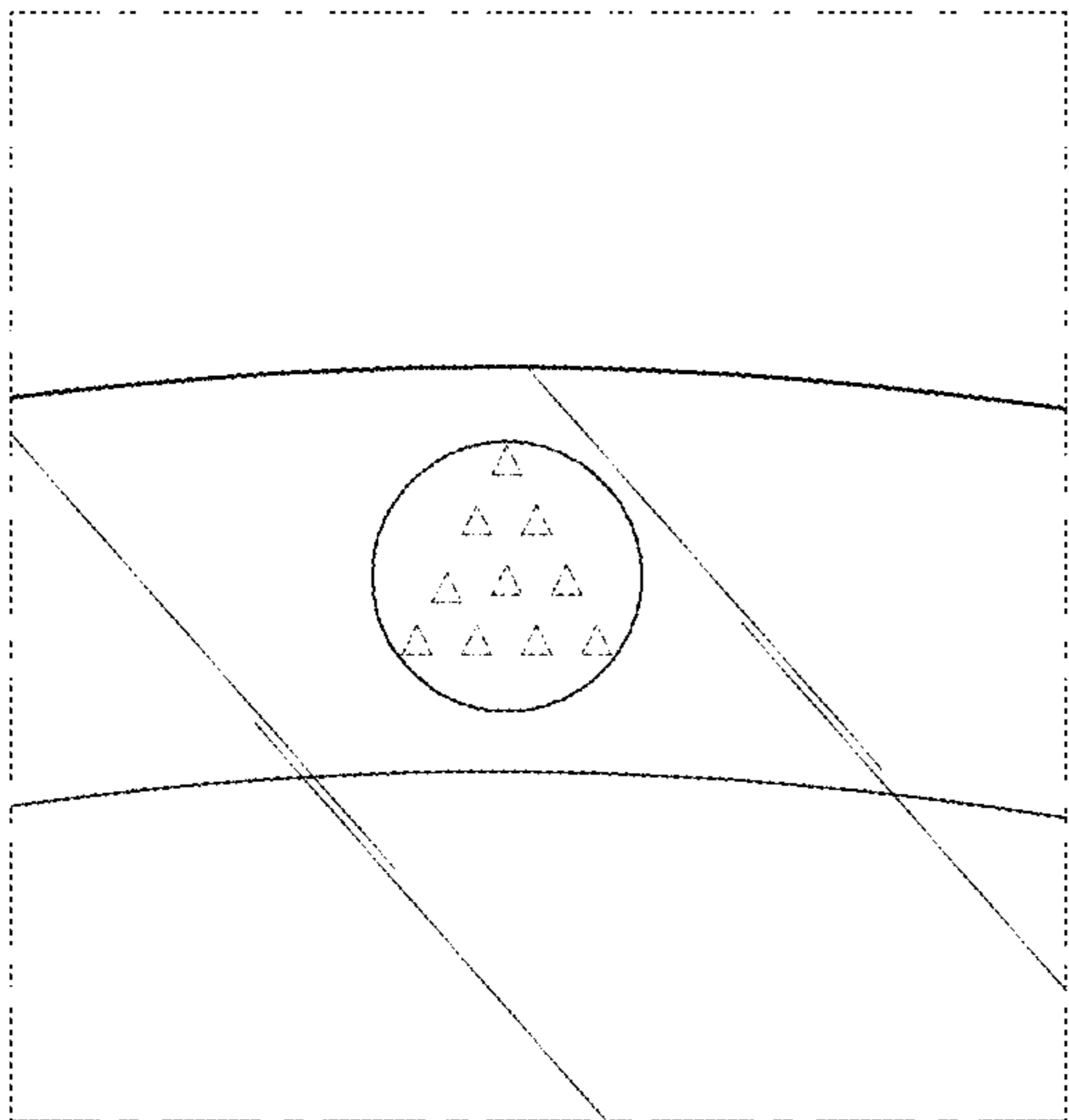


FIG. 10

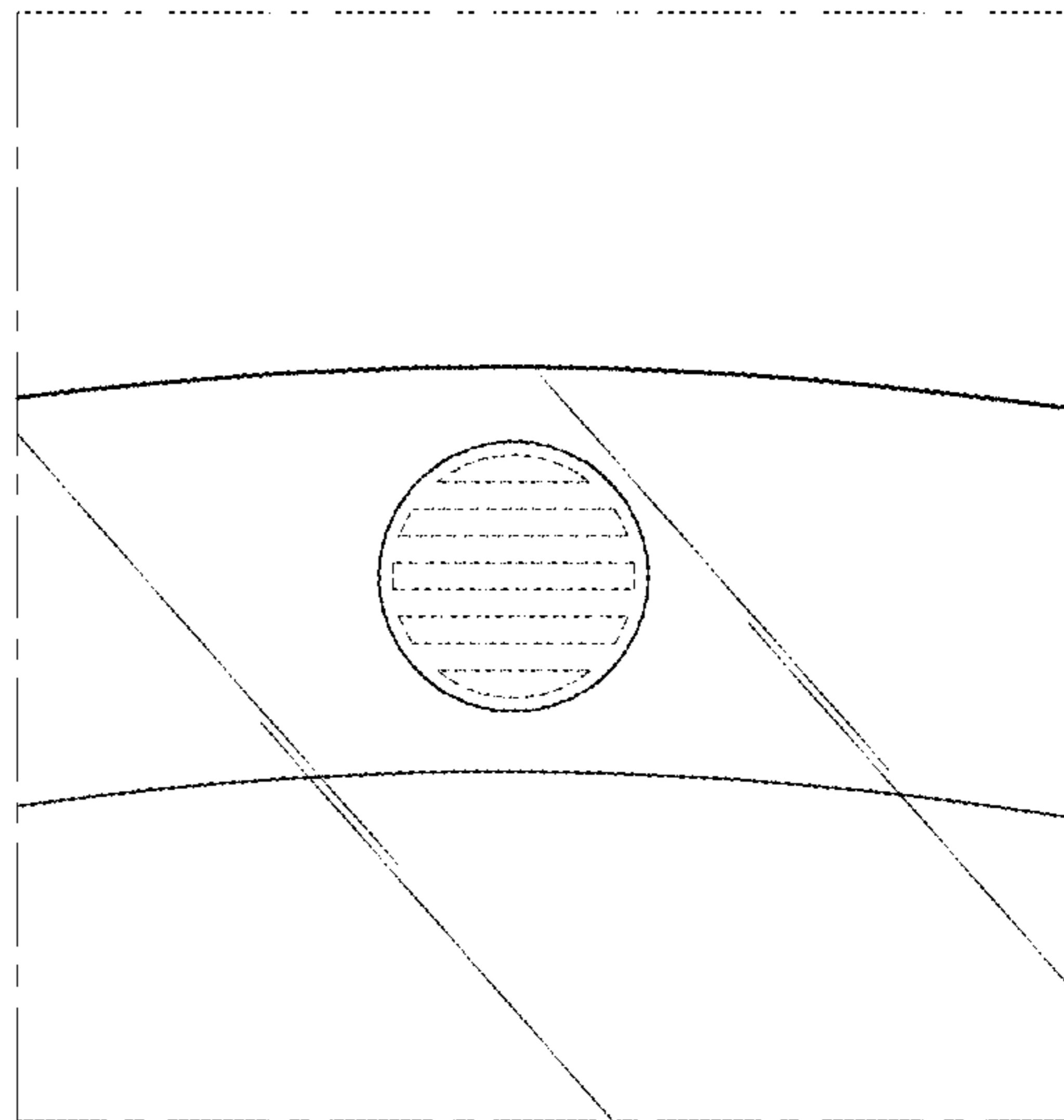


FIG. 11

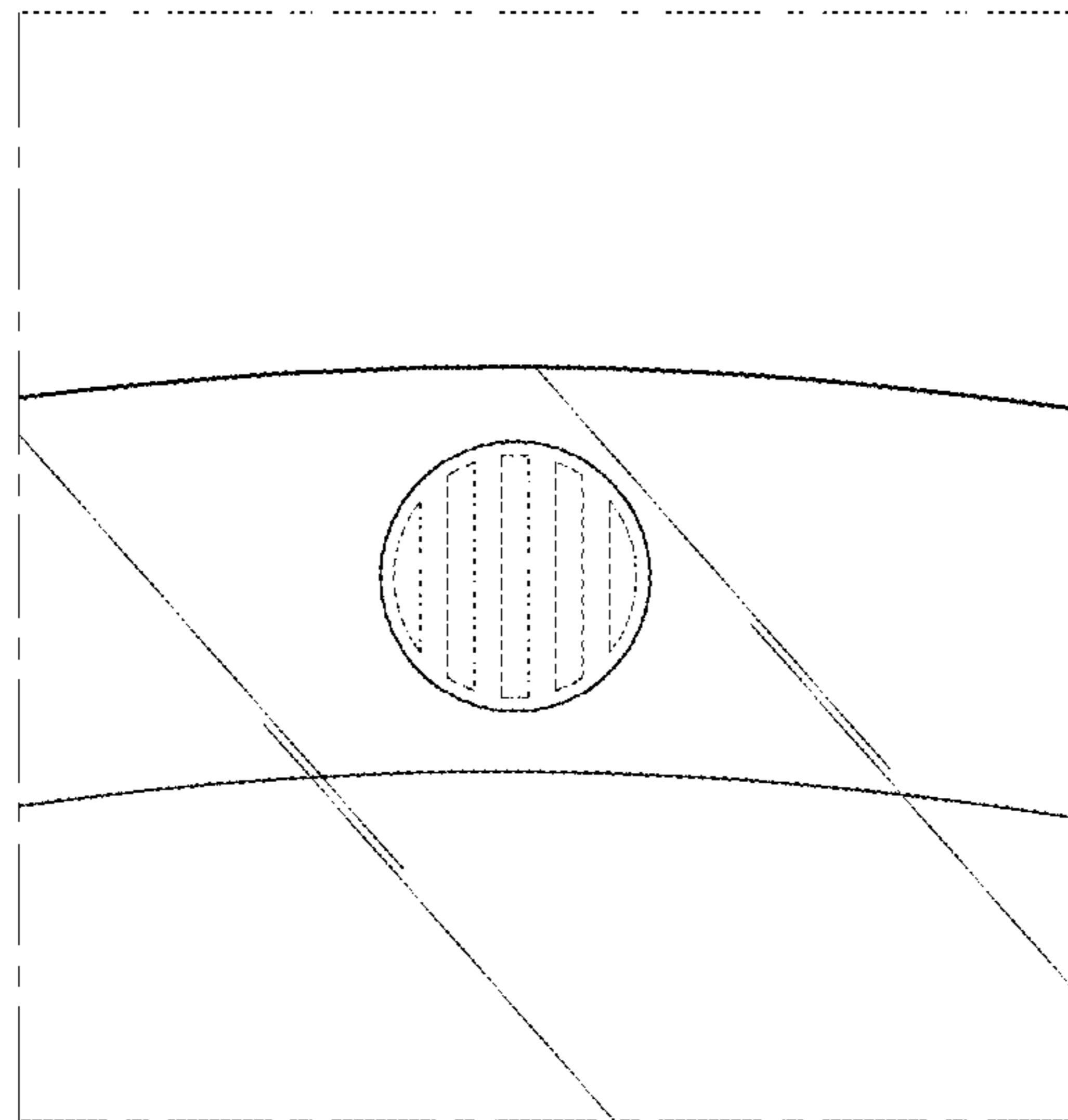


FIG. 12