



US00D919520S

(12) **United States Design Patent** (10) **Patent No.:** **US D919,520 S**
Wraith et al. (45) **Date of Patent:** **** May 18, 2021**

(54) **VEHICLE FENDER**

(71) Applicant: **Ford Global Technologies, LLC**,
Dearborn, MI (US)
(72) Inventors: **Paul J. Wraith**, West Bloomfield, MI
(US); **Dong H. Park**, Canton, MI (US);
Brian S. Paik, Los Angeles, CA (US);
Daniel J. Kangas, Livonia, MI (US)

(73) Assignee: **Ford Global Technologies, LLC**,
Dearborn, MI (US)

(**) Term: **15 Years**

(21) Appl. No.: **29/700,420**

(22) Filed: **Aug. 2, 2019**

(51) **LOC (13) Cl.** **12-16**

(52) **U.S. Cl.**
USPC **D12/181**; D12/184

(58) **Field of Classification Search**
USPC D12/114, 181, 184, 186, 196; D15/28
CPC B60R 13/00; B60R 13/08; B32B 27/08;
B62D 25/16; B62D 25/18
See application file for complete search history.

(56) **References Cited**

U.S. PATENT DOCUMENTS

9,278,716	B1 *	3/2016	Joseph	B62D 29/043
D756,870	S *	5/2016	Tsutamori	D12/184
D758,935	S *	6/2016	Platto	D12/184
9,403,557	B1 *	8/2016	Sharma	B62D 25/16
9,487,238	B2 *	11/2016	Iwano	B62D 65/024
D775,031	S *	12/2016	Frascella	D12/184
D787,395	S *	5/2017	Curic	D12/181
9,669,876	B2 *	6/2017	Iwano	B62D 25/16
9,738,322	B2 *	8/2017	Matthiessen	B62D 25/04
D803,119	S *	11/2017	Beermann	D12/184
D803,741	S *	11/2017	Tsubaki	D12/184
D805,013	S *	12/2017	Whitla	D12/181
D806,622	S *	1/2018	Granlund	D12/184

D807,261	S *	1/2018	Zavatski	D12/184
9,890,966	B2 *	2/2018	Mueller	B62D 25/16
D817,829	S *	5/2018	Behmer	D12/184
D820,751	S *	6/2018	Luk	D12/184
D823,741	S *	7/2018	Kim	D12/169
10,023,241	B2 *	7/2018	Umemoto	B62D 37/02
10,035,543	B2 *	7/2018	Sato	B60J 5/0444
D826,811	S *	8/2018	Lim	D12/184
D827,527	S *	9/2018	Loeb	D12/184

(Continued)

OTHER PUBLICATIONS

Michael Martinez, Ford's 2020 Baby Bronco off-roader emerges in photos from dealer meeting, <http://www.automews.com/article/20181113/OEM04/181119911/ford-baby-bronco-photos-leaked> Nov. 13, 2018.

Primary Examiner — Brett Miller
Assistant Examiner — Suzanne E Tisdell

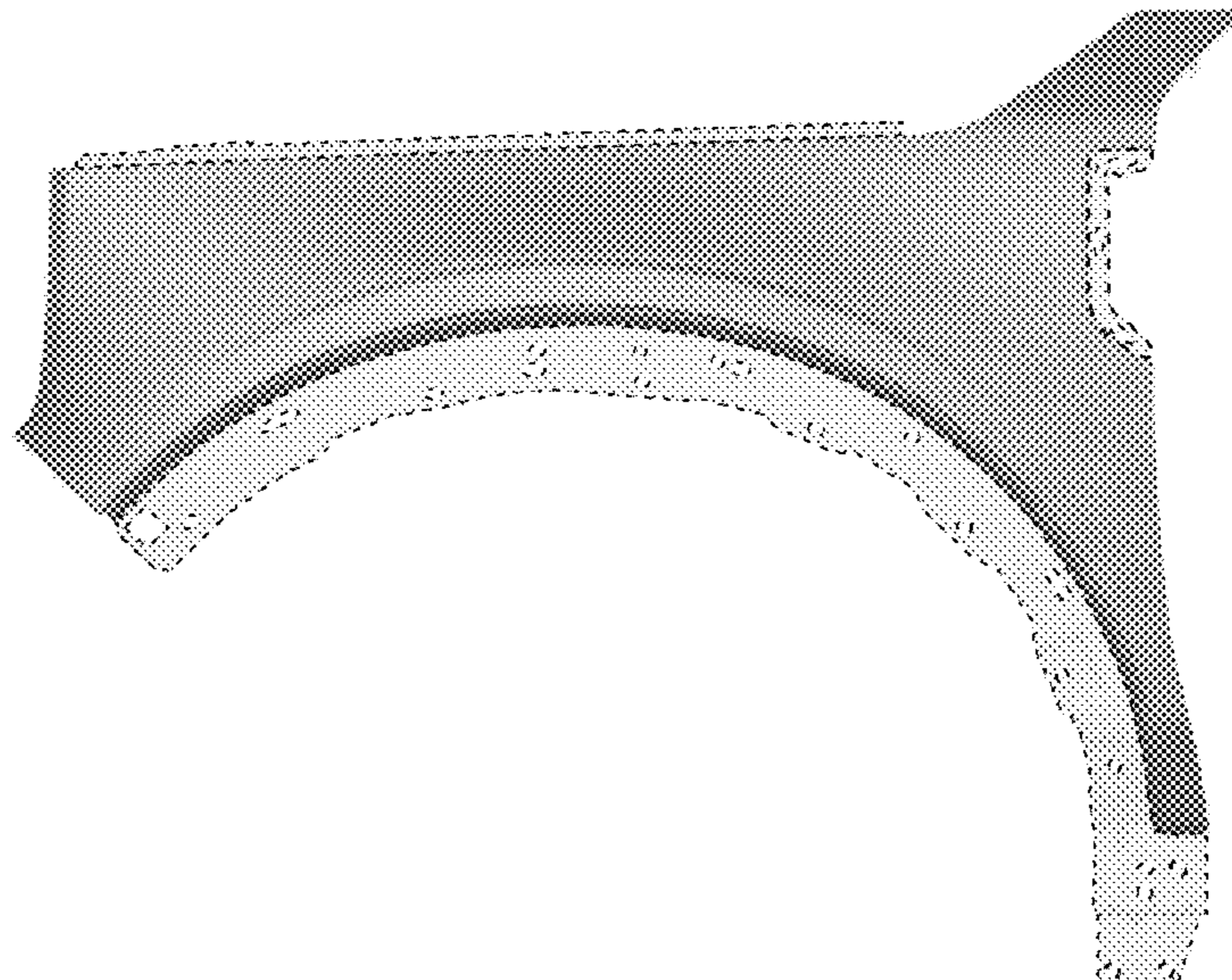
(57) **CLAIM**

The ornamental design for a vehicle fender, as shown and described.

DESCRIPTION

FIG. 1 is a front elevational view of a vehicle fender, showing our new design;
FIG. 2 is a left side elevational view thereof;
FIG. 3 is a right side elevational view thereof;
FIG. 4 is a top plan view thereof;
FIG. 5 is a bottom plan view thereof;
FIG. 6 is a top, front and left side perspective view thereof;
and,
FIG. 7 is a top, rear and right side perspective view thereof.
The vehicle fender shown in FIGS. 1-7 is shown with broken lines and the broken lines and any element shown outside of the broken lines form no part of the claimed invention, but instead are included to show environmental aspects of the claimed invention.

1 Claim, 7 Drawing Sheets



(56)

References Cited

U.S. PATENT DOCUMENTS

D827,528 S * 9/2018 Gueler D12/184
D827,529 S * 9/2018 Al Attar D12/184
D828,254 S * 9/2018 Simm D12/184
10,077,085 B2 * 9/2018 Pfaffelhuber B62D 27/02

* cited by examiner

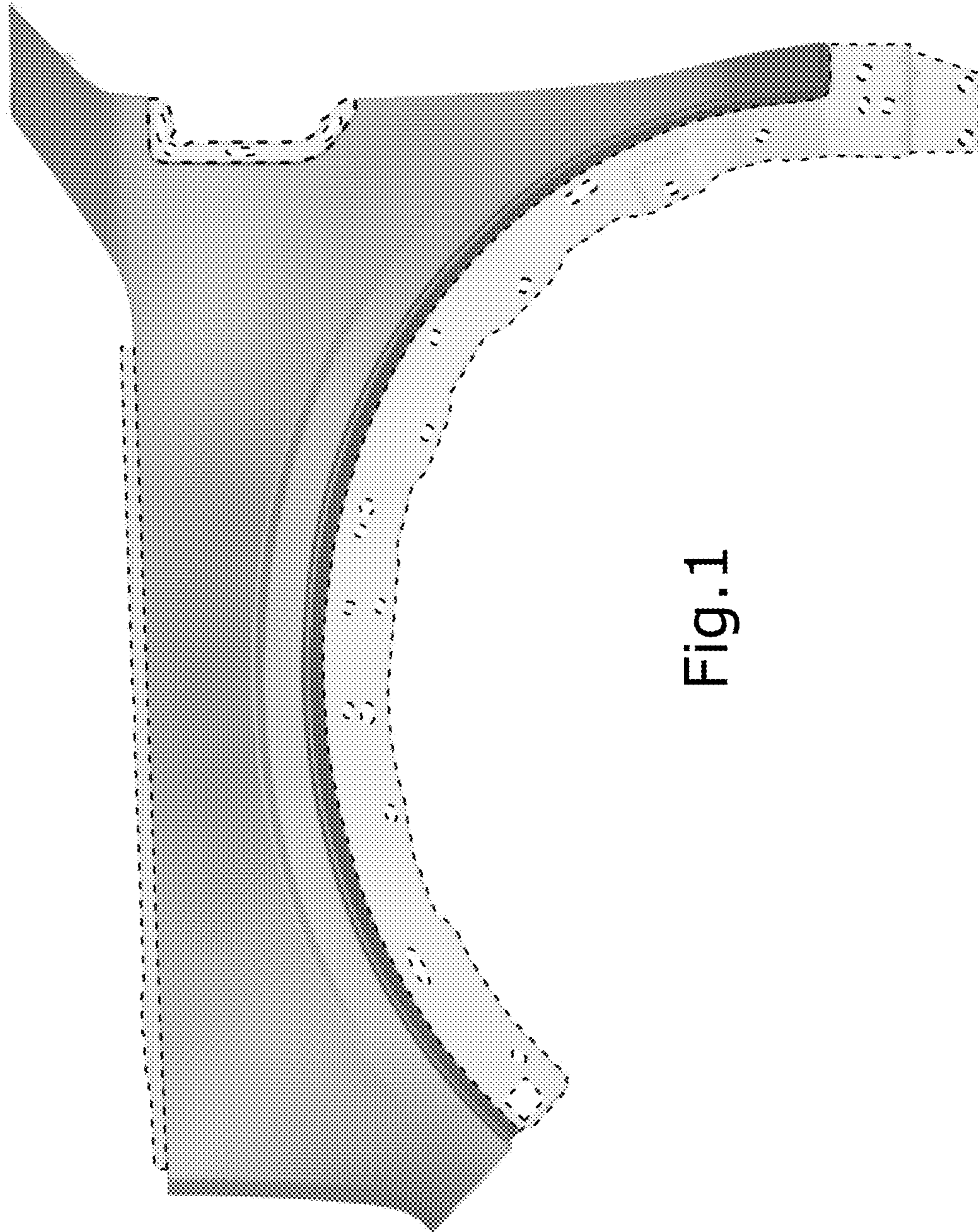
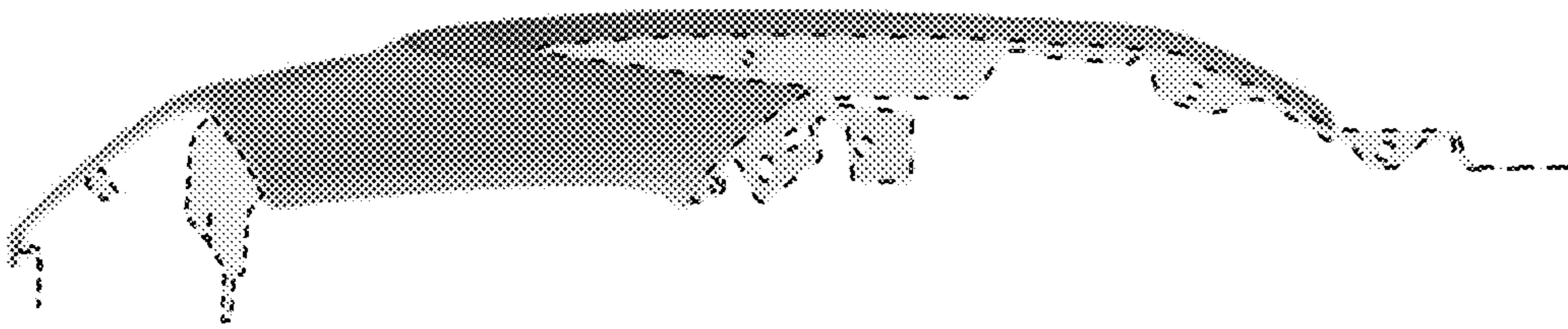


Fig. 1

Fig. 2



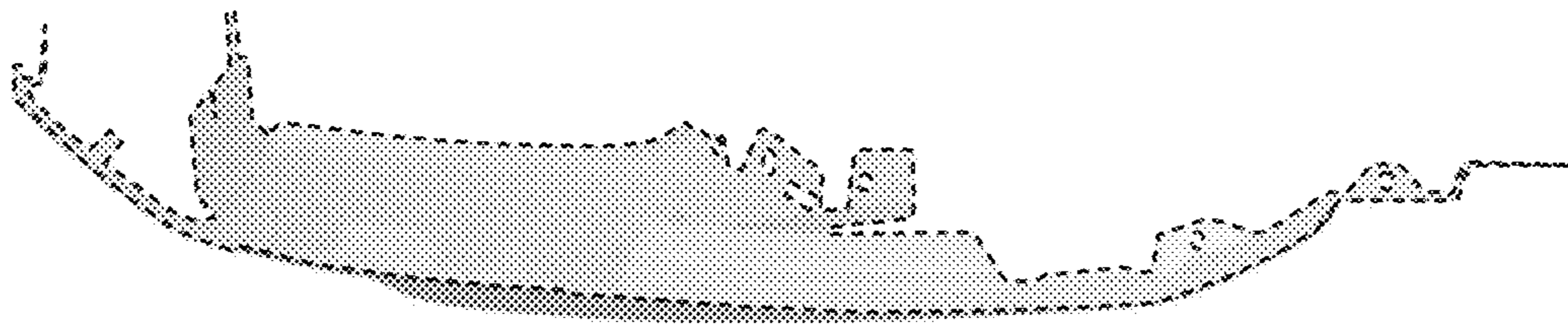


Fig. 3

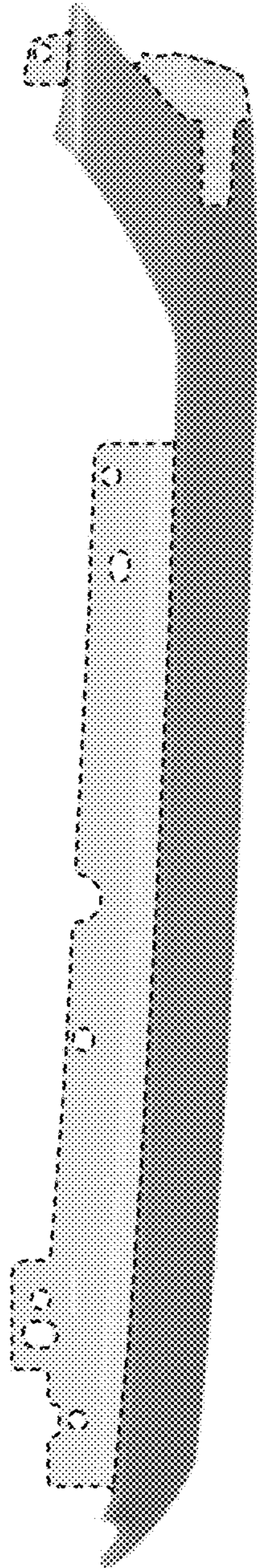
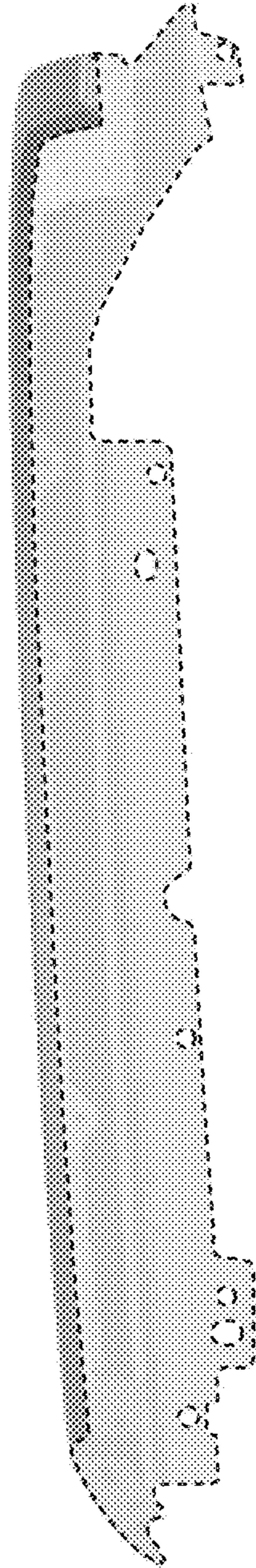


Fig. 4

Fig. 5



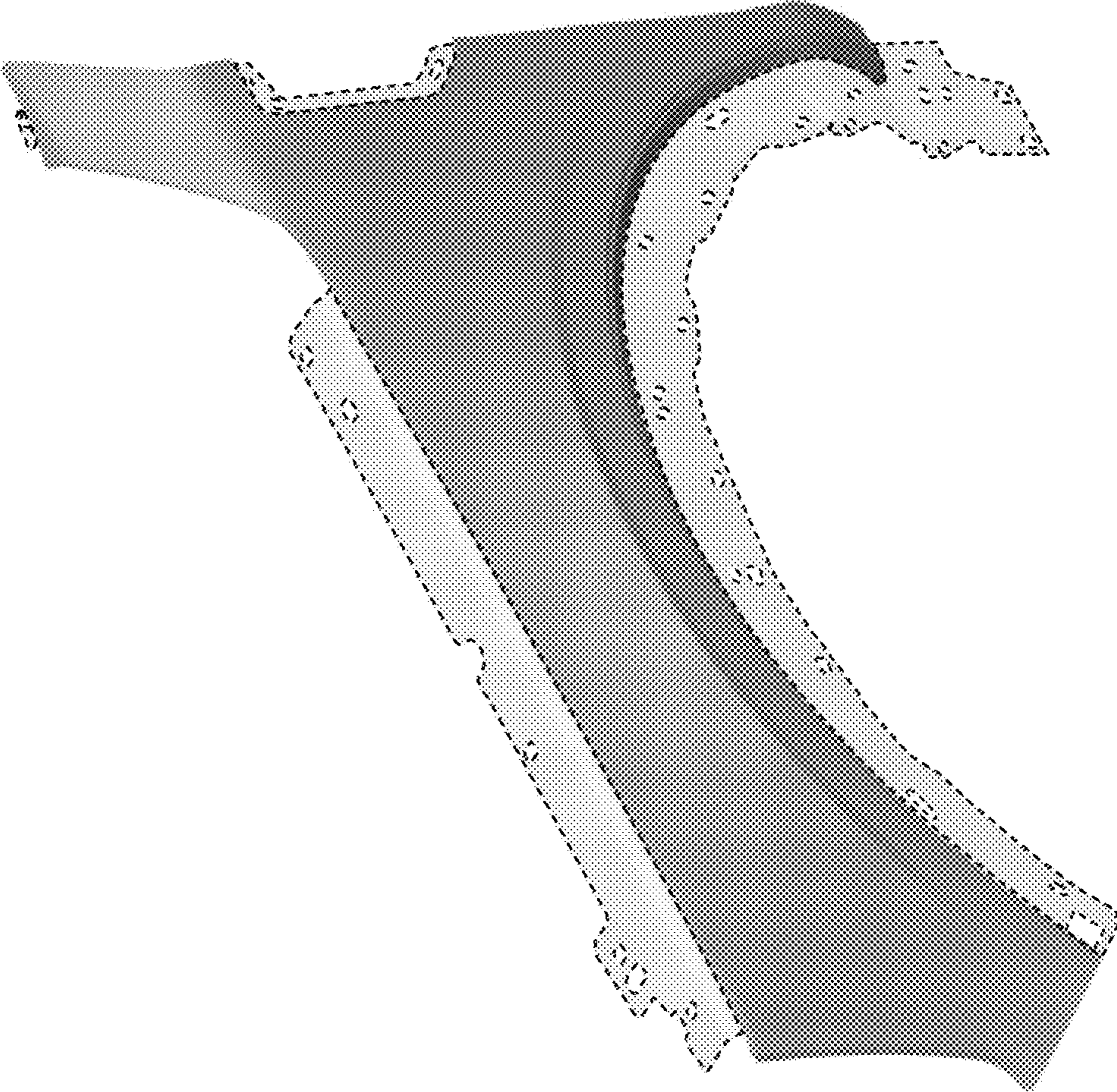


Fig.6

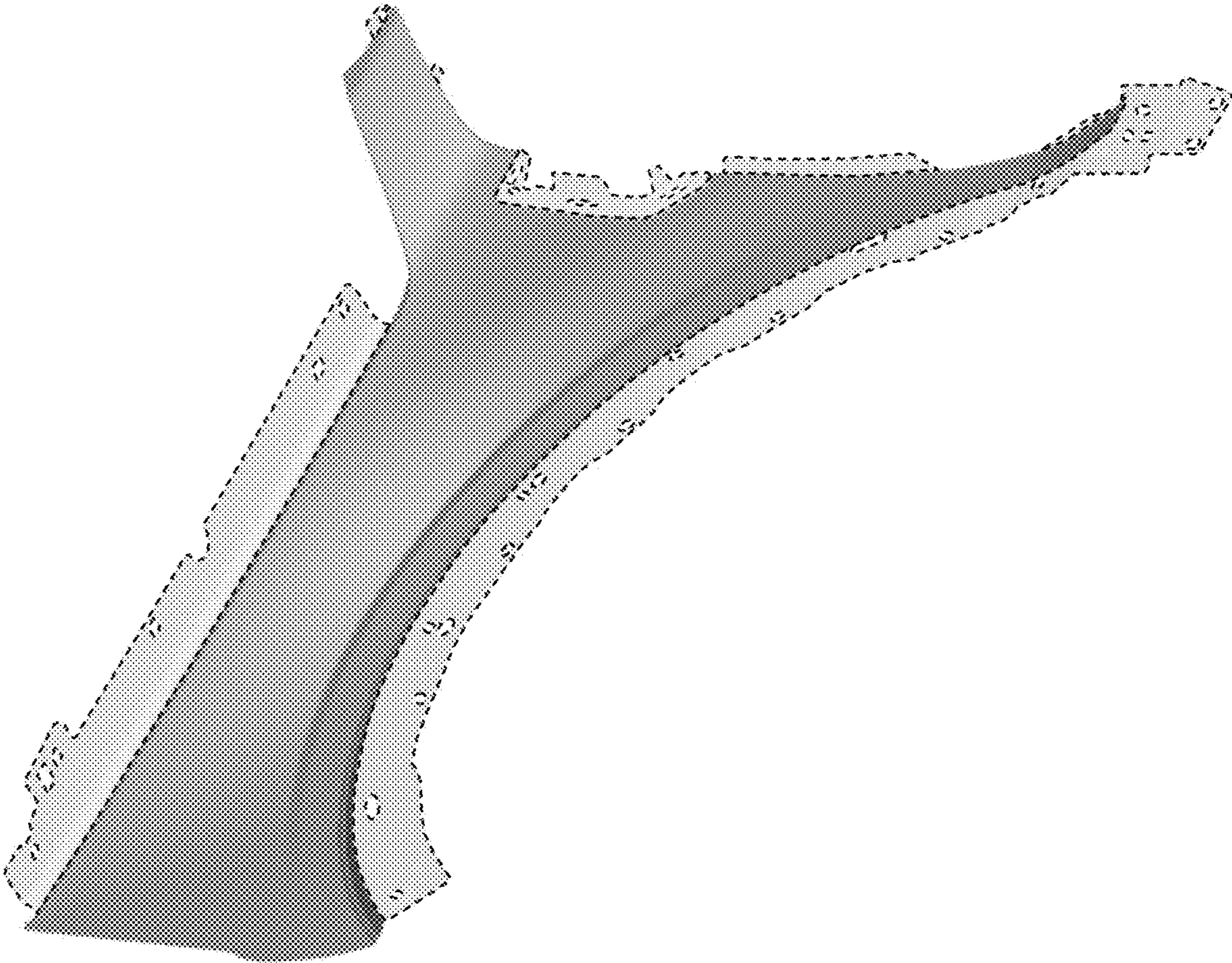


Fig. 7