



US00D919518S

(12) **United States Design Patent** (10) **Patent No.:** **US D919,518 S**
Sato et al. (45) **Date of Patent:** **** May 18, 2021**

(54) **RADIATOR GRILL FOR AN AUTOMOBILE**

(56) **References Cited**

(71) Applicant: **Hino Motors, Ltd.**, Tokyo (JP)

U.S. PATENT DOCUMENTS

(72) Inventors: **Jinichi Sato**, Hino (JP); **Hironari Yoda**, Hino (JP)

D725,004 S * 3/2015 Kobayashi D12/163
D889,332 S * 7/2020 Chi D12/171
D904,944 S * 12/2020 Higurashi D12/169

(73) Assignee: **HINO MOTORS, LTD.**, Tokyo (JP)

* cited by examiner

(**) Term: **15 Years**

Primary Examiner — George D. Kirschbaum

(21) Appl. No.: **35/508,864**

(74) *Attorney, Agent, or Firm* — Leydig, Voit & Mayer, Ltd.

(22) Filed: **Sep. 17, 2019**

(57) **CLAIM**

(80) **Hague Agreement Data**

The ornamental design for a radiator grill for an automobile, as shown and described.

Int. Filing Date: **Sep. 17, 2019**

Int. Reg. No.: **DM/204473**

Int. Reg. Date: **Sep. 17, 2019**

Int. Reg. Pub. Date: **Mar. 20, 2020**

DESCRIPTION

(30) **Foreign Application Priority Data**

Mar. 19, 2019 (JP) 2019-005860

(51) **LOC (13) Cl.** **12-16**

(52) **U.S. Cl.**
USPC **D12/171**

(58) **Field of Classification Search**
USPC D12/171, 169, 163, 170
See application file for complete search history.

1. Radiator grill for an automobile

1.1 : Front

1.2 : Rear view

1.3 : Top plan view

1.4 : Bottom

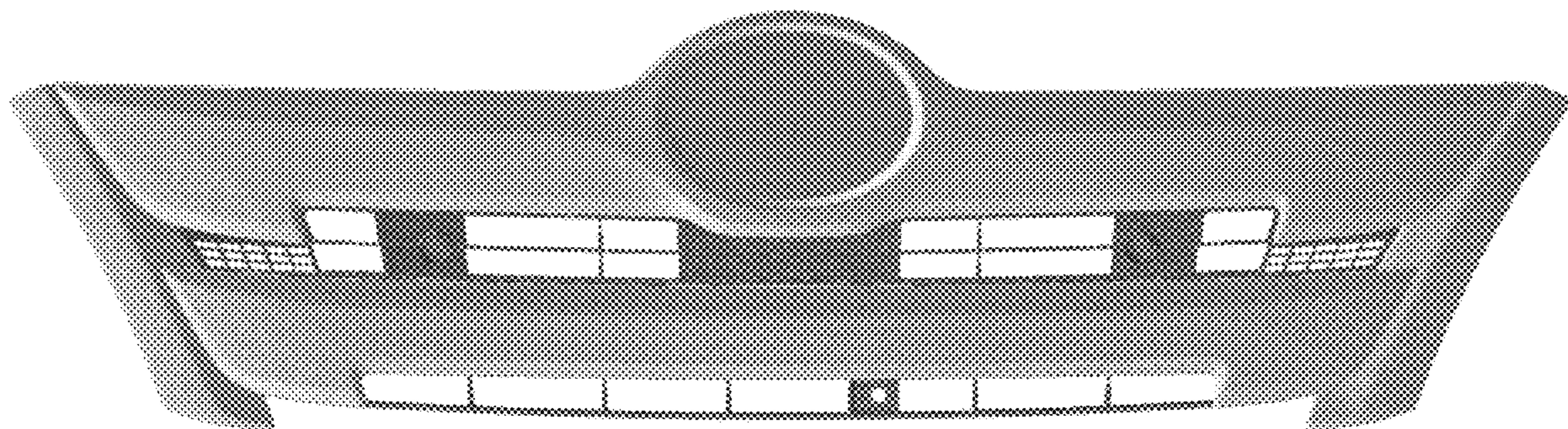
1.5 : Left side view

1.6 : Right side view

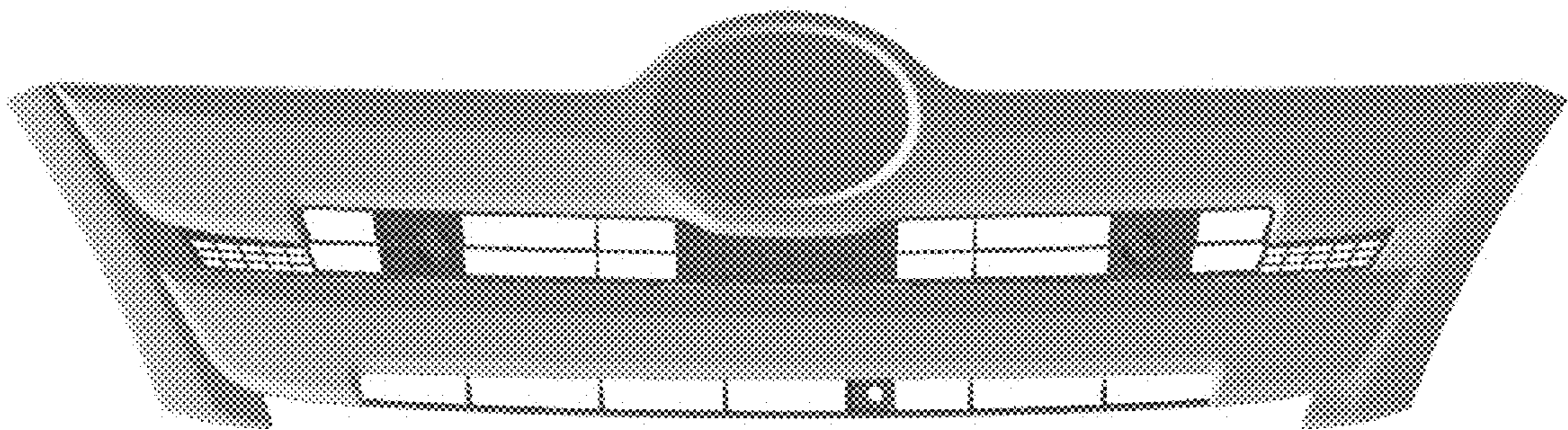
1.7 : Top perspective view

1.8 : Bottom perspective view

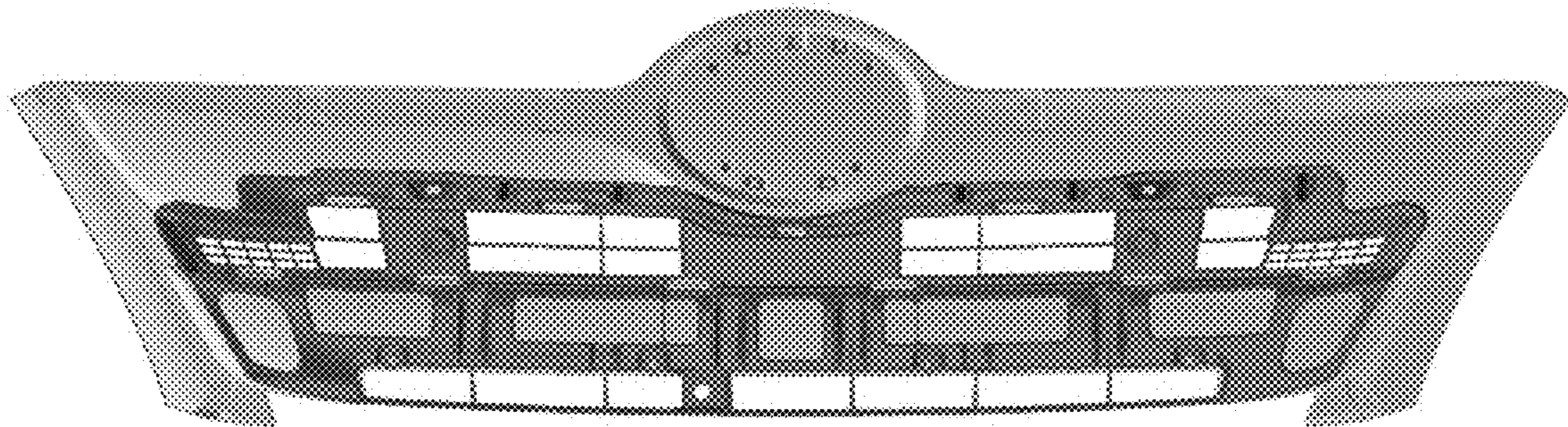
1 Claim, 8 Drawing Sheets



1.1



1.2



1.3



1.4



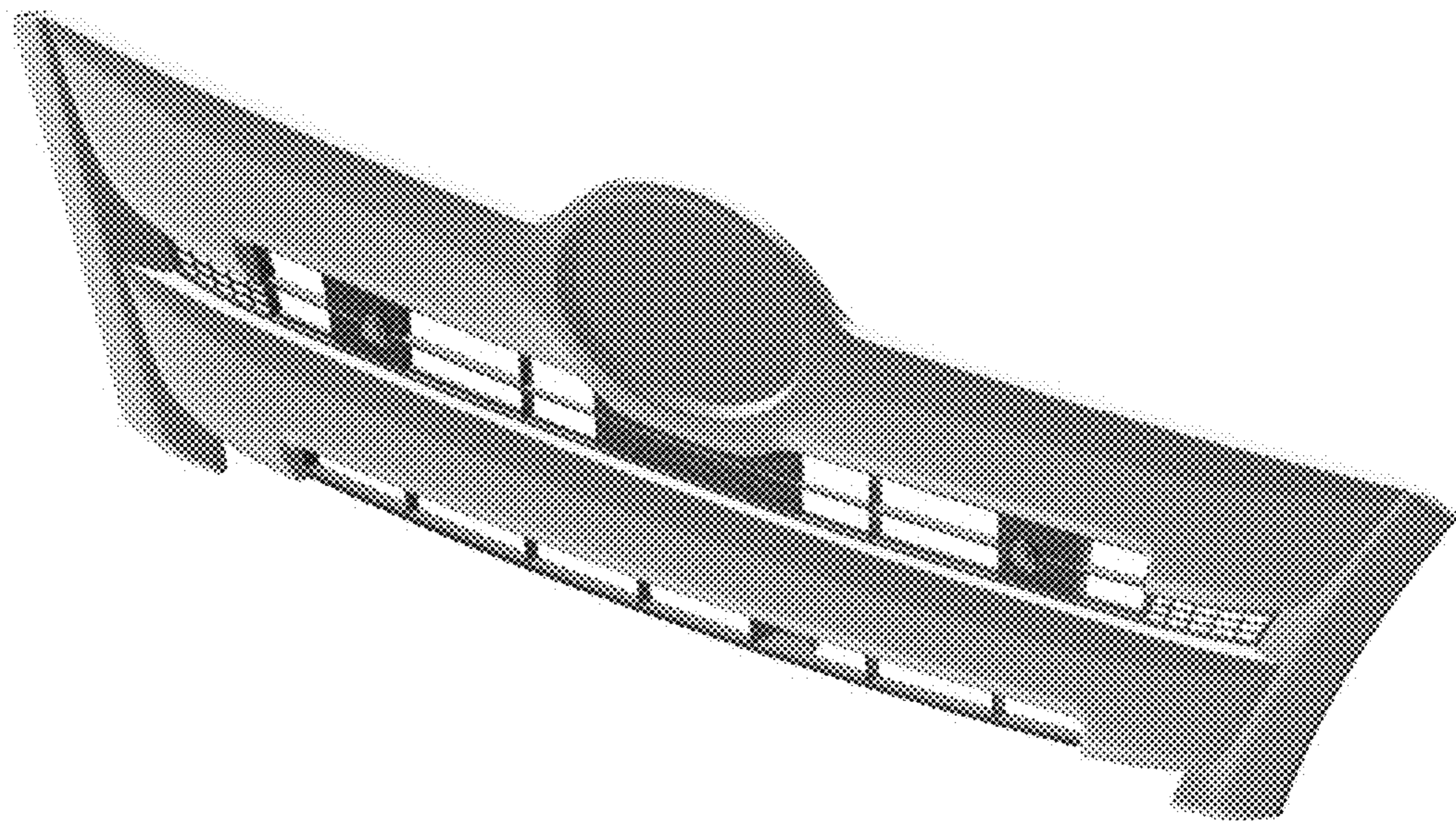
1.5



1.6



1.7



1.8

