



US00D919510S

(12) **United States Design Patent** (10) **Patent No.:** **US D919,510 S**  
**Piaskowski et al.** (45) **Date of Patent:** **\*\* May 18, 2021**

(54) **VEHICLE REAR UPPER BUMPER COVER**

(71) Applicant: **Ford Global Technologies, LLC**,  
Dearborn, MI (US)  
(72) Inventors: **Joel Piaskowski**, Birmingham, MI  
(US); **Gordon M. Platto**, Troy, MI  
(US); **Christopher G. Walter**, Traverse  
City, MI (US); **Colin R. Bonathan**,  
Dearborn, MI (US)

(73) Assignee: **Ford Global Technologies, LLC**,  
Dearborn, MI (US)

(\*\*) Term: **15 Years**

(21) Appl. No.: **29/708,938**

(22) Filed: **Oct. 10, 2019**

(51) **LOC (13) Cl.** ..... **12-16**

(52) **U.S. Cl.**  
USPC ..... **D12/169**

(58) **Field of Classification Search**  
USPC ..... D12/169, 163, 196, 86, 90-92;  
296/180.1, 180.2; 293/102, 115, 117, 120  
CPC ..... B60R 2019/25; B62D 25/084  
See application file for complete search history.

(56) **References Cited**

**U.S. PATENT DOCUMENTS**

|              |         |                  |         |
|--------------|---------|------------------|---------|
| D580,834 S   | 11/2008 | Saridakis et al. |         |
| D580,835 S   | 11/2008 | Saridakis et al. |         |
| D610,957 S * | 3/2010  | Bucher           | D12/169 |
| D669,830 S   | 10/2012 | Behmer et al.    |         |
| D678,144 S   | 3/2013  | Behmer et al.    |         |
| D678,147 S   | 3/2013  | Behmer et al.    |         |
| D714,196 S   | 9/2014  | Mays et al.      |         |
| D715,708 S   | 10/2014 | Mays et al.      |         |
| D725,010 S * | 3/2015  | Takei            | D12/169 |
| D782,373 S * | 3/2017  | Curic            | D12/169 |
| D792,291 S * | 7/2017  | Suga             | D12/169 |

|              |         |            |         |
|--------------|---------|------------|---------|
| D800,034 S * | 10/2017 | Kojima     | D12/169 |
| D802,500 S * | 11/2017 | Han        | D12/169 |
| D807,801 S * | 1/2018  | Piscitelli | D12/169 |
| D824,817 S * | 8/2018  | Morikawa   | D12/169 |
| D824,818 S * | 8/2018  | Morikawa   | D12/169 |
| D826,113 S * | 8/2018  | Kanai      | D12/169 |
| D838,638 S * | 1/2019  | Wada       | D12/169 |
| D840,883 S * | 2/2019  | Cartabiano | D12/169 |
| D841,537 S * | 2/2019  | Morikawa   | D12/169 |
| D853,905 S * | 7/2019  | Betancourt | D12/169 |
| D854,980 S * | 7/2019  | Bucher     | D12/169 |

(Continued)

**OTHER PUBLICATIONS**

Meghan Drummond, 2020 Mustang Hybrid, <https://www.cjponyparts.com/resources/2020-mustang-hybrid> Sep. 13, 2019.

(Continued)

*Primary Examiner* — Melody N Brown

(74) *Attorney, Agent, or Firm* — Michael Spenner

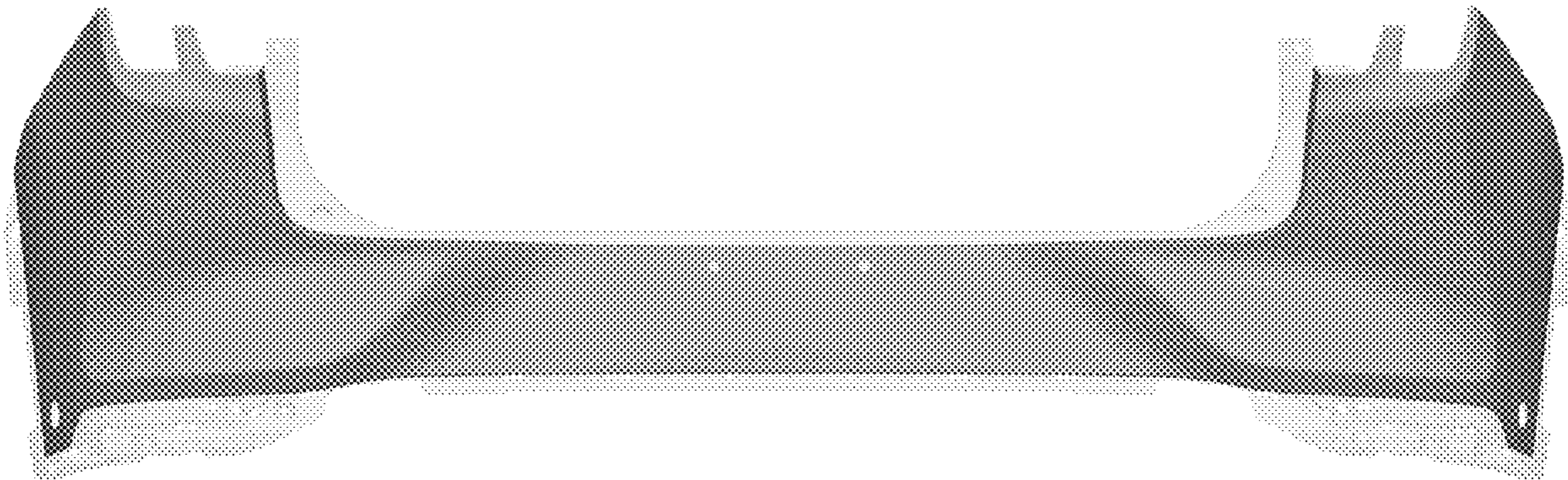
(57) **CLAIM**

The ornamental design for a vehicle rear upper bumper cover, as shown and described.

**DESCRIPTION**

FIG. 1 is a front elevational view of a vehicle rear upper bumper cover, showing our new design;  
FIG. 2 is a left side elevational view thereof;  
FIG. 3 is a right side elevational view thereof;  
FIG. 4 is a top plan view thereof;  
FIG. 5 is a bottom plan view thereof;  
FIG. 6 is a top, front and left side perspective view thereof;  
and,  
FIG. 7 is a bottom, front and left side perspective view thereof.  
The claimed design is indicated by the relatively dark portions in the figures. The de-emphasized and relatively light portions form no part of the claimed design.

**1 Claim, 7 Drawing Sheets**



(56)

**References Cited**

U.S. PATENT DOCUMENTS

D865,583 S \* 11/2019 Burki ..... D12/169  
D866,418 S \* 11/2019 Peplowski ..... D12/169  
D867,234 S \* 11/2019 Peplowski ..... D12/169  
D909,930 S \* 2/2021 Patel ..... D12/169

OTHER PUBLICATIONS

Andrew Krok, Ford's 'Mustang-inspired' electric SUV: Everything we know, <https://www.cnet.com/roadshow/news/ford-mustang-inspired-electric-sub-details-rumors> Oct. 2, 2019.

Ford News Clips—Briefing, Ford's EV Strategy takes Shape in Search for Popularity and Profit, Sep. 3, 2019.

\* cited by examiner

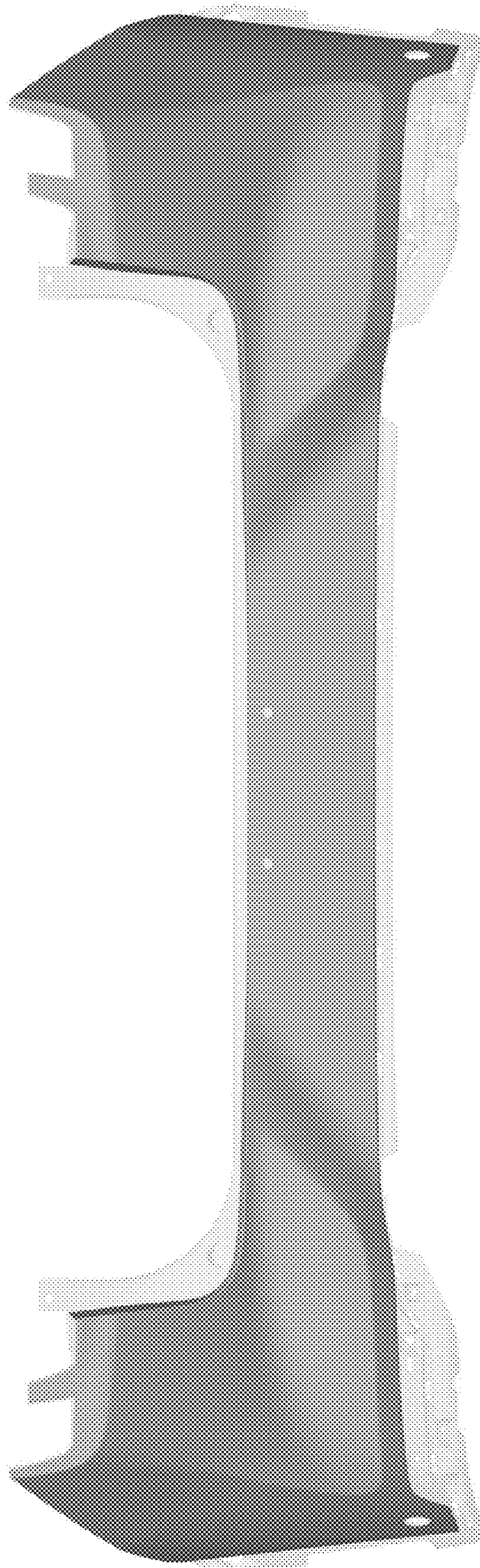


Fig. 1

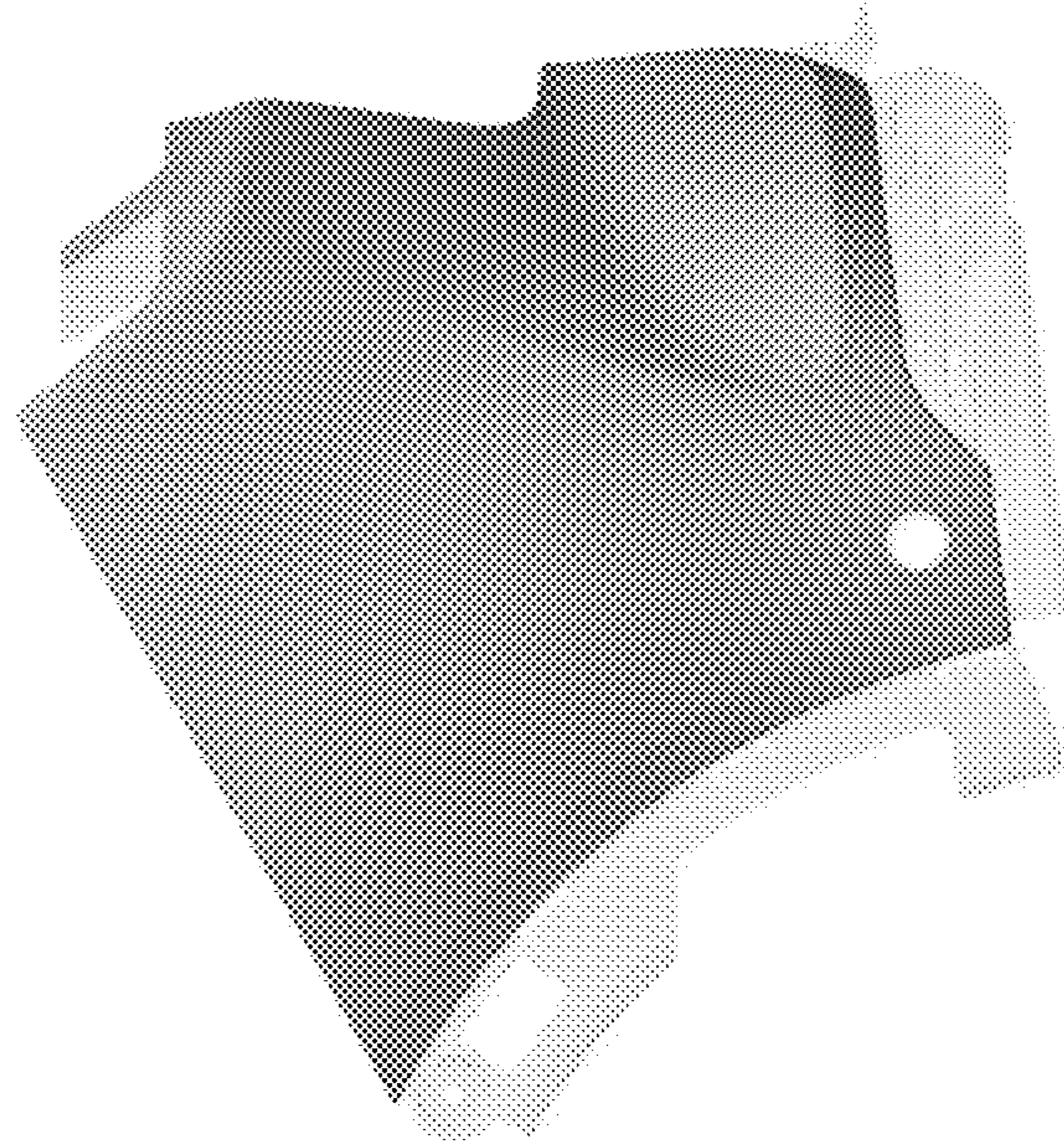


Fig. 2

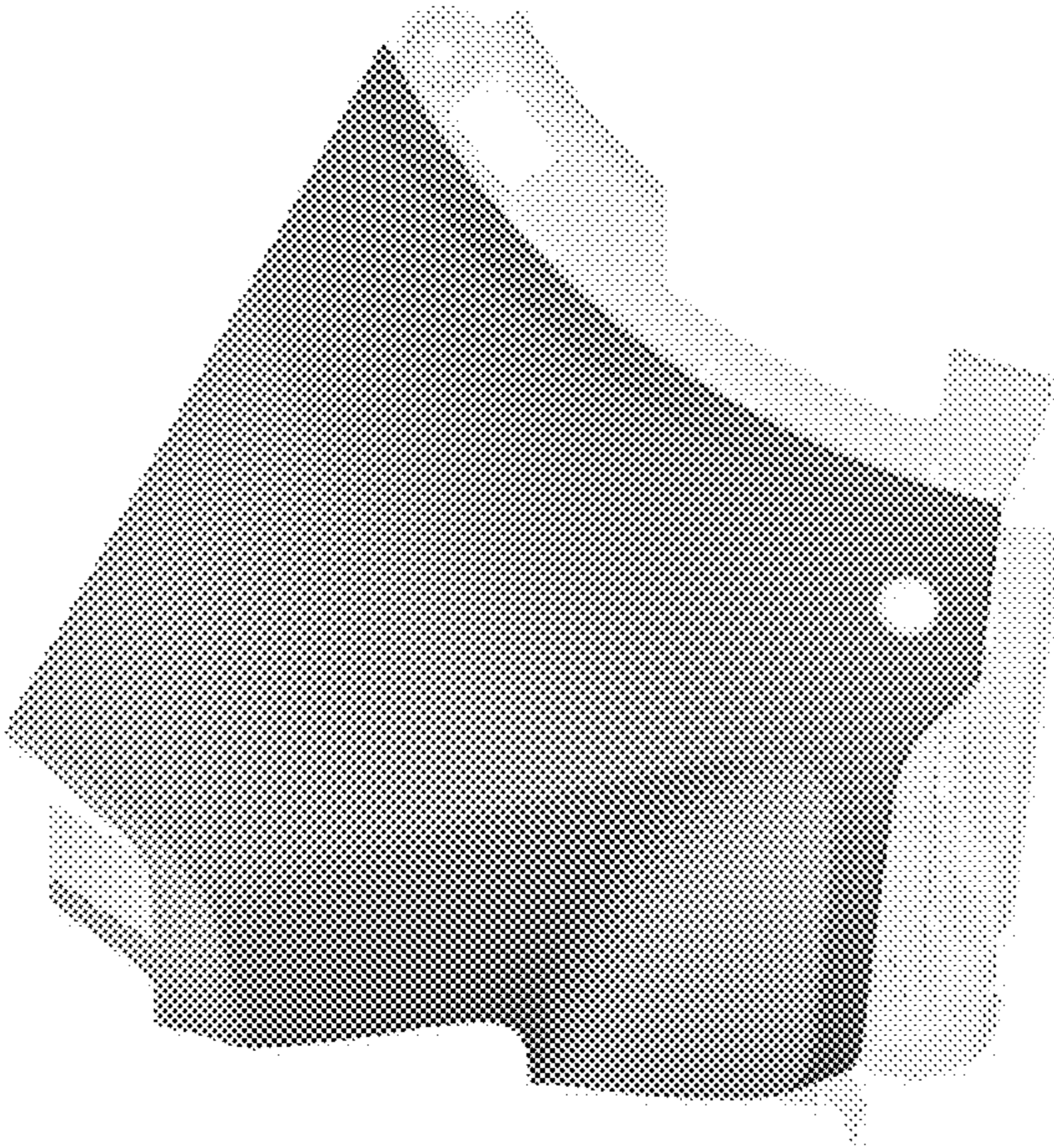


Fig. 3

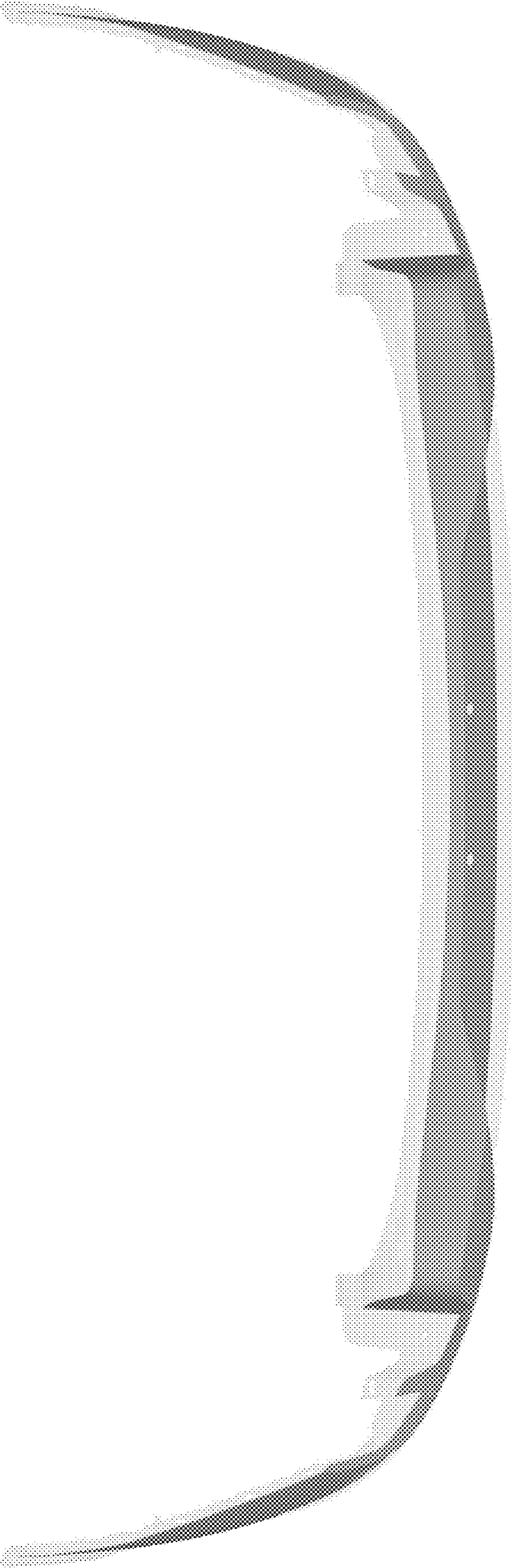
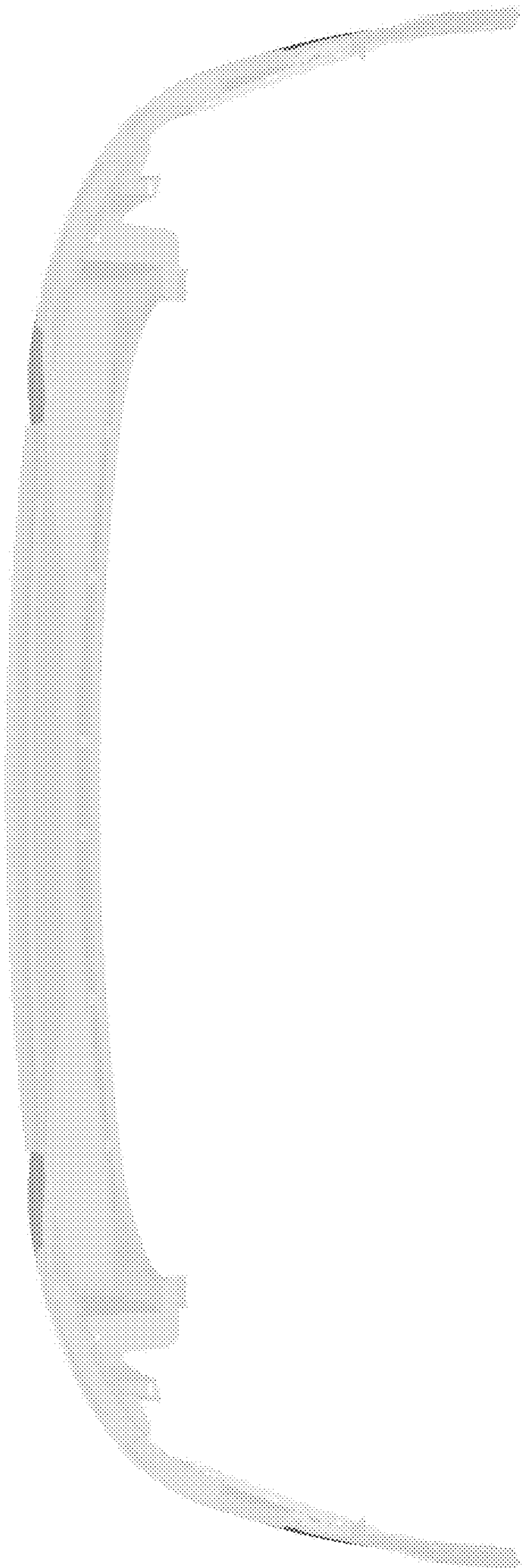


Fig.4

Fig. 5



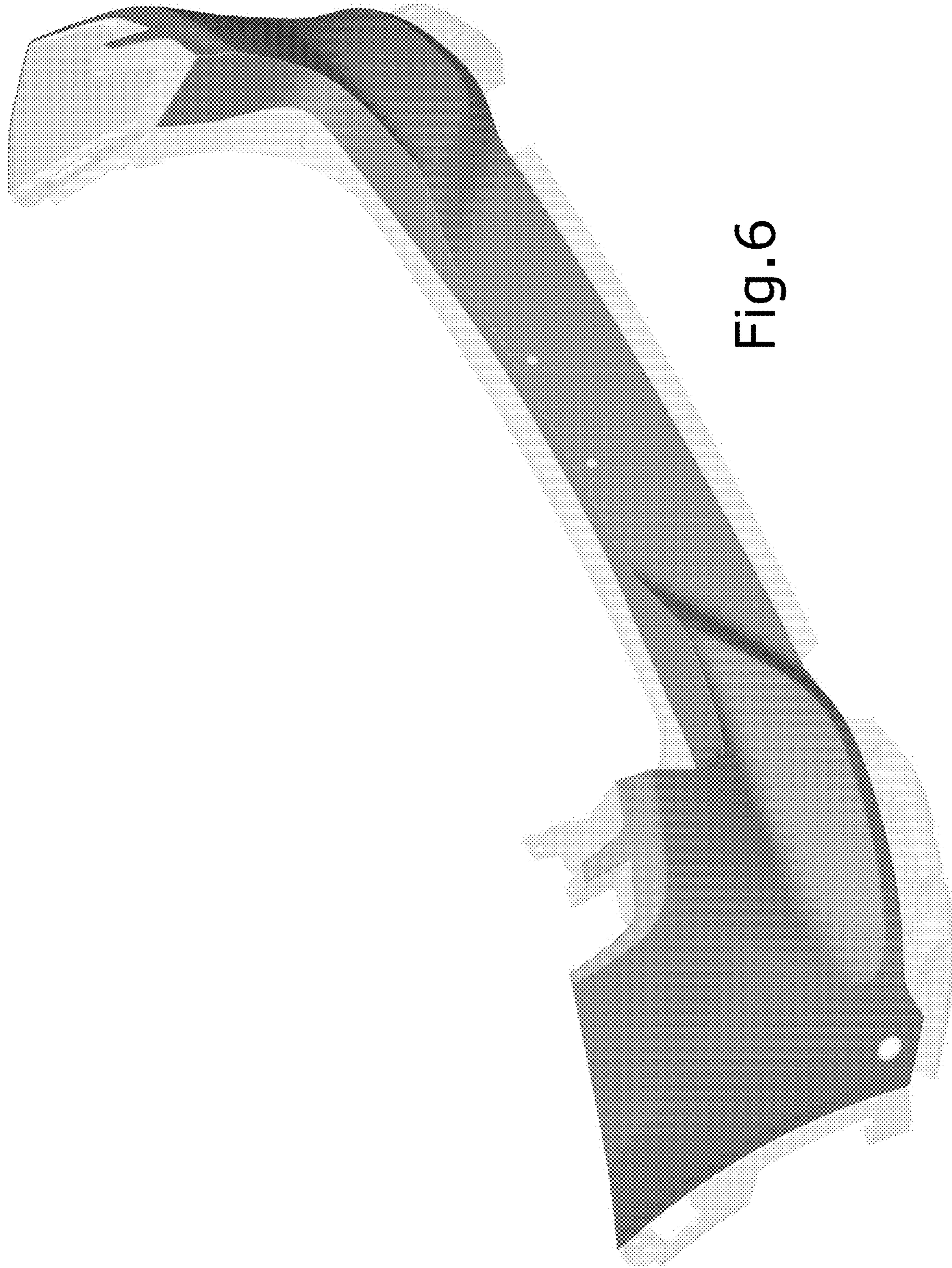


Fig. 6



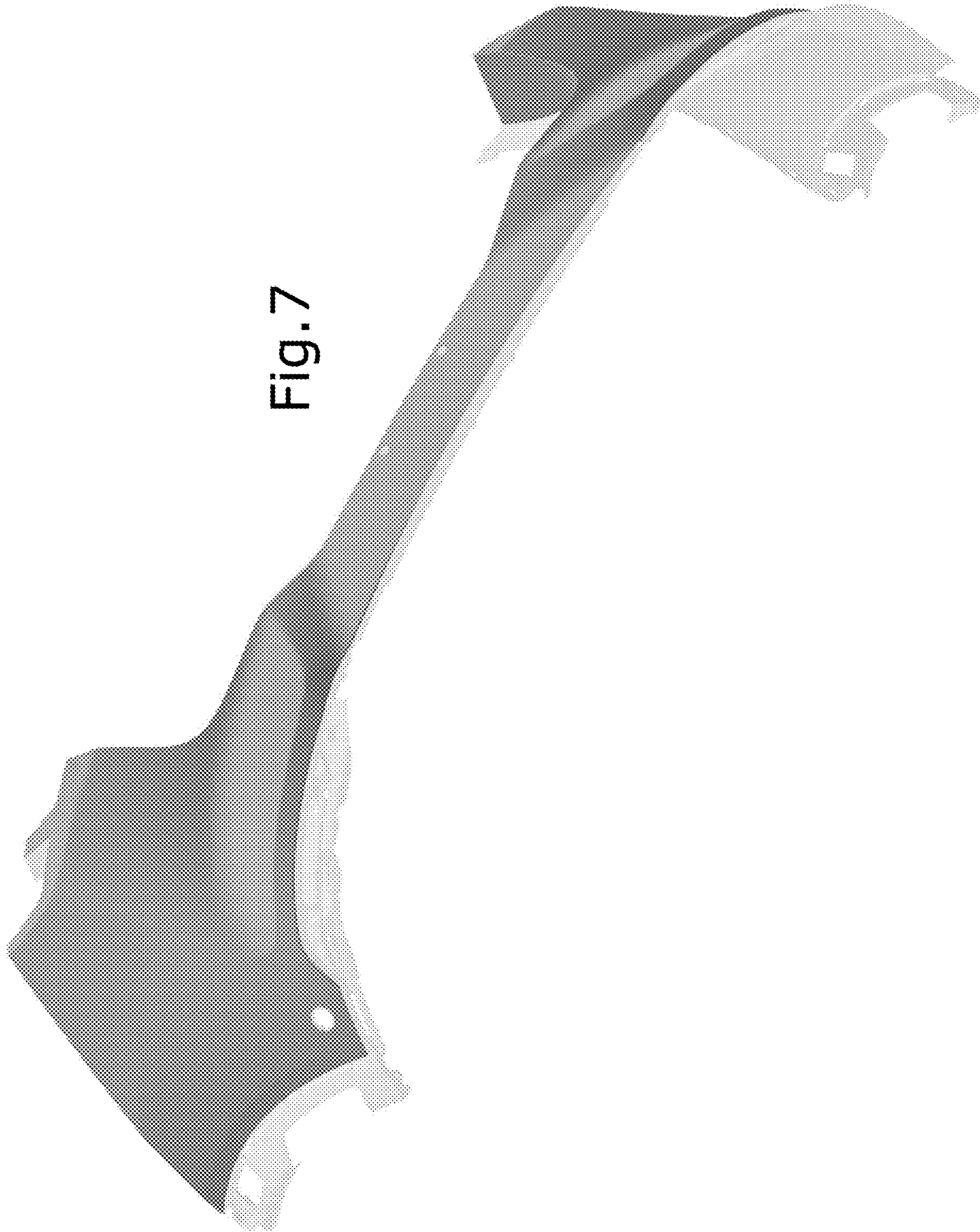


Fig. 7