



US00D919503S

(12) **United States Design Patent** (10) **Patent No.:** **US D919,503 S**
Ponomarenko (45) **Date of Patent:** **** May 18, 2021**

- (54) **VEHICLE FRONT BUMPER**
- (71) Applicant: **GM GLOBAL TECHNOLOGY OPERATIONS LLC**, Detroit, MI (US)
- (72) Inventor: **Kirill Ponomarenko**, Berkley, MI (US)
- (73) Assignee: **GM GLOBAL TECHNOLOGY OPERATIONS LLC**, Detroit, MI (US)
- (**) Term: **15 Years**
- (21) Appl. No.: **29/705,282**
- (22) Filed: **Sep. 11, 2019**
- (51) **LOC (13) Cl.** **12-16**
- (52) **U.S. Cl.**
USPC **D12/169**
- (58) **Field of Classification Search**
USPC D12/169, 163, 196, 86, 90-92;
296/180.1, 180.2; 293/102, 115, 117, 120
CPC B60R 2019/25; B62D 25/084
See application file for complete search history.

- D609,608 S 2/2010 Boniface et al.
- D611,387 S 3/2010 Thompson et al.
- D611,879 S 3/2010 Kim et al.
- D612,297 S 3/2010 Peters et al.
- D613,645 S 4/2010 Song et al.
- D615,458 S 5/2010 Thompson et al.
- D618,595 S 6/2010 Ware et al.
- D623,090 S 9/2010 Cox et al.
- D627,262 S 11/2010 Ikeda et al.
- D635,488 S 4/2011 Phipps
- D644,147 S 8/2011 Suh et al.
- D644,567 S 9/2011 Kozub
- D657,718 S 4/2012 Zipfel et al.
- D659,052 S 5/2012 Ware et al.
- D659,053 S 5/2012 Ware et al.
- D668,182 S 10/2012 Barba Franco et al.
- D668,183 S 10/2012 Smart
- D678,820 S 3/2013 Son et al.
- D678,821 S 3/2013 Ikeda et al.
- D680,909 S 4/2013 Munson et al.
- D680,910 S 4/2013 David
- D684,899 S 6/2013 Baker
- D686,536 S 7/2013 McCabe et al.
- D692,798 S 11/2013 Thurber

(Continued)

Primary Examiner — Melody N Brown

(56) **References Cited**
U.S. PATENT DOCUMENTS

- D570,742 S 6/2008 Takagi et al.
- D592,105 S 5/2009 Dean et al.
- D597,447 S 8/2009 Folden
- D600,595 S 9/2009 Nakamura et al.
- D601,925 S 10/2009 O'Donnell
- D603,755 S 11/2009 Peters
- D604,203 S 11/2009 O'Donnell
- D605,082 S 12/2009 Munson
- D605,083 S 12/2009 Manoogian, II et al.
- D605,977 S 12/2009 Zipfel et al.
- D605,978 S 12/2009 Wolff et al.
- D608,249 S 1/2010 Peters
- D608,690 S 1/2010 Folden et al.
- D608,691 S 1/2010 Zak, Jr. et al.

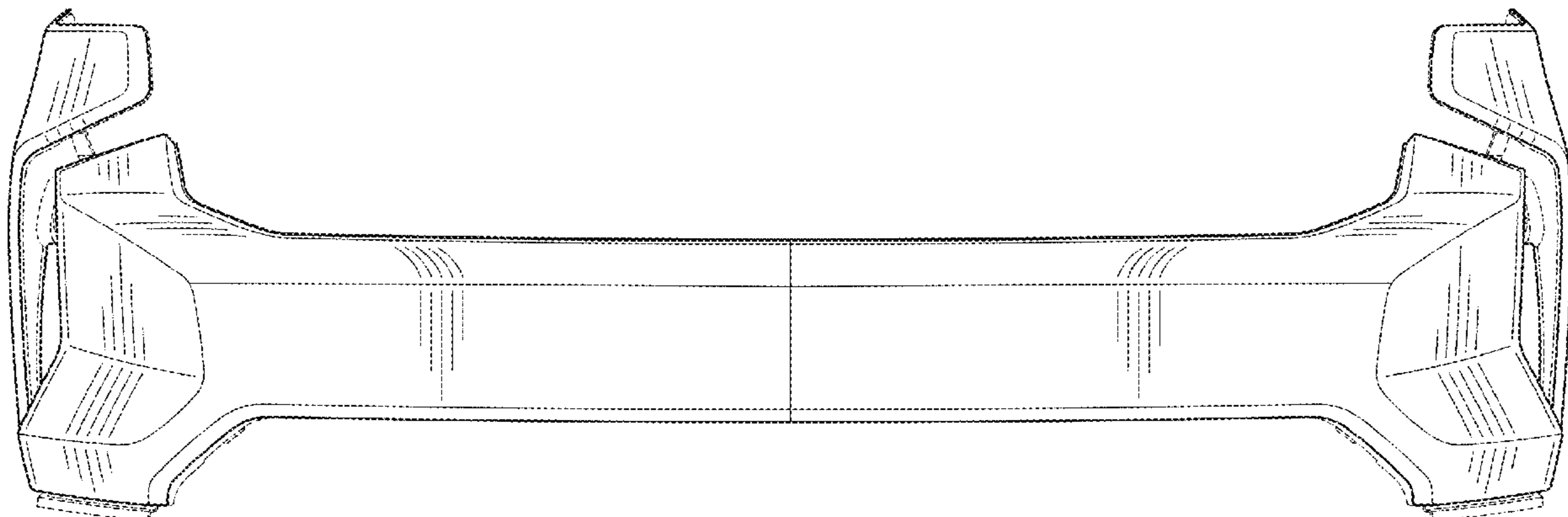
(57) **CLAIM**

The ornamental design for a vehicle front bumper, as shown and described.

DESCRIPTION

FIG. 1 is a front and left side perspective view of a vehicle front bumper showing my new design;
 FIG. 2 is a front elevation view thereof;
 FIG. 3 is a left side elevation view thereof;
 FIG. 4 is a right side elevation; and,
 FIG. 5 is a top plan view thereof.
 The broken lines in the drawings depict portions of the vehicle front bumper that form no part of the claimed design.

1 Claim, 5 Drawing Sheets



(56)

References Cited

U.S. PATENT DOCUMENTS

| | | | | | |
|------------|---------|------------------|------------|---------|-----------------|
| D692,799 S | 11/2013 | Smith et al. | D756,869 S | 5/2016 | McMahan et al. |
| D696,157 S | 12/2013 | Loeb | D758,271 S | 6/2016 | McMahan et al. |
| D699,629 S | 2/2014 | Ikeda et al. | D764,975 S | 8/2016 | Aengenheyster |
| D700,871 S | 3/2014 | O'Donnell et al. | D764,976 S | 8/2016 | Aengenheyster |
| D703,103 S | 4/2014 | Lee | D767,449 S | 9/2016 | Pevovar et al. |
| D704,103 S | 5/2014 | Mack et al. | D767,450 S | 9/2016 | Lee et al. |
| D705,132 S | 5/2014 | Ware et al. | D767,451 S | 9/2016 | Kozub et al. |
| D705,699 S | 5/2014 | Ware et al. | D767,454 S | 9/2016 | McMahan et al. |
| D713,298 S | 9/2014 | Dyson | D767,458 S | 9/2016 | Kim |
| D713,764 S | 9/2014 | Ferlazzo et al. | D767,459 S | 9/2016 | Kim |
| D716,696 S | 11/2014 | Thole et al. | D767,460 S | 9/2016 | Kozub et al. |
| D716,706 S | 11/2014 | Thole et al. | D767,461 S | 9/2016 | Kozub et al. |
| D716,709 S | 11/2014 | Thole et al. | D771,528 S | 11/2016 | Smith et al. |
| D717,696 S | 11/2014 | Thole et al. | D771,529 S | 11/2016 | Thole et al. |
| D718,189 S | 11/2014 | Krieg et al. | D771,532 S | 11/2016 | Kapitonov |
| D718,683 S | 12/2014 | Thole et al. | D771,533 S | 11/2016 | Kapitonov |
| D722,282 S | 2/2015 | Loeb | D772,766 S | 11/2016 | Kozub et al. |
| D722,533 S | 2/2015 | Thole et al. | D772,767 S | 11/2016 | Kim |
| D722,534 S | 2/2015 | Munson et al. | D773,084 S | 11/2016 | Kapitonov |
| D724,510 S | 3/2015 | McMahan et al. | D773,086 S | 11/2016 | McCabe et al. |
| D725,001 S | 3/2015 | McMahan et al. | D774,226 S | 12/2016 | McCabe et al. |
| D726,591 S | 4/2015 | Jacob | D775,003 S | 12/2016 | Pevovar et al. |
| D730,776 S | 6/2015 | Smart | D775,007 S | 12/2016 | Thole et al. |
| D730,783 S | 6/2015 | Henriques et al. | D775,010 S | 12/2016 | Kim et al. |
| D732,427 S | 6/2015 | Loeb | D775,049 S | 12/2016 | Scheer et al. |
| D732,429 S | 6/2015 | Loeb | D775,549 S | 1/2017 | Karras |
| D732,430 S | 6/2015 | Loeb | D775,554 S | 1/2017 | Kapitonov |
| D732,431 S | 6/2015 | Loeb | D776,020 S | 1/2017 | Kapitonov |
| D732,432 S | 6/2015 | Aengenheyster | D776,581 S | 1/2017 | Pevovar et al. |
| D732,433 S | 6/2015 | Aengenheyster | D776,583 S | 1/2017 | Scheer et al. |
| D732,435 S | 6/2015 | Mackay | D776,841 S | 1/2017 | Kozub et al. |
| D733,002 S | 6/2015 | Loeb | D776,843 S | 1/2017 | McCabe et al. |
| D735,611 S | 8/2015 | Aengenheyster | D776,846 S | 1/2017 | Willett et al. |
| D735,627 S | 8/2015 | Smith | D777,359 S | 1/2017 | Kozub et al. |
| D736,451 S | 8/2015 | Smith | D777,360 S | 1/2017 | Kozub et al. |
| D739,306 S | 9/2015 | McMahan et al. | D777,361 S | 1/2017 | Kozub et al. |
| D739,317 S | 9/2015 | McMahan et al. | D777,604 S | 1/2017 | McNerney |
| D741,223 S | 10/2015 | Kim et al. | D777,605 S | 1/2017 | Ferlazzo et al. |
| D743,309 S | 11/2015 | Thole et al. | D777,620 S | 1/2017 | Pevovar et al. |
| D743,313 S | 11/2015 | Smith et al. | D777,621 S | 1/2017 | Kim |
| D743,314 S | 11/2015 | Thole et al. | D777,622 S | 1/2017 | Kozub et al. |
| D743,857 S | 11/2015 | McMahan et al. | D777,628 S | 1/2017 | Kozub et al. |
| D744,158 S | 11/2015 | Willett et al. | D777,955 S | 1/2017 | Willett et al. |
| D745,086 S | 12/2015 | Finos et al. | D778,212 S | 2/2017 | Kozub et al. |
| D745,719 S | 12/2015 | Boniface et al. | D778,215 S | 2/2017 | Kozub et al. |
| D745,725 S | 12/2015 | McMahan et al. | D780,064 S | 2/2017 | Smith et al. |
| D745,726 S | 12/2015 | McMahan et al. | D780,067 S | 2/2017 | Zipfel et al. |
| D745,837 S | 12/2015 | Smith et al. | D780,068 S | 2/2017 | Whitla et al. |
| D746,726 S | 1/2016 | Smith et al. | D780,077 S | 2/2017 | Kim et al. |
| D746,727 S | 1/2016 | Smith et al. | D780,081 S | 2/2017 | Lee |
| D746,728 S | 1/2016 | Smith et al. | D780,084 S | 2/2017 | Scheer et al. |
| D746,729 S | 1/2016 | Boniface et al. | D780,631 S | 3/2017 | Kozub et al. |
| D746,730 S | 1/2016 | Kim et al. | D780,644 S | 3/2017 | Kim et al. |
| D747,514 S | 1/2016 | McMahan et al. | D781,184 S | 3/2017 | Thole et al. |
| D747,515 S | 1/2016 | McMahan et al. | D781,192 S | 3/2017 | Kozub et al. |
| D747,819 S | 1/2016 | Thole et al. | D782,379 S | 3/2017 | Wassell |
| D749,021 S | 2/2016 | Boniface et al. | D783,482 S | 4/2017 | Smith et al. |
| D749,026 S | 2/2016 | Smith et al. | D784,213 S | 4/2017 | Karras |
| D749,027 S | 2/2016 | McMahan et al. | D784,223 S | 4/2017 | Lee |
| D749,246 S | 2/2016 | Thole et al. | D784,226 S | 4/2017 | Cheng |
| D749,249 S | 2/2016 | Thole et al. | D784,579 S | 4/2017 | Cheng et al. |
| D749,250 S | 2/2016 | Thole et al. | D784,877 S | 4/2017 | Lee |
| D749,985 S | 2/2016 | Kozub et al. | D784,886 S | 4/2017 | Smith et al. |
| D749,997 S | 2/2016 | McMahan et al. | D785,521 S | 5/2017 | Smith et al. |
| D750,001 S | 2/2016 | Thole et al. | D786,149 S | 5/2017 | Pevovar et al. |
| D753,032 S | 4/2016 | Smith et al. | D786,743 S | 5/2017 | Smith et al. |
| D753,033 S | 4/2016 | Thole et al. | D786,750 S | 5/2017 | Lee |
| D753,034 S | 4/2016 | Thole et al. | D787,446 S | 5/2017 | Cockerill |
| D753,035 S | 4/2016 | Boniface et al. | D787,984 S | 5/2017 | Fang |
| D753,559 S | 4/2016 | McMahan et al. | D787,988 S | 5/2017 | Lee |
| D753,560 S | 4/2016 | McMahan et al. | D787,989 S | 5/2017 | Kozub et al. |
| D753,567 S | 4/2016 | Boniface et al. | D787,990 S | 5/2017 | Kozub et al. |
| D754,571 S | 4/2016 | Boniface et al. | D787,992 S | 5/2017 | Lee |
| D754,572 S | 4/2016 | McMahan et al. | D787,993 S | 5/2017 | McCabe et al. |
| D755,088 S | 5/2016 | McMahan et al. | D788,001 S | 5/2017 | Lee |
| | | | D788,641 S | 6/2017 | Arnold |
| | | | D788,644 S | 6/2017 | Mueller |
| | | | D788,645 S | 6/2017 | Mueller |
| | | | D789,250 S | 6/2017 | Arnold |

(56)

References Cited

U.S. PATENT DOCUMENTS

| | | | | | |
|------------|---------|----------------|------------|---------|-----------------|
| D789,260 S | 6/2017 | Smith | D805,441 S | 12/2017 | Karras |
| D789,575 S | 6/2017 | Willett | D805,964 S | 12/2017 | Whitla |
| D789,841 S | 6/2017 | Lee | D805,965 S | 12/2017 | Davis |
| D789,849 S | 6/2017 | Lee | D805,966 S | 12/2017 | Perkins |
| D791,018 S | 7/2017 | Mylenek | D805,985 S | 12/2017 | Nakamura |
| D791,644 S | 7/2017 | Fang | D807,232 S | 1/2018 | Bailie |
| D792,290 S | 7/2017 | Smith et al. | D807,239 S | 1/2018 | Perkins |
| D792,293 S | 7/2017 | McCabe et al. | D807,240 S | 1/2018 | Perkins |
| D792,294 S | 7/2017 | McCabe et al. | D807,241 S | 1/2018 | Perkins |
| D792,295 S | 7/2017 | McCabe et al. | D809,442 S | 2/2018 | Zipfel et al. |
| D792,815 S | 7/2017 | Kozub | D811,269 S | 2/2018 | Thompson et al. |
| D792,816 S | 7/2017 | Kozub | D811,942 S | 3/2018 | Jacob |
| D793,290 S | 8/2017 | Kozub | D811,957 S | 3/2018 | Whitla et al. |
| D793,292 S | 8/2017 | Lee | D811,958 S | 3/2018 | Zipfel et al. |
| D793,293 S | 8/2017 | Lee et al. | D811,959 S | 3/2018 | Perkins |
| D793,294 S | 8/2017 | Lee | D811,960 S | 3/2018 | Nakamura |
| D793,295 S | 8/2017 | McCabe et al. | D811,961 S | 3/2018 | Sullivan |
| D793,296 S | 8/2017 | Smith et al. | D811,962 S | 3/2018 | Sullivan |
| D793,297 S | 8/2017 | Smith et al. | D811,963 S | 3/2018 | Sullivan |
| D793,299 S | 8/2017 | Kreig et al. | D811,964 S | 3/2018 | Perkins |
| D793,300 S | 8/2017 | Kreig et al. | D811,965 S | 3/2018 | Moffett et al. |
| D793,301 S | 8/2017 | Kozub | D812,525 S | 3/2018 | Lee |
| D793,302 S | 8/2017 | Kozub | D812,526 S | 3/2018 | Zipfel et al. |
| D793,311 S | 8/2017 | Whitla et al. | D812,527 S | 3/2018 | Perkins |
| D793,590 S | 8/2017 | Kozub et al. | D812,528 S | 3/2018 | Nakamura |
| D793,591 S | 8/2017 | Kozub et al. | D813,098 S | 3/2018 | Thompson et al. |
| D793,917 S | 8/2017 | Kozub | D813,109 S | 3/2018 | Zipfel et al. |
| D793,918 S | 8/2017 | Kozub | D813,110 S | 3/2018 | Whitla et al. |
| D794,229 S | 8/2017 | Barry | D813,111 S | 3/2018 | Sullivan |
| D794,230 S | 8/2017 | Kozub | D813,116 S | 3/2018 | Park |
| D795,747 S | 8/2017 | Bailie | D813,117 S | 3/2018 | Sullivan |
| D795,757 S | 8/2017 | Pevovar et al. | D813,121 S | 3/2018 | Swanseger |
| D795,758 S | 8/2017 | Karras | D813,730 S | 3/2018 | Zipfel et al. |
| D795,759 S | 8/2017 | Kozub et al. | D813,731 S | 3/2018 | McMahan |
| D795,760 S | 8/2017 | Kozub et al. | D813,732 S | 3/2018 | Whitla et al. |
| D795,762 S | 8/2017 | Lee | D813,733 S | 3/2018 | Lee |
| D795,763 S | 8/2017 | Kozub | D813,734 S | 3/2018 | Nakamura |
| D796,088 S | 8/2017 | McCabe et al. | D813,740 S | 3/2018 | Park |
| D796,093 S | 8/2017 | Mainville | D813,741 S | 3/2018 | Perkins |
| D796,390 S | 9/2017 | Pevovar et al. | D813,742 S | 3/2018 | McMahan et al. |
| D797,537 S | 9/2017 | Cooper et al. | D813,743 S | 3/2018 | Lee |
| D797,603 S | 9/2017 | Noone et al. | D813,744 S | 3/2018 | Whitla et al. |
| D797,614 S | 9/2017 | Lee | D813,748 S | 3/2018 | Kim |
| D797,616 S | 9/2017 | Lee | D813,753 S | 3/2018 | Loeb |
| D797,624 S | 9/2017 | Nakamura | D813,754 S | 3/2018 | Loeb |
| D797,625 S | 9/2017 | Perkins | D813,755 S | 3/2018 | Loeb |
| D797,631 S | 9/2017 | Pevovar et al. | D813,756 S | 3/2018 | Loeb |
| D797,632 S | 9/2017 | Zipfel et al. | D813,757 S | 3/2018 | Kozub |
| D797,967 S | 9/2017 | Barry | D813,758 S | 3/2018 | Gonzales |
| D797,970 S | 9/2017 | Mainville | D813,759 S | 3/2018 | Perkins |
| D797,971 S | 9/2017 | Mainville | D814,369 S | 4/2018 | Loeb |
| D797,972 S | 9/2017 | Whitla et al. | D814,982 S | 4/2018 | Whitla et al. |
| D798,204 S | 9/2017 | Mainville | D814,983 S | 4/2018 | Whitla et al. |
| D799,384 S | 10/2017 | Kozub et al. | D815,570 S | 4/2018 | McMahan et al. |
| D799,385 S | 10/2017 | Kozub et al. | D815,572 S | 4/2018 | Perkins |
| D799,386 S | 10/2017 | Kozub et al. | D815,573 S | 4/2018 | Whitla et al. |
| D799,728 S | 10/2017 | Whitla et al. | D815,574 S | 4/2018 | Mainville |
| D801,236 S | 10/2017 | Kozub et al. | D815,985 S | 4/2018 | Mueller |
| D801,577 S | 10/2017 | Ruiz | D815,993 S | 4/2018 | Kozub et al. |
| D801,882 S | 11/2017 | Kozub et al. | D815,994 S | 4/2018 | Nakamura |
| D802,205 S | 11/2017 | Ruiz | D816,003 S | 4/2018 | Perkins |
| D802,478 S | 11/2017 | Perkins | D816,558 S | 5/2018 | McMahan et al. |
| D802,491 S | 11/2017 | Mainville | D816,559 S | 5/2018 | McMahan et al. |
| D802,496 S | 11/2017 | Mainville | D816,561 S | 5/2018 | McMahan |
| D802,502 S | 11/2017 | McMahan | D816,562 S | 5/2018 | Whitla et al. |
| D803,727 S | 11/2017 | Noone et al. | D816,563 S | 5/2018 | McMahan et al. |
| D803,731 S | 11/2017 | Zipfel | D816,564 S | 5/2018 | Kim |
| D804,370 S | 12/2017 | Kozub et al. | D816,565 S | 5/2018 | Kim |
| D804,371 S | 12/2017 | Whitla et al. | D816,566 S | 5/2018 | Loeb |
| D804,372 S | 12/2017 | Kozub | D817,836 S | 5/2018 | McMahan et al. |
| D804,378 S | 12/2017 | Perkins | D818,156 S | 5/2018 | Kim et al. |
| D804,379 S | 12/2017 | McMahan | D818,157 S | 5/2018 | Zipfel et al. |
| D805,006 S | 12/2017 | Nakamura | D818,158 S | 5/2018 | Zipfel et al. |
| D805,013 S | 12/2017 | Whitla et al. | D818,159 S | 5/2018 | Zipfel et al. |
| D805,014 S | 12/2017 | Zipfel et al. | D818,160 S | 5/2018 | Perkins |
| | | | D818,406 S | 5/2018 | McMahan et al. |
| | | | D818,876 S | 5/2018 | Whitla et al. |
| | | | D818,877 S | 5/2018 | Nakamura et al. |
| | | | D818,878 S | 5/2018 | McMahan et al. |

(56)

References Cited

U.S. PATENT DOCUMENTS

| | | | | | |
|------------|---------|------------------|------------|----------|-----------------------|
| D818,892 S | 5/2018 | Lee | D841,844 S | 2/2019 | Perkins |
| D818,893 S | 5/2018 | Kim | D841,845 S | 2/2019 | Park |
| D818,903 S | 5/2018 | Zipfel et al. | D842,178 S | 3/2019 | Pinazzo et al. |
| D818,906 S | 5/2018 | McMahan | D842,306 S | 3/2019 | Lindo et al. |
| D818,907 S | 5/2018 | Whitla et al. | D843,023 S | 3/2019 | Whitla et al. |
| D818,915 S | 5/2018 | Kozub et al. | D843,024 S | 3/2019 | Hochmuth |
| D818,922 S | 5/2018 | Whitla et al. | D843,025 S | 3/2019 | Smith et al. |
| D819,505 S | 6/2018 | McMahan et al. | D843,275 S | 3/2019 | Koo et al. |
| D819,519 S | 6/2018 | Whitla et al. | D843,280 S | 3/2019 | Thurber et al. |
| D821,617 S | 6/2018 | Perkins | D843,614 S | 3/2019 | Whitla et al. |
| D822,550 S | 7/2018 | Wassell et al. | D843,616 S | 3/2019 | Smith et al. |
| D822,551 S | 7/2018 | McMahan et al. | D843,617 S | 3/2019 | Smith et al. |
| D823,188 S | 7/2018 | Loeb | D843,891 S | 3/2019 | Thompson et al. |
| D823,738 S | 7/2018 | Kim | D843,904 S | 3/2019 | Kim |
| D823,741 S | 7/2018 | Kim | D844,184 S | 3/2019 | Whitla et al. |
| D823,762 S | 7/2018 | Loeb | D844,185 S | 3/2019 | Hochmuth |
| D823,763 S | 7/2018 | Koo et al. | D844,186 S | 3/2019 | Smith et al. |
| D824,811 S | 8/2018 | Mainville | D845,184 S | 4/2019 | Zipfel |
| D824,812 S | 8/2018 | Loeb | D845,186 S | 4/2019 | Koo et al. |
| D824,824 S | 8/2018 | Kim | D845,187 S | 4/2019 | Pinazzo et al. |
| D824,825 S | 8/2018 | Loeb | D845,188 S | 4/2019 | Pinazzo et al. |
| D825,083 S | 8/2018 | Perkins | D845,189 S | 4/2019 | Pinazzo et al. |
| D825,388 S | 8/2018 | Karras et al. | D845,190 S | 4/2019 | Zipfel |
| D825,403 S | 8/2018 | Whitla et al. | D845,196 S | 4/2019 | Kozub |
| D826,114 S | 8/2018 | Smith et al. | D845,518 S | 4/2019 | Kozub |
| D826,435 S | 8/2018 | Kim | D845,519 S | 4/2019 | Zipfel |
| D826,803 S | 8/2018 | Smith et al. | D846,448 S | 4/2019 | Loeb |
| D827,506 S | 9/2018 | McMahan et al. | D846,457 S | 4/2019 | Koo et al. |
| D827,508 S | 9/2018 | Whitla et al. | D846,458 S | 4/2019 | Mack et al. |
| D827,510 S | 9/2018 | Kim | D846,769 S | 4/2019 | Koo et al. |
| D827,527 S | 9/2018 | Loeb | D846,770 S | 4/2019 | Kozub |
| D828,246 S | 9/2018 | Loeb | D846,771 S | 4/2019 | Zipfel |
| D828,261 S | 9/2018 | Moffett et al. | D846,772 S | 4/2019 | Pinazzo et al. |
| D828,935 S | 9/2018 | Hochmuth | D847,027 S | 4/2019 | Loeb |
| D829,622 S | 10/2018 | Jacob | D847,028 S | 4/2019 | Loeb |
| D830,241 S | 10/2018 | Kozub | D847,038 S | 4/2019 | Loeb |
| D830,242 S | 10/2018 | Zipfel | D847,041 S | 4/2019 | Blanski et al. |
| D830,252 S | 10/2018 | Swanseger | D847,042 S | * 4/2019 | Pinazzo D12/169 |
| D830,258 S | 10/2018 | McMahan et al. | D847,043 S | 4/2019 | Kozub |
| D830,261 S | 10/2018 | Jacob | D847,044 S | * 4/2019 | Zipfel D12/169 |
| D830,589 S | 10/2018 | Henriques | D847,045 S | 4/2019 | Whitla et al. |
| D832,752 S | 11/2018 | Lee | D847,046 S | 4/2019 | Whitla et al. |
| D835,003 S | 12/2018 | Thompson et al. | D847,047 S | 4/2019 | Krieg et al. |
| D835,012 S | 12/2018 | Smith et al. | D847,390 S | 4/2019 | Koo et al. |
| D837,105 S | 1/2019 | Loeb | D847,391 S | 4/2019 | Pinazzo et al. |
| D837,109 S | 1/2019 | Kozub et al. | D847,392 S | 4/2019 | Zipfel |
| D837,424 S | 1/2019 | Whitla et al. | D847,699 S | 5/2019 | Kozub |
| D838,015 S | 1/2019 | McMahan et al. | D847,700 S | 5/2019 | Kozub |
| D838,016 S | 1/2019 | McMahan et al. | D847,701 S | 5/2019 | Kozub |
| D838,390 S | 1/2019 | McMahan et al. | D847,702 S | 5/2019 | Zipfel |
| D838,391 S | 1/2019 | McMahan et al. | D847,703 S | 5/2019 | Kozub |
| D839,157 S | 1/2019 | Smith et al. | D847,704 S | 5/2019 | Zipfel |
| D839,163 S | 1/2019 | Pinazzo et al. | D847,705 S | 5/2019 | Zipfel |
| D839,164 S | 1/2019 | Zipfel | D847,707 S | 5/2019 | Park Cheng et al. |
| D839,460 S | 1/2019 | Zipfel et al. | D847,714 S | 5/2019 | Mack et al. |
| D840,068 S | 2/2019 | Zipfel et al. | D848,315 S | 5/2019 | Koo et al. |
| D840,069 S | 2/2019 | Perkins | D848,318 S | 5/2019 | McMahan et al. |
| D840,285 S | 2/2019 | Mack et al. | D848,320 S | 5/2019 | Pinazzo et al. |
| D840,286 S | 2/2019 | Mack et al. | D848,322 S | 5/2019 | Mack et al. |
| D840,293 S | 2/2019 | Koo et al. | D848,323 S | 5/2019 | Mack et al. |
| D840,302 S | 2/2019 | O'Donnell et al. | D848,324 S | 5/2019 | Thurber et al. |
| D840,303 S | 2/2019 | Park Cheng | D848,325 S | 5/2019 | Thurber et al. |
| D840,306 S | 2/2019 | Kozub | D848,647 S | 5/2019 | Kozub |
| D840,565 S | 2/2019 | Whitla et al. | D848,908 S | 5/2019 | Krieg |
| D840,570 S | 2/2019 | Kim et al. | D848,909 S | 5/2019 | Lee |
| D840,571 S | 2/2019 | Zipfel et al. | D848,911 S | 5/2019 | De Leon |
| D840,572 S | 2/2019 | Perkins | D848,915 S | 5/2019 | Izard |
| D840,885 S | 2/2019 | Park Cheng | D849,627 S | 5/2019 | Zipfel |
| D841,527 S | 2/2019 | Kozub et al. | D849,629 S | 5/2019 | De Leon |
| D841,532 S | 2/2019 | Koo et al. | D849,630 S | 5/2019 | De Leon |
| D841,540 S | 2/2019 | Koo et al. | D850,341 S | 6/2019 | Riggs et al. |
| D841,541 S | 2/2019 | Krieg | D850,989 S | 6/2019 | Kozub |
| D841,542 S | 2/2019 | Koo et al. | D851,002 S | 6/2019 | Kozub |
| D841,547 S | 2/2019 | Zipfel et al. | D851,541 S | 6/2019 | Pinazzo |
| D841,843 S | 2/2019 | Park | D851,542 S | 6/2019 | Mack |
| | | | D851,547 S | 6/2019 | Mack et al. |
| | | | D851,548 S | 6/2019 | Mack et al. |
| | | | D851,549 S | 6/2019 | Mack et al. |
| | | | D851,550 S | 6/2019 | Mack et al. |

(56)

References Cited

U.S. PATENT DOCUMENTS

| | | | |
|--------------|---------|----------------|---------|
| D851,551 S | 6/2019 | Mack et al. | |
| D851,552 S | 6/2019 | Mack et al. | |
| D851,555 S | 6/2019 | Whitla et al. | |
| D851,556 S | 6/2019 | Thurber et al. | |
| D851,557 S | 6/2019 | Thurber et al. | |
| D851,558 S | 6/2019 | Thurber et al. | |
| D851,559 S | 6/2019 | Thurber et al. | |
| D851,560 S | 6/2019 | Yong et al. | |
| D851,561 S | 6/2019 | Yong et al. | |
| D868,650 S * | 12/2019 | Gifford | D12/169 |

* cited by examiner

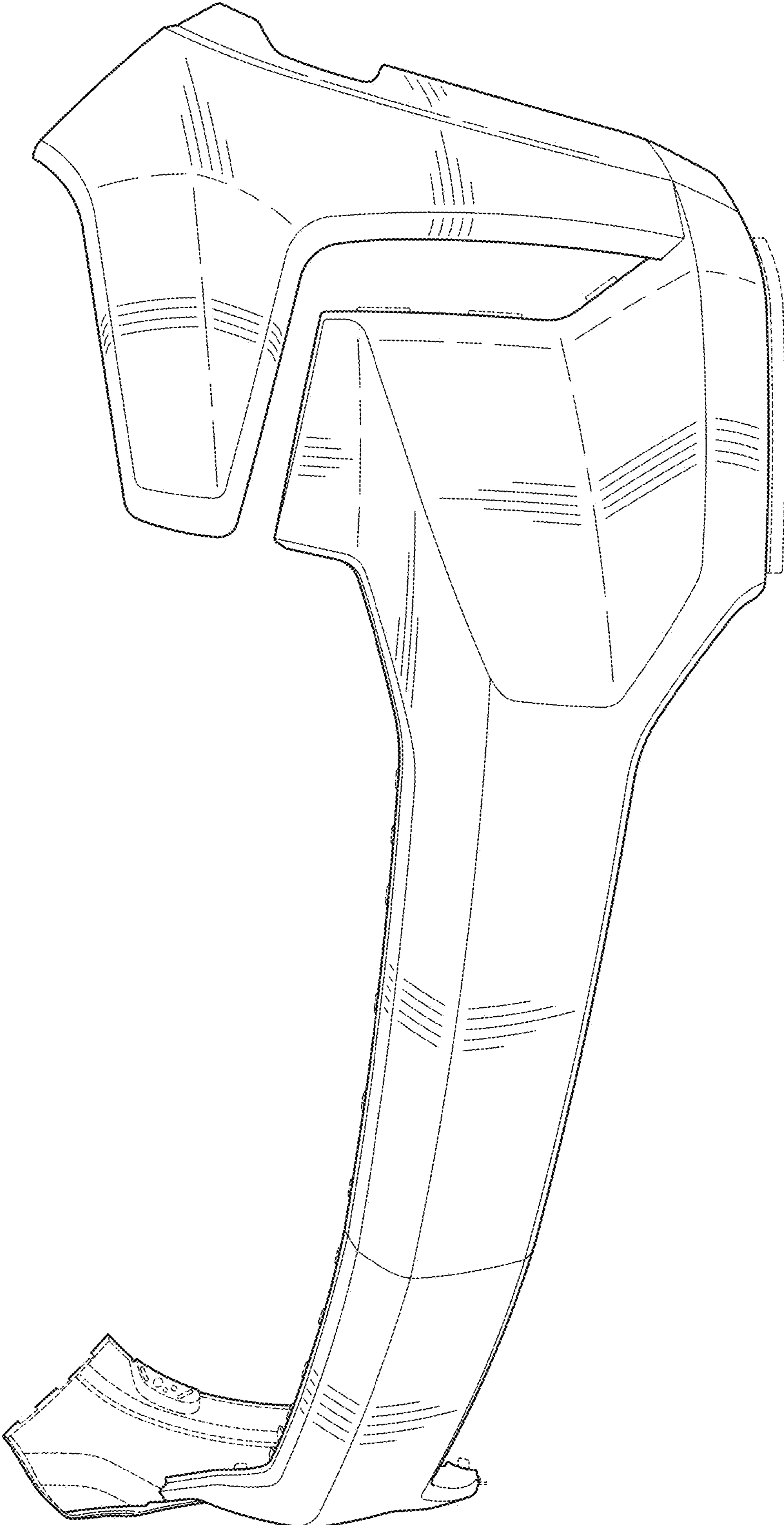


FIG. 1

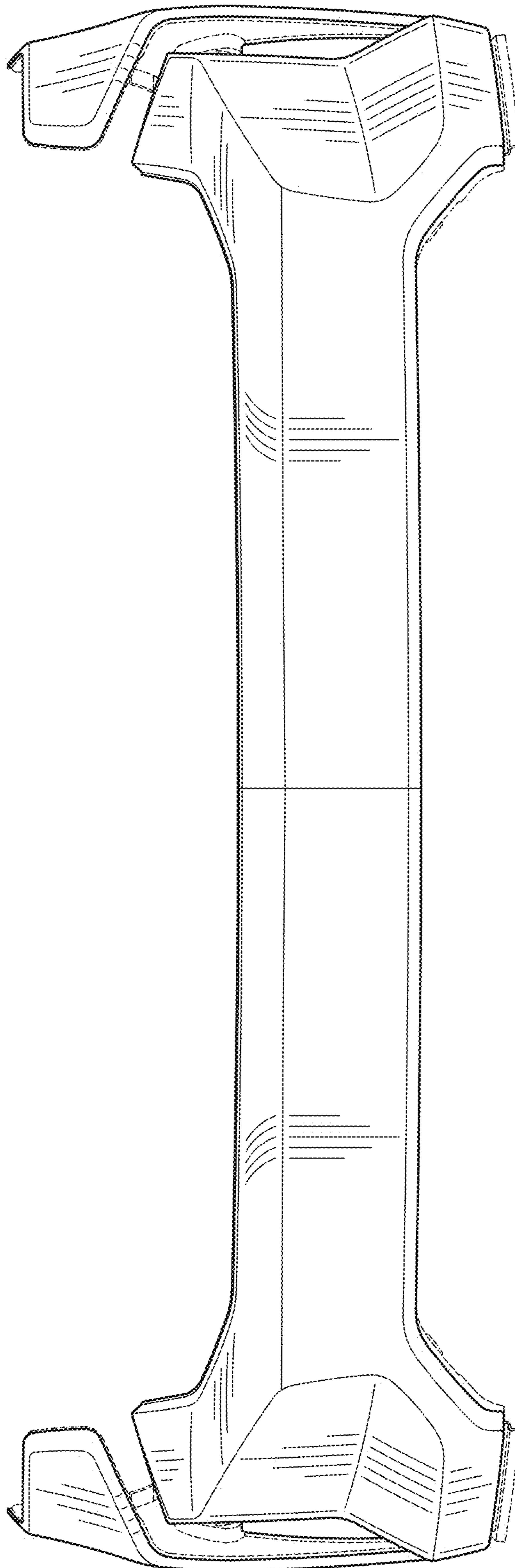


FIG. 2

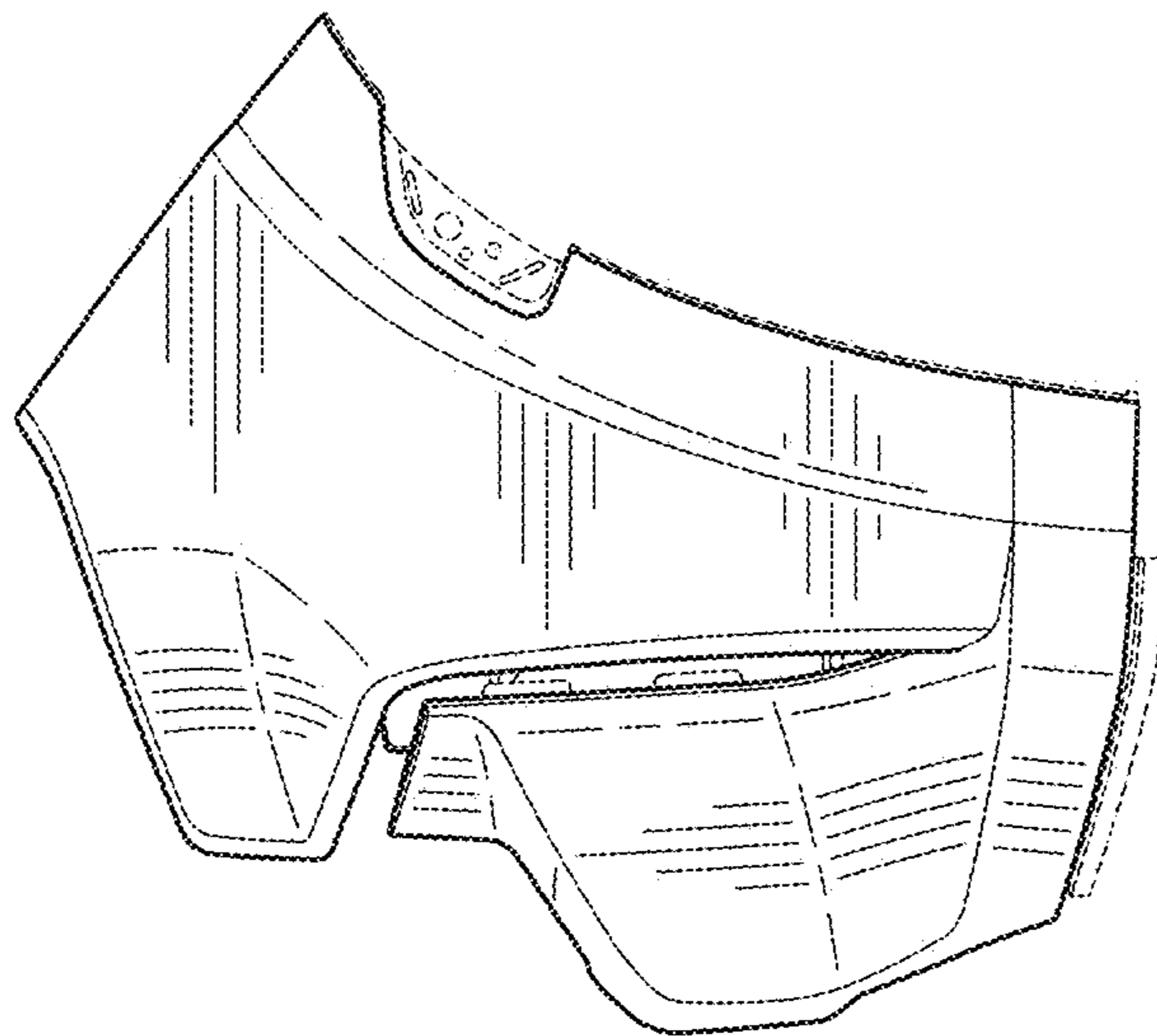


FIG. 3

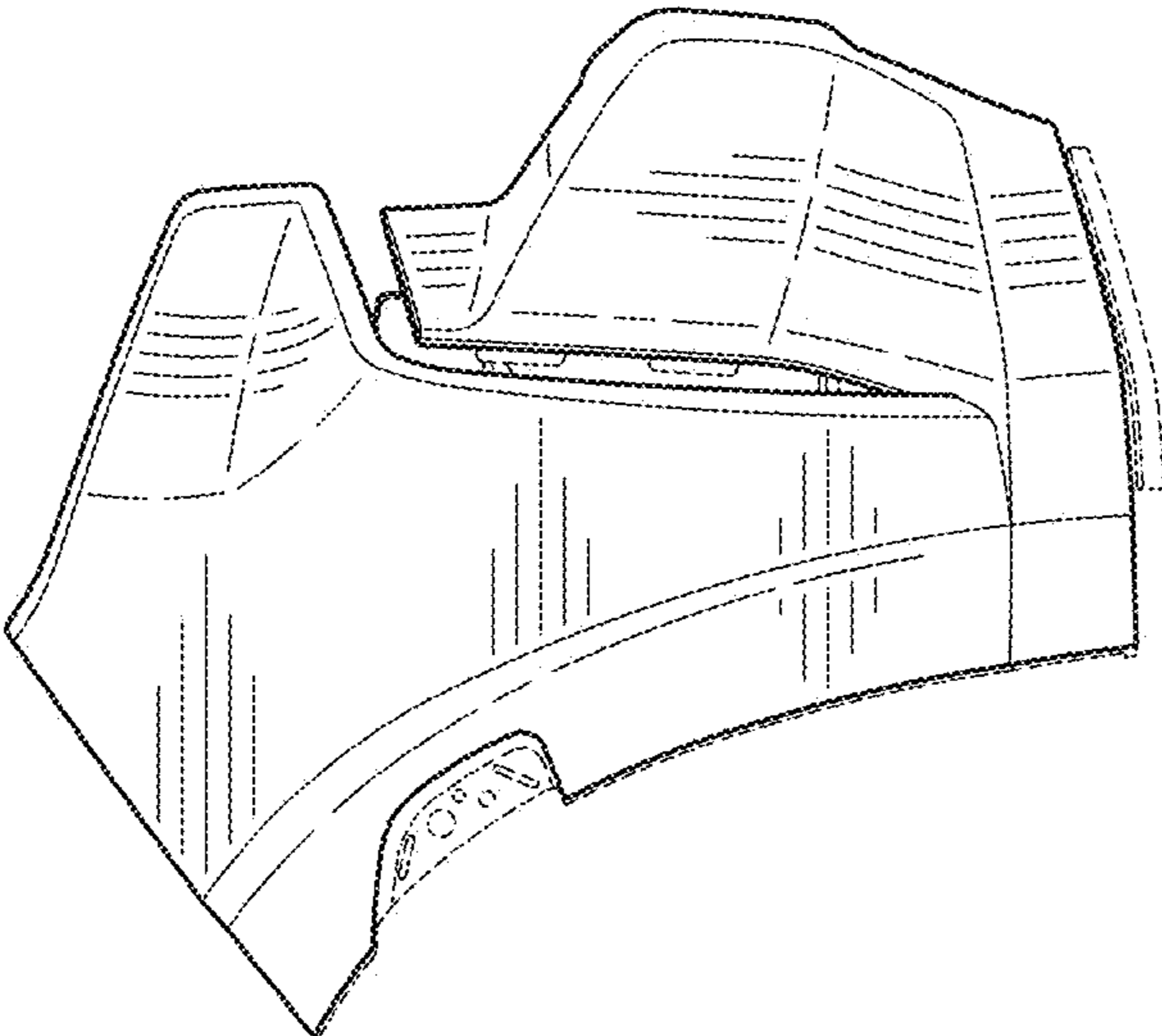


FIG. 4

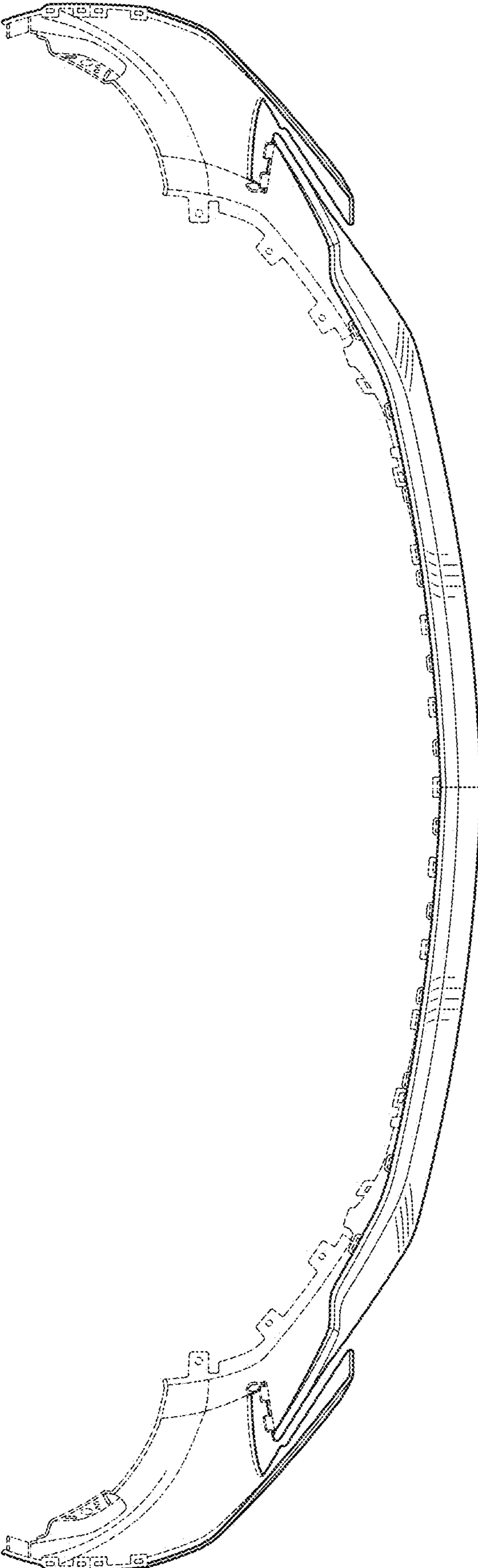


FIG. 5