



US00D919489S

(12) **United States Design Patent**
Brockway et al.

(10) **Patent No.:** **US D919,489 S**
(45) **Date of Patent:** **** May 18, 2021**

- (54) **DUAL RECEPTACLE CARRIER**
- (71) Applicant: **Medline Industries, Inc.**, Northfield, IL (US)
- (72) Inventors: **Todd Brockway**, Vernon Hills, IL (US); **Emily Berman**, Park Ridge, IL (US); **Caren Wax**, Deerfield, IL (US); **Tambra Martin**, Trevor, WI (US); **William Elliott Brooks**, Chicago, IL (US); **Robert W. Sheldon**, Winnetka, IL (US); **Gregory J. Foster**, Chicago, IL (US)

5,433,361 A	7/1995	O'Malley	
5,628,486 A	5/1997	Rossmann	
5,745,565 A	4/1998	Wakefield	
5,810,228 A	9/1998	Brokering	
D415,095 S *	10/1999	Goldsmith D12/317
5,996,957 A	12/1999	Kurtz	
6,390,427 B1	5/2002	McConnell	
6,971,564 B2	12/2005	Yang	
D516,393 S	3/2006	Wickenhauser	
D516,874 S *	3/2006	Haney D7/620
7,017,243 B2	3/2006	Carnevali	
7,077,302 B2	7/2006	Chuang	
7,090,183 B2	8/2006	Heybl	

(Continued)

- (73) Assignee: **Medline Industries, Inc.**, Northfield, IL (US)
- (**) Term: **15 Years**
- (21) Appl. No.: **29/709,455**
- (22) Filed: **Oct. 15, 2019**

FOREIGN PATENT DOCUMENTS

DE	102011119709 A1	6/2013
FR	2781552 A1	1/2000

Primary Examiner — Charles D Hanson

(74) *Attorney, Agent, or Firm* — Fitch, Even, Tabin & Flannery LLP

Related U.S. Application Data

- (62) Division of application No. 29/612,028, filed on Jul. 27, 2017, now Pat. No. Des. 877,664.
- (51) **LOC (13) Cl.** **12-12**
- (52) **U.S. Cl.**
USPC **D12/133**
- (58) **Field of Classification Search**
USPC D12/128-133; D7/620
CPC .. A61H 3/00; A47G 23/02; B62B 9/00; B62B 7/06
See application file for complete search history.

(57) **CLAIM**

The ornamental design for dual receptacle carrier, as shown and described.

DESCRIPTION

FIG. 1 is a front perspective view of a dual receptacle carrier showing our new design;
 FIG. 2 is a top plan view thereof;
 FIG. 3 is a front elevation view thereof;
 FIG. 4 is a right side elevation view thereof;
 FIG. 5 is a rear elevation view thereof;
 FIG. 6 is a left side elevation view thereof; and,
 FIG. 7 is a bottom plan view thereof.

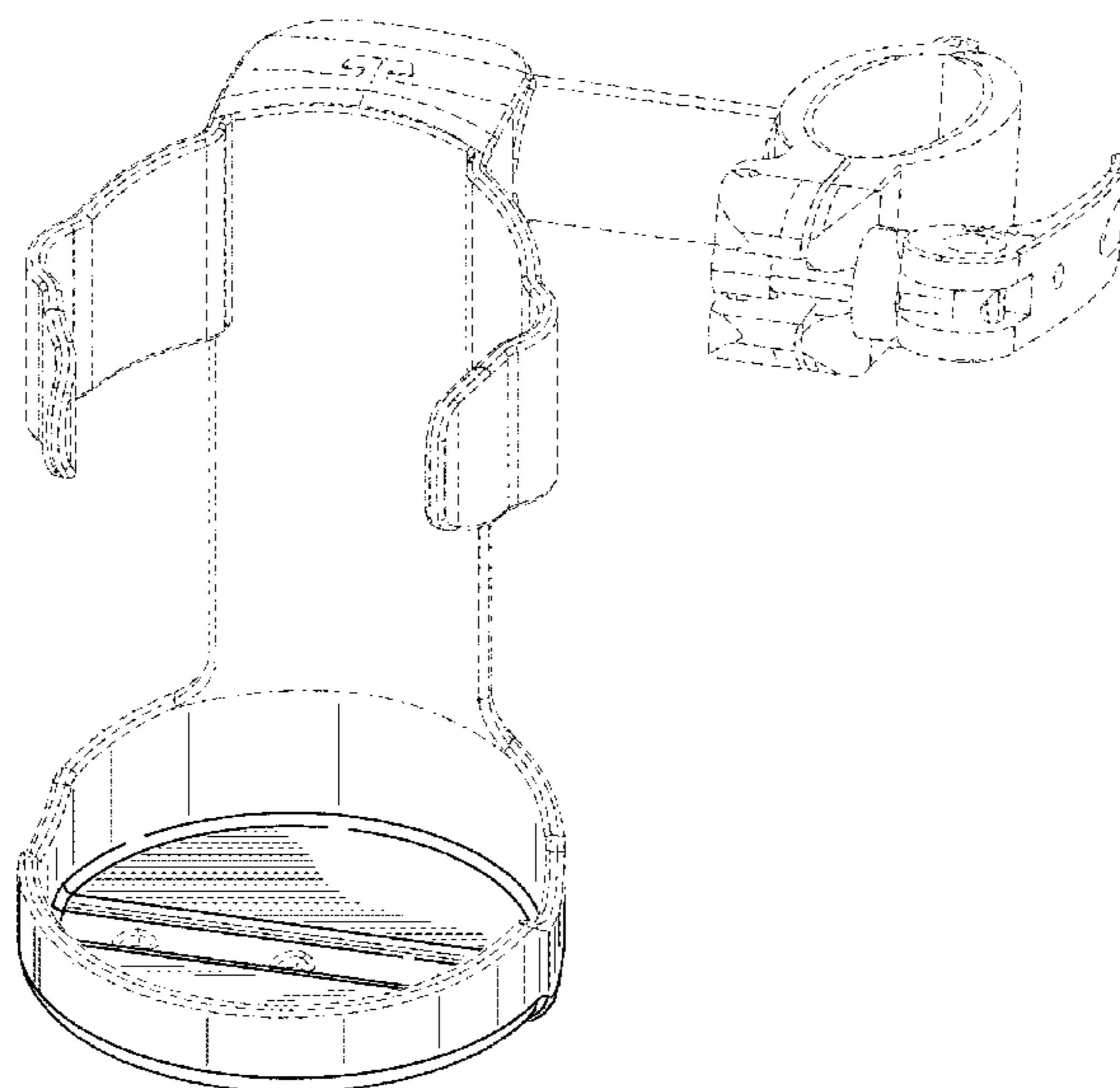
The broken lines depict unclaimed portions of the dual receptacle carrier and form no part of the claimed design. The dash-dot broken lines in FIGS. 1, 3, 4, 5, and 6 represent an unclaimed boundary that forms no part of the claimed design.

(56) **References Cited**

U.S. PATENT DOCUMENTS

3,734,439 A	5/1973	Wintz
4,535,923 A	8/1985	Manke
5,320,263 A	6/1994	Kobylack

1 Claim, 5 Drawing Sheets



(56)

References Cited

U.S. PATENT DOCUMENTS

D673,816	S *	1/2013	Phillips	D7/620
D679,146	S	4/2013	Rincon		
8,500,076	B2	8/2013	Lai		
8,651,350	B2	2/2014	Onogi		
8,894,030	B2	11/2014	Nixon		
8,919,622	B1	12/2014	Gabriel		
D755,575	S *	5/2016	Pratt	D7/620
9,399,479	B1	7/2016	Chen		
D771,525	S *	11/2016	Kim	D12/133
9,944,209	B1	4/2018	Carnevali		
9,950,731	B2 *	4/2018	Kim	F16B 2/12
D835,942	S *	12/2018	Koller	D7/552.1
D877,664	S *	3/2020	Brockway	D12/133
10,588,812	B2 *	3/2020	Brockway	A61H 1/00
2014/0284443	A1 *	9/2014	Forbes	B62B 9/12 248/313
2015/0001359	A1	1/2015	Catchings		
2015/0375766	A1 *	12/2015	Taylor	B62B 7/142 280/647
2018/0099713	A1	4/2018	Oste		
2019/0029913	A1	1/2019	Brockway		

* cited by examiner

FIG. 1

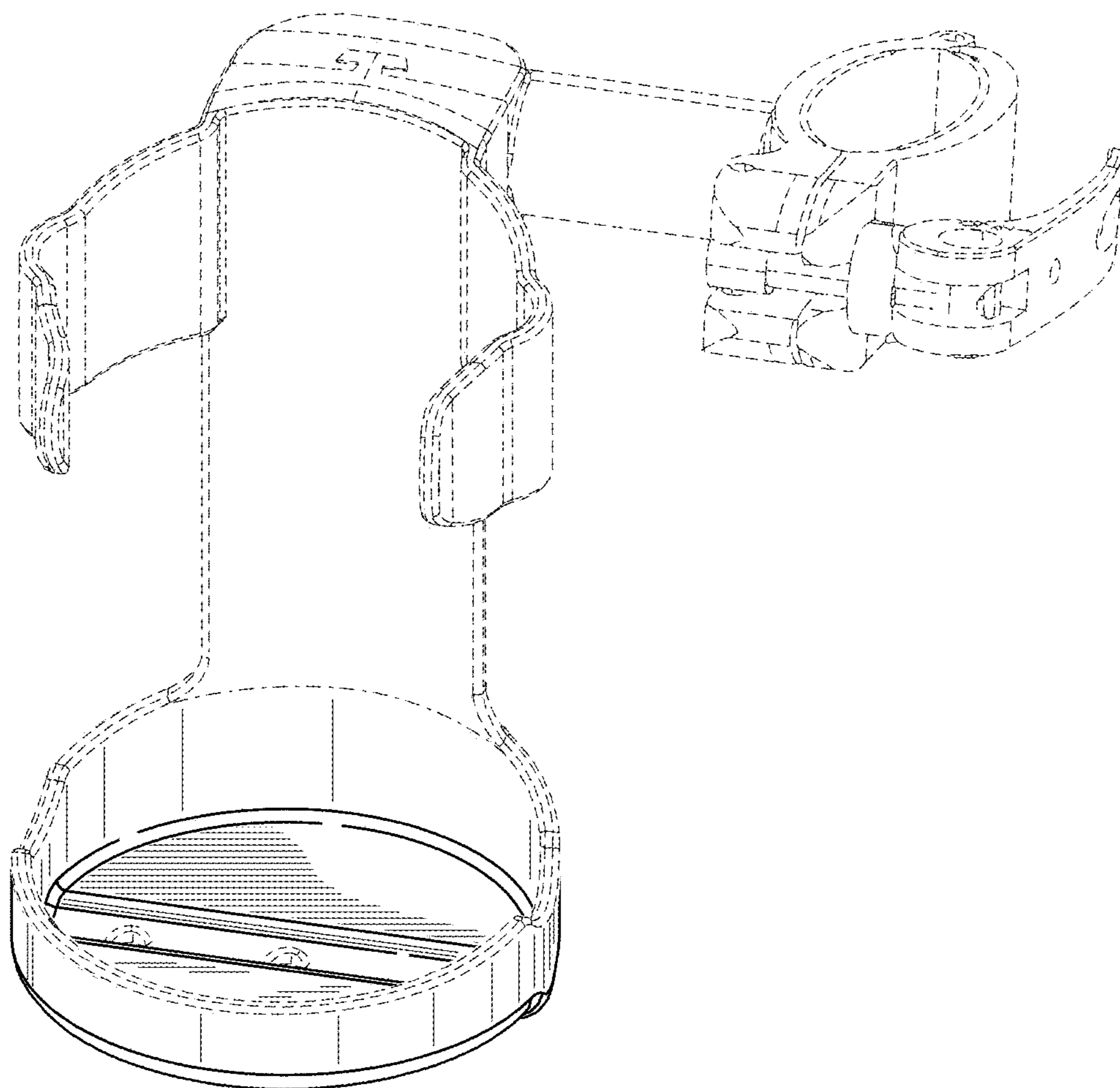


FIG. 2

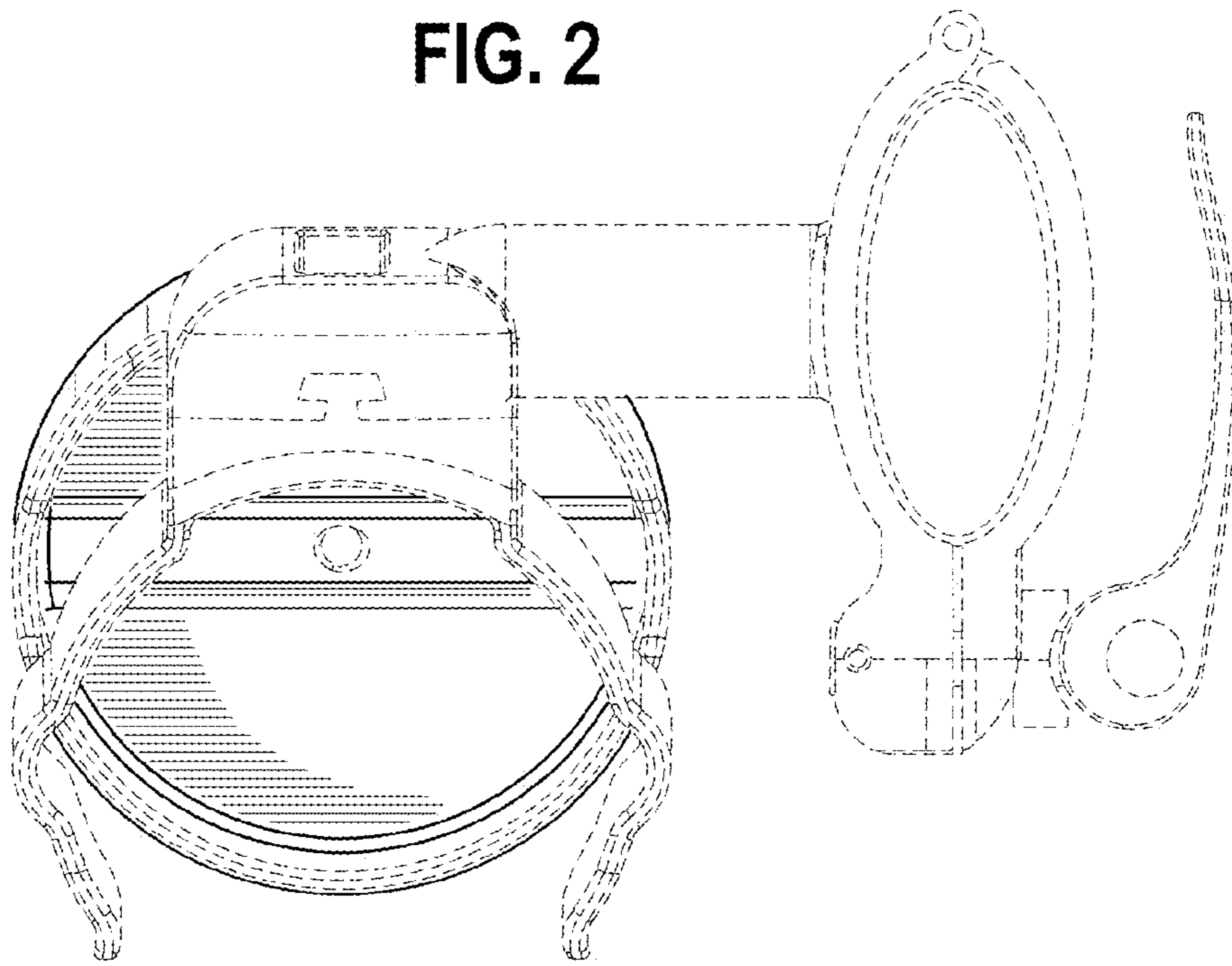


FIG. 3

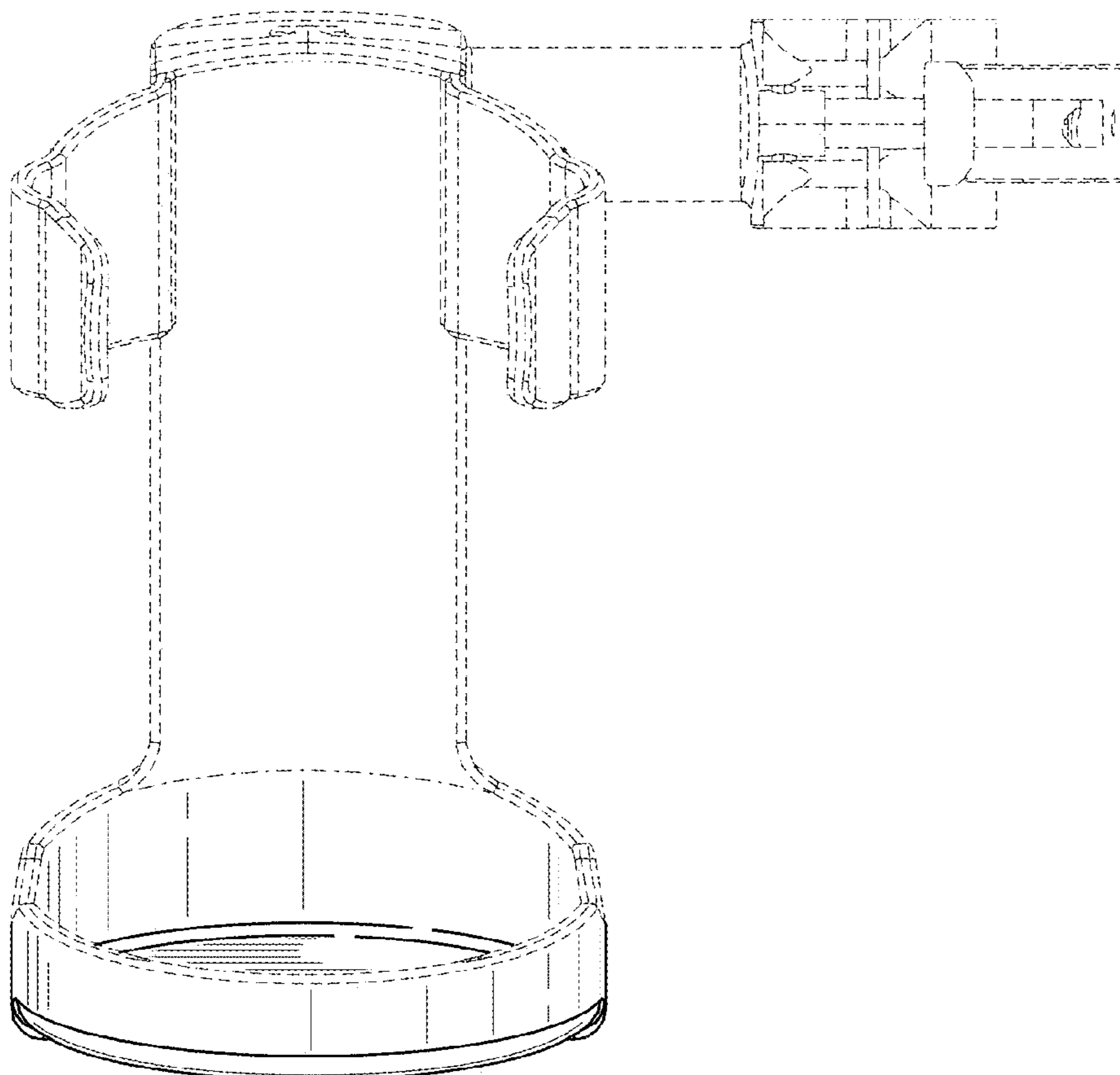


FIG. 4

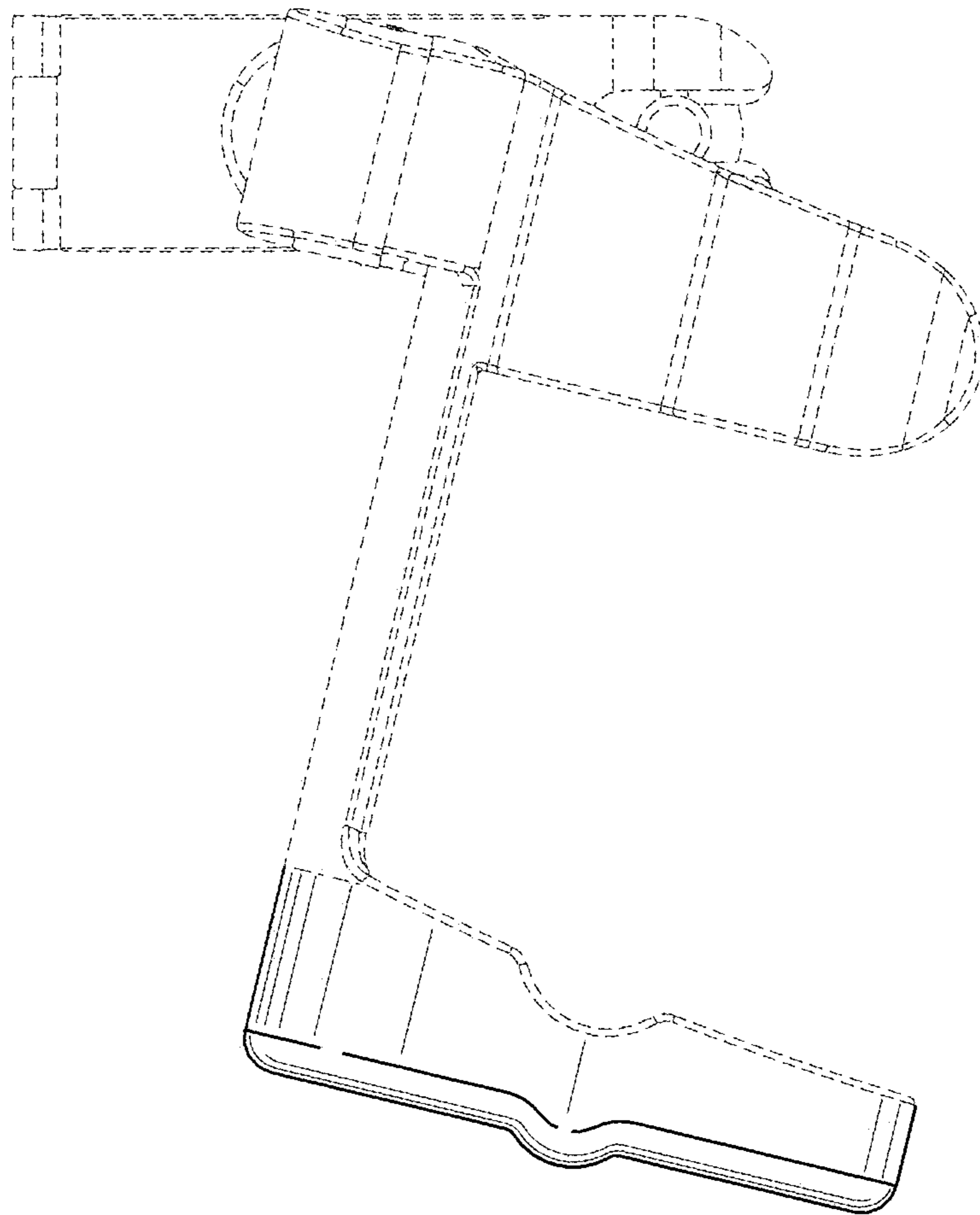


FIG. 5

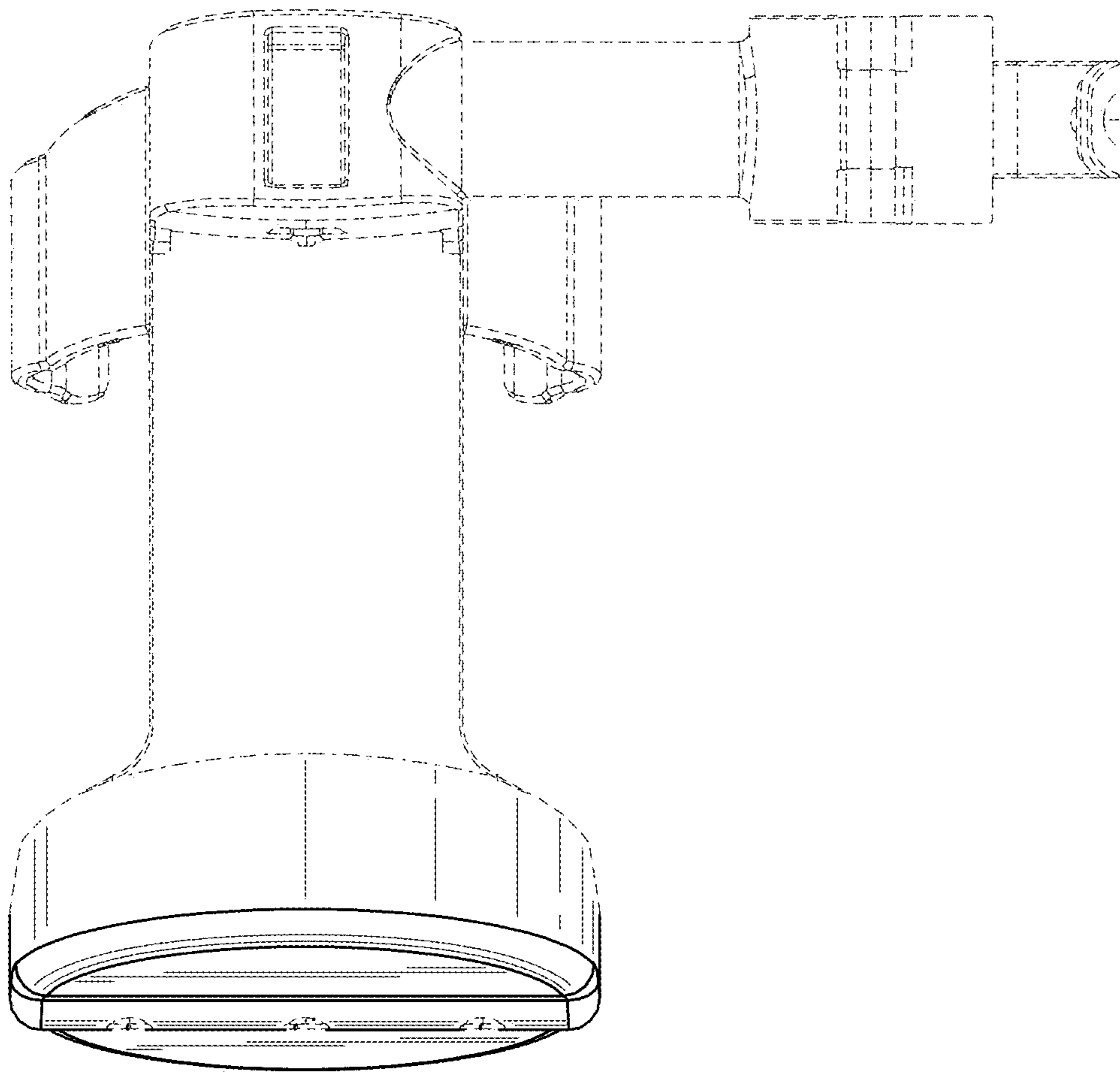


FIG. 6

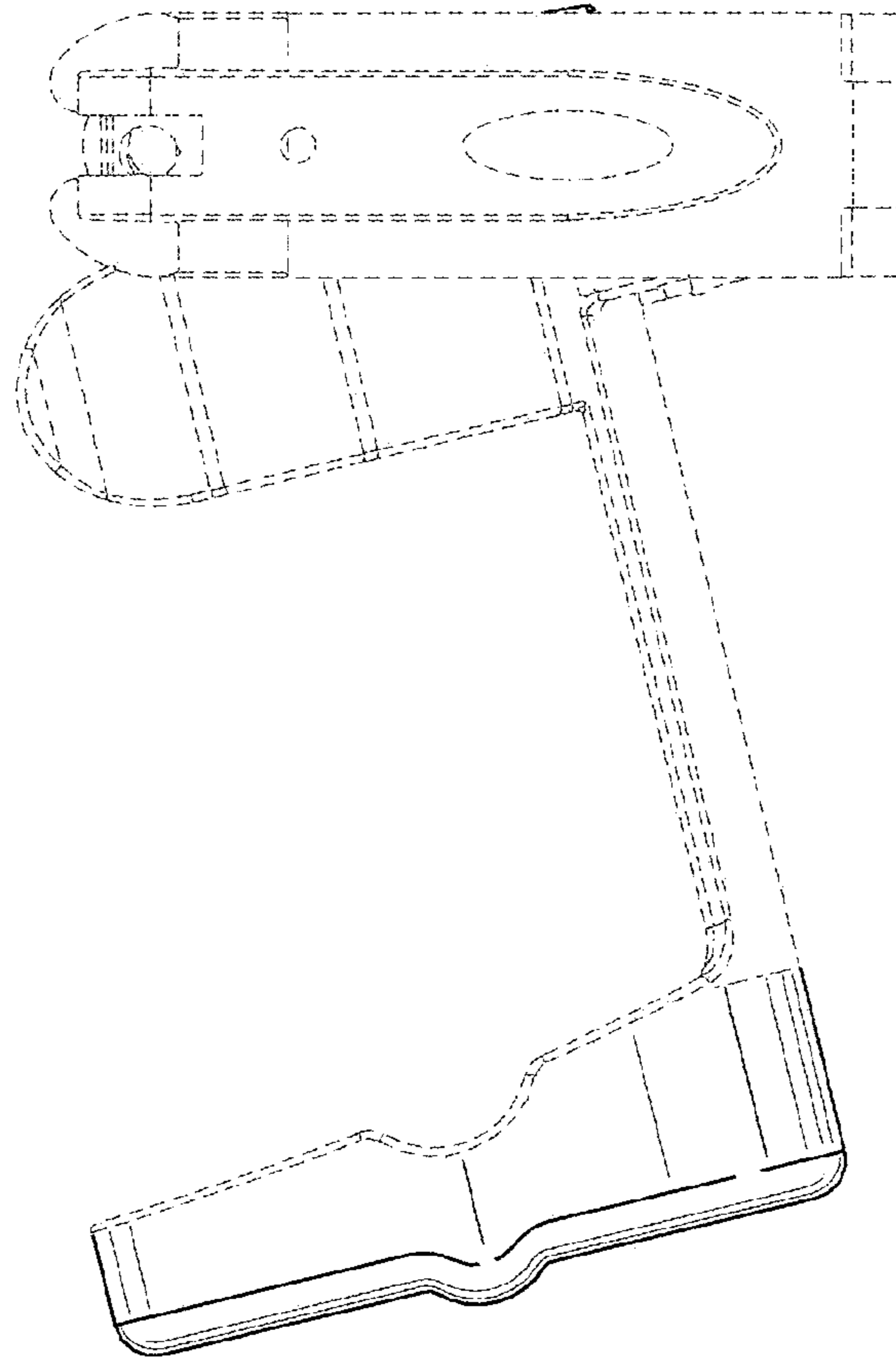


FIG. 7

