



US00D919488S

(12) **United States Design Patent** (10) **Patent No.:** **US D919,488 S**  
**Napier et al.** (45) **Date of Patent:** **\*\* May 18, 2021**

(54) **STROLLER FRAME FOR CHILDREN**

(71) Applicant: **CYBEX GmbH**, Bayreuth (DE)

(72) Inventors: **Petra Napier**, Bayreuth (DE); **Peter Koller**, Bayreuth (DE)

(73) Assignee: **CYBEX GmbH**, Bayreuth (DE)

(\*\*) Term: **15 Years**

(21) Appl. No.: **35/508,868**

(22) Filed: **Sep. 19, 2019**

(80) **Hague Agreement Data**

Int. Filing Date: **Sep. 19, 2019**

Int. Reg. No.: **DM/205493**

Int. Reg. Date: **Sep. 19, 2019**

Int. Reg. Pub. Date: **Mar. 20, 2020**

(51) **LOC (13) Cl.** ..... **12-12**

(52) **U.S. Cl.**  
USPC ..... **D12/129**

(58) **Field of Classification Search**  
USPC ..... D12/128-133  
CPC ..... B62B 7/06-105  
See application file for complete search history.

(56) **References Cited**

**U.S. PATENT DOCUMENTS**

D621,306 S \* 8/2010 Liao ..... D12/129  
D836,498 S \* 12/2018 Hauser ..... D12/129

D840,280 S \* 2/2019 Zhou ..... D12/129  
D875,618 S \* 2/2020 Hauser ..... D12/129  
D889,323 S \* 7/2020 Reinius ..... D12/129  
D896,133 S \* 9/2020 Zhou ..... D12/129  
2020/0283051 A1 \* 9/2020 Liao ..... B62B 7/068

\* cited by examiner

*Primary Examiner* — George D. Kirschbaum

*Assistant Examiner* — Joseph J Kukella

(74) *Attorney, Agent, or Firm* — Boyle Fredrickson S.C.

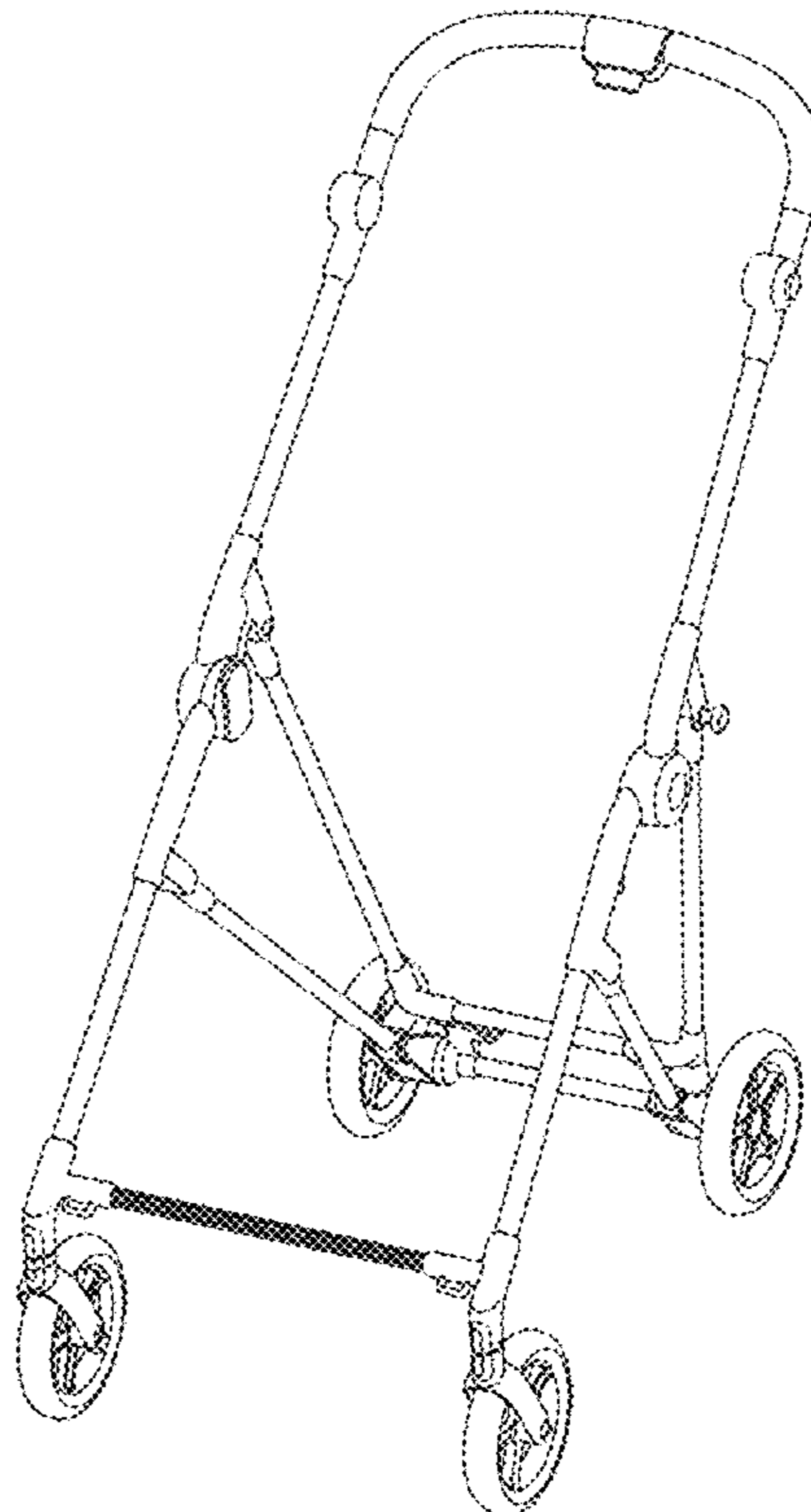
(57) **CLAIM**

The ornamental design for a stroller frame for children, as shown and described.

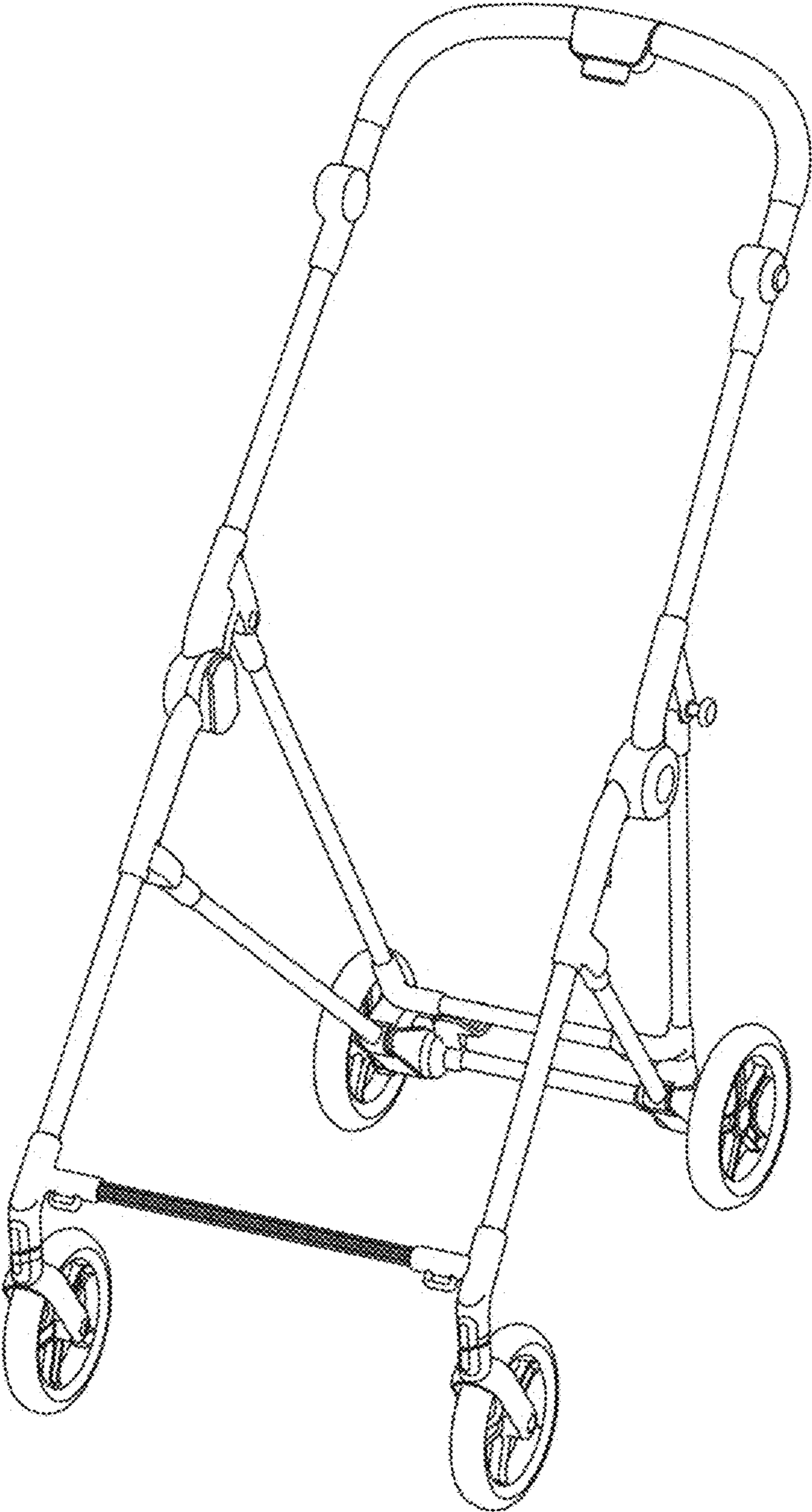
**DESCRIPTION**

- 1. Stroller frame for children
  - 1.1 : Perspective
  - 1.2 : Left
  - 1.3 : Right
  - 1.4 : Front
  - 1.5 : Back
  - 1.6 : Top
  - 1.7 : Bottom
- Stroller frame for children.

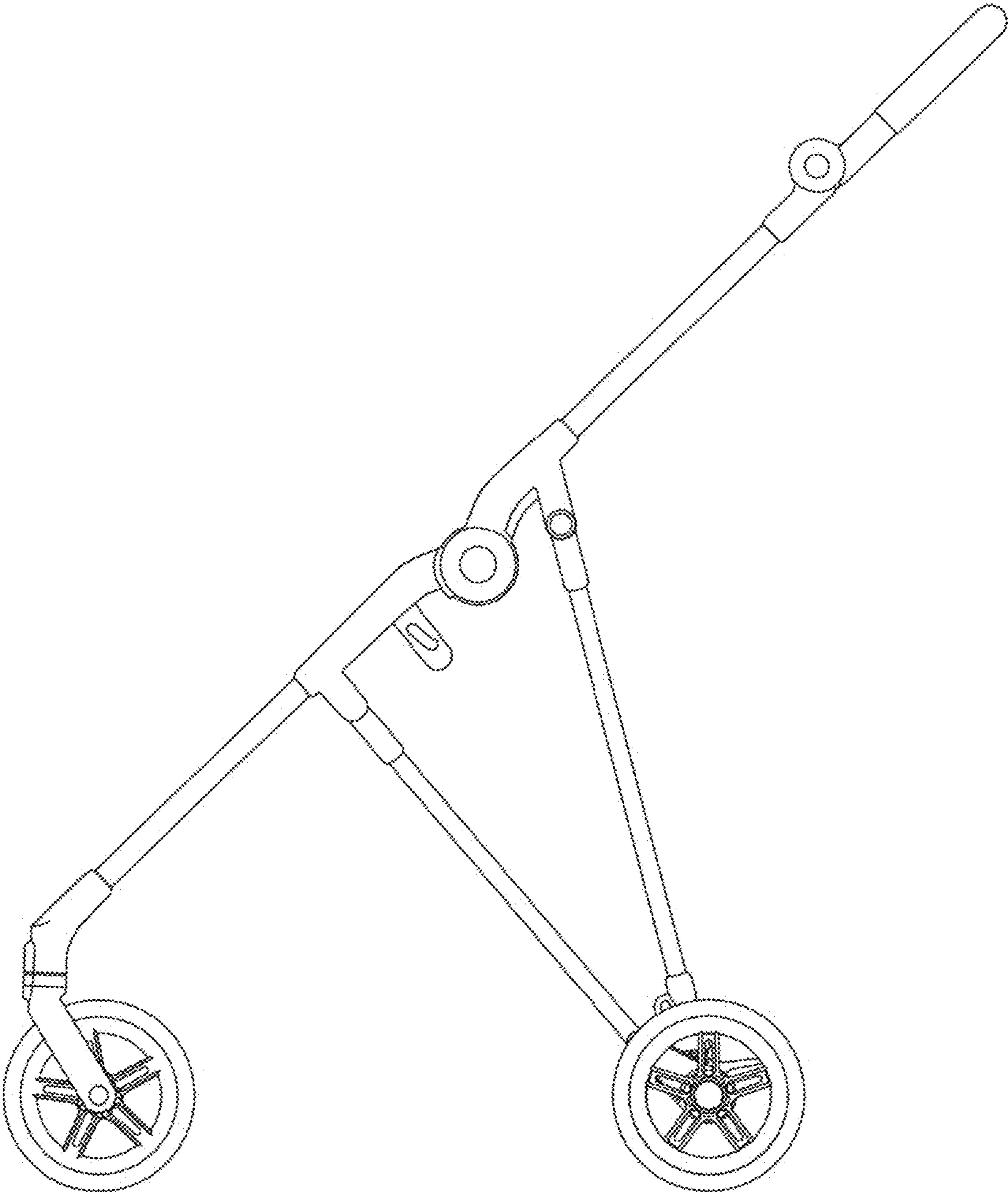
**1 Claim, 7 Drawing Sheets**



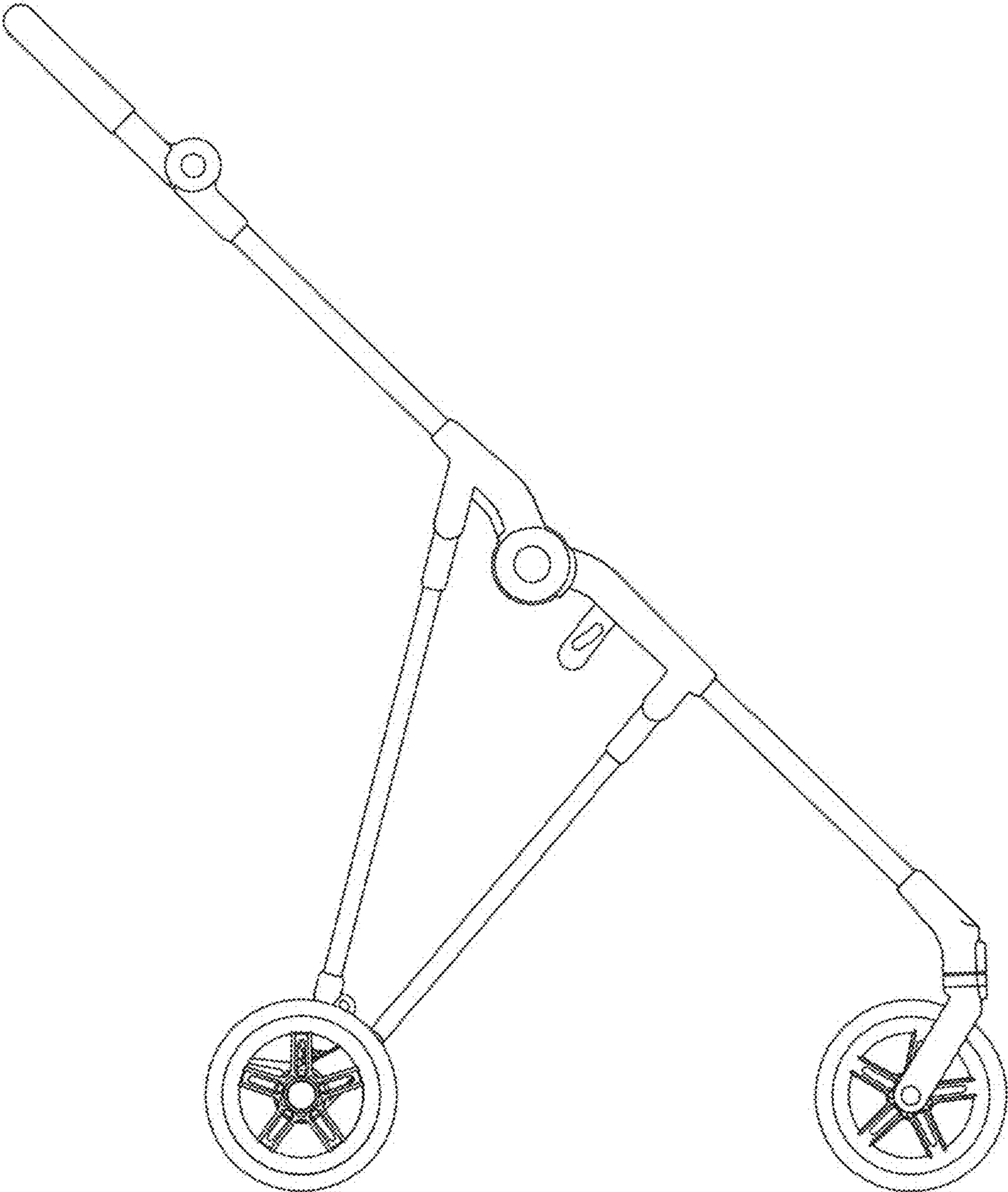
1.1



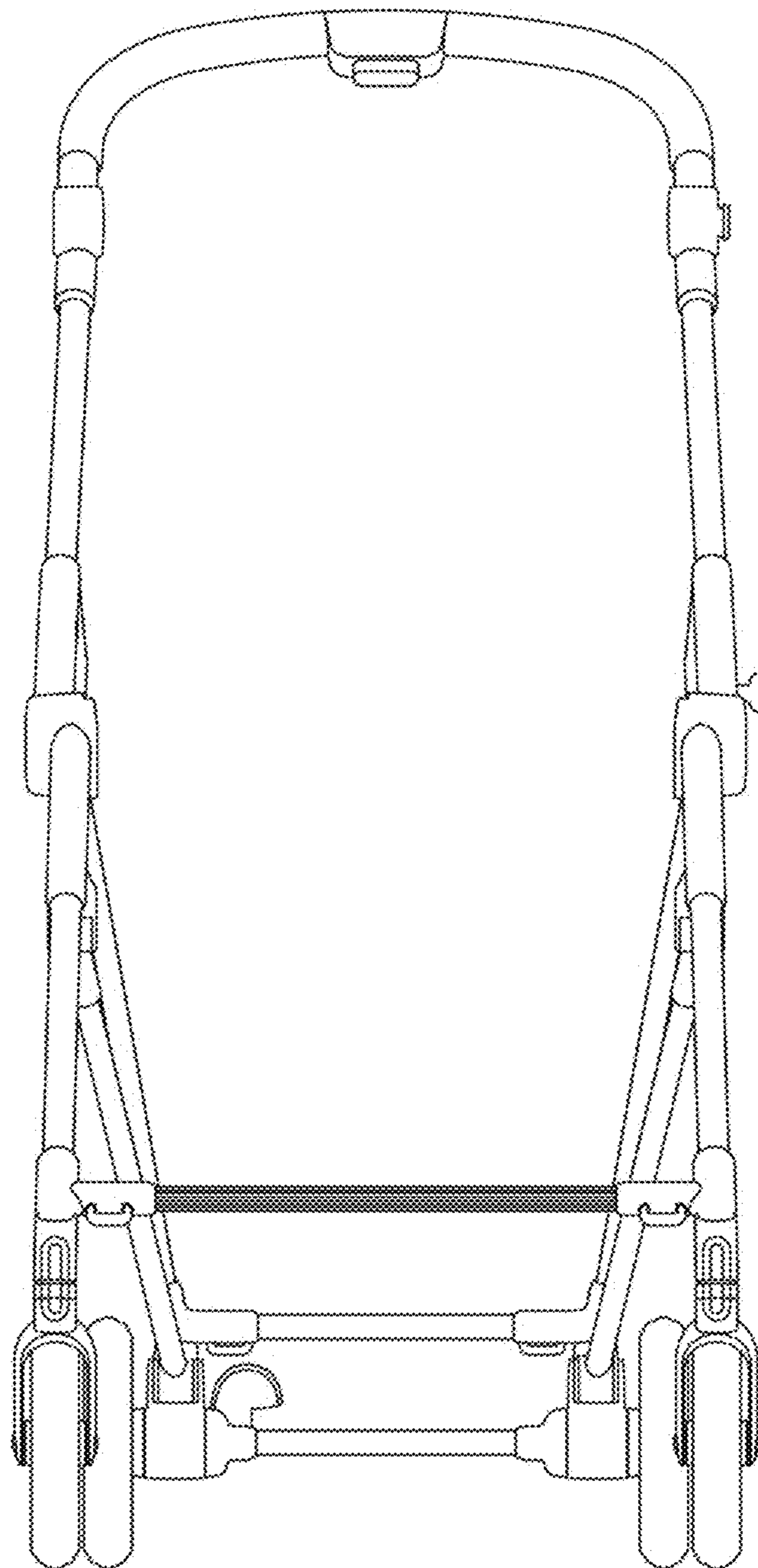
1.2



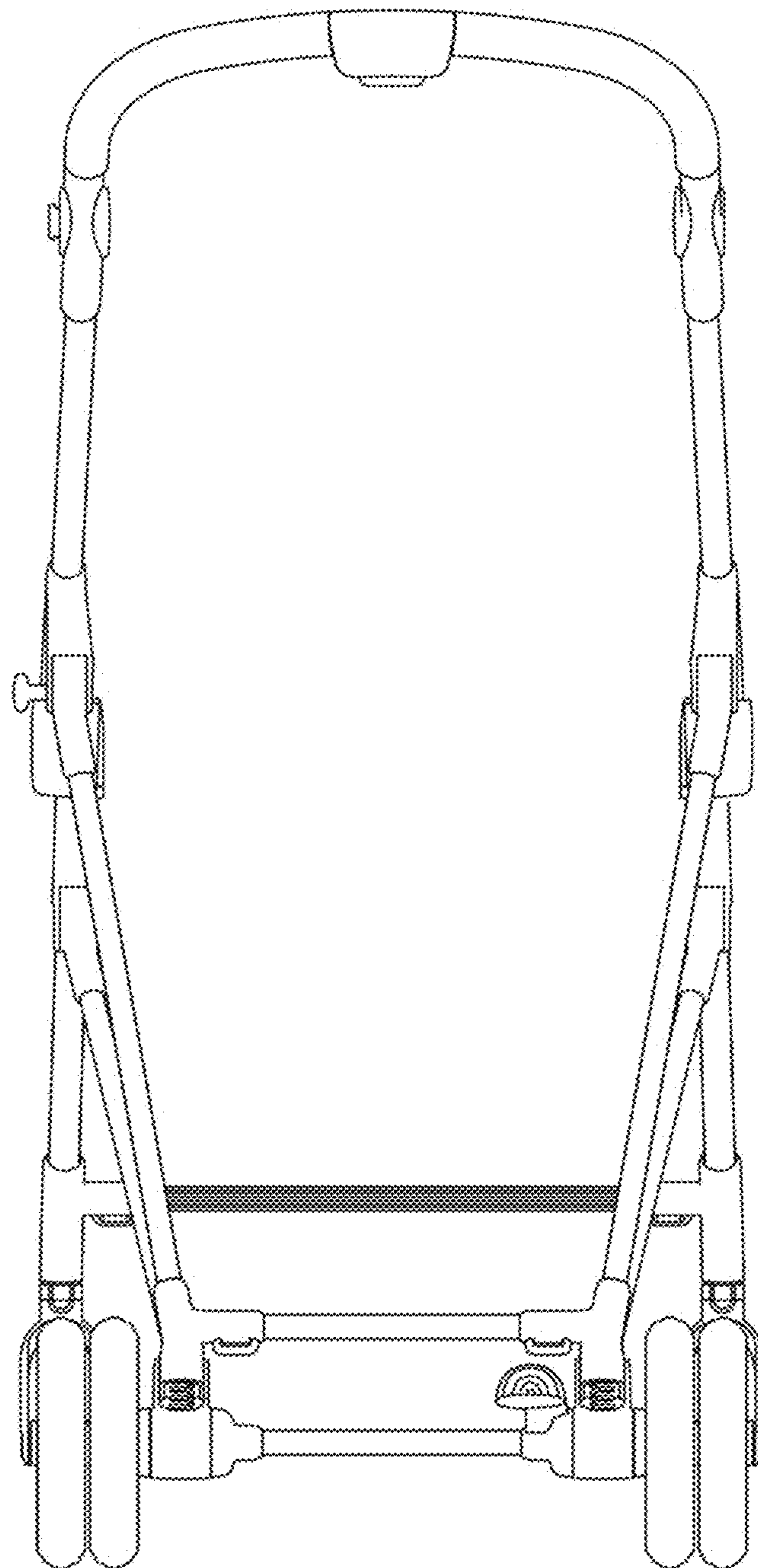
1.3



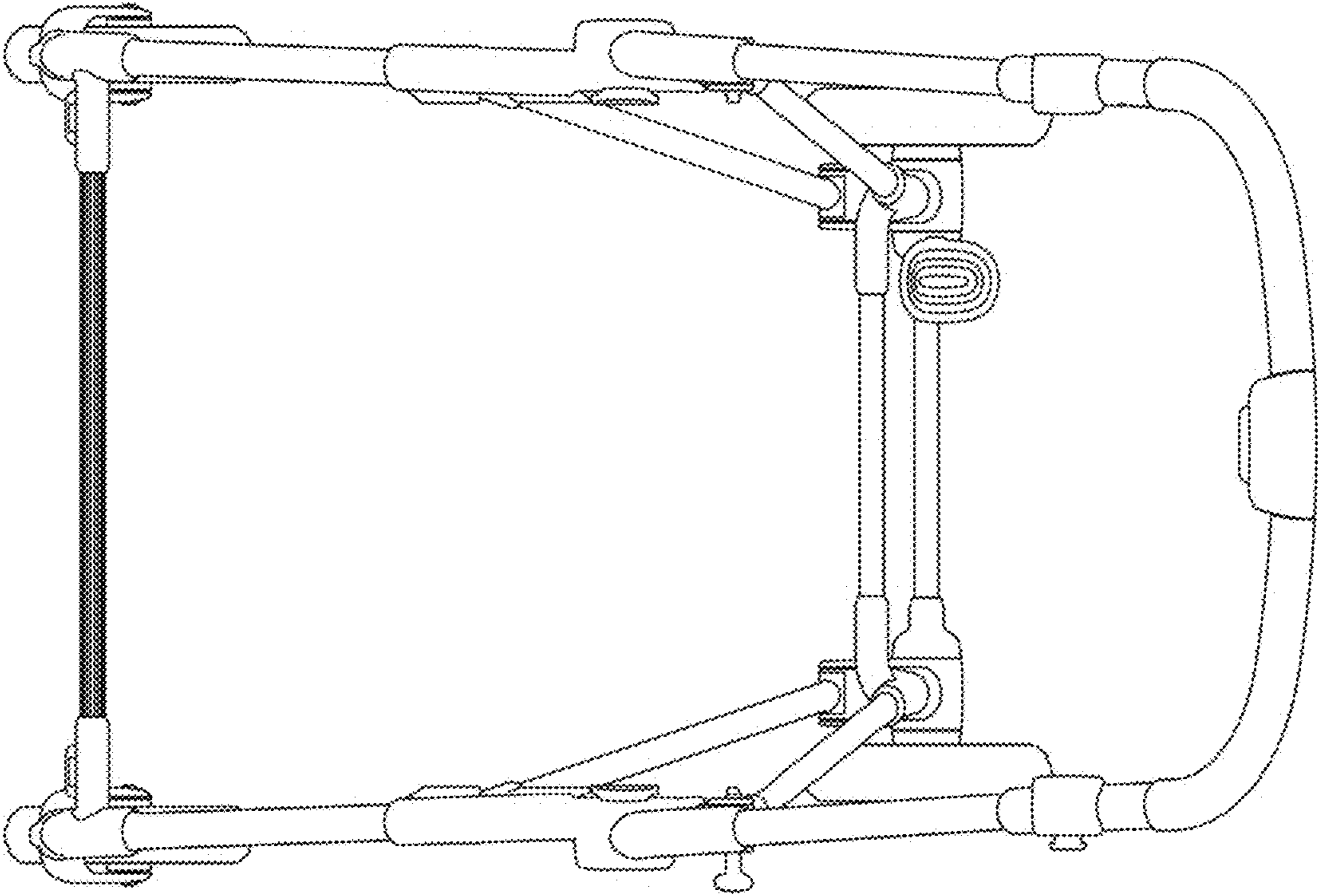
1.4



1.5



1.6



1.7

