



US00D919487S

(12) **United States Design Patent** (10) **Patent No.:** **US D919,487 S**
Koller et al. (45) **Date of Patent:** **** May 18, 2021**

(54) **STROLLER FRAME FOR CHILDREN**

D889,323 S * 7/2020 Reinius D12/129
 D896,133 S * 9/2020 Zhou D12/129
 2020/0283051 A1 * 9/2020 Liao B62B 7/068

(71) Applicant: **CYBEX GmbH**, Bayreuth (DE)

* cited by examiner

(72) Inventors: **Peter Koller**, Bayreuth (DE); **Petra Napier**, Bayreuth (DE)

Primary Examiner — George D. Kirschbaum

(73) Assignee: **CYBEX GmbH**, Bayreuth (DE)

Assistant Examiner — Joseph J Kukella

(**) Term: **15 Years**

(74) *Attorney, Agent, or Firm* — Boyle Fredrickson S.C.

(21) Appl. No.: **35/508,858**

(22) Filed: **Sep. 19, 2019**

(57) **CLAIM**

(80) **Hague Agreement Data**

Int. Filing Date: **Sep. 19, 2019**
 Int. Reg. No.: **DM/205494**
 Int. Reg. Date: **Sep. 19, 2019**
 Int. Reg. Pub. Date: **Mar. 20, 2020**

The ornamental design for a stroller frame for children, as shown and described.

(51) **LOC (13) Cl.** **12-12**

(52) **U.S. Cl.**
USPC **D12/129**

(58) **Field of Classification Search**
 USPC D12/128–133
 CPC B62B 7/06–105
 See application file for complete search history.

DESCRIPTION

(56) **References Cited**

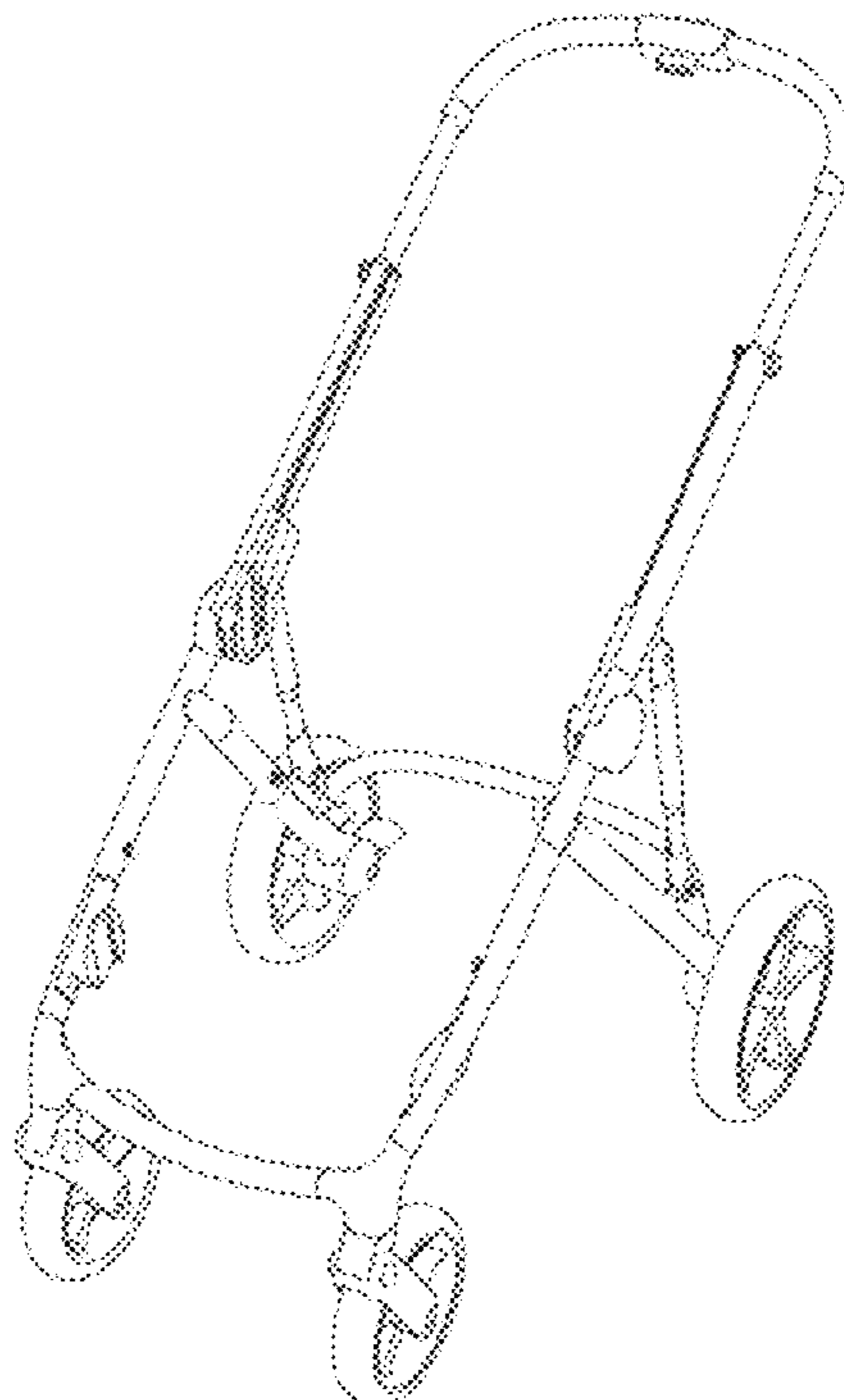
U.S. PATENT DOCUMENTS

D621,306 S * 8/2010 Liao D12/129
 D836,498 S * 12/2018 Hauser D12/129
 D840,280 S * 2/2019 Zhou D12/129
 D875,618 S * 2/2020 Hauser D12/129

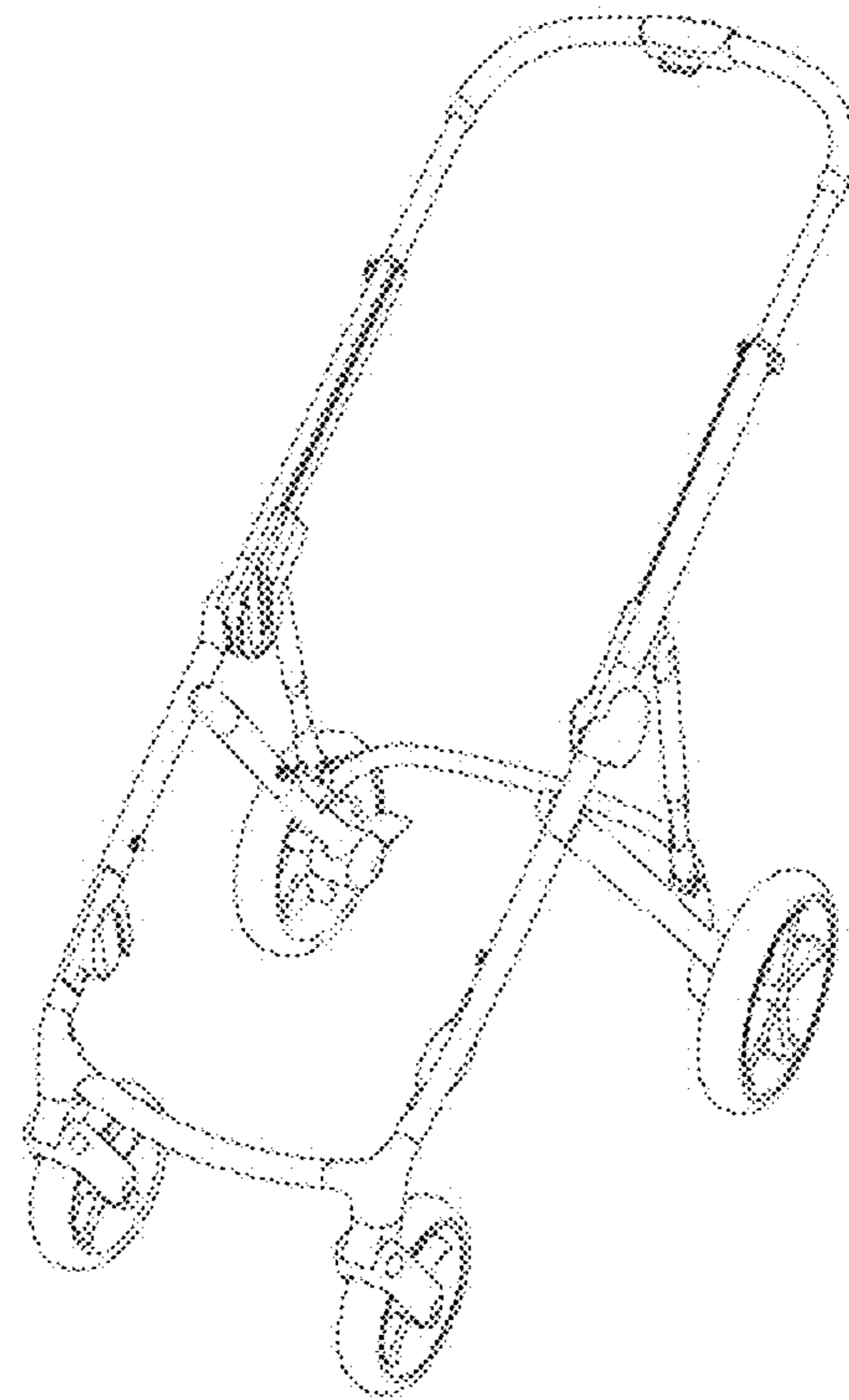
- 1. Stroller frame for children
- 1.1 : Perspective
- 1.2 : Left
- 1.3 : Right
- 1.4 : Front
- 1.5 : Back
- 1.6 : Bottom
- 1.7 : Top

Stroller frame for children.

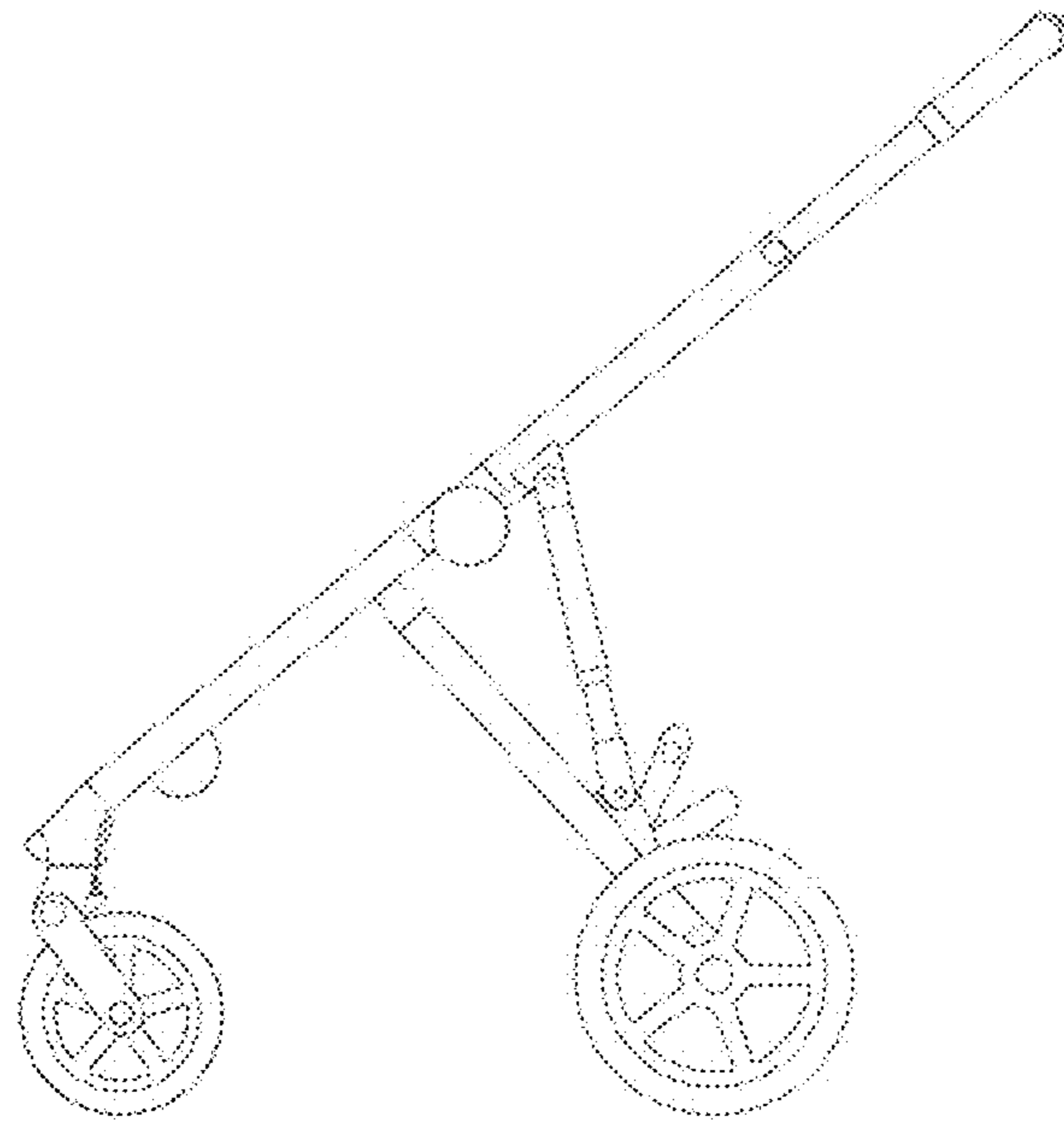
1 Claim, 7 Drawing Sheets



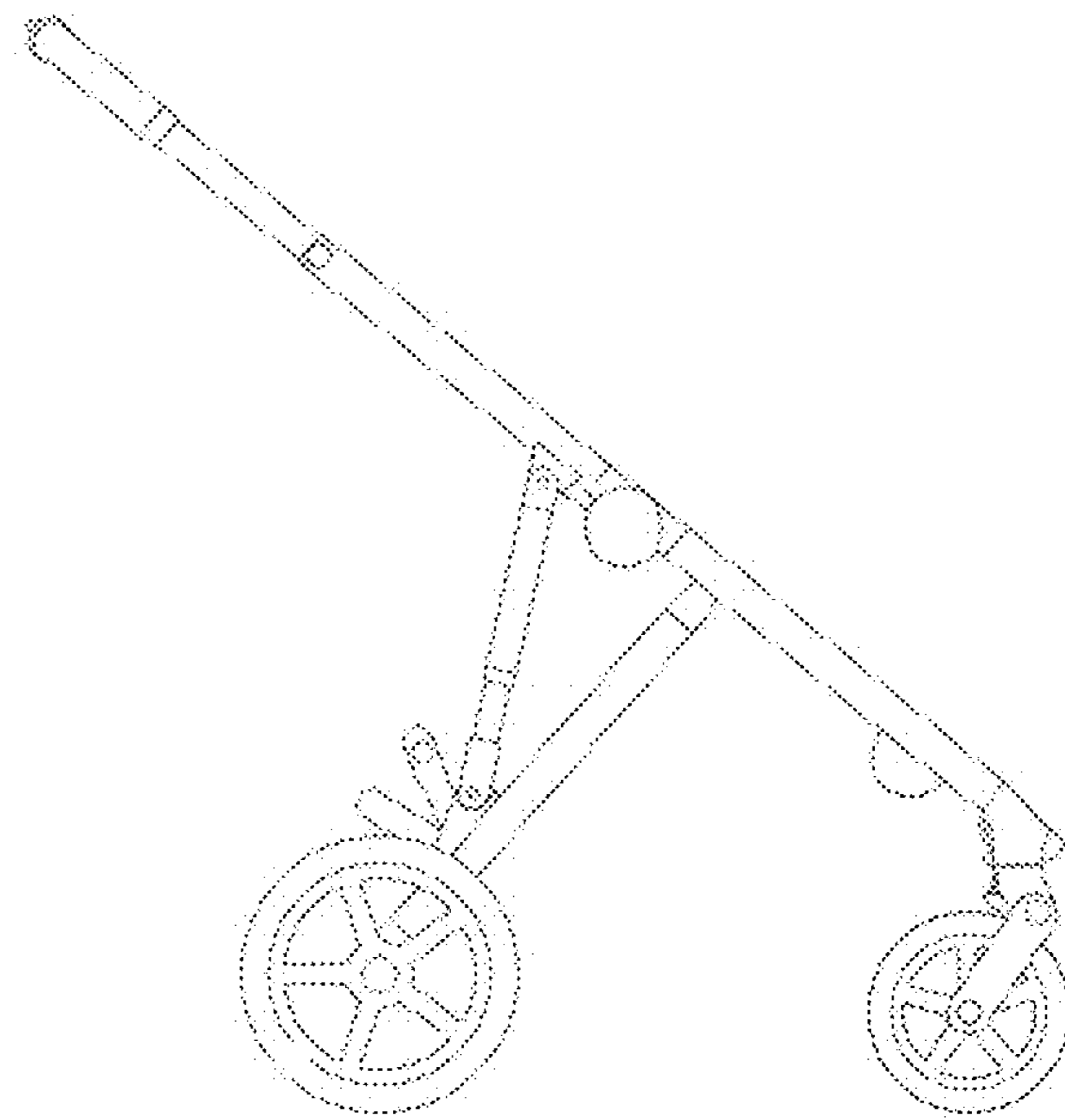
1.1



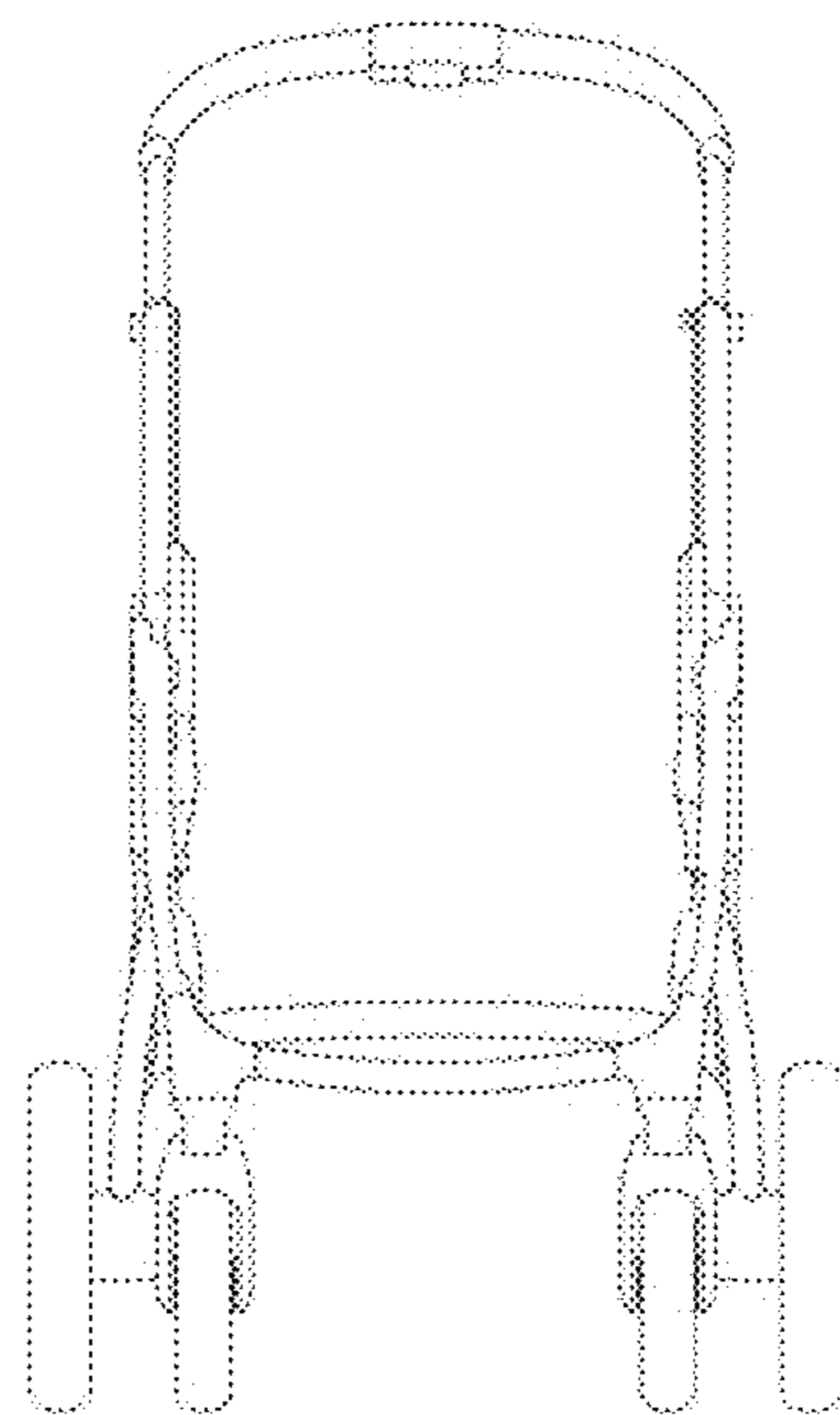
1.2



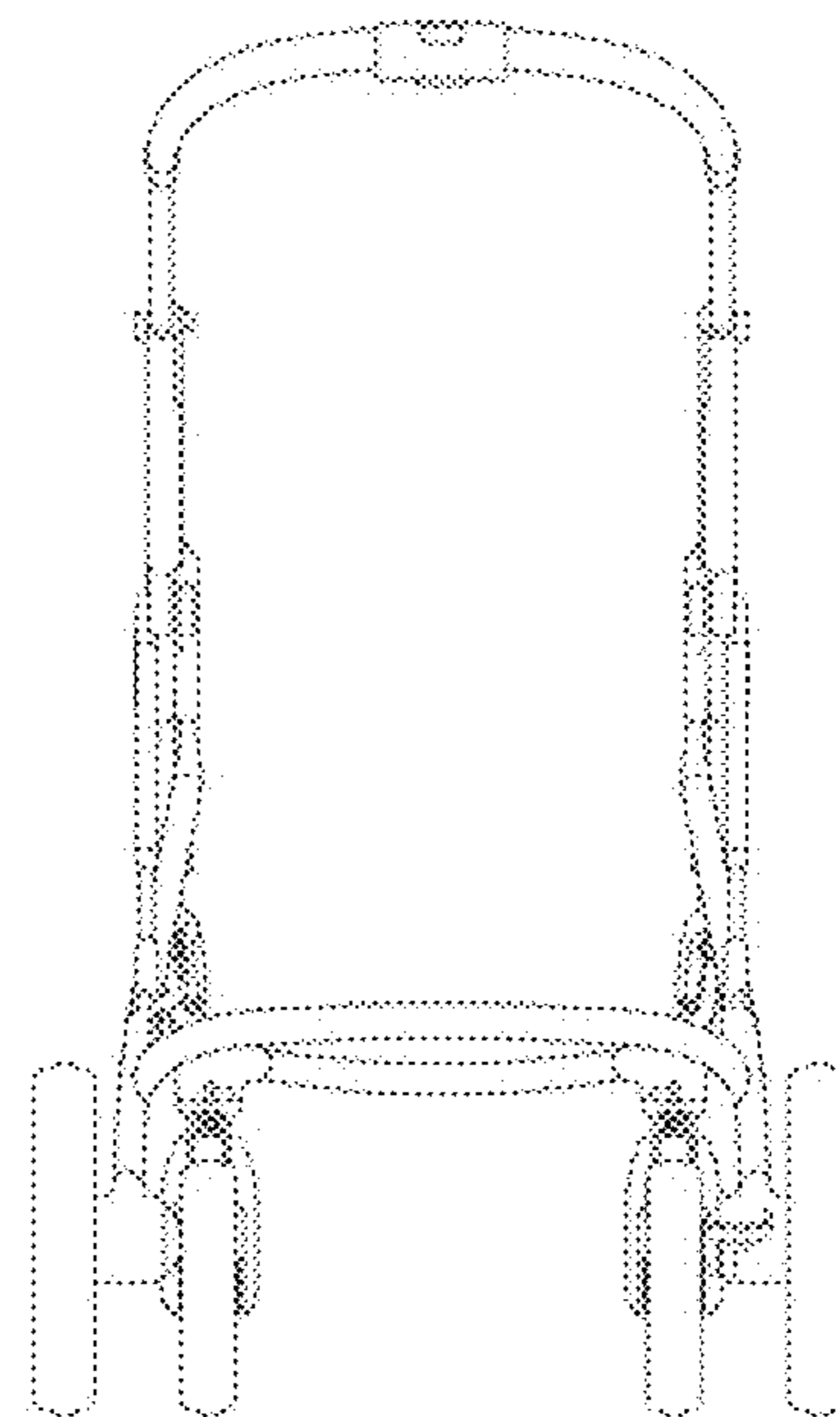
1.3



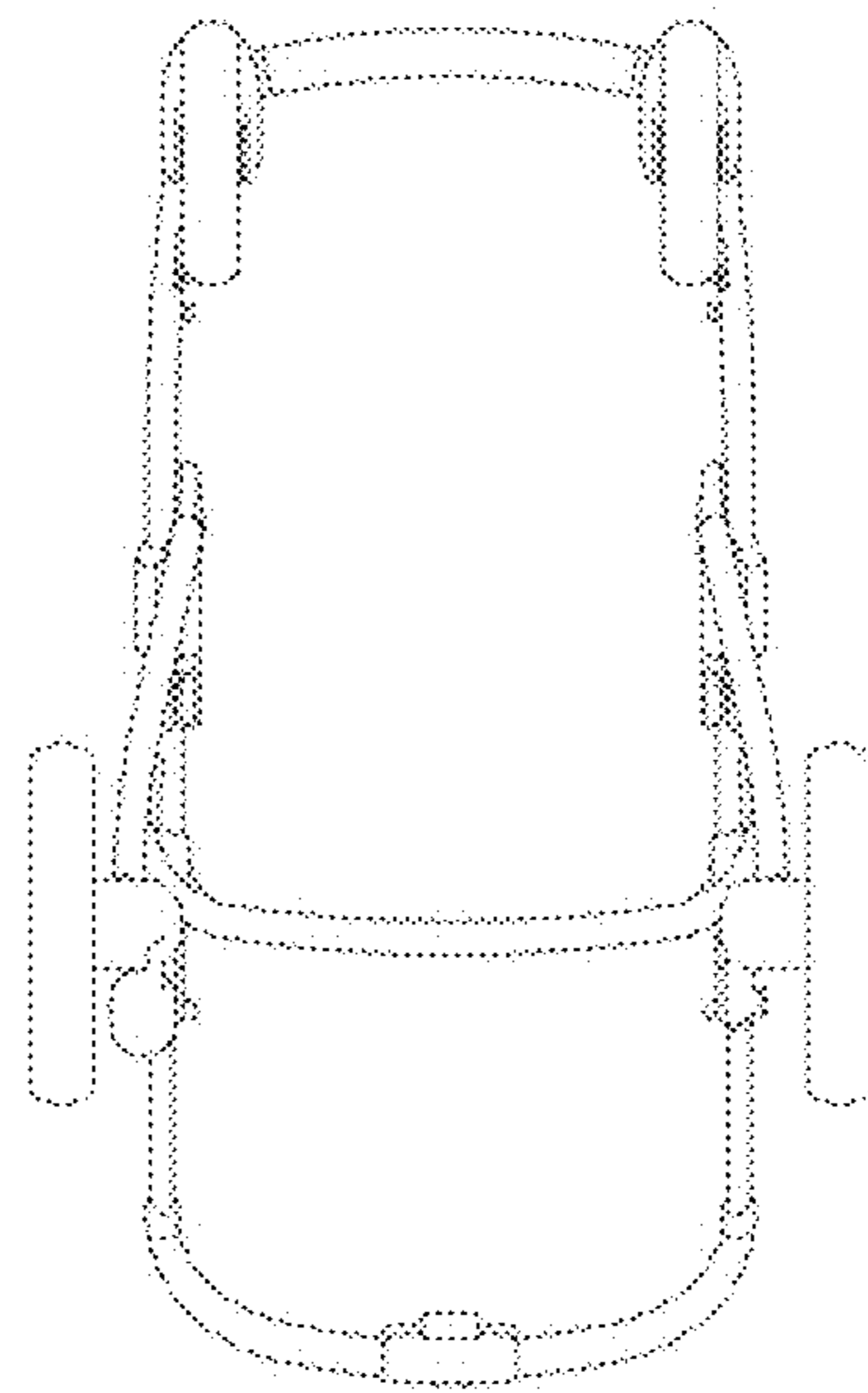
1.4



1.5



1.6



1.7

