



US00D919483S

(12) **United States Design Patent**  
**Uimonen et al.**

(10) **Patent No.:** **US D919,483 S**

(45) **Date of Patent:** **\*\* May 18, 2021**

- (54) **BIKE FRAME**
- (71) Applicant: **MOBILITY HOLDINGS, LIMITED,**  
Hong Kong (CN)
- (72) Inventors: **Joakim Uimonen,** Hong Kong (CN);  
**Eric Yi-Hung Lin,** Hong Kong (CN)
- (73) Assignee: **Mobility Holdings, Limited,** Causeway  
Bay (HK)
- (\*\*) Term: **15 Years**
- (21) Appl. No.: **29/707,726**
- (22) Filed: **Sep. 30, 2019**
- (51) **LOC (13) Cl.** ..... **12-11**
- (52) **U.S. Cl.**  
USPC ..... **D12/111**
- (58) **Field of Classification Search**  
USPC ..... D12/111, 117; D21/412, 414, 419,  
D21/423-428, 431-435  
CPC ..... B62K 3/00; B62K 3/02; B62K 3/06  
See application file for complete search history.

D621,302 S *	8/2010	Tanaka	.....	D12/111
D625,228 S *	10/2010	Lockart	.....	D12/111
D634,673 S *	3/2011	Lockart	.....	D12/111
7,963,357 B2 *	6/2011	Gulas	.....	B62K 25/283 180/206.5
D644,962 S *	9/2011	Schoonhoven	.....	D12/111
D670,208 S *	11/2012	Frenzel	.....	D12/111
D690,238 S *	9/2013	Uimonen	.....	D12/111
D690,239 S *	9/2013	Uimonen	.....	D12/111
D727,214 S *	4/2015	Yang	.....	D12/111
D730,779 S *	6/2015	Arbour	.....	D12/111
D745,836 S *	12/2015	Poster	.....	D12/111
D774,972 S *	12/2016	Lambri	.....	D12/111
D789,836 S *	6/2017	Gouin	.....	D12/111
D791,022 S *	7/2017	Lam	.....	D12/111
D828,232 S *	9/2018	Berkes	.....	D12/111
D829,131 S *	9/2018	Schieffelin	.....	D12/111
D842,761 S *	3/2019	Uimonen	.....	D12/111
D854,969 S *	7/2019	Gouin	.....	D12/111
D883,181 S *	5/2020	Uimonen	.....	D12/406

(Continued)

*Primary Examiner* — Darlington Ly

(74) *Attorney, Agent, or Firm* — Muncy, Geissler, Olds & Lowe, P.C.

(57) **CLAIM**

The ornamental design for a bike frame, as shown and described.

**DESCRIPTION**

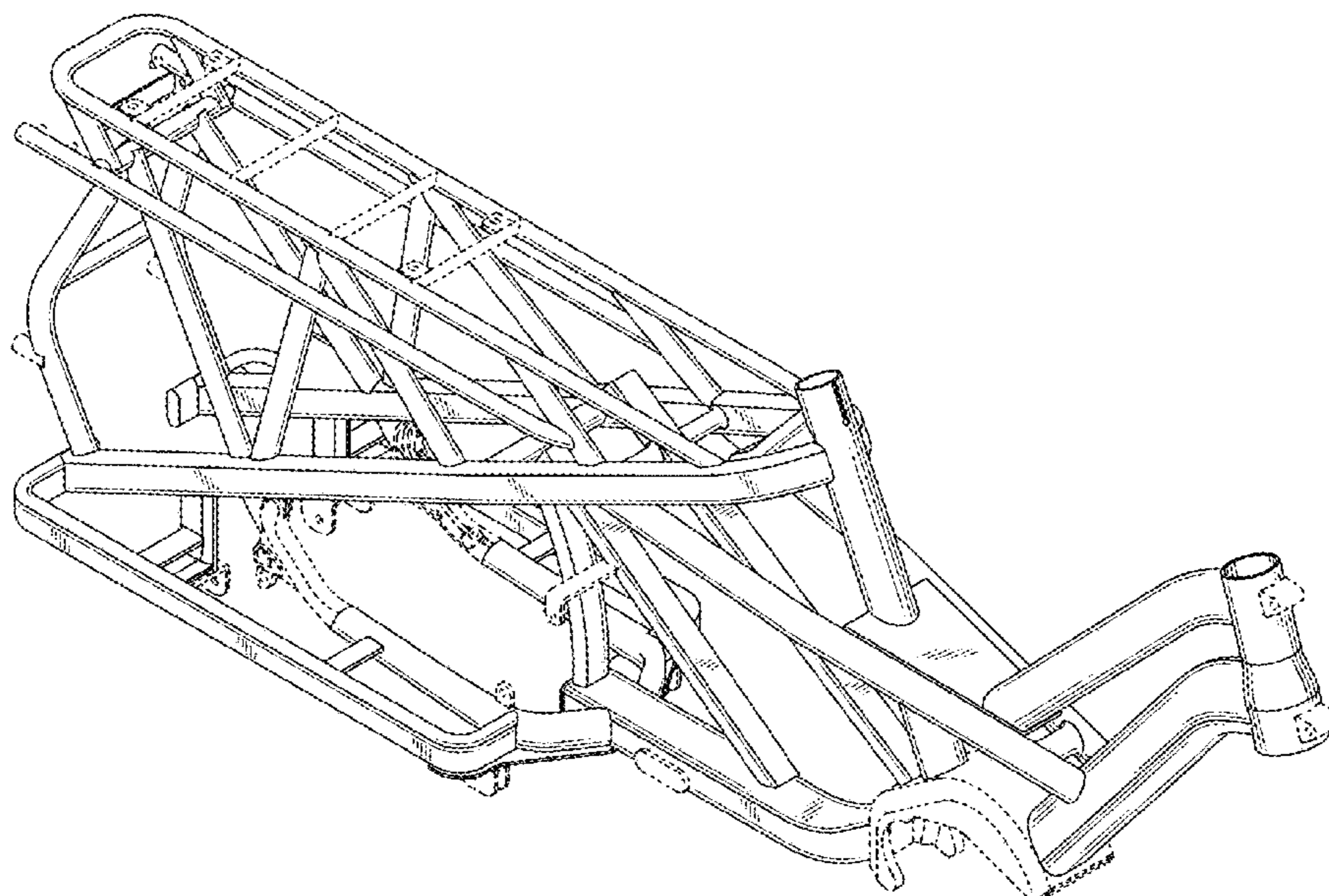
FIG. 1 is a perspective view of a bike frame embodying our new design;  
 FIG. 2 is a right side elevation view thereof;  
 FIG. 3 is a left side elevation view thereof;  
 FIG. 4 is a rear elevation view thereof;  
 FIG. 5 is a front elevation view thereof;  
 FIG. 6 is a top plan view thereof; and,  
 FIG. 7 is a bottom plan view thereof.  
 The broken lines in the drawings illustrate portions of the bike frame that form no part of the claimed design.

**1 Claim, 6 Drawing Sheets**

(56) **References Cited**

U.S. PATENT DOCUMENTS

D253,102 S *	10/1979	Hahn	.....	D12/110
D291,291 S *	8/1987	Voytko	.....	D12/111
D414,721 S *	10/1999	Nakamura	.....	D12/110
D441,323 S *	5/2001	Cheng	.....	D12/111
D465,437 S *	11/2002	van der Veer	.....	D12/111
D465,438 S *	11/2002	Masui	.....	D12/111
D472,851 S *	4/2003	Tajima	.....	D12/110
D540,716 S *	4/2007	Mohr	.....	D12/111
D578,042 S *	10/2008	Yang	.....	D12/111
D594,787 S *	6/2009	Dallaire	.....	D12/111
D600,596 S *	9/2009	Walters	.....	D12/111
D610,047 S *	2/2010	Uimonen	.....	D12/111
D620,400 S *	7/2010	Haller	.....	D12/111
D620,401 S *	7/2010	Haller	.....	D12/111



(56)

**References Cited**

U.S. PATENT DOCUMENTS

D886,686	S *	6/2020	Uimonen .....	D12/111
D901,336	S *	11/2020	Kuehne .....	D12/111
D902,084	S *	11/2020	Gauthier .....	D12/111
D903,532	S *	12/2020	Ma .....	D12/111
D906,183	S *	12/2020	Uimonen .....	D12/111
D910,496	S *	2/2021	Zhu .....	D12/111
D910,497	S *	2/2021	Sun .....	D12/111
2013/0001000	A1 *	1/2013	Krieger .....	B62M 6/45 180/206.3
2014/0209400	A1 *	7/2014	Yao .....	B62M 6/45 180/167

\* cited by examiner

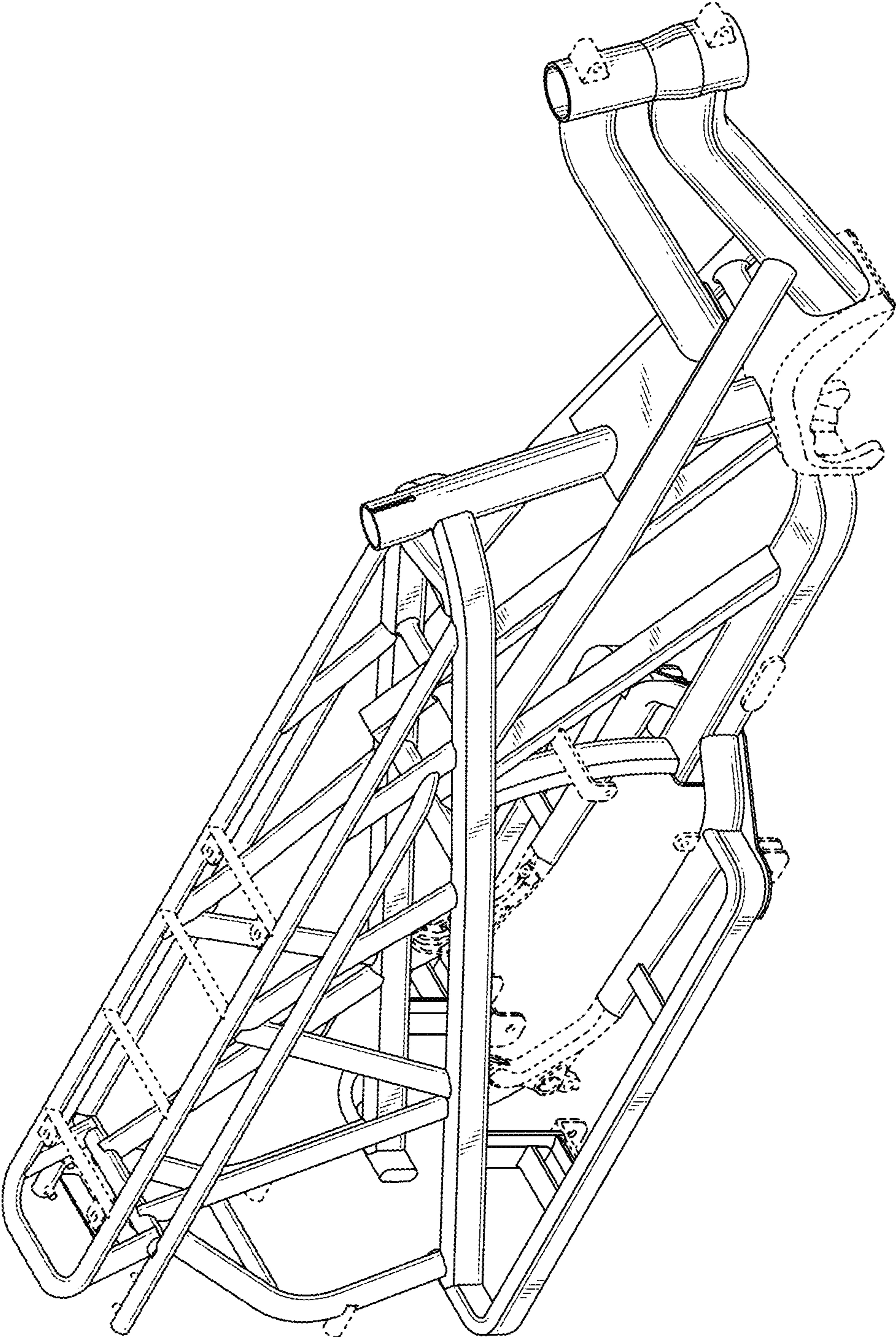


FIG. 1



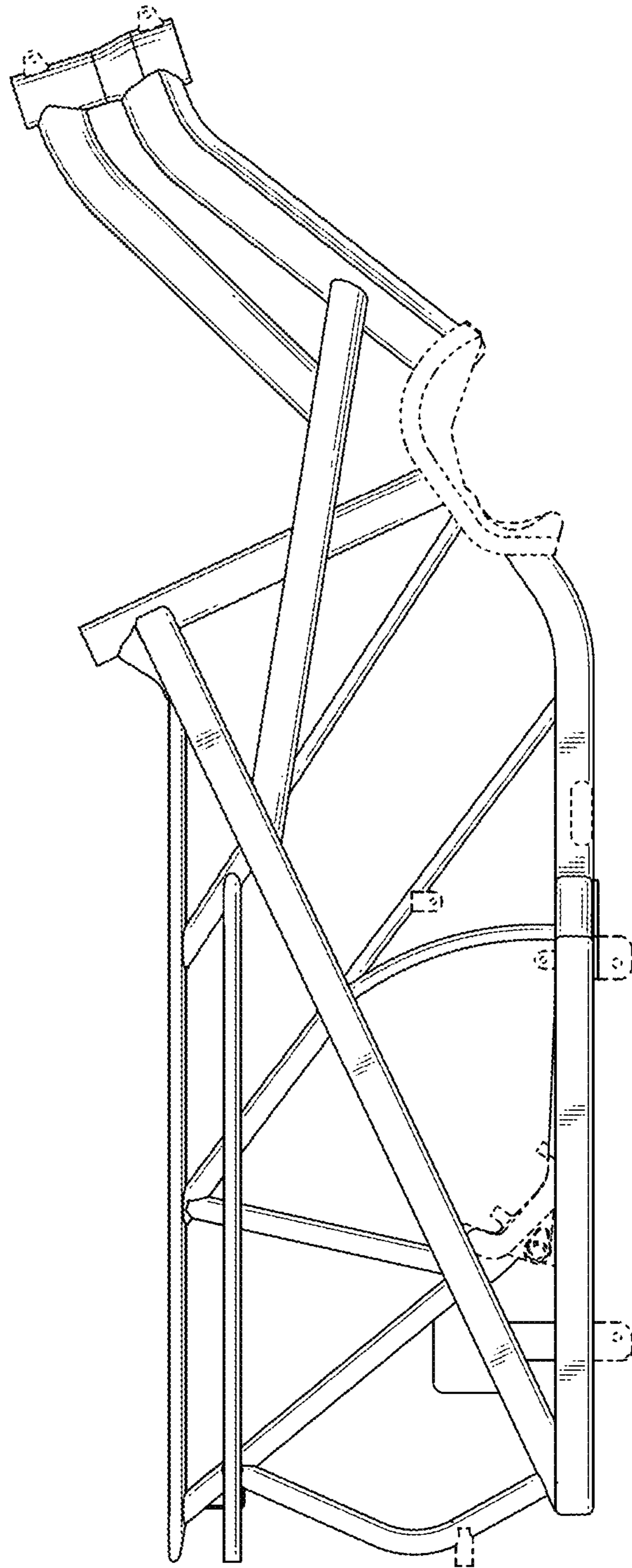


FIG. 2

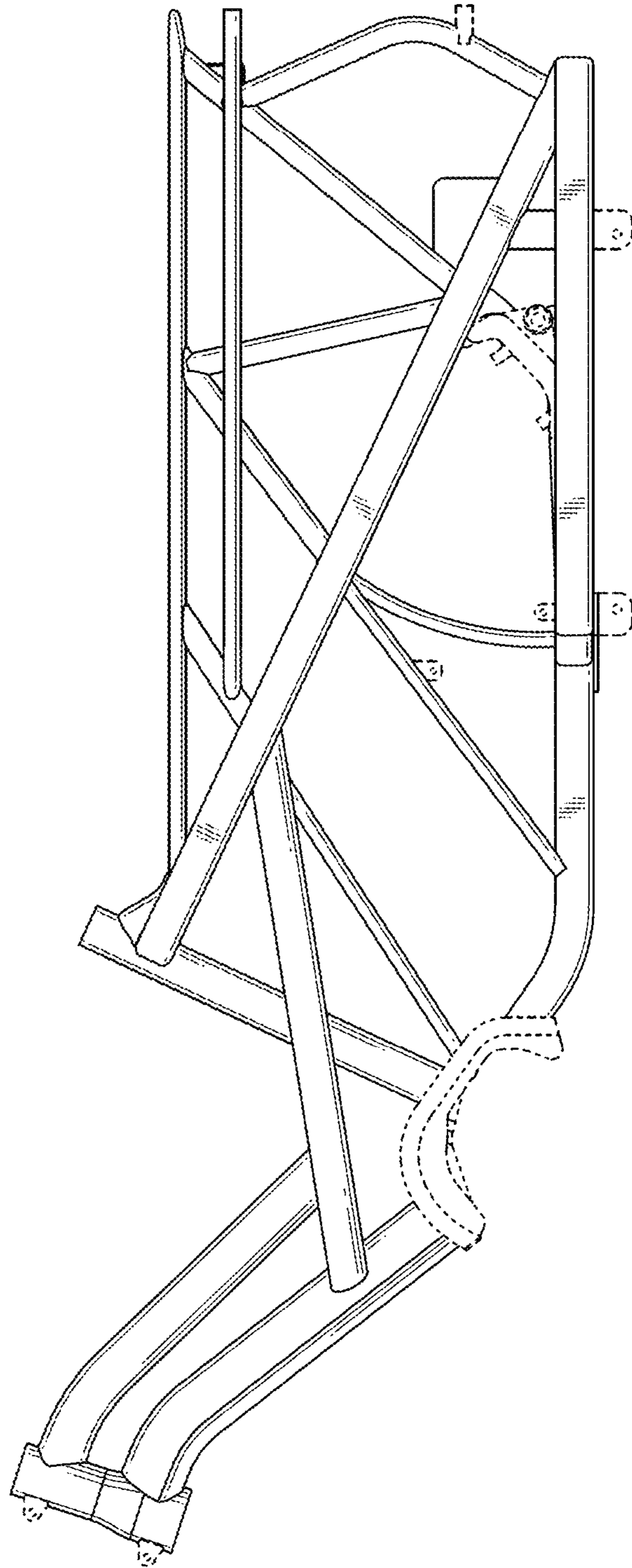


FIG. 3

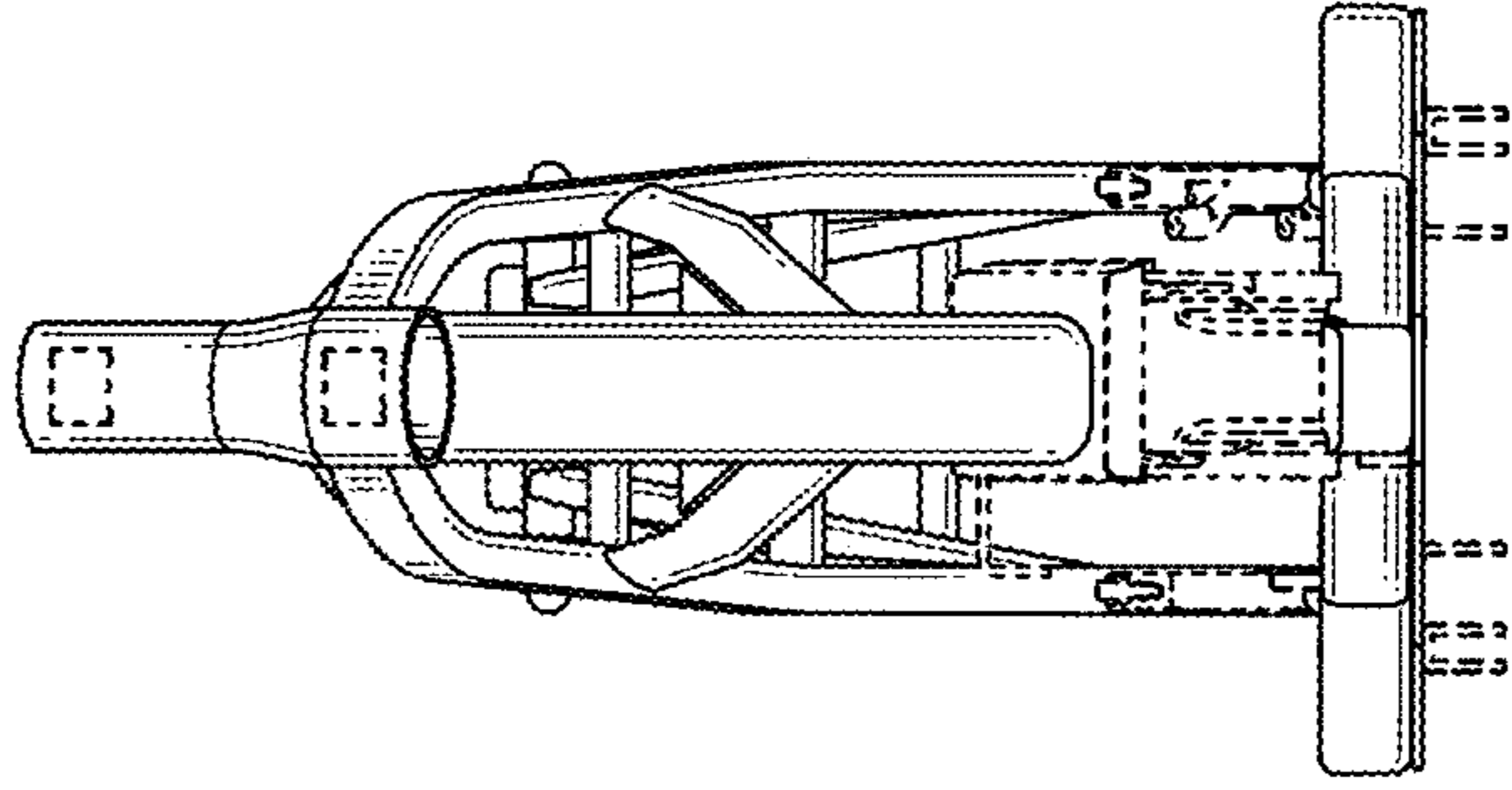


FIG. 5

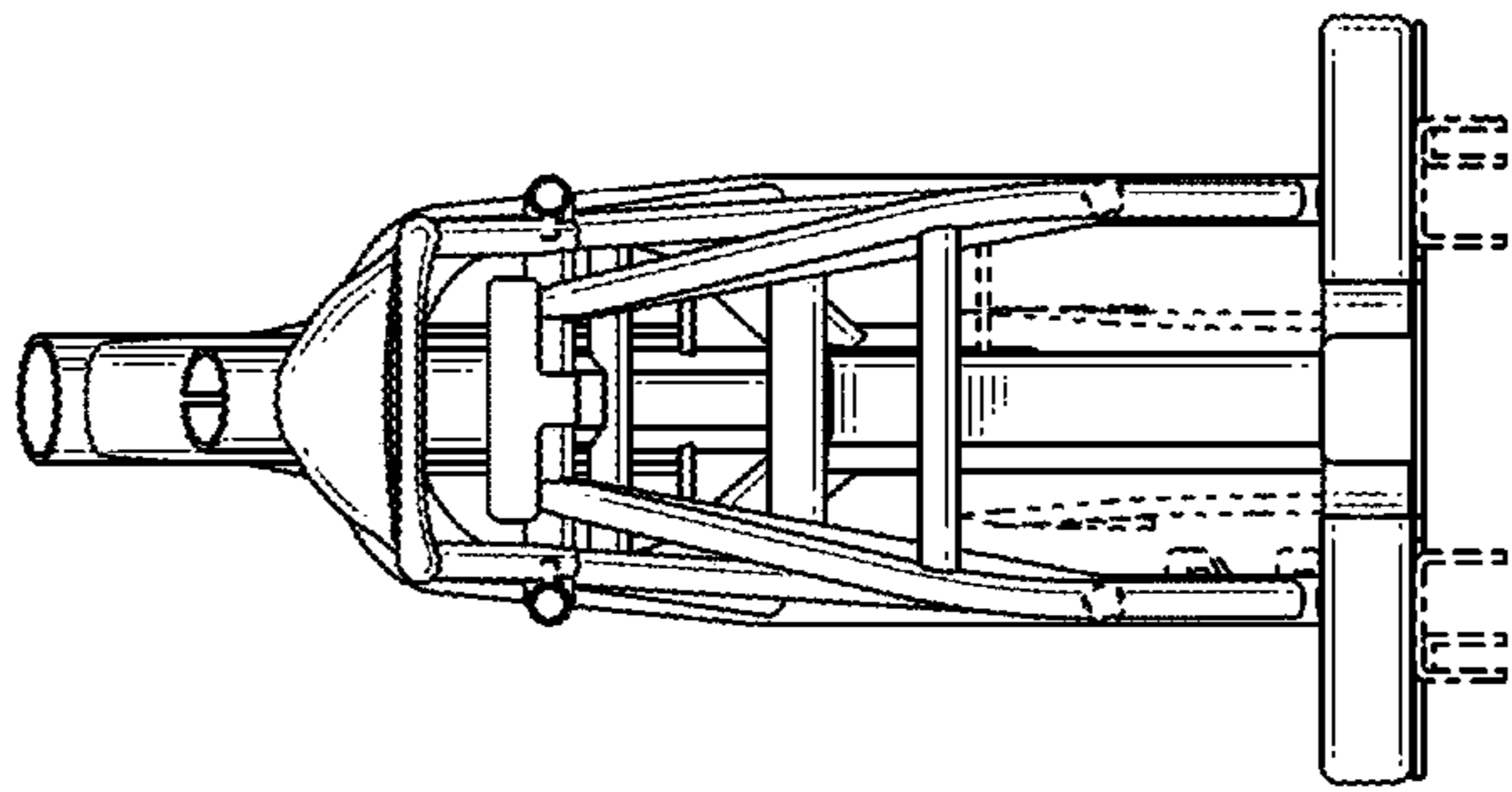


FIG. 4

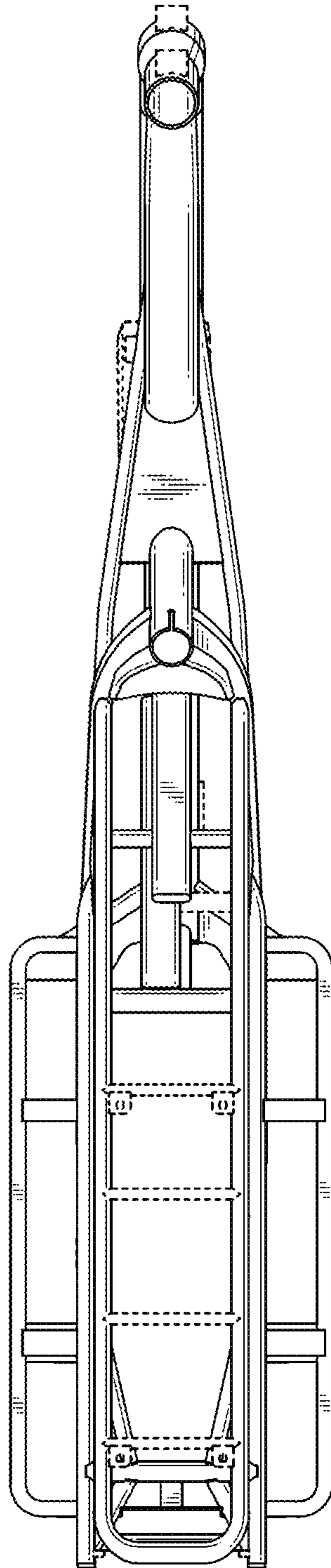


FIG. 6

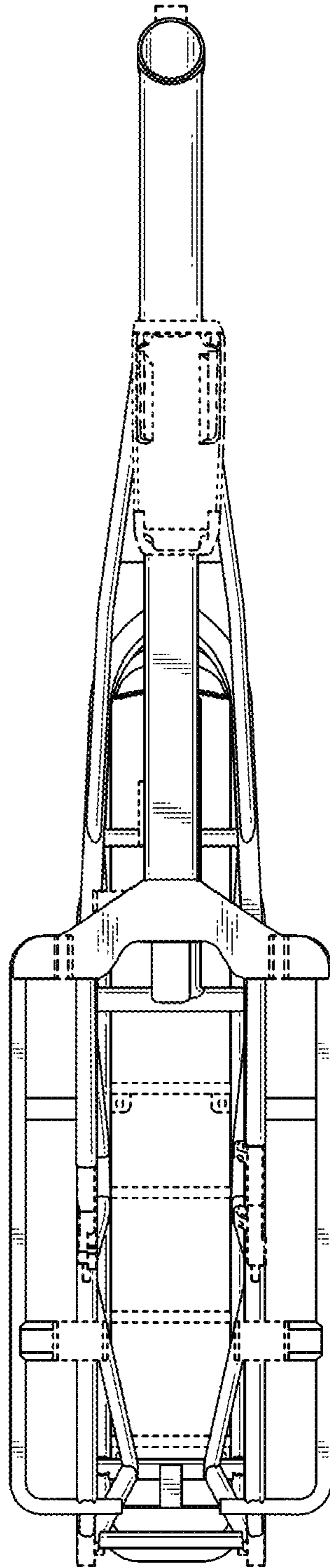


FIG. 7