



US00D919482S

(12) **United States Design Patent**  
**Lin et al.**

(10) **Patent No.:** **US D919,482 S**

(45) **Date of Patent:** **\*\* May 18, 2021**

- (54) **ELECTRIC SCOOTER**
- (71) Applicant: **Supersoco Intelligent Technology (Shanghai) Co., Ltd, Shanghai (CN)**
- (72) Inventors: **Jie Lin, Shanghai (CN); Yongqian Feng, Shanghai (CN)**
- (73) Assignee: **SUPERSOCO INTELLIGENT TECHNOLOGY (SHANGHAI) CO., LTD, Shanghai (CN)**
- (\*\*) Term: **15 Years**
- (21) Appl. No.: **29/702,017**
- (22) Filed: **Aug. 16, 2019**
- (30) **Foreign Application Priority Data**

4,719,983	A *	1/1988	Bruzzone .....	B62K 13/00
				180/183
4,800,980	A *	1/1989	Hideo .....	B62J 7/04
				180/225
D314,166	S *	1/1991	Shively .....	D12/110
D361,741	S *	8/1995	Sofue .....	D12/110
D399,174	S *	10/1998	Takeshita .....	D12/110
D480,661	S *	10/2003	Kawawa .....	D12/110
D490,750	S *	6/2004	Hoshino .....	D12/110
D503,908	S *	4/2005	Tomomatsu .....	D12/110
D514,987	S *	2/2006	Hsiao .....	D12/110
D529,415	S *	10/2006	Shimada .....	D12/110
D537,386	S *	2/2007	Mizuta .....	D12/110
D537,756	S *	3/2007	Kitayama .....	D12/110
D574,300	S *	8/2008	Kitayama .....	D12/110
D602,402	S *	10/2009	Takahashi .....	D12/110
D610,490	S *	2/2010	Wong .....	D12/110
D629,721	S *	12/2010	Takeo .....	D12/110
D644,961	S *	9/2011	Watanabe .....	D12/110
D654,402	S *	2/2012	Lambri .....	D12/110
D657,722	S *	4/2012	Lambri .....	D12/110
D662,860	S *	7/2012	Devernay .....	D12/110

(Continued)

Jul. 22, 2019 (CN) ..... 201930391798.0

- (51) **LOC (13) Cl.** ..... **12-11**
- (52) **U.S. Cl.**  
USPC ..... **D12/110**
- (58) **Field of Classification Search**  
USPC ..... D12/110, 111, 117, 128-133; D21/432, D21/538  
CPC ..... B62K 11/00; B62K 11/02; B62K 11/04; B62K 11/10; B62K 17/00; B62K 19/00; B62K 2202/00; A61G 5/04; A61G 5/041-047; A61G 2005/048  
See application file for complete search history.

*Primary Examiner* — Darlington Ly

(74) *Attorney, Agent, or Firm* — McClure, Qualey & Rodack, LLP

(57) **CLAIM**

The ornamental design for an electric scooter, as shown and described.

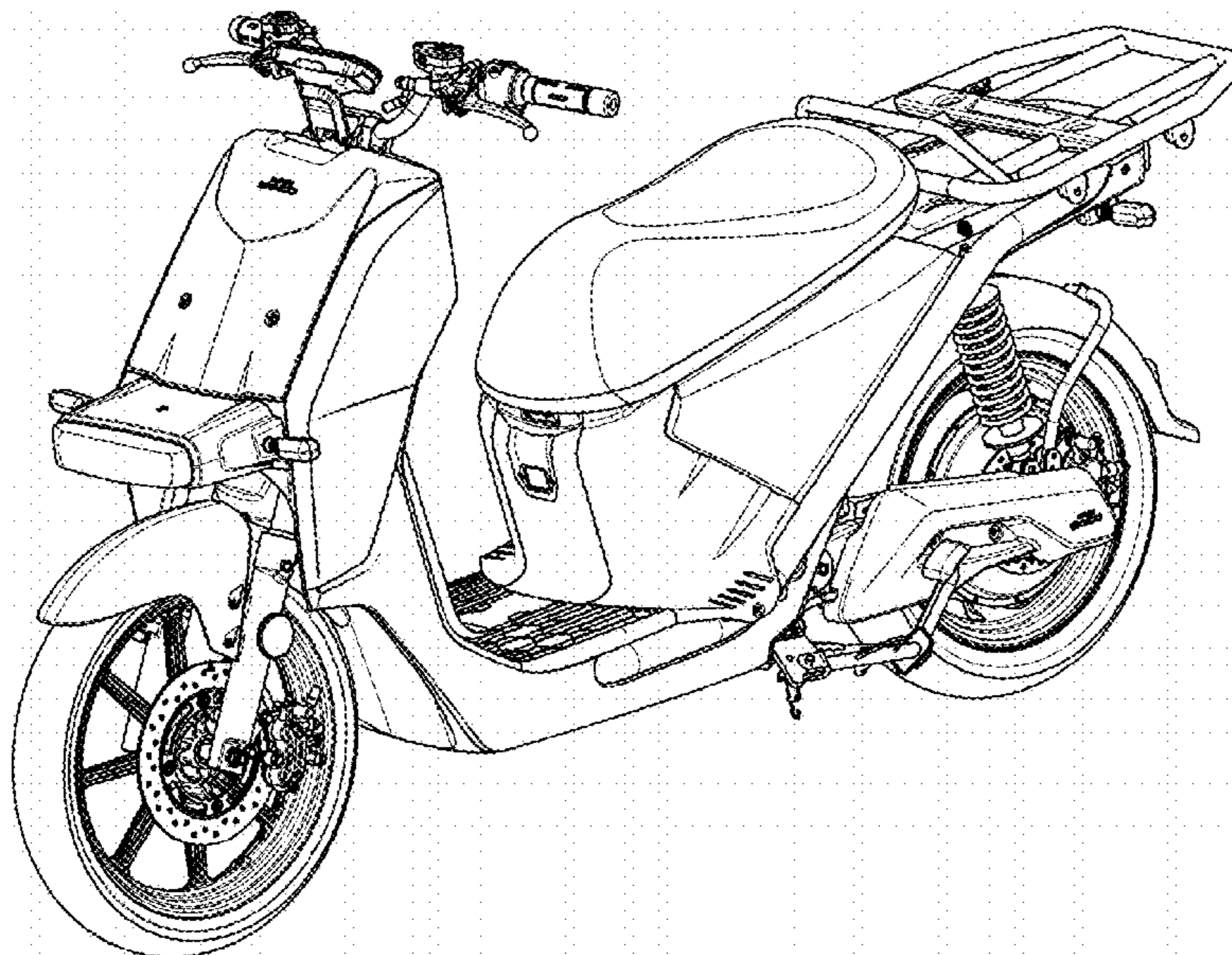
**DESCRIPTION**

FIG. 1 is a top, rear, and right side perspective view of an electric scooter embodying our new design;  
 FIG. 2 is front elevation view thereof;  
 FIG. 3 is a rear elevation view thereof;  
 FIG. 4 is a right side elevation view thereof;  
 FIG. 5 is a left side elevation view thereof;  
 FIG. 6 is a top plan view thereof;  
 FIG. 7 is a bottom plan view thereof; and,  
 FIG. 8 is a top, front, and left side perspective view thereof.

- (56) **References Cited**  
U.S. PATENT DOCUMENTS

4,536,005	A *	8/1985	Tanaka .....	B62J 17/06
				16/334
4,715,465	A *	12/1987	Takahashi .....	B62J 17/00
				180/219

**1 Claim, 8 Drawing Sheets**



(56)

**References Cited**

U.S. PATENT DOCUMENTS

D670,205 S	*	11/2012	Takakuwa .....	D12/110
D678,128 S	*	3/2013	Lambri .....	D12/110
D678,129 S	*	3/2013	Kubota .....	D12/110
D726,076 S	*	4/2015	Arai .....	D12/110

\* cited by examiner

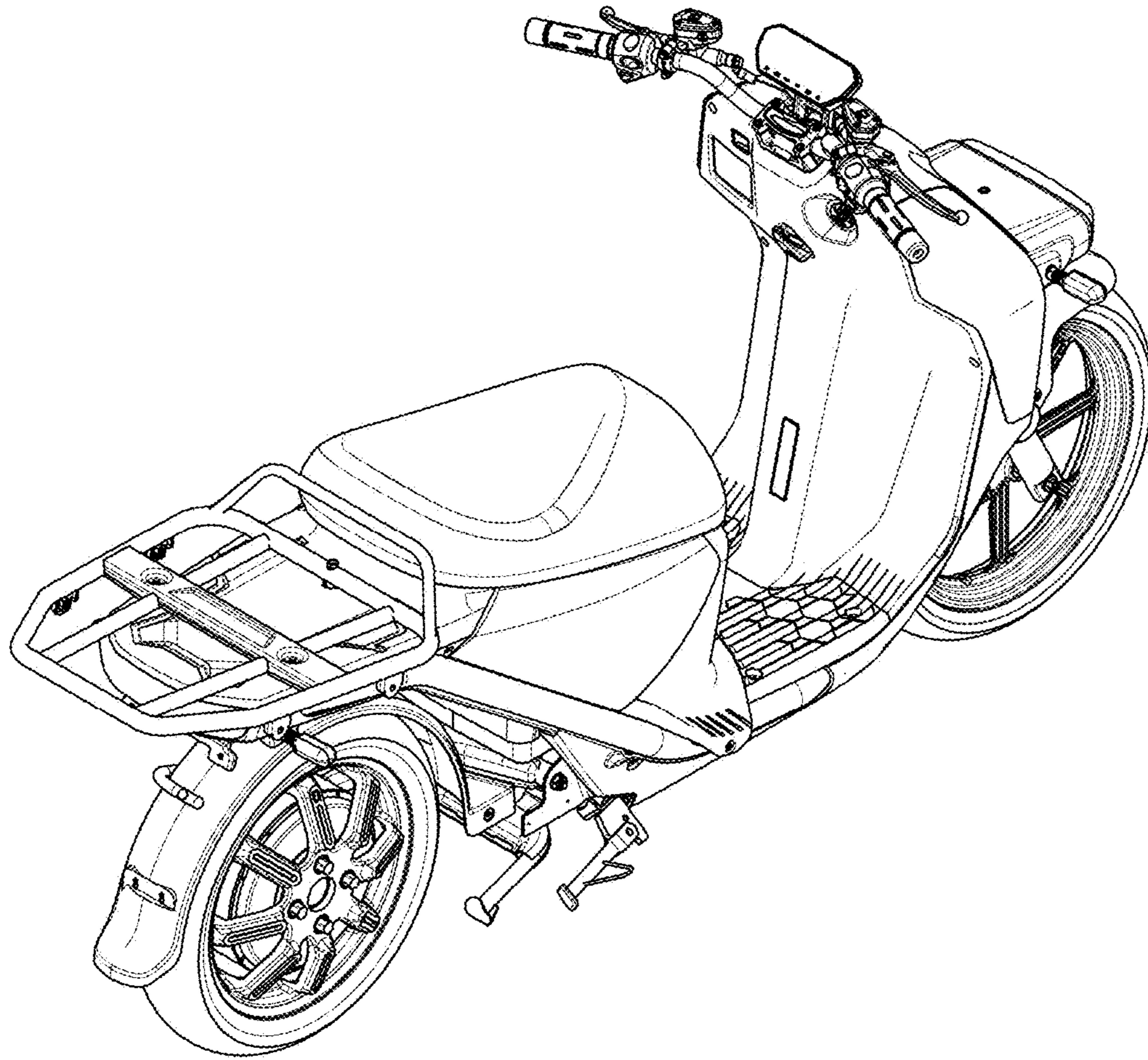
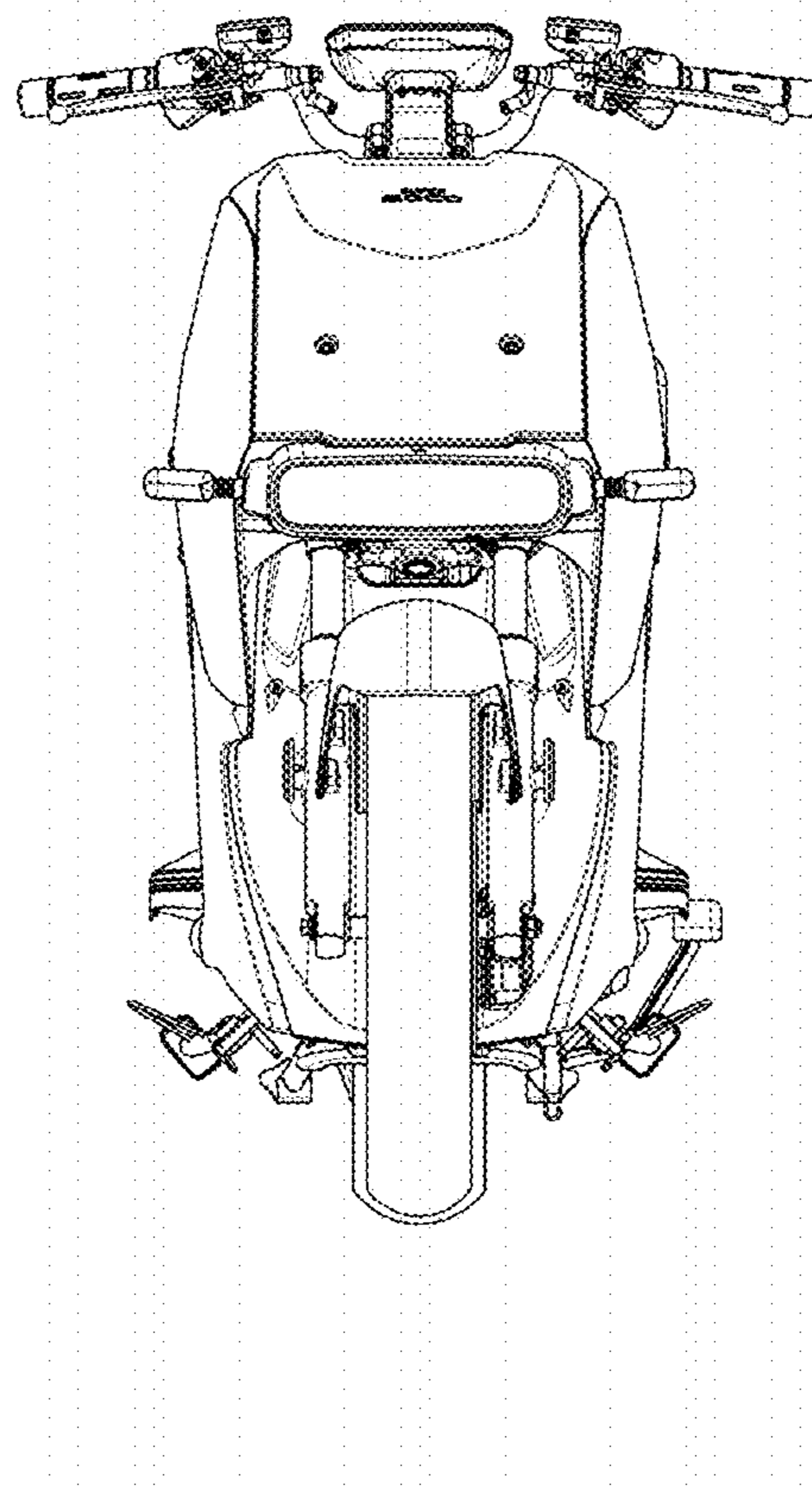
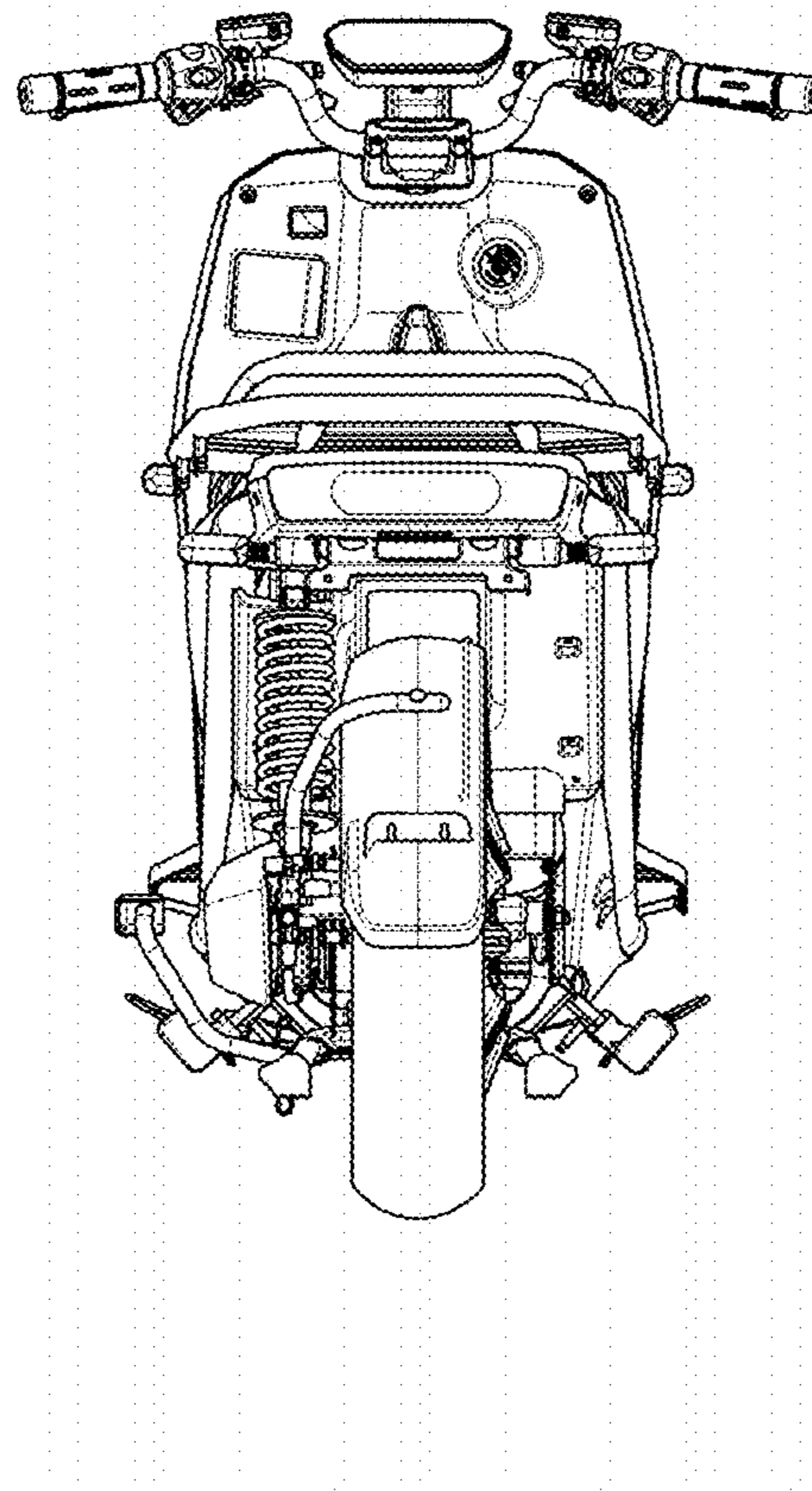


FIG. 1



**FIG. 2**



**FIG. 3**

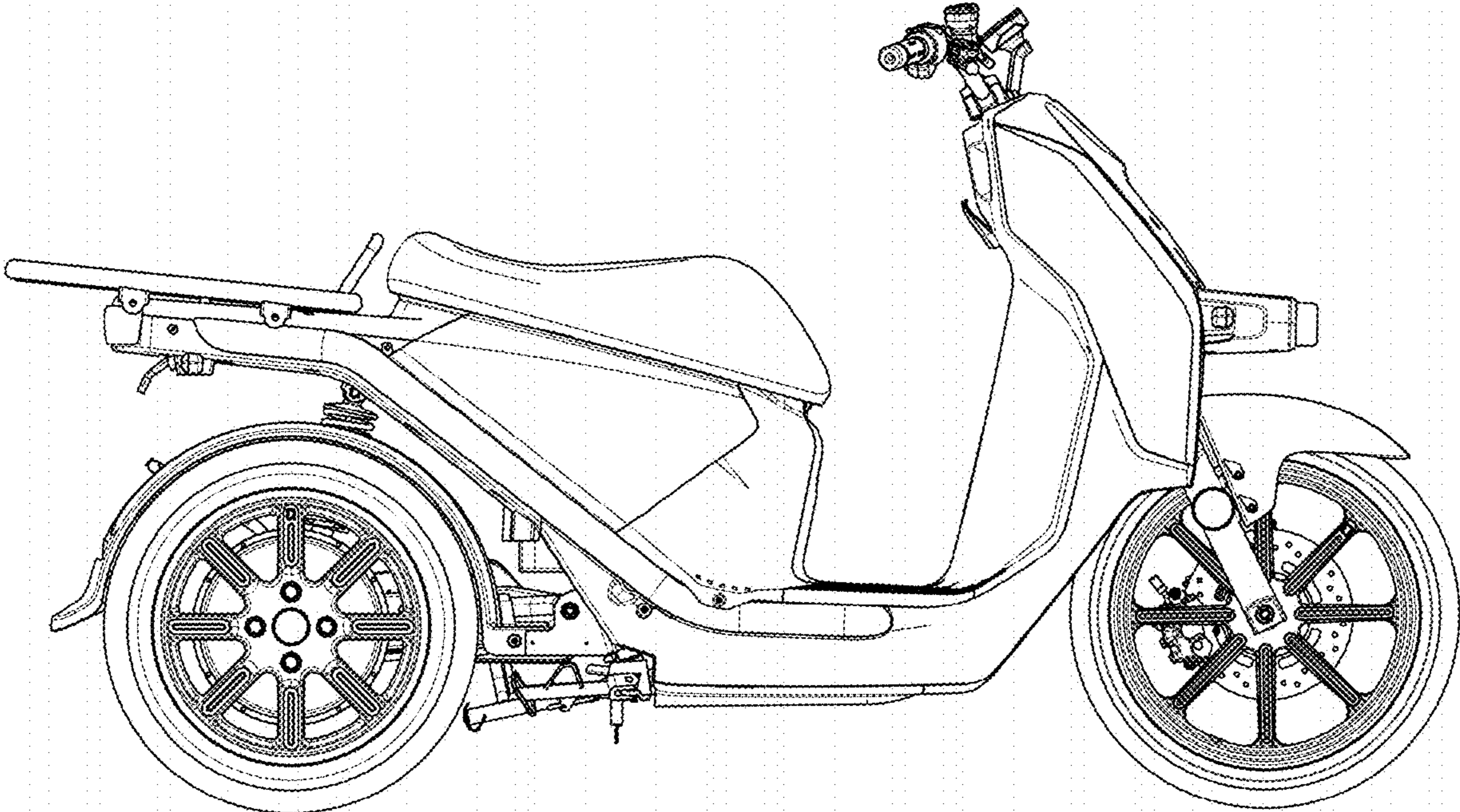


FIG. 4

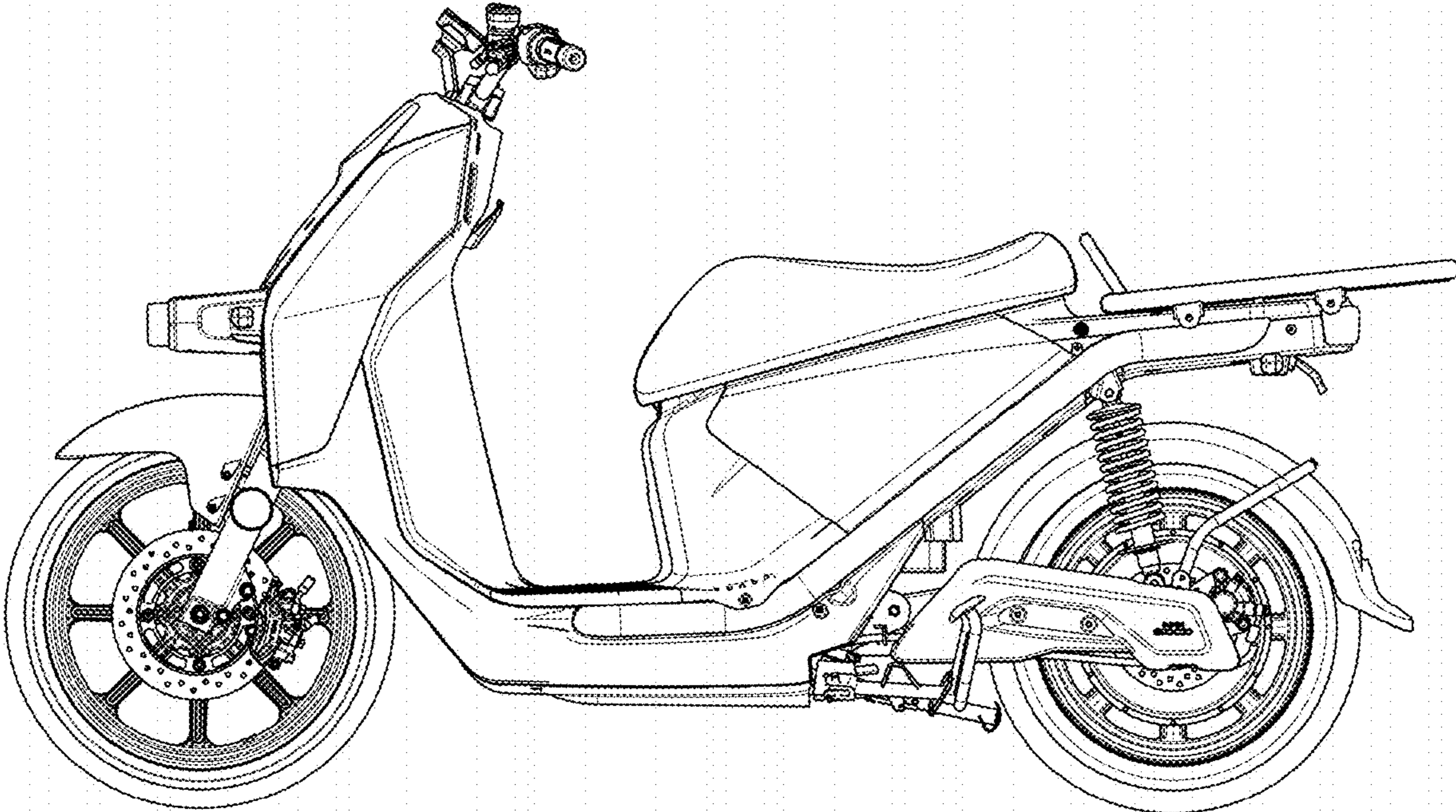


FIG. 5

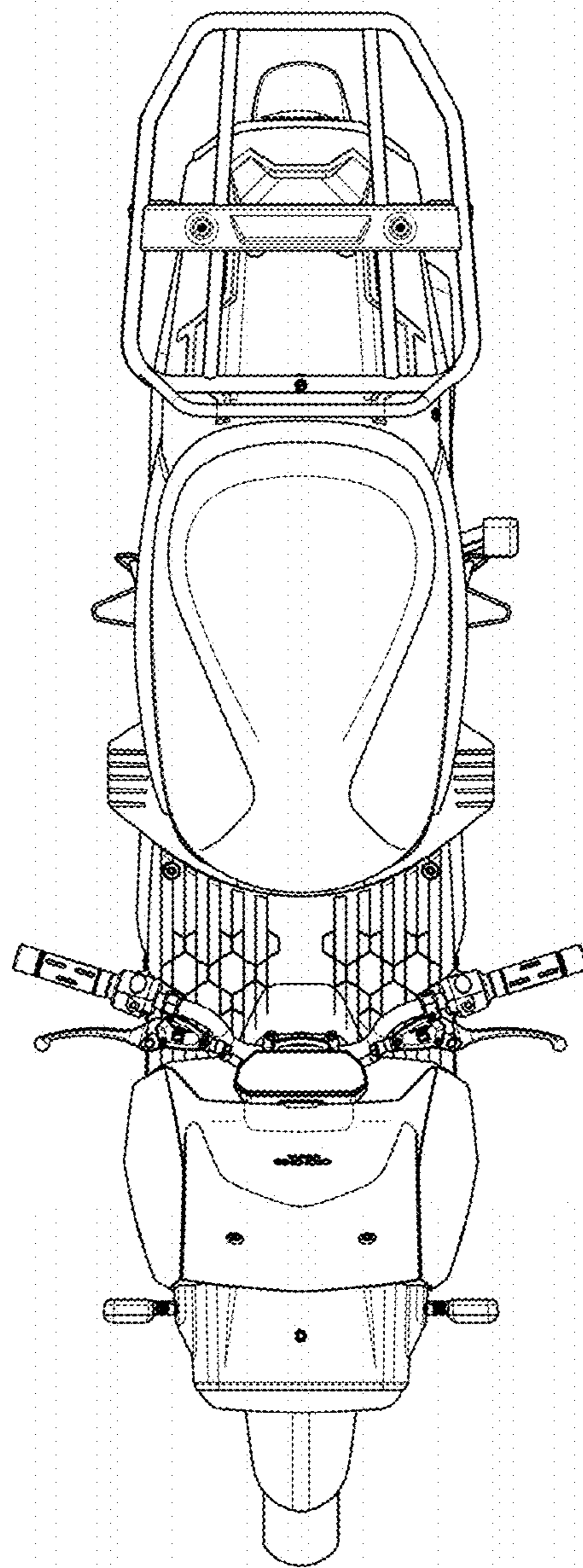


FIG. 6



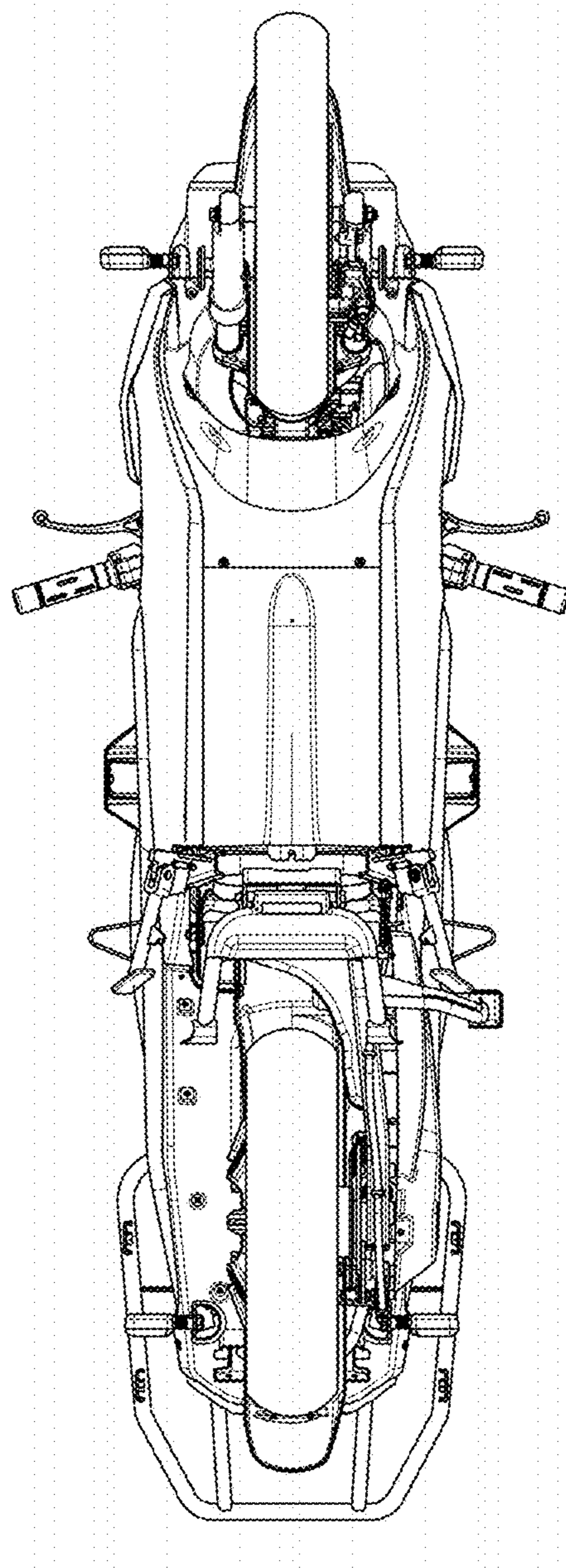


FIG. 7

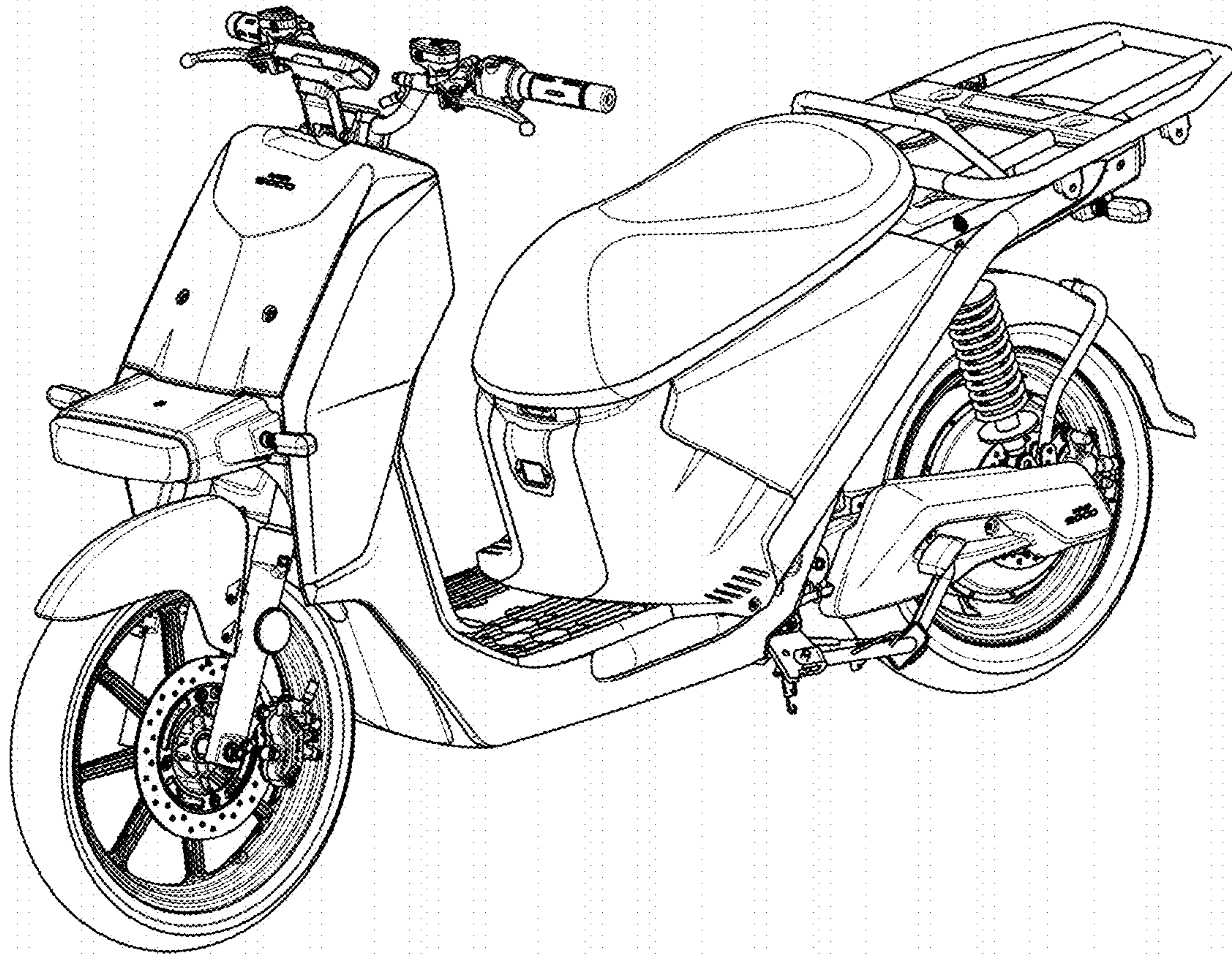


FIG. 8