



US00D919476S

(12) **United States Design Patent** (10) **Patent No.:** **US D919,476 S**
Shah (45) **Date of Patent:** **** May 18, 2021**

(54) **PRECIOUS STONE SETTING**
(71) Applicant: **KGS Jewels Inc.**, New York, NY (US)
(72) Inventor: **Pranav Shah**, New York, NY (US)
(73) Assignee: **KGS JEWELS INC.**, New York, NY (US)

D642,088 S * 7/2011 Kothari D11/91
D679,215 S * 4/2013 Roehl D11/91
D751,939 S * 3/2016 Vartanian D11/1
D751,945 S * 3/2016 Yep D11/92
D783,446 S * 4/2017 Kothari D11/91
D826,081 S * 8/2018 Shah D11/91
D849,594 S * 5/2019 Pereira D11/92
D851,534 S * 6/2019 Bhosale D11/91

* cited by examiner

(**) Term: **15 Years**

Primary Examiner — Llorellys Martinez

(21) Appl. No.: **29/687,503**

(74) *Attorney, Agent, or Firm* — Ostrolenk Faber LLP

(22) Filed: **Apr. 12, 2019**

(57) **CLAIM**

(51) **LOC (13) Cl.** **11-01**

The ornamental design for a precious stone setting, as shown and described.

(52) **U.S. Cl.**

USPC **D11/91**

(58) **Field of Classification Search**

DESCRIPTION

USPC D11/1–6, 26, 34, 79, 86, 90, 91, 92
CPC A44C 17/00; A44C 17/001; A44C 17/005;
A44C 17/02; A44C 17/0275; A44C
17/0283; A44C 17/0291; A44C 25/001;
A44C 1/00

FIG. 1 is a perspective view of a precious stone setting showing my new design;
FIG. 2 is another perspective view thereof;
FIG. 3 is a top view thereof;
FIG. 4 is a front side view thereof, the rear, left side and right side views being identical thereto;
FIG. 5 is a bottom view of FIG. 1; and,
FIG. 6 is a cross-sectional view thereof, taken along lines 6-6 in FIG. 3.

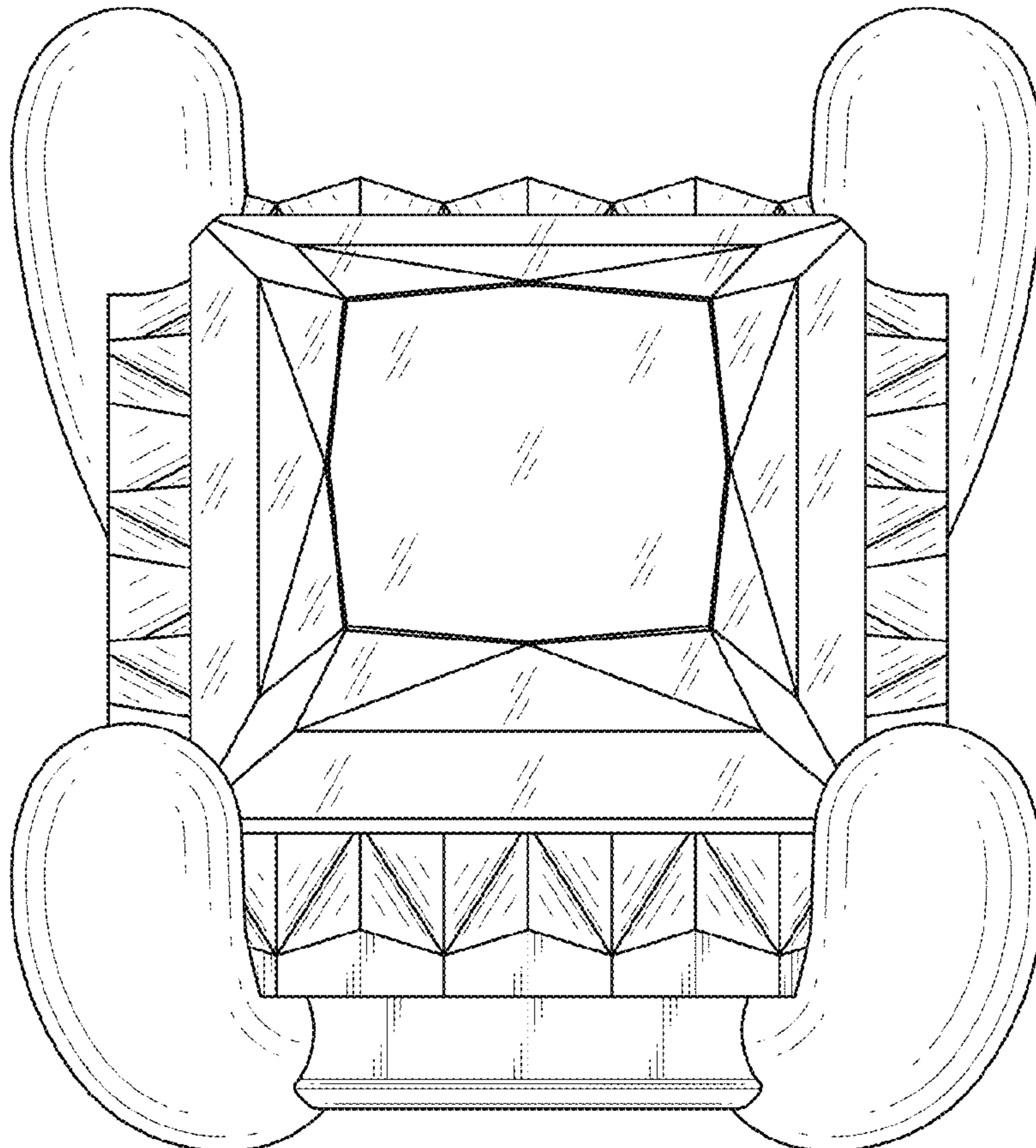
See application file for complete search history.

(56) **References Cited**

U.S. PATENT DOCUMENTS

D130,419 S * 11/1941 Schaeffer D11/92
D463,754 S * 10/2002 Pinto D11/91

1 Claim, 6 Drawing Sheets



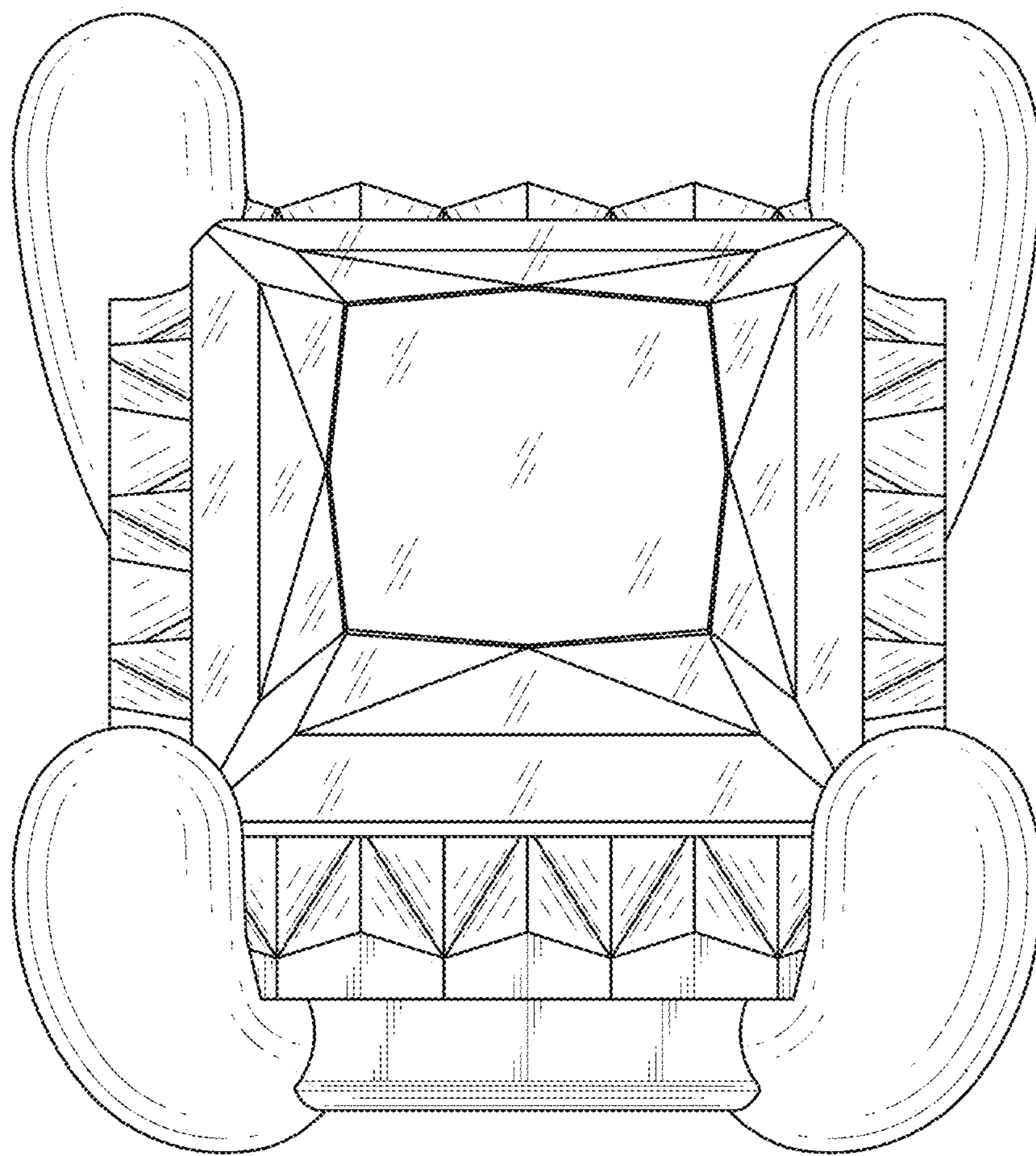


FIG. 1

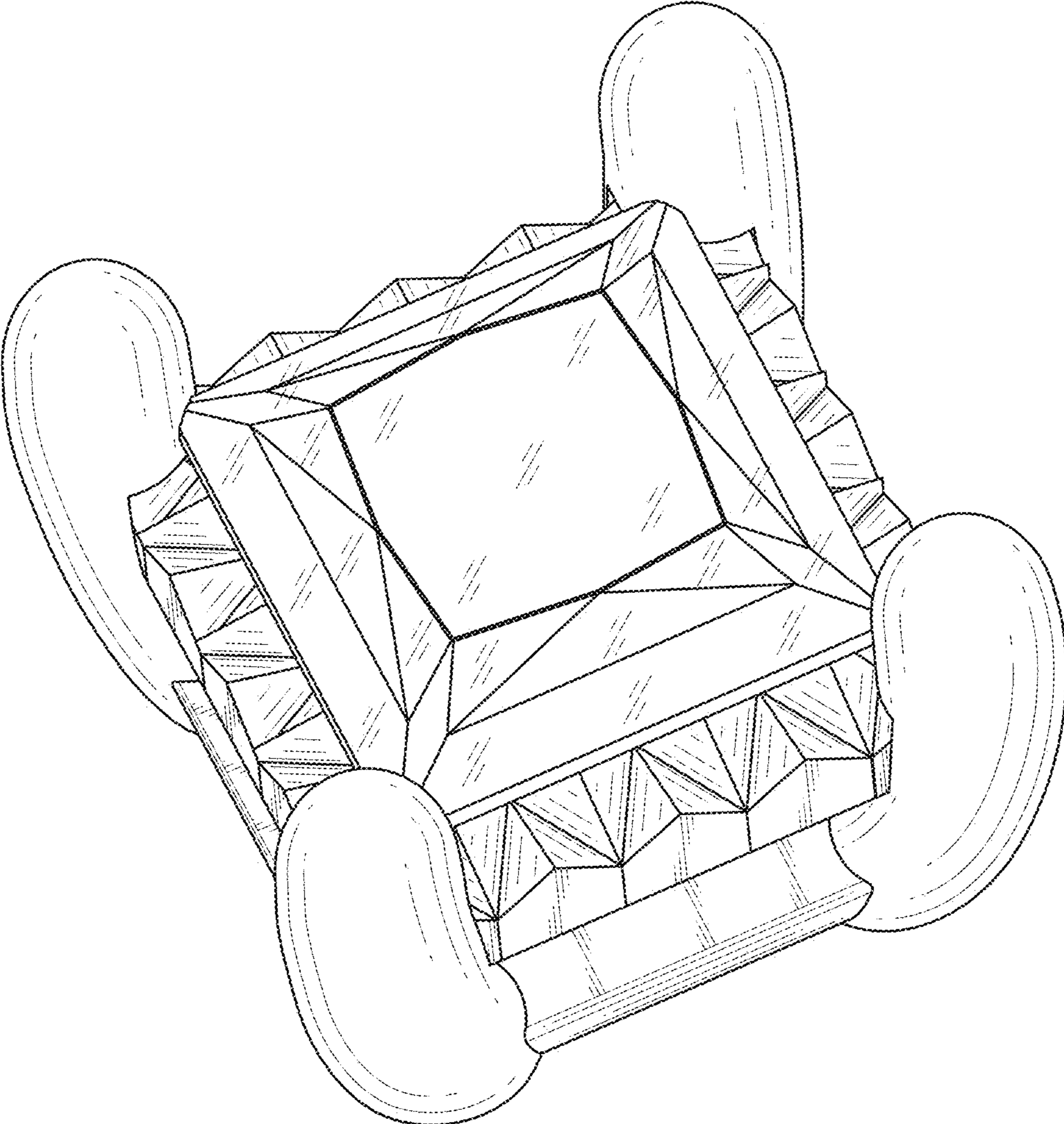


FIG. 2

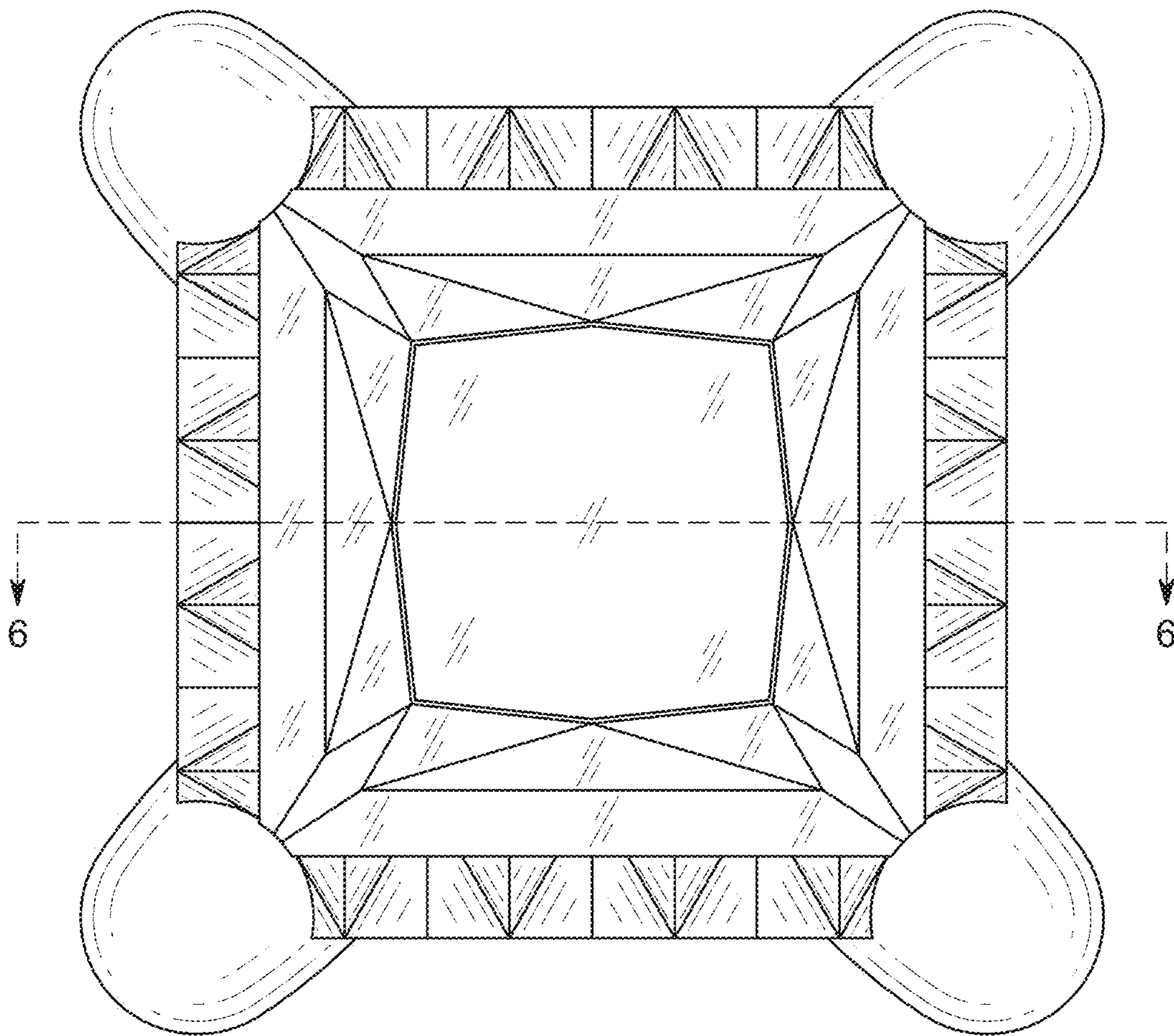


FIG. 3

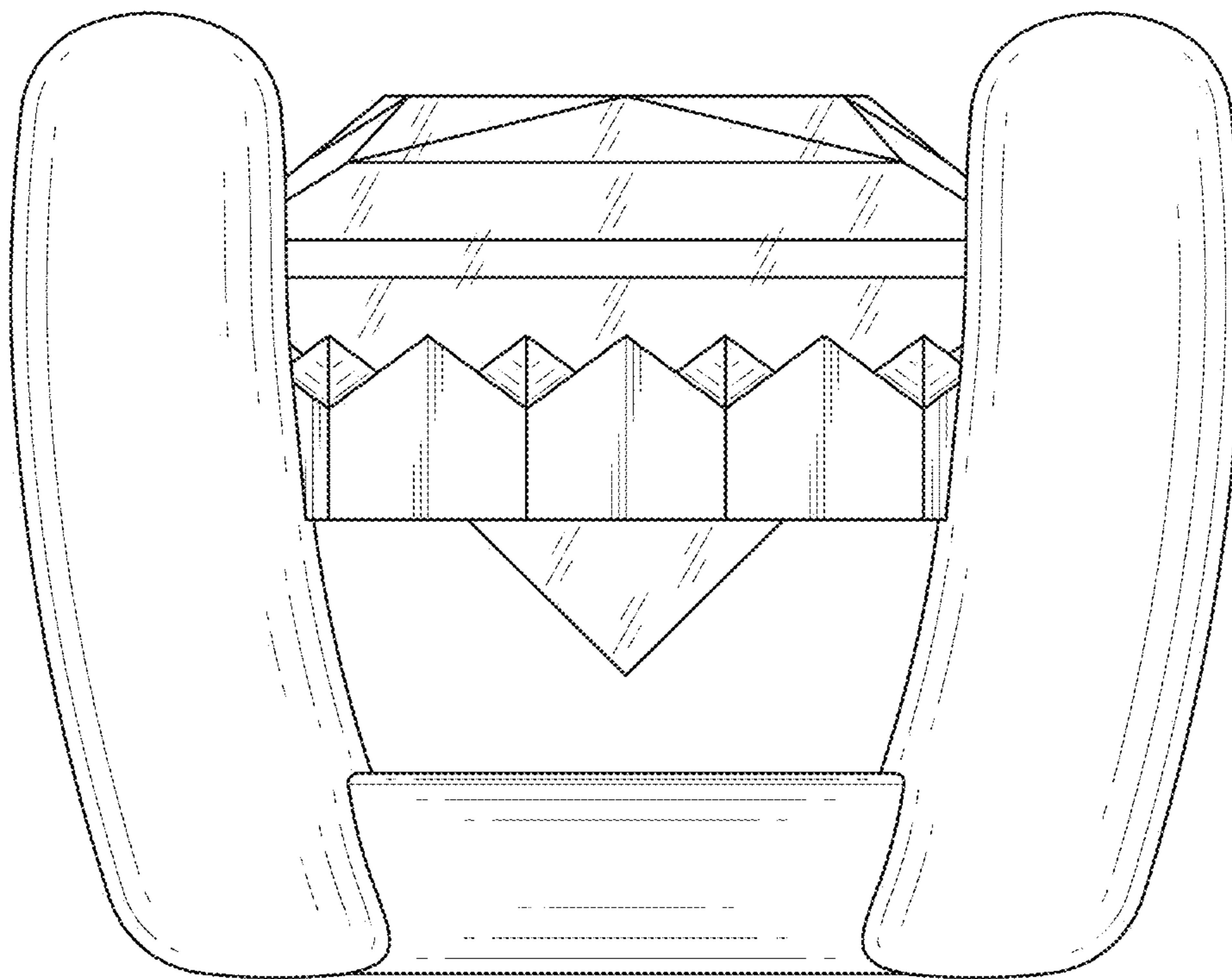


FIG. 4

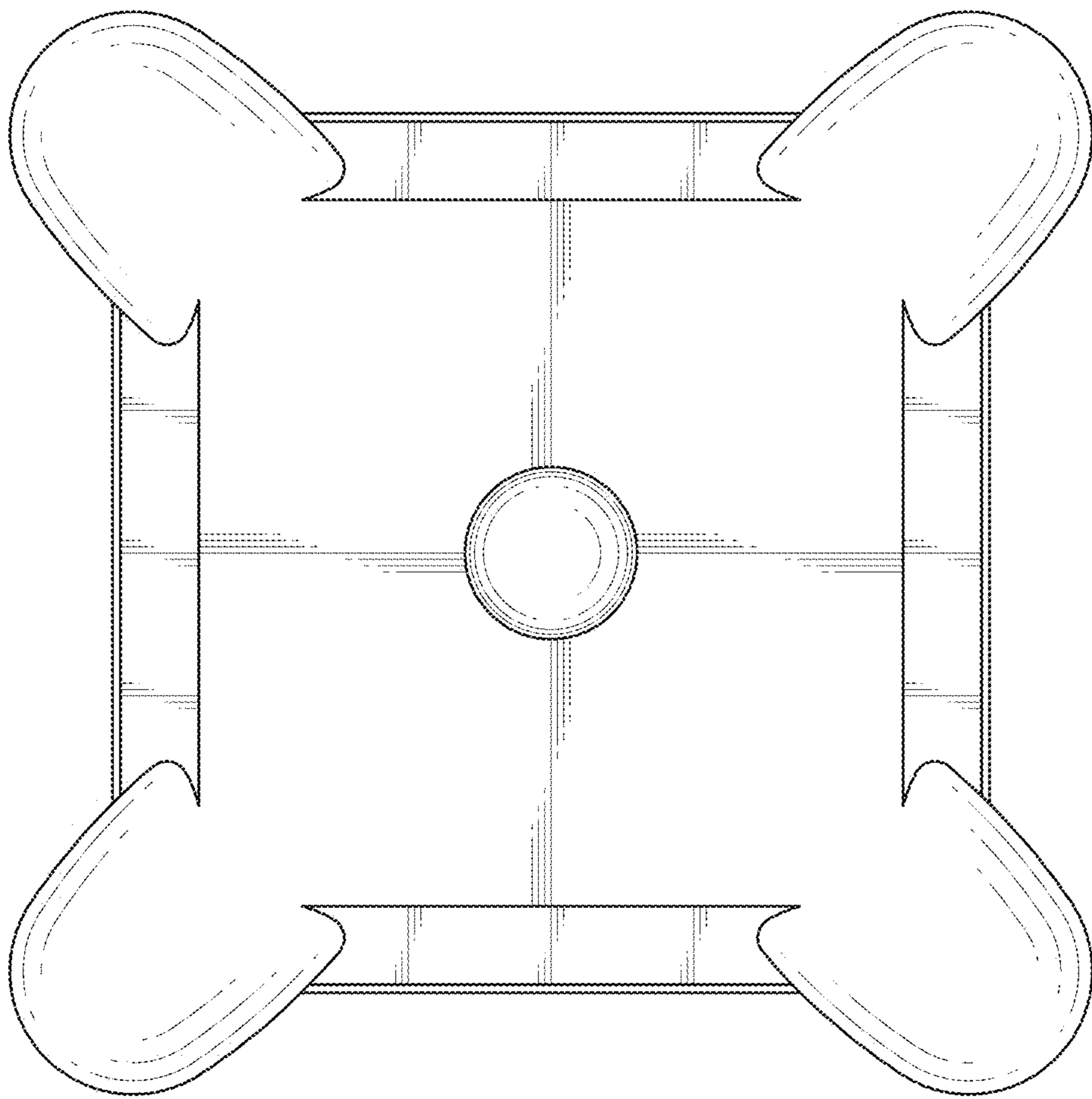


FIG. 5

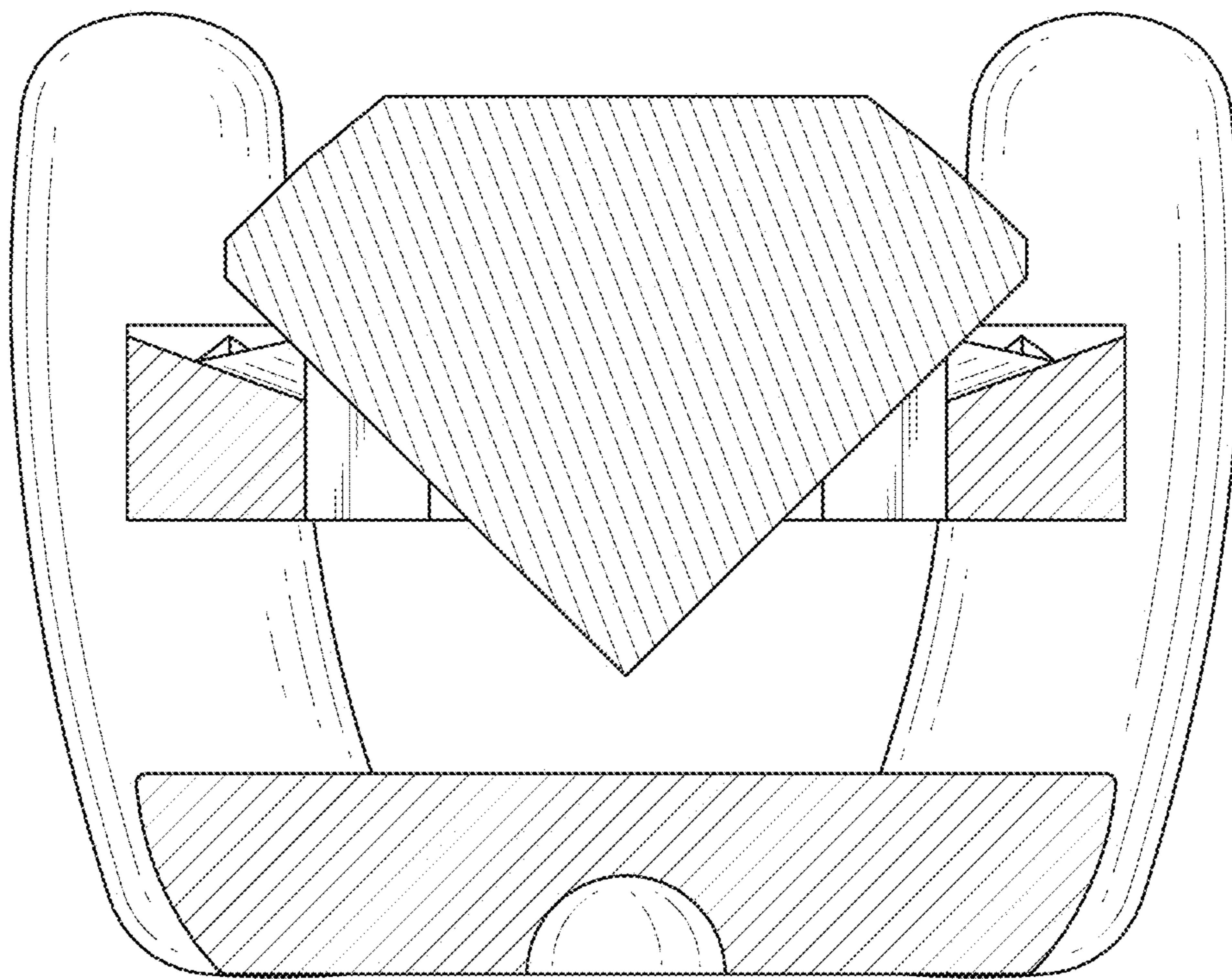


FIG. 6