



US00D919474S

(12) **United States Design Patent**
Padilla et al.

(10) **Patent No.:** **US D919,474 S**

(45) **Date of Patent:** **** May 18, 2021**

(54) **JEWELRY CLASP FOR CHAIN**

6,701,583 B1 * 3/2004 McCullough A44C 5/20
24/116 A

(71) Applicant: **GLD, LLC**

D524,678 S * 7/2006 Fishman D11/2
D550,430 S * 9/2007 Martin, Jr. D11/3

(72) Inventors: **Cesar Padilla**, Mexico City (MX);
Christian Johnston, Miami, FL (US)

(Continued)

(73) Assignee: **GLD, LLC**, Miami, FL (US)

OTHER PUBLICATIONS

(**) Term: **15 Years**

[online] "GLD Team Tag Bracelet" https://www.thegldshop.com/products/gld-team-bracelet?_pos=7&_sid=67009ee50&_ss=r. Retrieved Jan. 29, 2021.*

(21) Appl. No.: **35/508,067**

(Continued)

(22) Filed: **Jan. 30, 2019**

Primary Examiner — Melanie Pellegrini

(74) *Attorney, Agent, or Firm* — Akerman LLP

(80) **Hague Agreement Data**

Int. Filing Date: **Jan. 30, 2019**

Int. Reg. No.: **DM/204507**

Int. Reg. Date: **Jan. 30, 2019**

Int. Reg. Pub. Date: **Dec. 13, 2019**

(57) **CLAIM**

The ornamental design for a jewelry clasp for chain, as shown and described.

(51) **LOC (13) Cl.** **11-01**

DESCRIPTION

(52) **U.S. Cl.**

USPC **D11/87**; D11/16

(58) **Field of Classification Search**

USPC D11/1, 3, 4, 79-87, 91, 92, 93, 94

CPC A44C 5/18; A44C 5/184; A44C 5/2019;

A44C 5/2033; A44C 5/2095; A44C

15/00; A44C 15/005

See application file for complete search history.

1.-2. Jewelry clasp for chain

1.1 : Top perspective

1.2 : Bottom perspective

1.3 : Top elevation

1.4 : Bottom elevation

1.5 : Left elevation

1.6 : Right elevation

1.7 : Front elevation

1.8 : Rear elevation

2.1 : Top perspective

2.2 : Bottom perspective

2.3 : Top elevation

2.4 : Bottom elevation

2.5 : Left elevation

2.6 : Right elevation

2.7 : Front elevation

2.8 : Rear elevation

The shade lines on the figures represents contour and not surface ornamentation and forms no part of the claimed

(Continued)

(56) **References Cited**

U.S. PATENT DOCUMENTS

D163,317 S * 5/1951 Pagliuca D11/87

2,586,758 A * 2/1952 Zerr A44C 11/005

24/518

D265,635 S * 8/1982 Barr D11/15

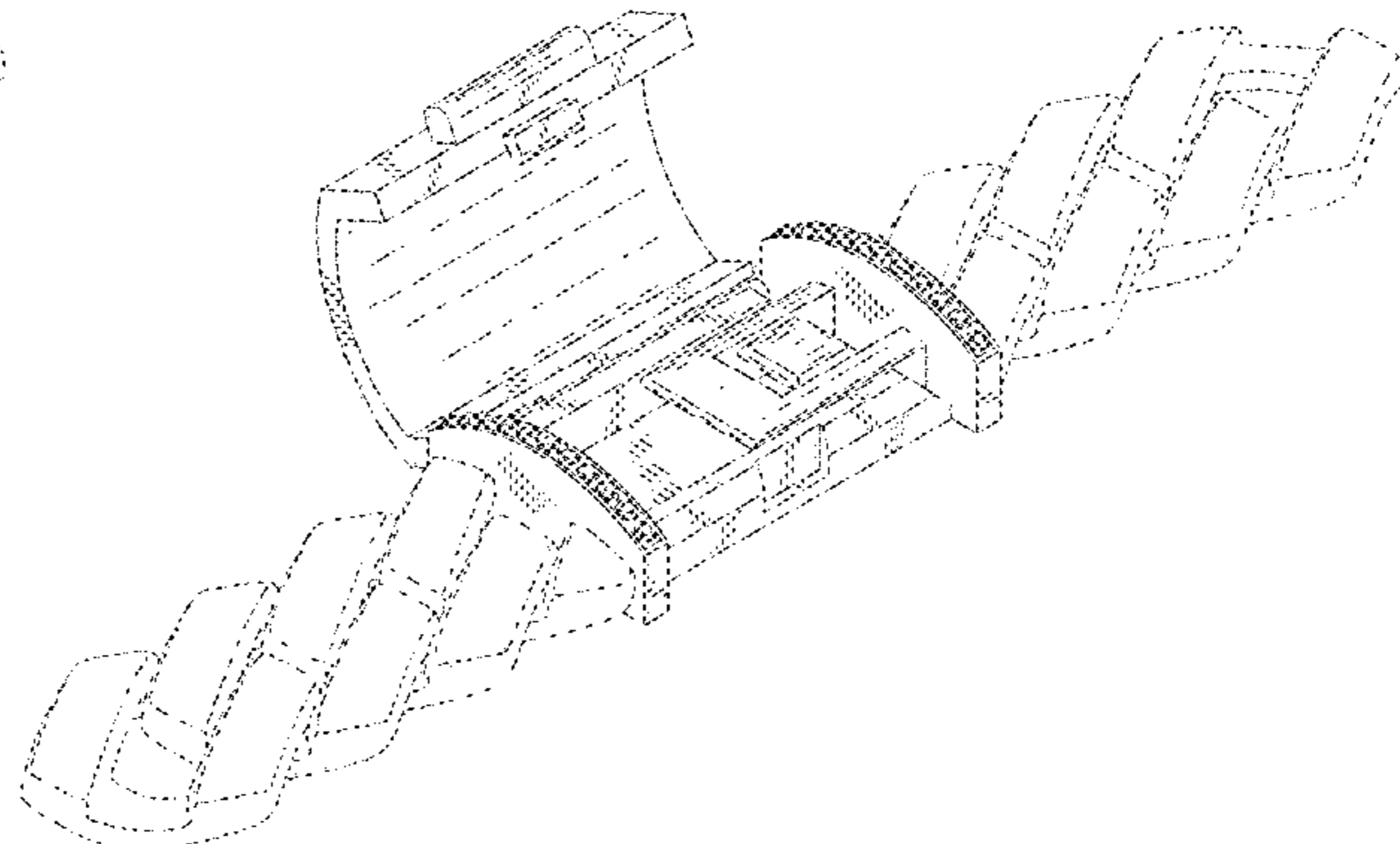
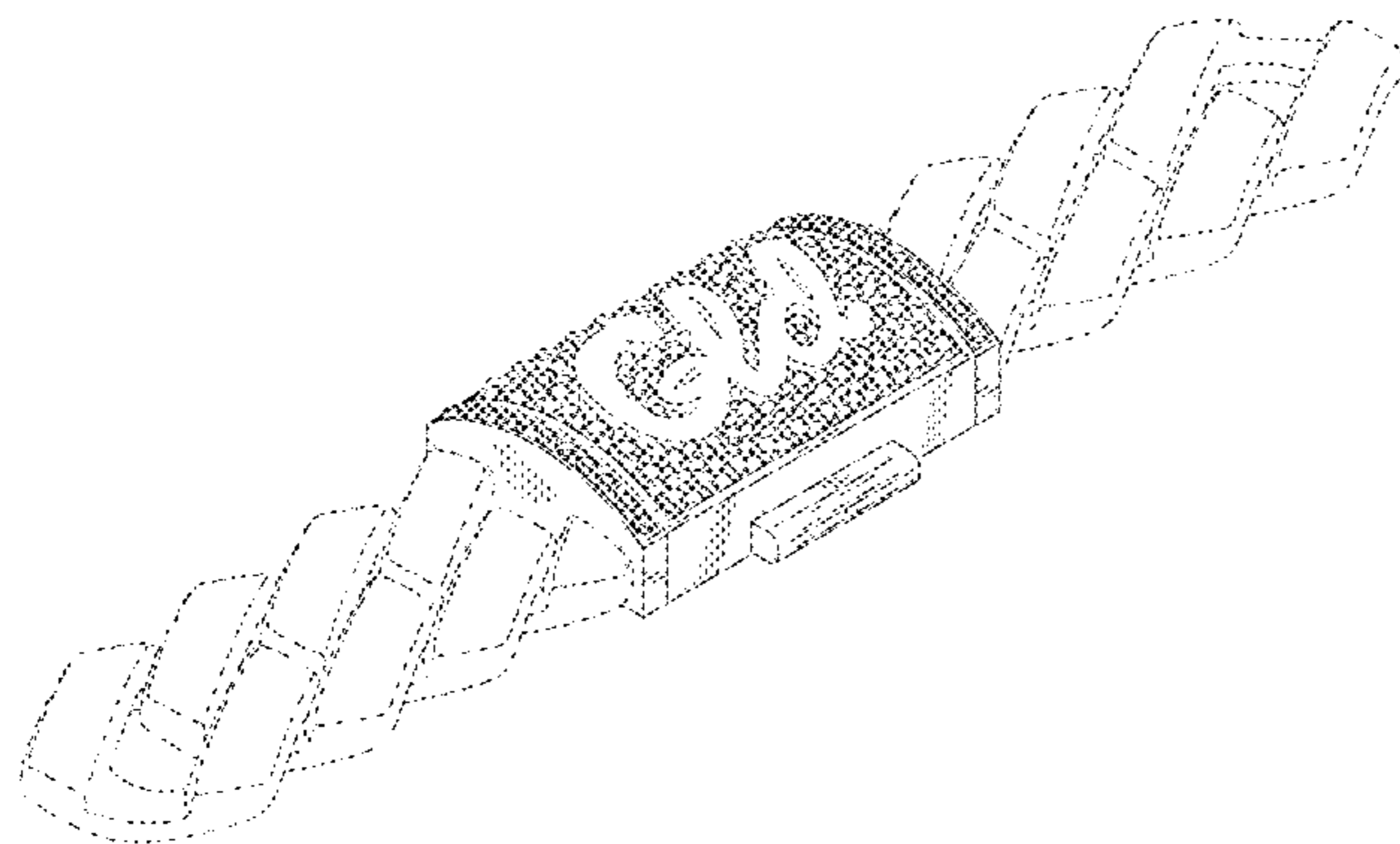
D284,176 S * 6/1986 Battersby D11/80

4,611,368 A * 9/1986 Battersby A44C 5/20

24/116 A

6,470,708 B1 * 10/2002 Green A44C 5/2071

24/116 A



design. The broken lines shown in the figures represent portions of the jewelry clasp for chain that form no part of the claimed design.

1 Claim, 16 Drawing Sheets

(56) **References Cited**

U.S. PATENT DOCUMENTS

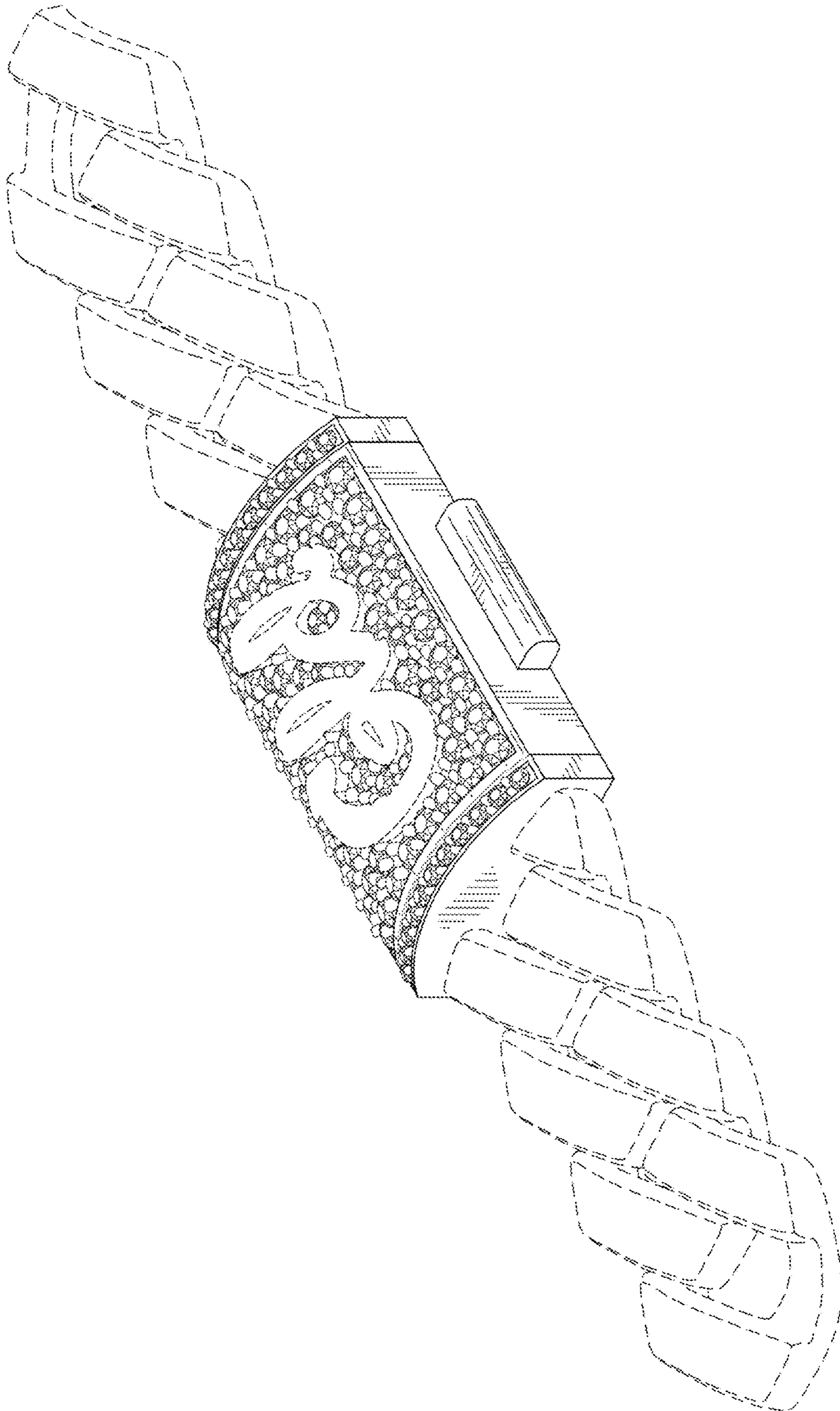
D563,259 S *	3/2008	Ousley	D11/87
D682,727 S *	5/2013	Bulgari	D11/16
D723,415 S *	3/2015	Slater	D11/86
D735,068 S *	7/2015	Garcia Pla	D11/3

OTHER PUBLICATIONS

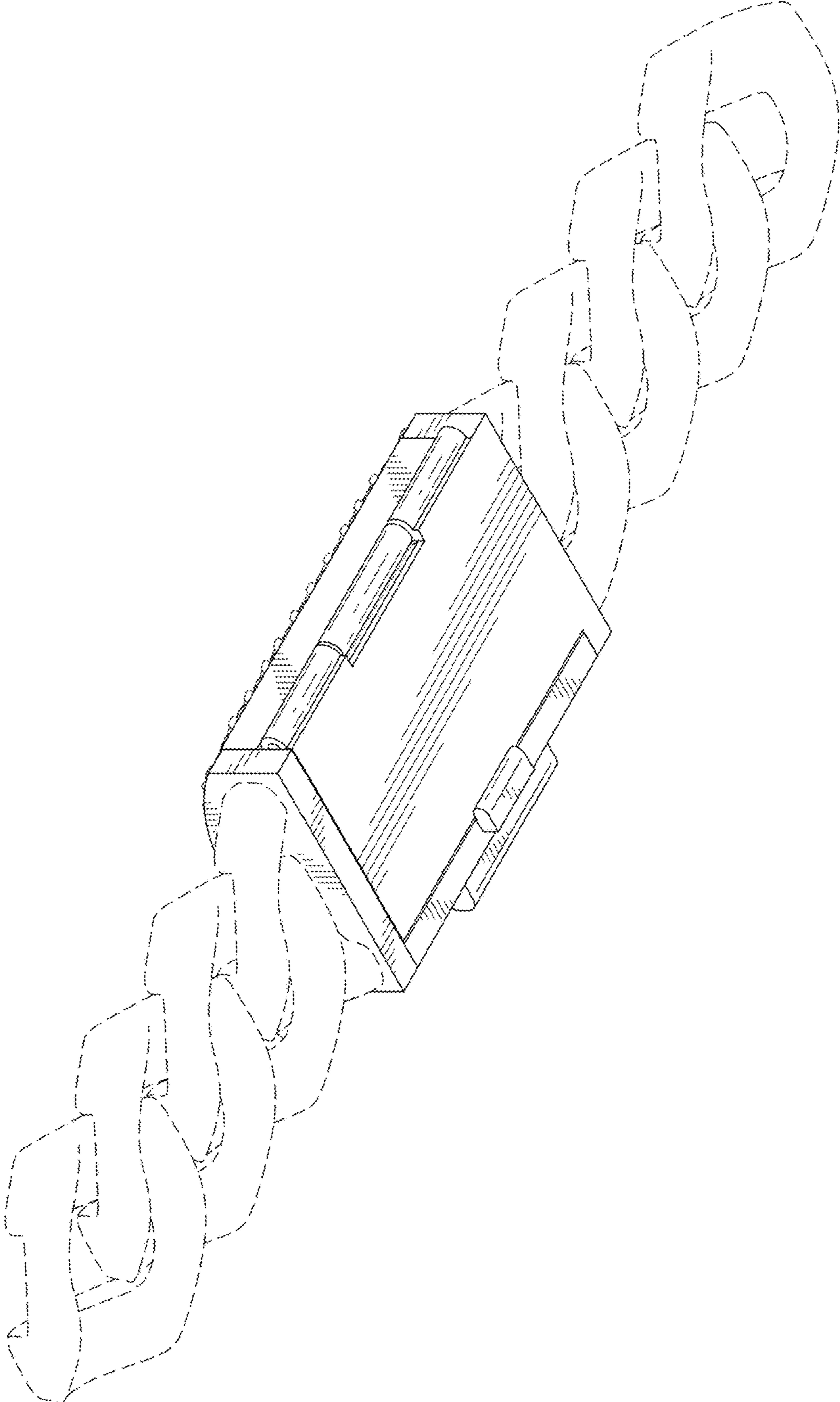
[online] "LA Lakers . . ." <https://www.thegldshop.com/products/la-lakers-multi-tone-custom-cuban>. Retrieved Jan. 29, 2021.*

* cited by examiner

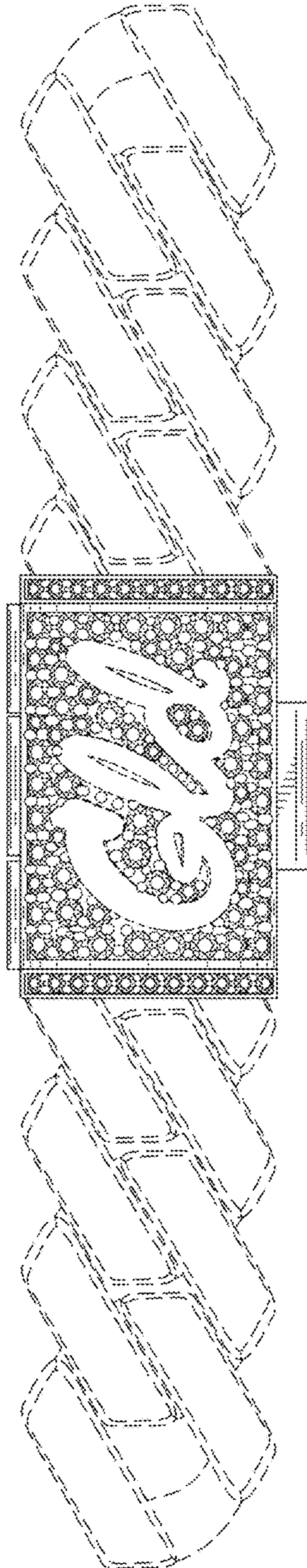
1.1



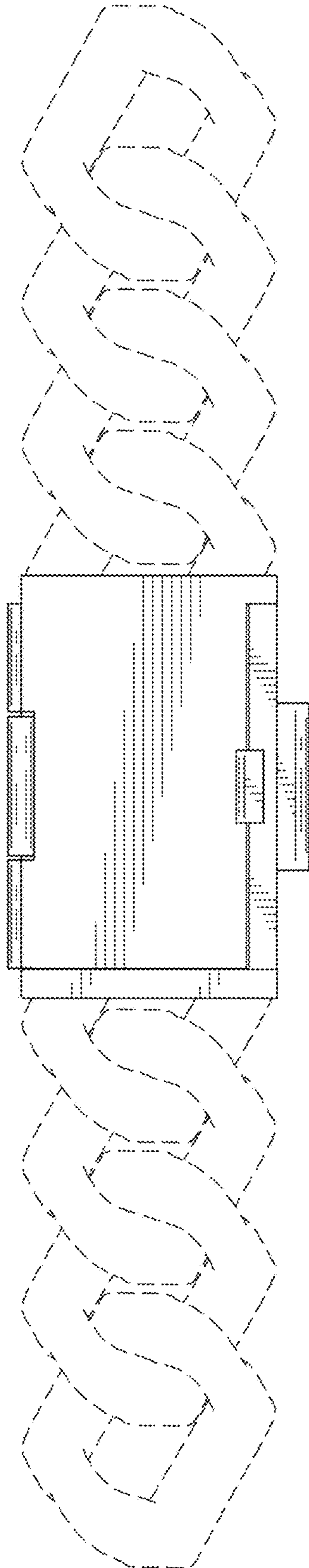
1.2



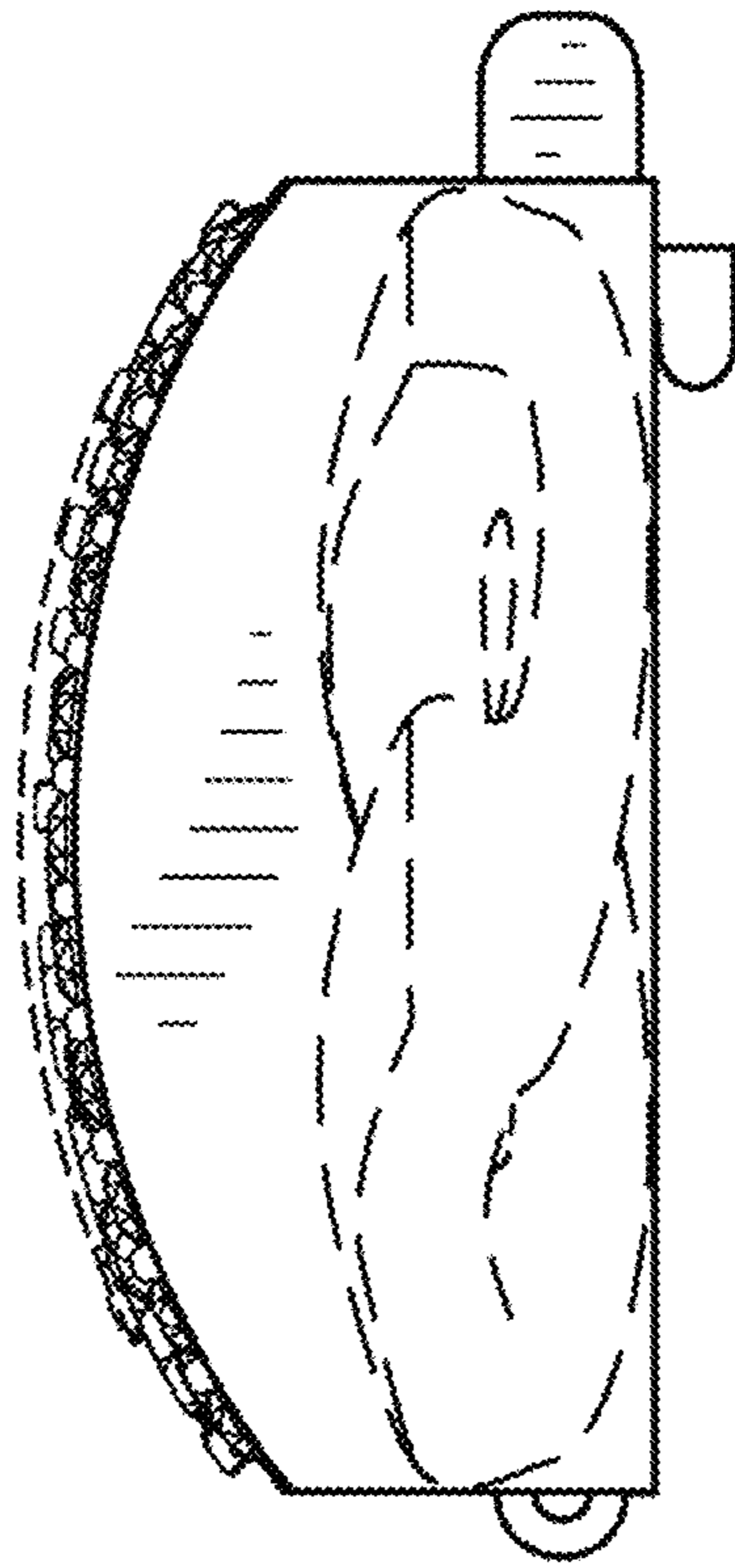
1.3



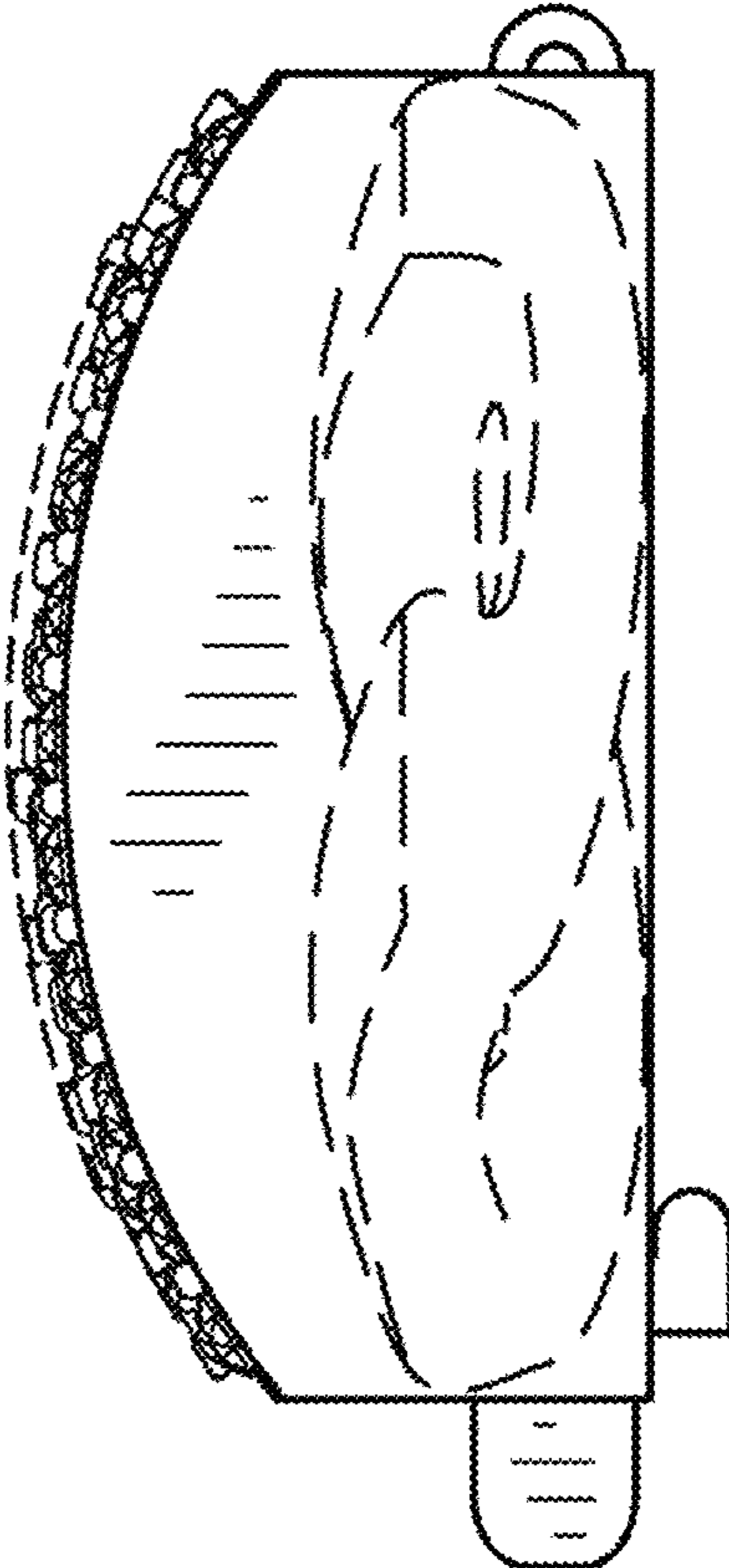
1.4



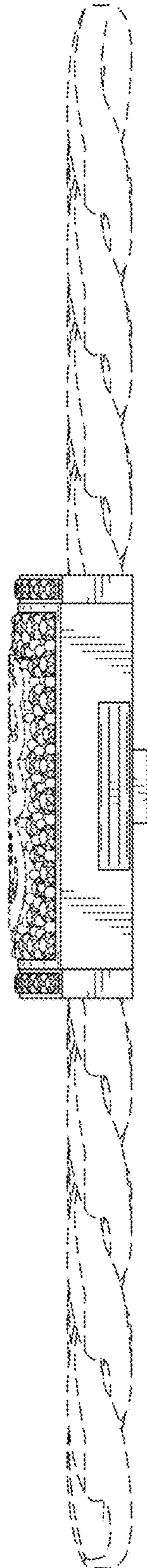
1.5



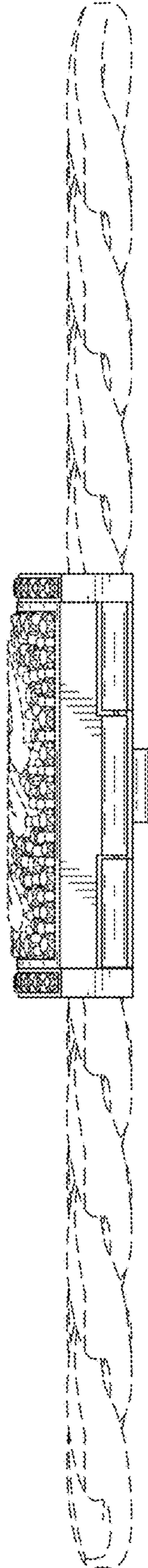
1.6



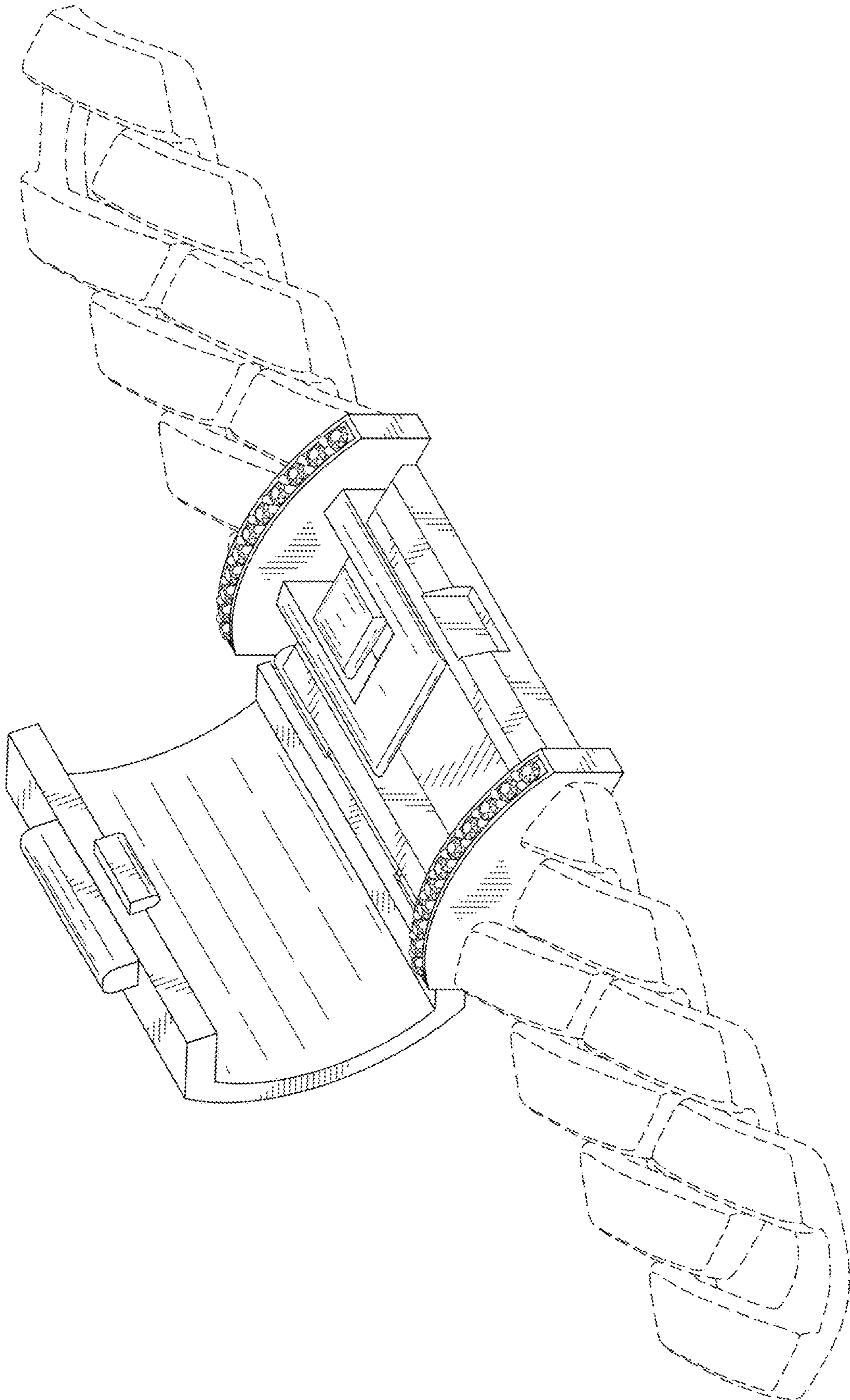
1.7



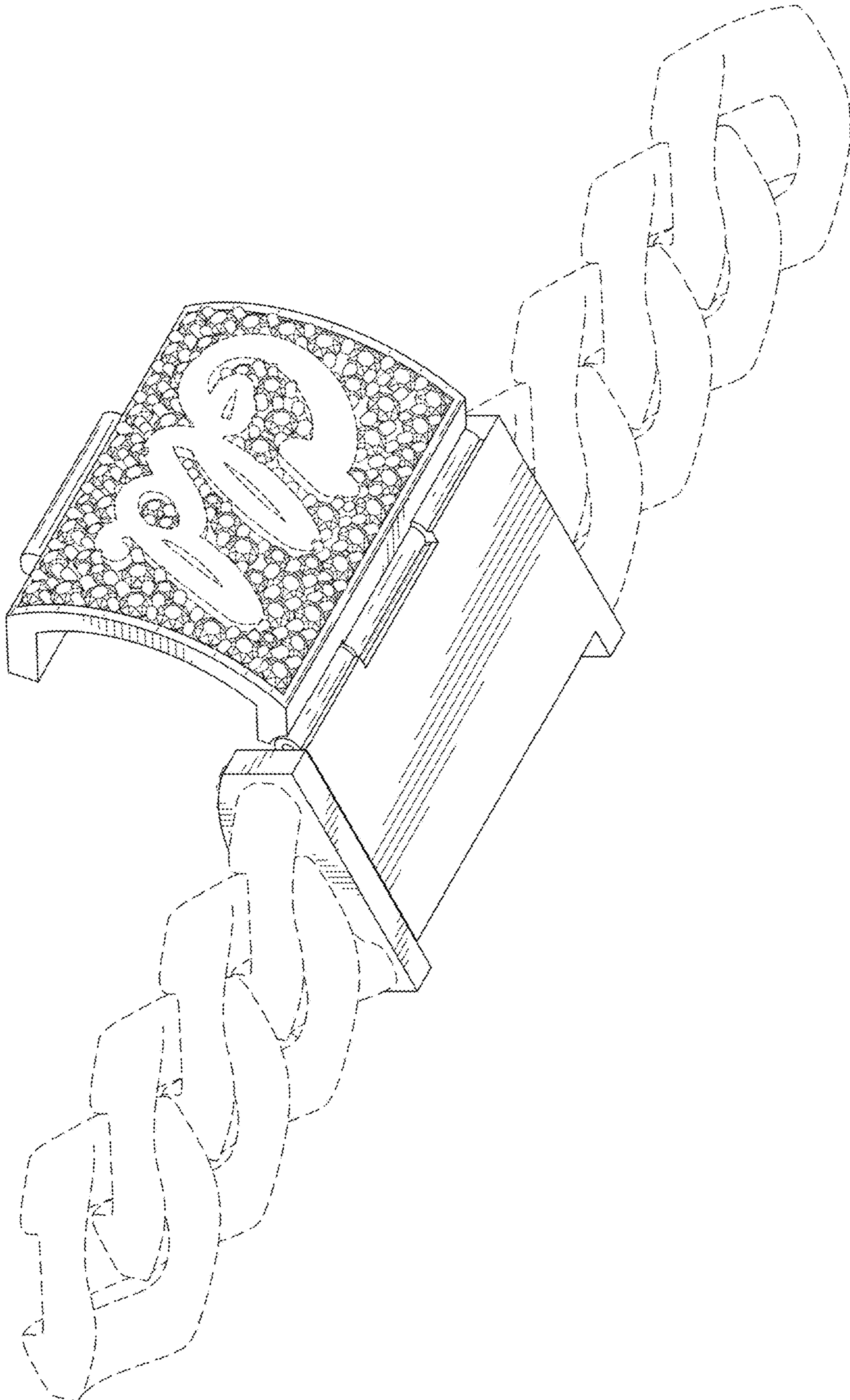
1.8



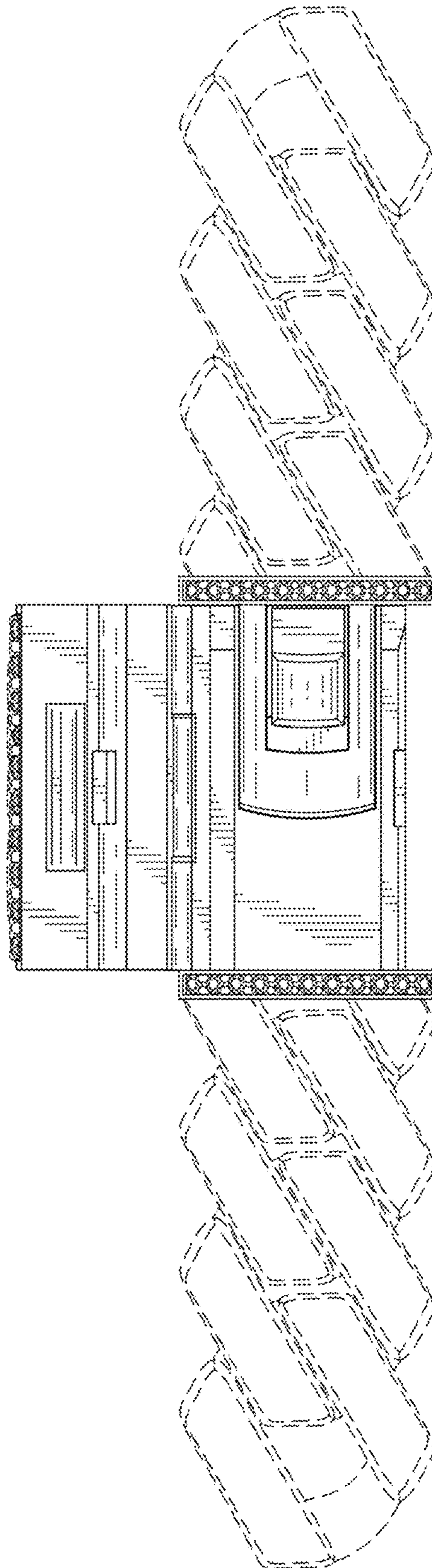
2.1



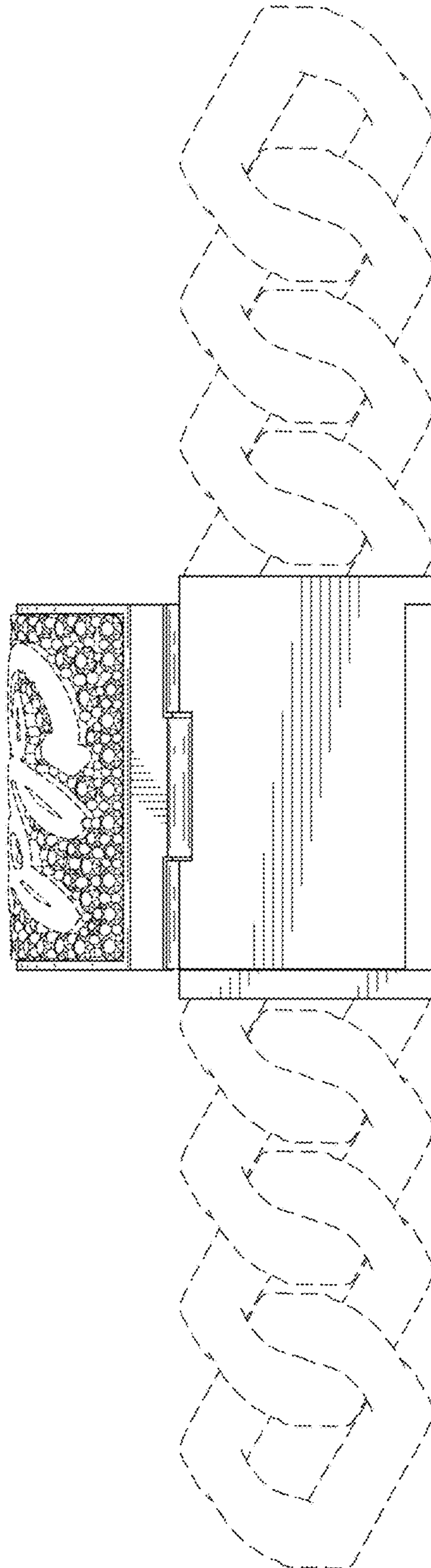
2.2



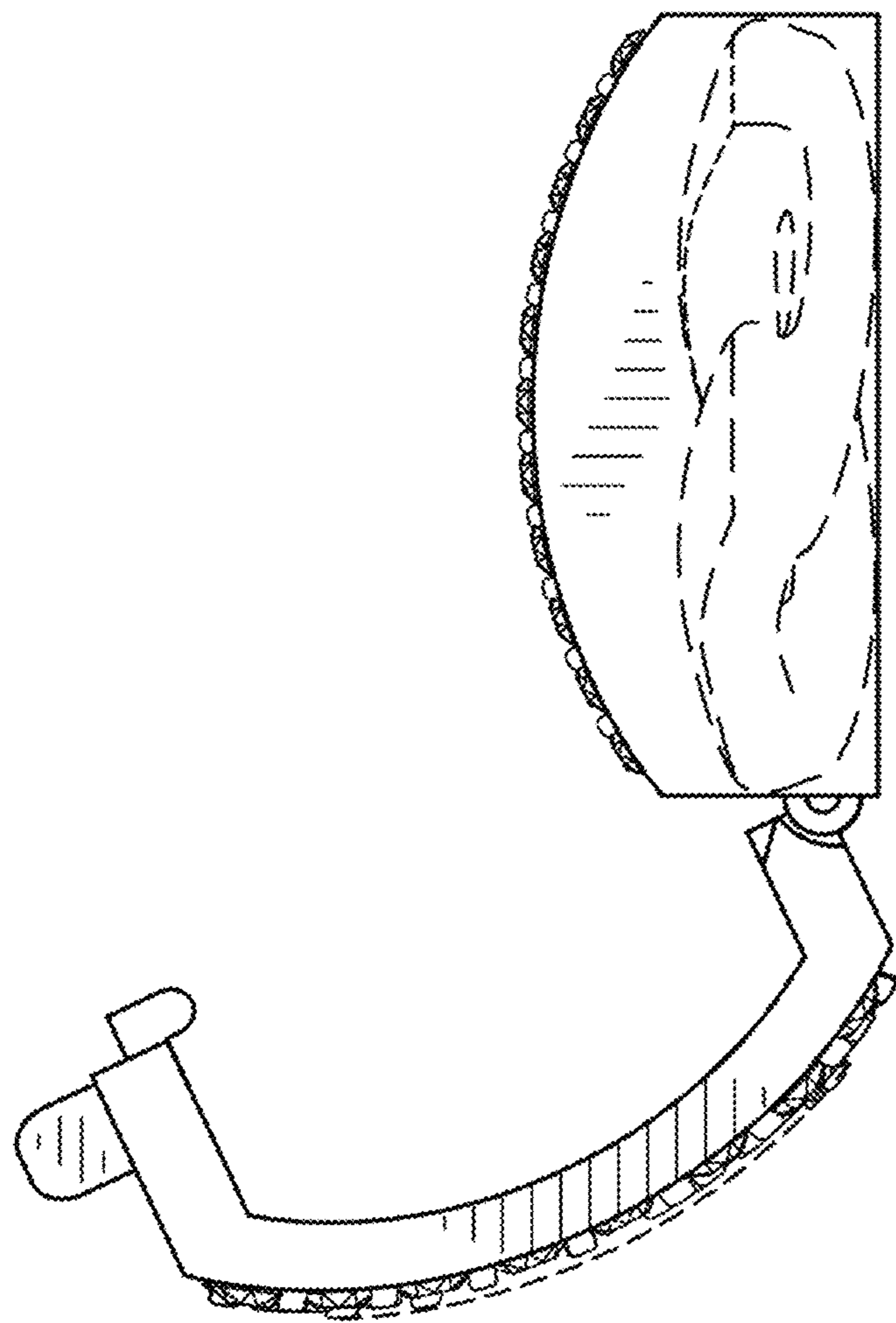
2.3



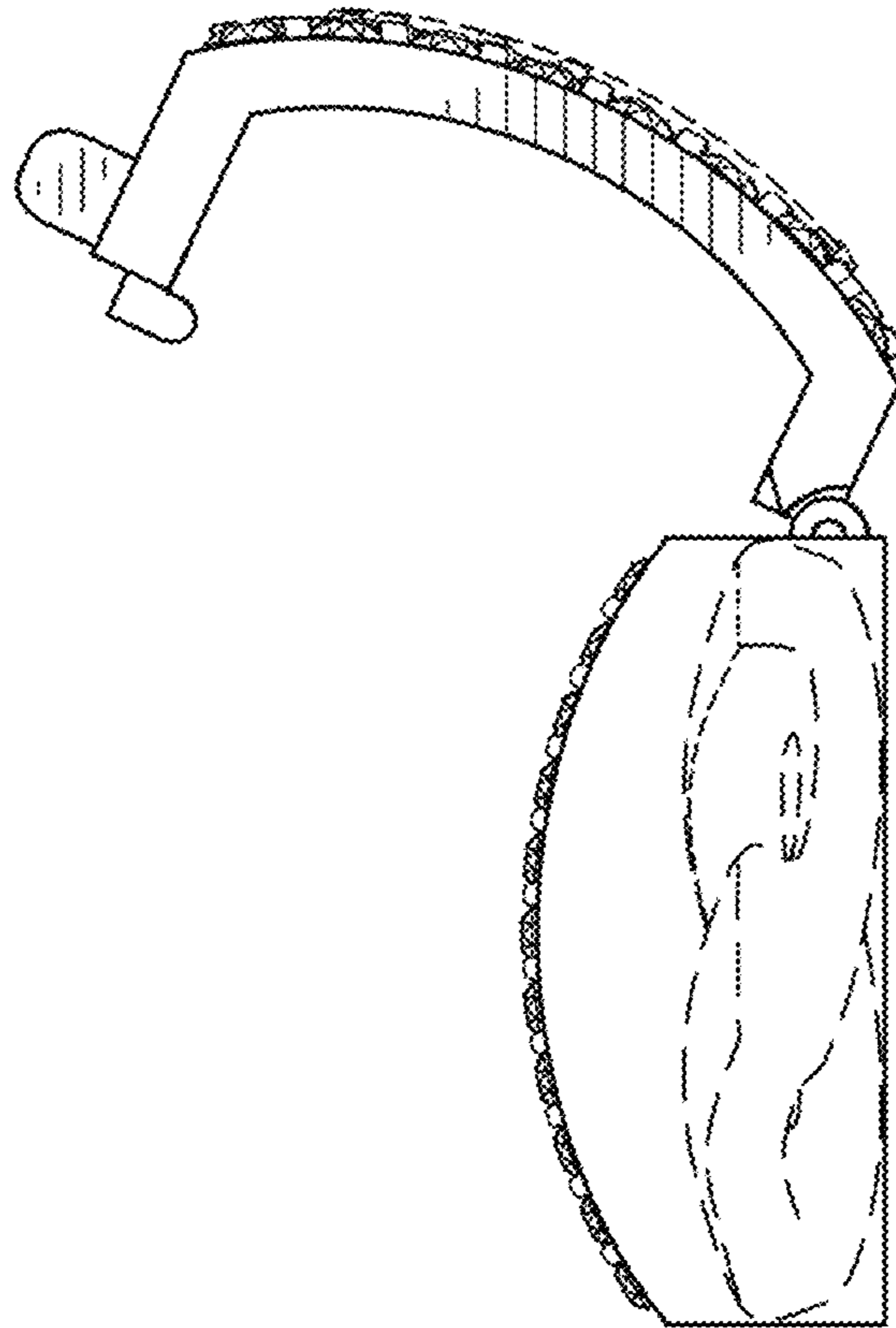
2.4



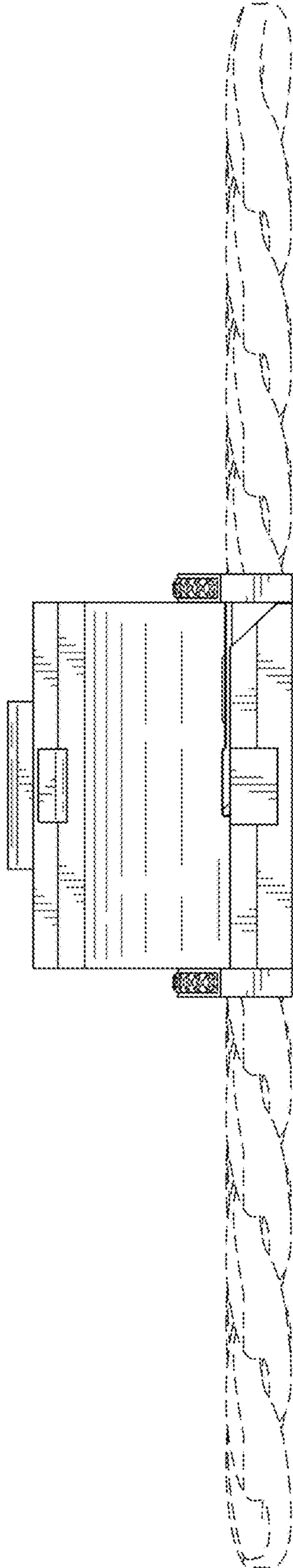
2.5



2.6



2.7



2.8

