



US00D919465S

(12) **United States Design Patent**
Ribi

(10) **Patent No.:** **US D919,465 S**

(45) **Date of Patent:** **** May 18, 2021**

(54) **WEIGH-IN-MOTION APPARATUS**

(71) Applicant: **Kistler Holding AG**, Winterthur (CH)

(72) Inventor: **Adrian Ribi**, Winterthur (CH)

(**) Term: **15 Years**

(21) Appl. No.: **35/508,640**

(22) Filed: **May 16, 2019**

(80) **Hague Agreement Data**

Int. Filing Date: **May 16, 2019**

Int. Reg. No.: **DM/205818**

Int. Reg. Date: **May 16, 2019**

Int. Reg. Pub. Date: **Feb. 14, 2020**

(51) **LOC (13) Cl.** **10-04**

(52) **U.S. Cl.**

USPC **D10/87**

(58) **Field of Classification Search**

USPC D10/83, 87

See application file for complete search history.

(56) **References Cited**

U.S. PATENT DOCUMENTS

D684,075 S * 6/2013 Cornu D10/87

D686,928 S * 7/2013 Cornu D10/87

D798,173 S * 9/2017 Iwata D10/83

D799,345 S * 10/2017 Iwata D10/46

* cited by examiner

Primary Examiner — George D. Kirschbaum

(57) **CLAIM**

The ornamental design for a weigh-in-motion apparatus, as shown and claimed.

DESCRIPTION

FIG. 1 is a perspective view a weigh-in-motion apparatus embodying the new design from above the left side thereof, broken in the middle to eliminate redundant features;

FIG. 2 is a perspective view from below the right side thereof, broken in the middle to eliminate redundant features.

FIG. 3 is a front elevation view thereof;

FIG. 4 is a rear elevation view thereof;

FIG. 5 is a left side elevation view thereof, broken in the middle to eliminate redundant features;

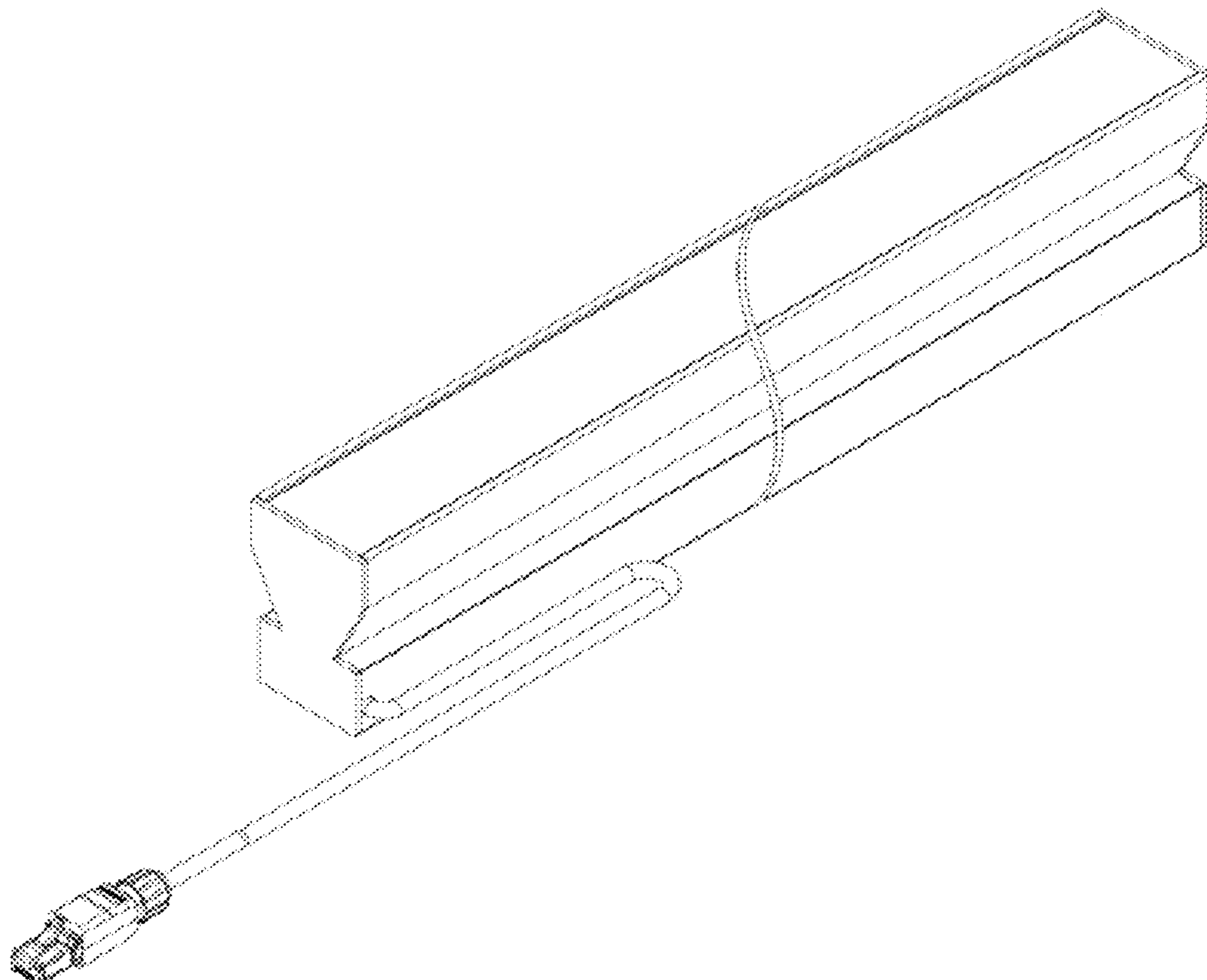
FIG. 6 is a right side elevation view thereof, broken in the middle to eliminate redundant features;

FIG. 7 is a top plan view thereof, broken in the middle to eliminate redundant features;

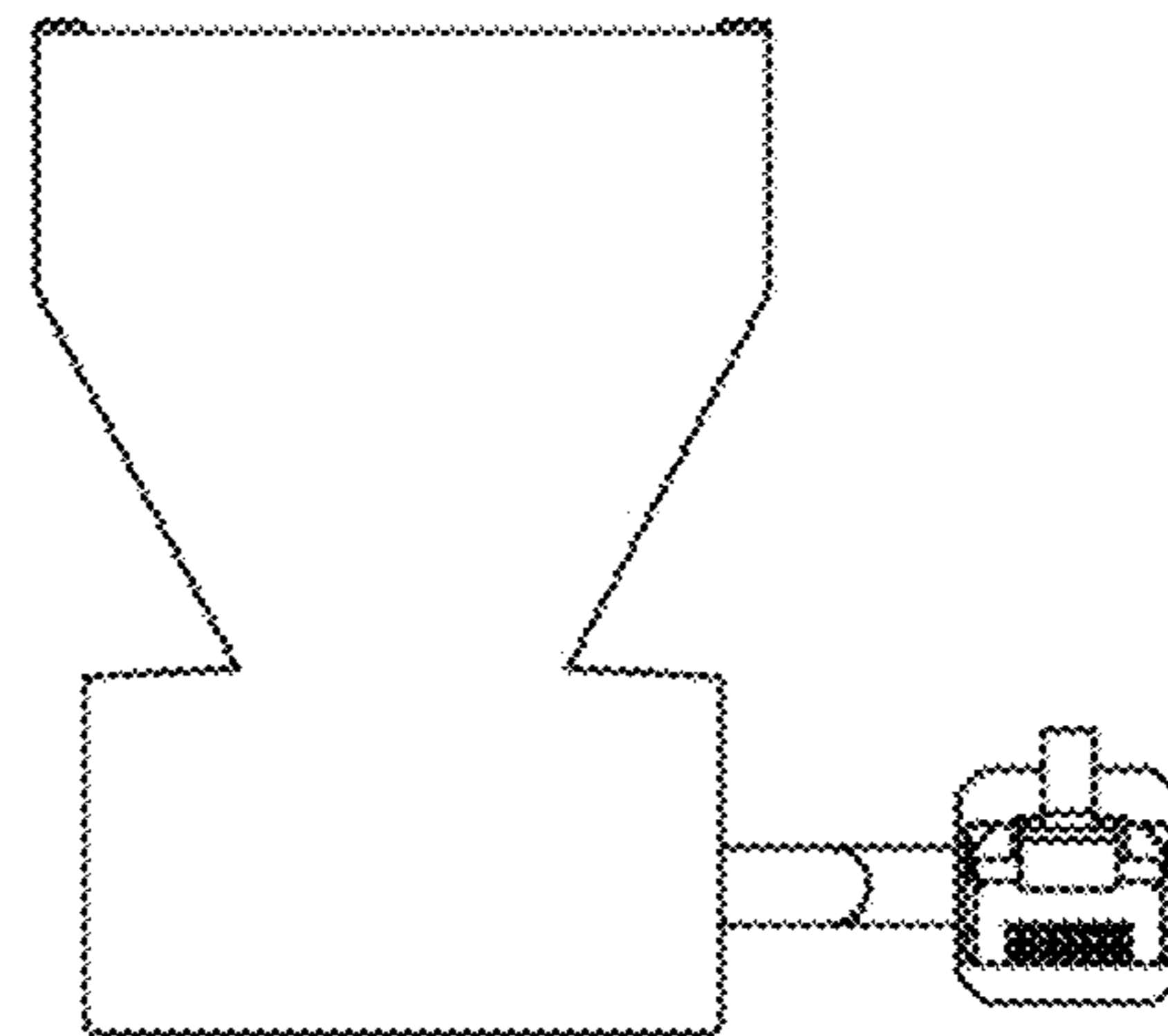
FIG. 8 is a bottom plan view thereof, broken in the middle to eliminate redundant features;

The break lines in the drawings indicate that the appearance of any portion of the weigh-in-motion apparatus between the break lines forms no part of the claimed design.

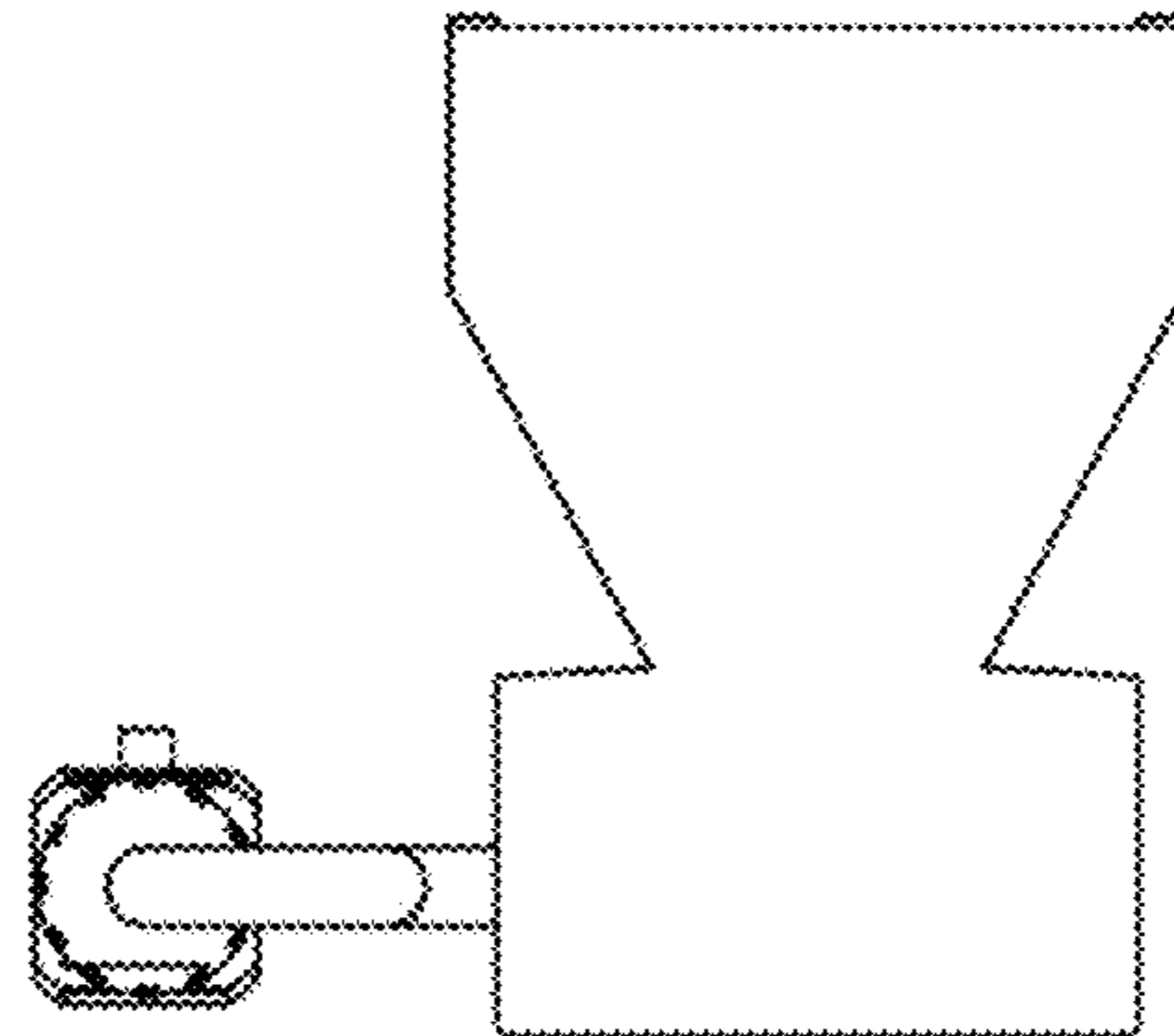
1 Claim, 8 Drawing Sheets



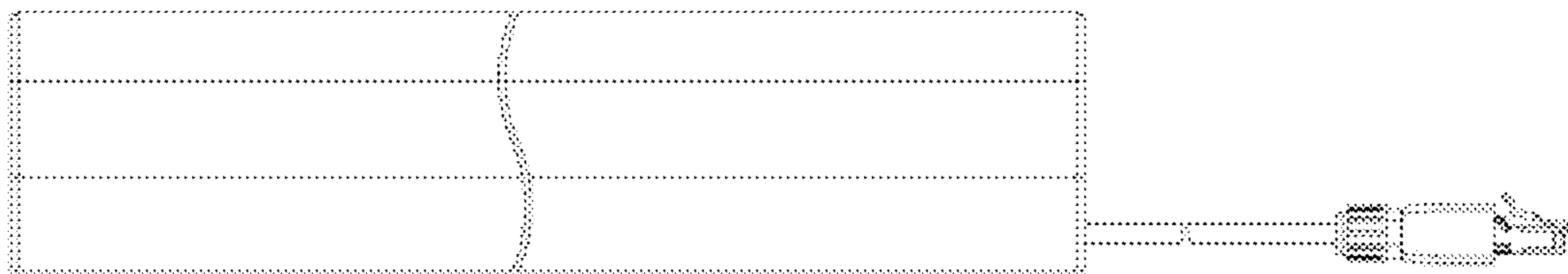
1.1



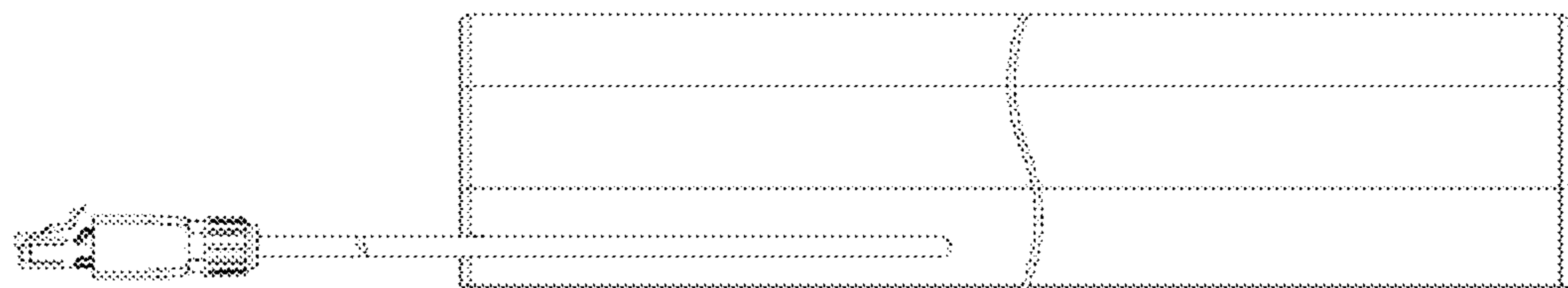
1.2



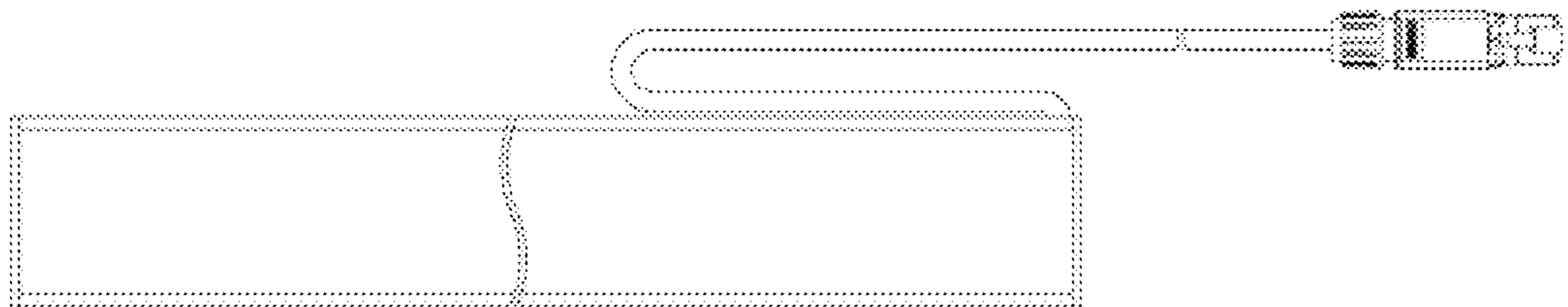
1.3



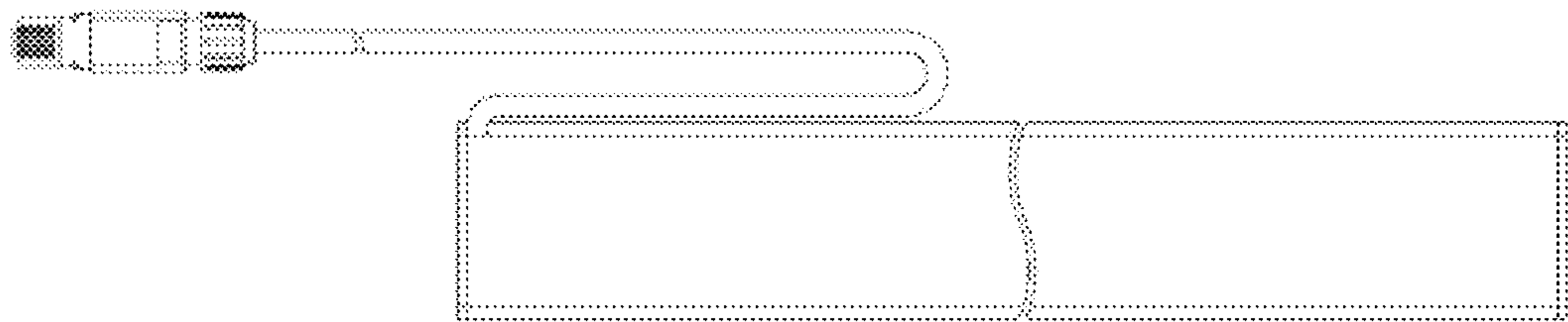
1.4



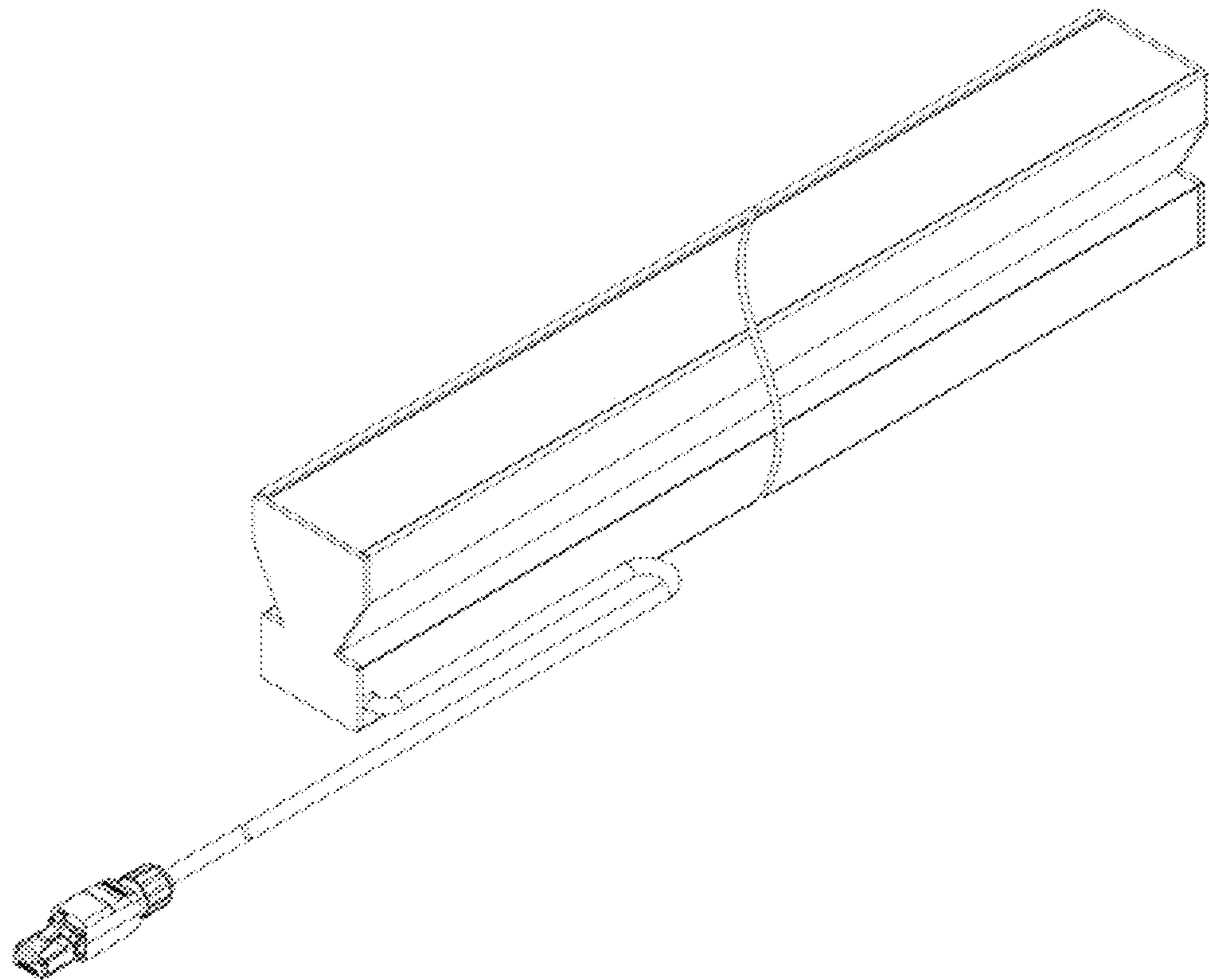
1.5



1.6



1.7



1.8

