



US00D919464S

(12) **United States Design Patent** (10) **Patent No.:** **US D919,464 S**
Takano (45) **Date of Patent:** **** May 18, 2021**

(54) **GAS ANALYZER**

(71) Applicant: **YOKOGAWA ELECTRIC CORPORATION**, Musashino (JP)

(72) Inventor: **Naoto Takano**, Tokyo (JP)

(73) Assignee: **YOKOGAWA ELECTRIC CORPORATION**

(**) Term: **15 Years**

(21) Appl. No.: **29/723,659**

(22) Filed: **Feb. 10, 2020**

Related U.S. Application Data

(62) Division of application No. 35/506,210, filed on Jun. 8, 2018 (U.S. filing date under 35 U.S.C. 384), and having an international filing date of Jun. 8, 2018, now Pat. No. Des. 878,228.

(51) **LOC (13) Cl.** **10-04**

(52) **U.S. Cl.**
USPC **D10/81**

(58) **Field of Classification Search**
USPC D10/81, 96, 78; D23/355, 235
CPC A61M 11/06
See application file for complete search history.

(56) **References Cited**

U.S. PATENT DOCUMENTS

D375,056 S * 10/1996 Sewell D10/96
5,797,389 A * 8/1998 Ryder A61M 11/06
128/200.21

D485,771 S * 1/2004 Ribeiro D10/81
D499,347 S * 12/2004 Fudali D10/78
D762,504 S * 8/2016 Senba D10/81
D862,646 S * 10/2019 Jorgensen D23/235
D884,523 S * 5/2020 Seimori D10/81
D890,898 S * 7/2020 Nibbelink D23/355
D892,654 S * 8/2020 Gabrys D10/78
D899,281 S * 10/2020 Takano D10/81
D909,539 S * 2/2021 Zhou D23/235

* cited by examiner

Primary Examiner — George D. Kirschbaum

(74) *Attorney, Agent, or Firm* — Saidman DesignLaw Group, LLC

(57) **CLAIM**

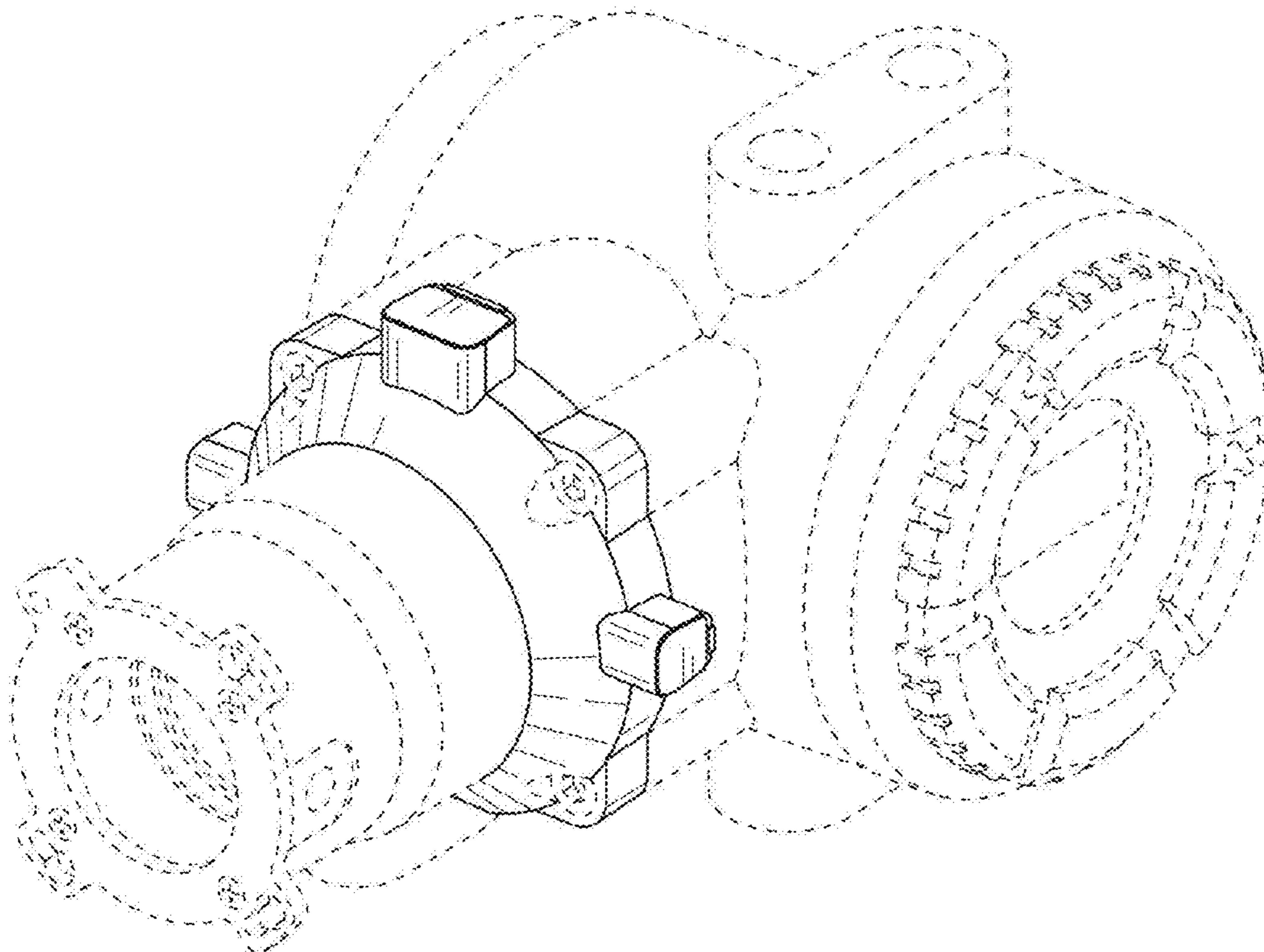
The ornamental design for a gas analyzer, as shown and described.

DESCRIPTION

FIG. 1 is a perspective view of a gas analyzer showing my new design;
FIG. 2 is a front view thereof;
FIG. 3 is a rear view thereof;
FIG. 4 is a top view thereof;
FIG. 5 is a bottom view thereof;
FIG. 6 is a left side view thereof; and,
FIG. 7 is a right side view thereof.

The broken lines do not form part of the claimed design.

1 Claim, 7 Drawing Sheets



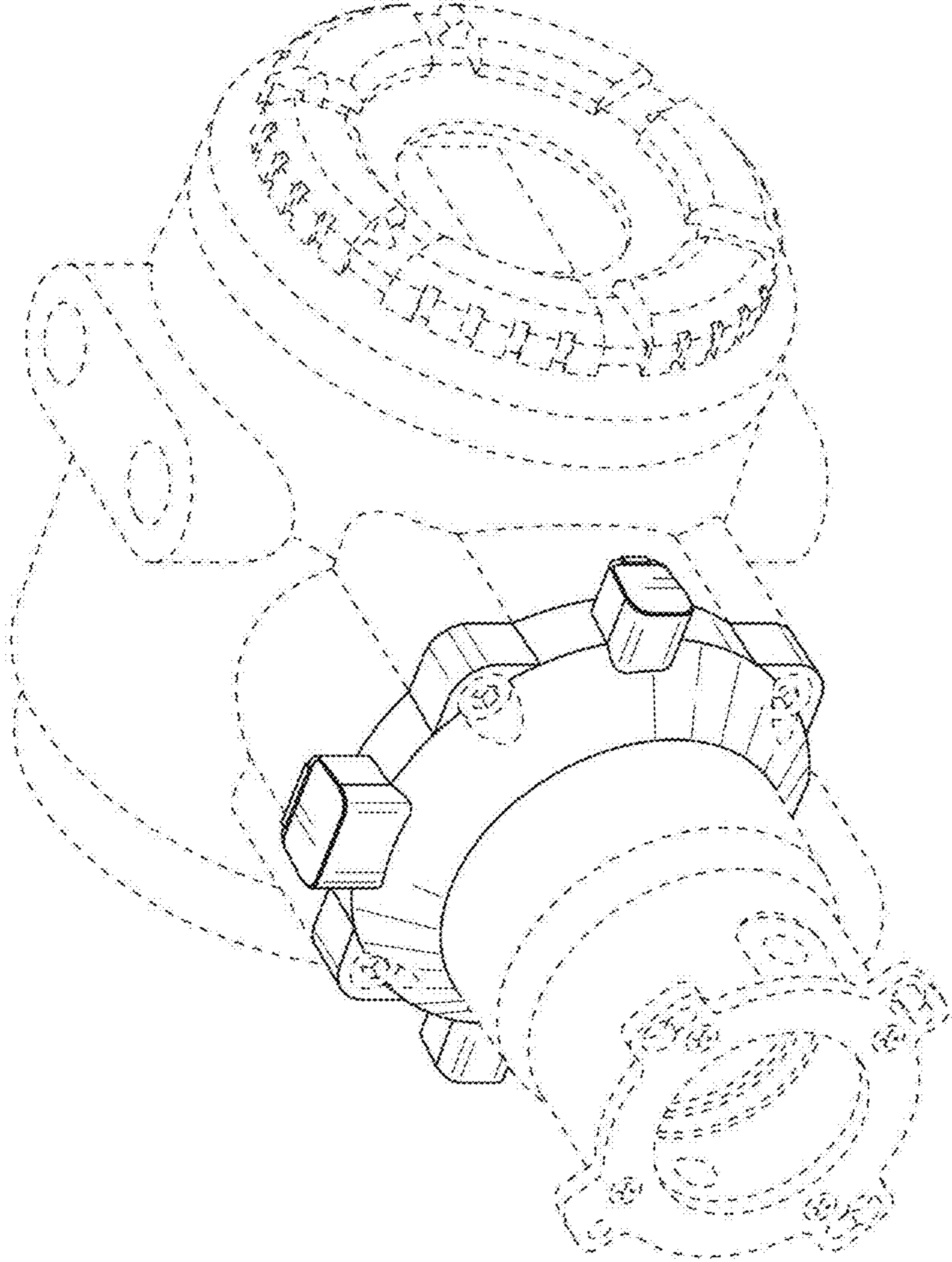


FIG. 1

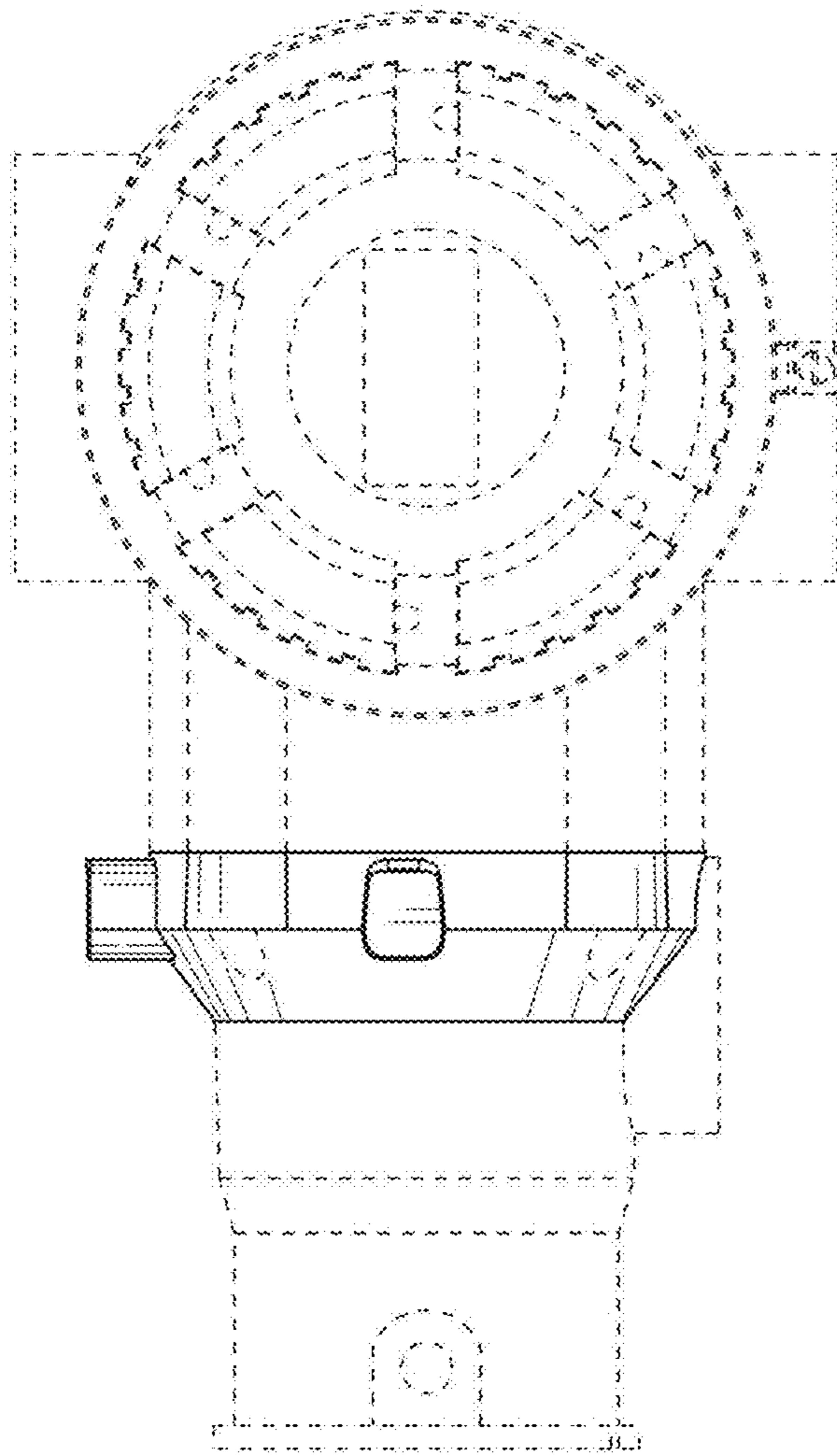


FIG. 2

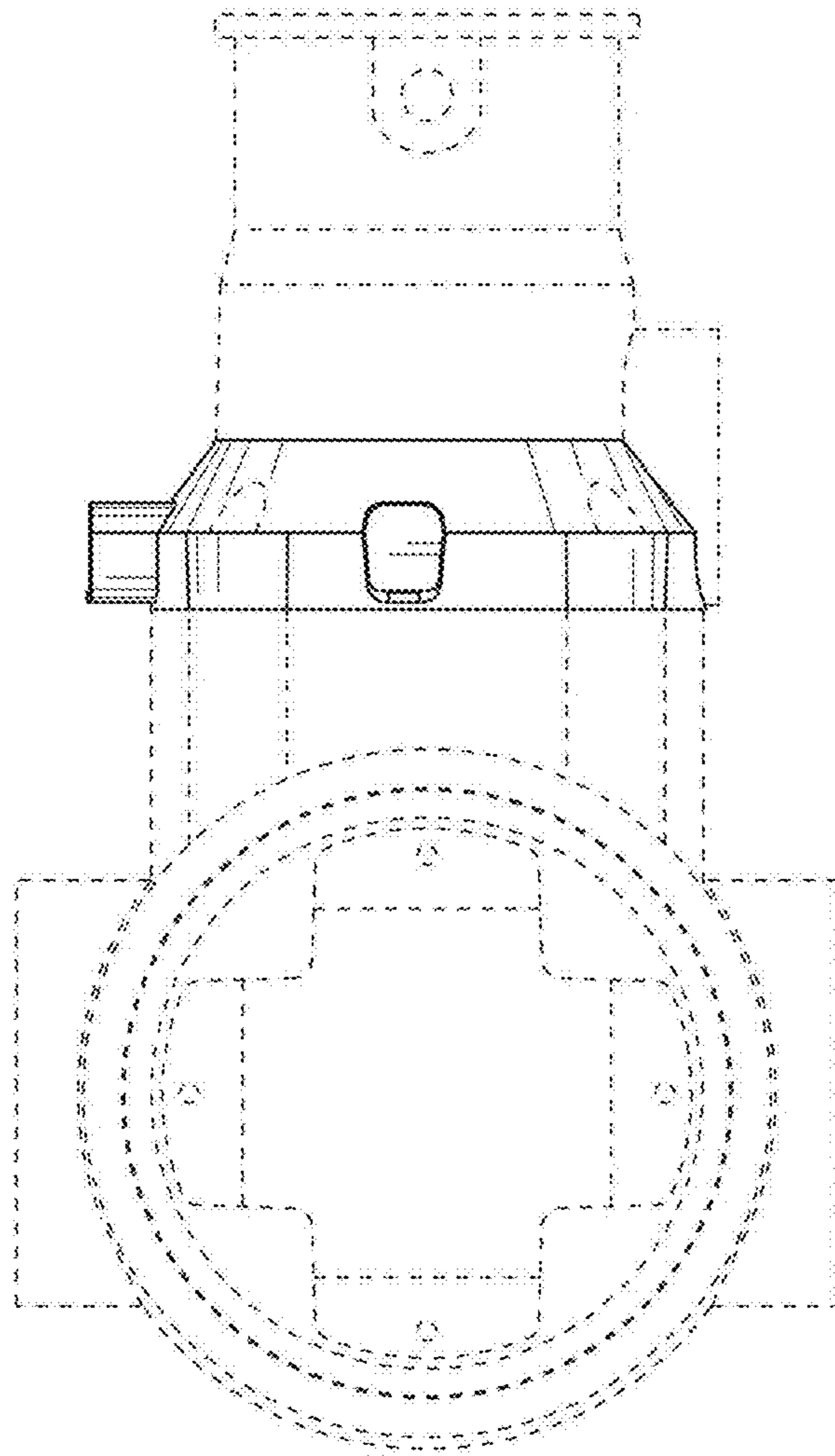


FIG. 3

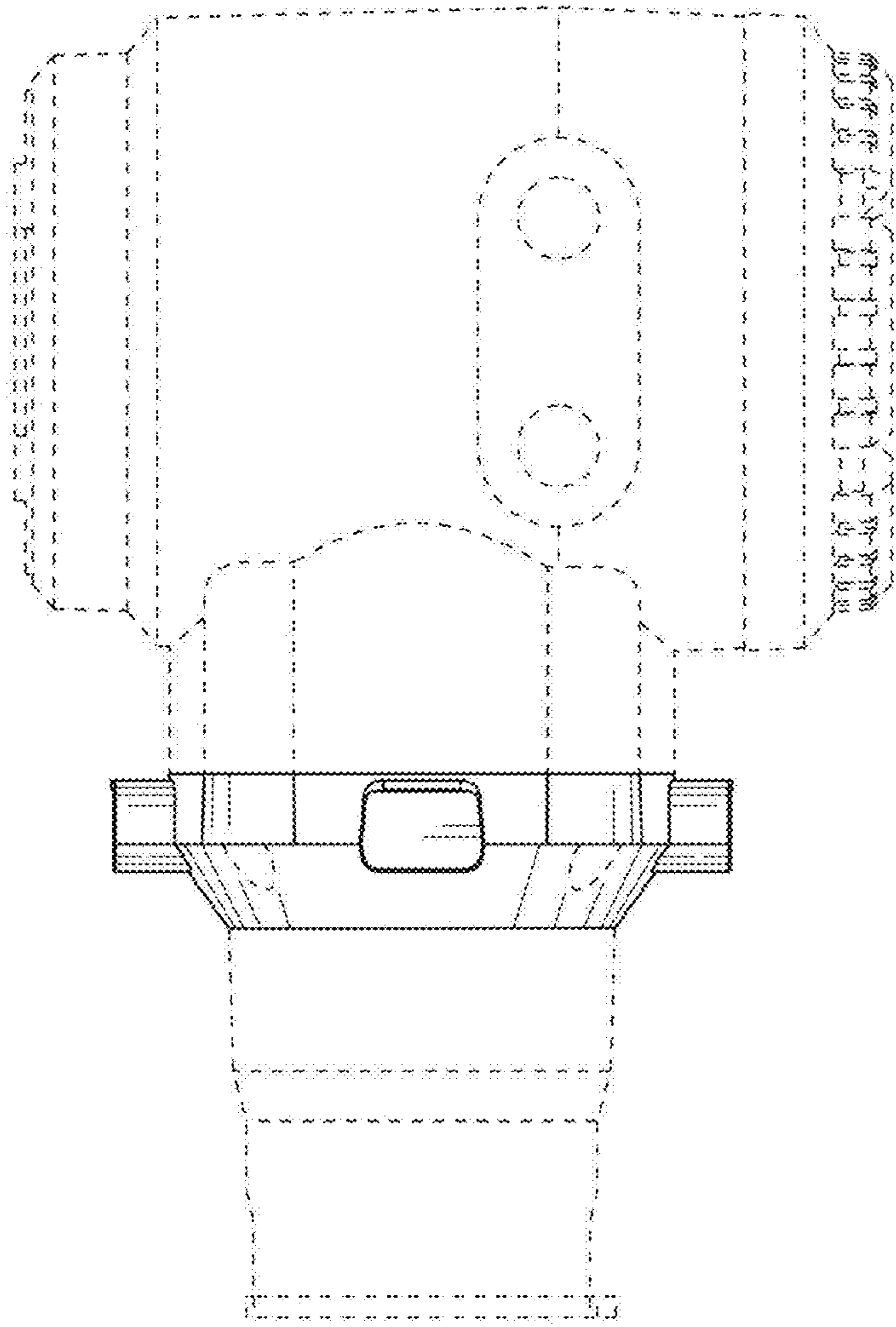


FIG. 4

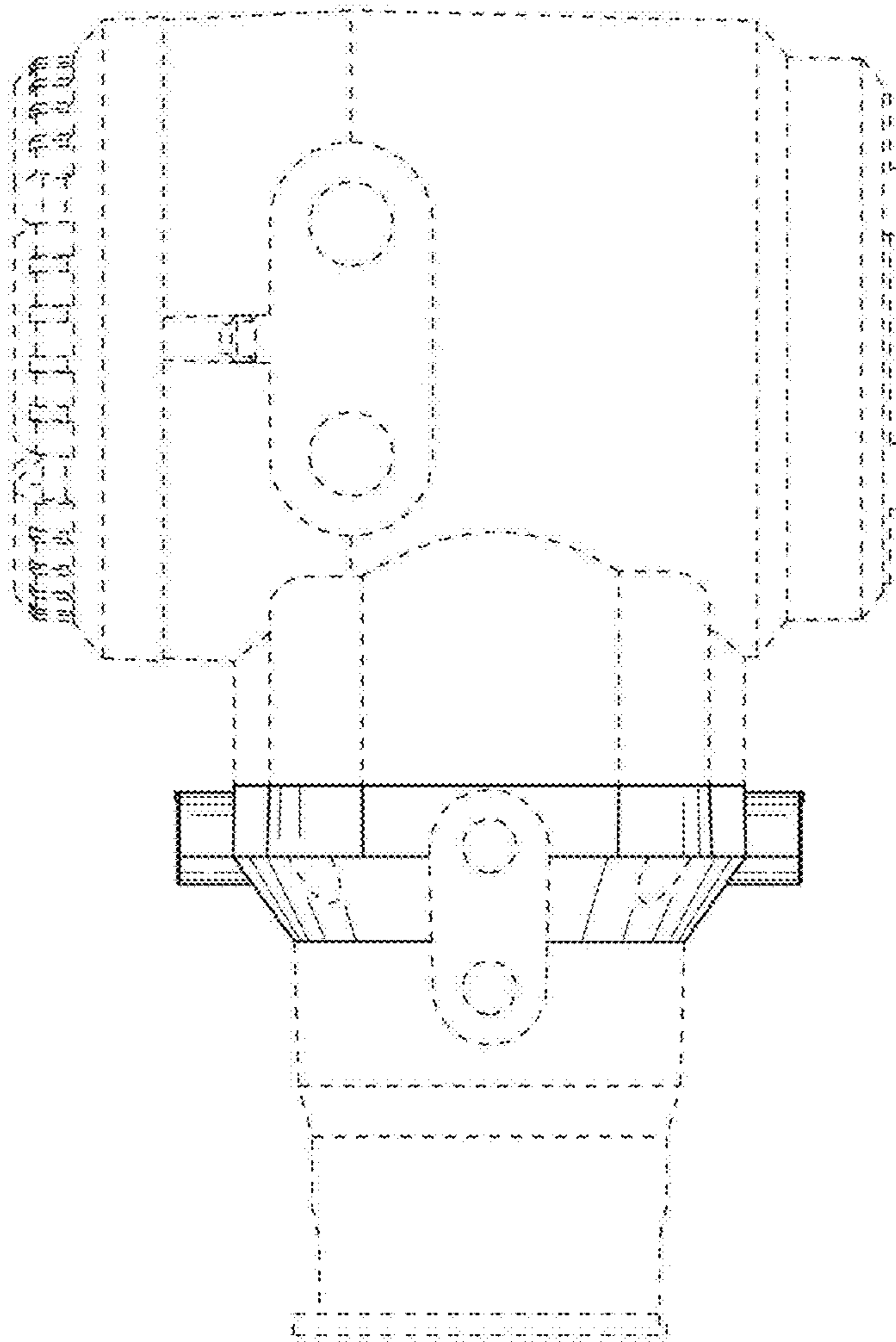


FIG. 5

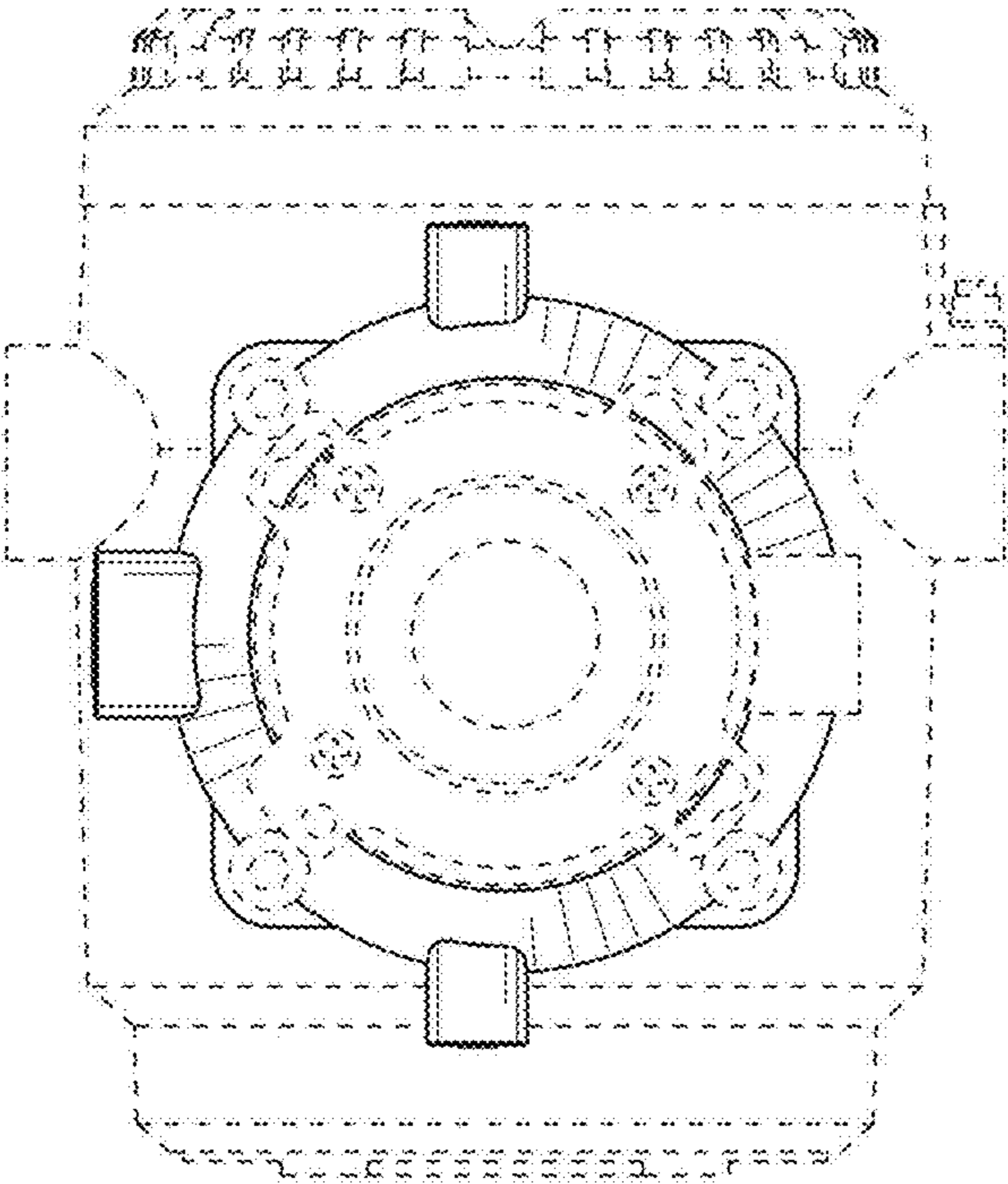


FIG. 6

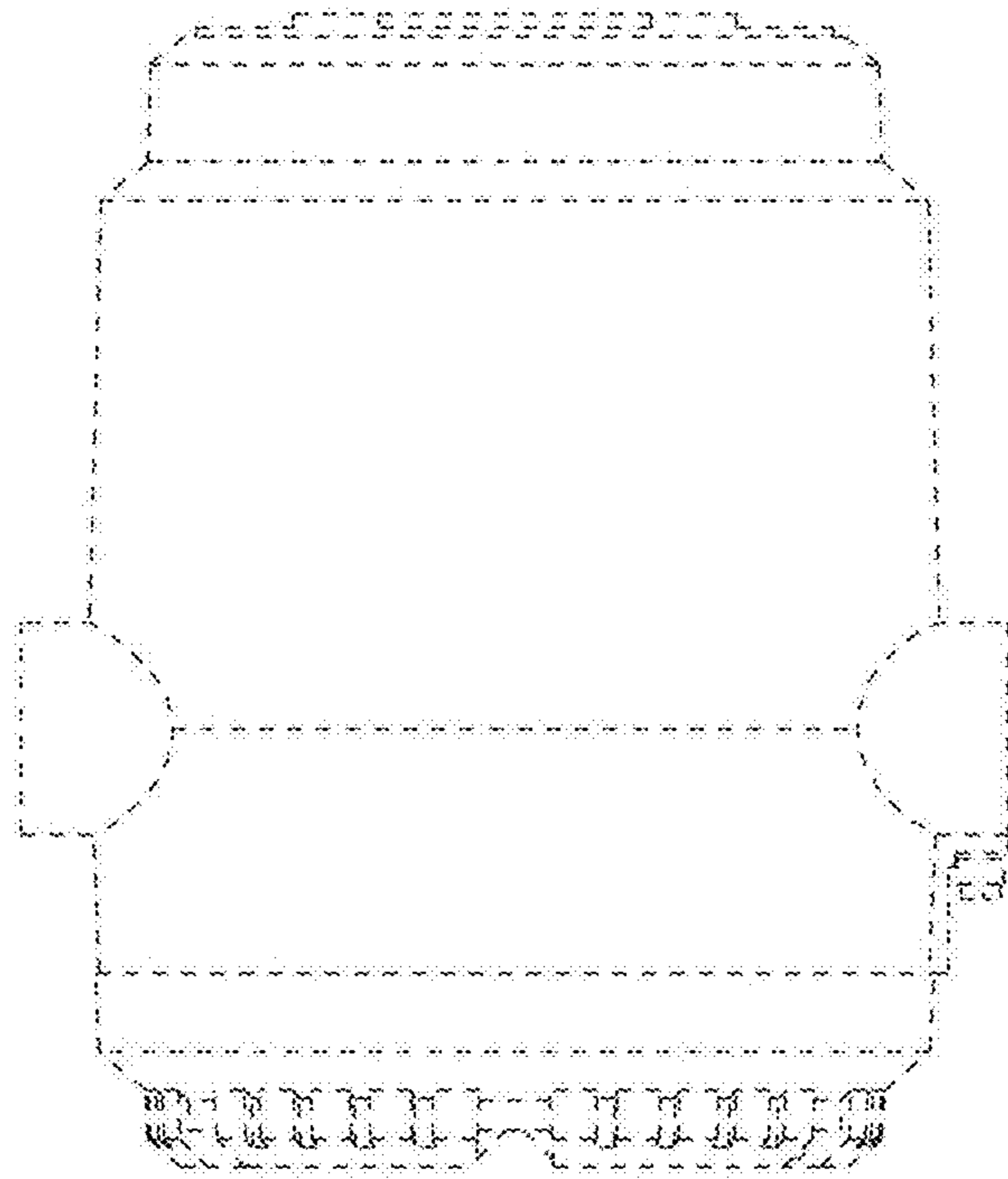


FIG. 7