



US00D919462S

(12) **United States Design Patent**
Yin et al.

(10) **Patent No.:** **US D919,462 S**
(45) **Date of Patent:** **** May 18, 2021**

(54) **MEASURING TAPE**

D668,565 S * 10/2012 Huang D10/72
D726,043 S * 4/2015 Cook D10/72
D805,930 S * 12/2017 Ou D10/72

(71) Applicant: **Shenzhen Aukeyhi Technology Co., Ltd.**, Shenzhen (CN)

(Continued)

(72) Inventors: **Xiaowei Yin**, Shenzhen (CN); **Huiyue Ze**, Shenzhen (CN)

FOREIGN PATENT DOCUMENTS

CN 304805477 * 5/2018
CN 305165133 * 1/2019

(Continued)

(73) Assignee: **Shenzhen Aukeyhi Technology Co., Ltd.**, Shenzhen (CN)

OTHER PUBLICATIONS

(**) Term: **15 Years**

MulWark Store, 26ft Measuring Tape Measure by Imperial Inch Metric Scale with Both-side Metal Blade, Date first available Jun. 12, 2017, [online]retrieved Jan. 22, 2021, available from internet https://www.amazon.com/MulWark-Measuring-Construction-Contractor-Woodworking/dp/B072KC4JF5/ref=psdc_553284_t4_ (Year: 2017).*

(Continued)

(21) Appl. No.: **29/717,757**

(22) Filed: **Dec. 19, 2019**

(30) **Foreign Application Priority Data**

Aug. 19, 2019 (EM) 006738670

(51) **LOC (13) Cl.** **10-04**

(52) **U.S. Cl.**
USPC **D10/72**

(58) **Field of Classification Search**
USPC D8/46, 61, 70-80; 33/701, 771, 751, 33/767, 762, 755, 758, 761
CPC A63B 67/068; G01B 3/1005; G01B 2003/1012; G01B 3/1003; G01B 3/10; G01B 2003/1058; G01B 3/1041; G01B 3/1069; G01B 3/102; G01B 1/00; G01B 2003/1097

See application file for complete search history.

Primary Examiner — Keli L Hill
Assistant Examiner — Sara S Sahneh
(74) *Attorney, Agent, or Firm* — Westbridge IP LLC

(57) **CLAIM**

The ornamental design for a measuring tape, as shown and described.

DESCRIPTION

FIG. 1 is a front perspective view of a measuring tape showing our new design;
FIG. 2 is a rear perspective view thereof;
FIG. 3 is a front elevational view thereof;
FIG. 4 is a rear elevational view thereof;
FIG. 5 is a left side view thereof;
FIG. 6 is a right side view thereof;
FIG. 7 is a top plan view thereof; and,
FIG. 8 is a bottom plan view thereof.

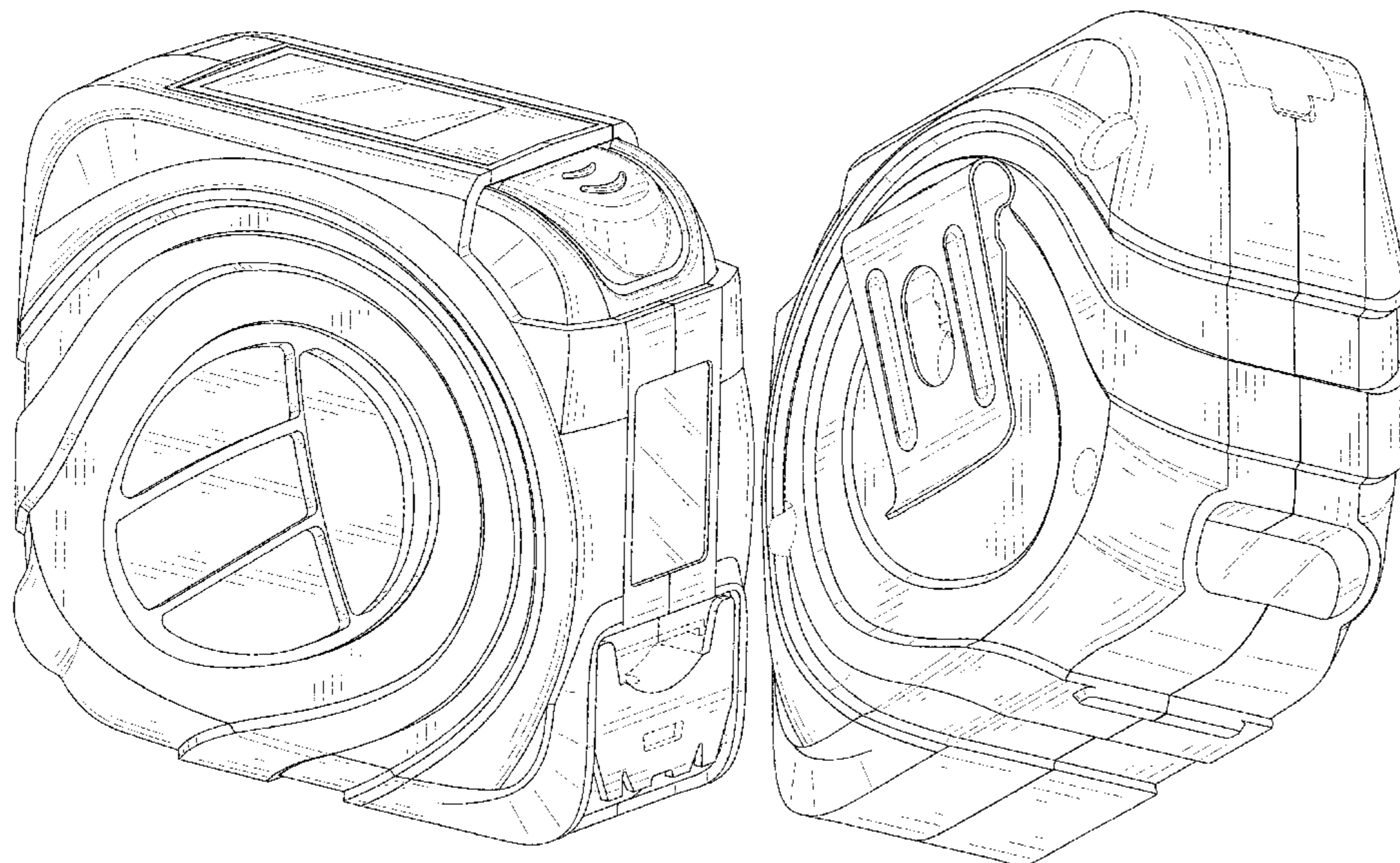
The evenly broken lines in the drawings illustrate portions of the measuring tape that form no part of the claimed design.

(56) **References Cited**

U.S. PATENT DOCUMENTS

D424,955 S * 5/2000 Hizawa D10/72
D504,836 S * 5/2005 Wang D10/72
D507,197 S * 7/2005 Sun D10/72
7,185,445 B2 * 3/2007 Rhead G01B 3/1056
33/755

1 Claim, 8 Drawing Sheets



(56)

References Cited

U.S. PATENT DOCUMENTS

D856,175	S *	8/2019	Anderson	D10/72
D881,043	S *	4/2020	Shao	D10/69
D884,514	S *	5/2020	Jung	D10/72
D894,765	S *	9/2020	DeLeo	D10/74
2007/0101599	A1 *	5/2007	Levine	G01B 3/1005 33/755
2012/0285030	A1 *	11/2012	Carl	G01B 3/1041 33/760

FOREIGN PATENT DOCUMENTS

CN		305215537	*	2/2019
CN		305365913	*	4/2019
EM		004685592-0002	*	1/2018
KR		300988309.0000	*	4/2018
KR		300984137.0000	*	7/2018

OTHER PUBLICATIONS

Tacklife Store, LaserTape Measure 2-in-1, Laser Measure 131 Ft, Date first available Feb. 12, 2019, [online]retrieved Jan. 22, 2021, available from internet https://www.amazon.com/Measure-Digital-Magnetic-Screwdriver-Construction/dp/B07NMSBRSD/ref=sr_1 (Year: 2019).*

Minzhi, Measure King 3-in-1 Digital Tape Measure String Mode Precise Roller Mode Universal Measuring Tool, Date first available Jul. 21, 2018, [online]retrieved Jan. 22, 2021, available from internet https://www.amazon.com/Minzhi-Measure-Digital-Universal-Measuring/dp/B07F85Z86Y/ref=psdc_553284_t4 (Year: 2018).*

LEXIVON [2-Pack] 16Ft/5m DuaLock Tape Measure | 1-Inch Wide Blade with Nylon Coating, Date first available Dec. 28, 2018, [online]retrieved Jan. 22, 2021, available from internet https://www.amazon.com/LEXIVON-DuaLock-Measure-Fractions-LX-208/dp/B07M9ZK3M1/ref=pd_di_sccai_6/133-9953152-34523 (Year: 2018).*

* cited by examiner

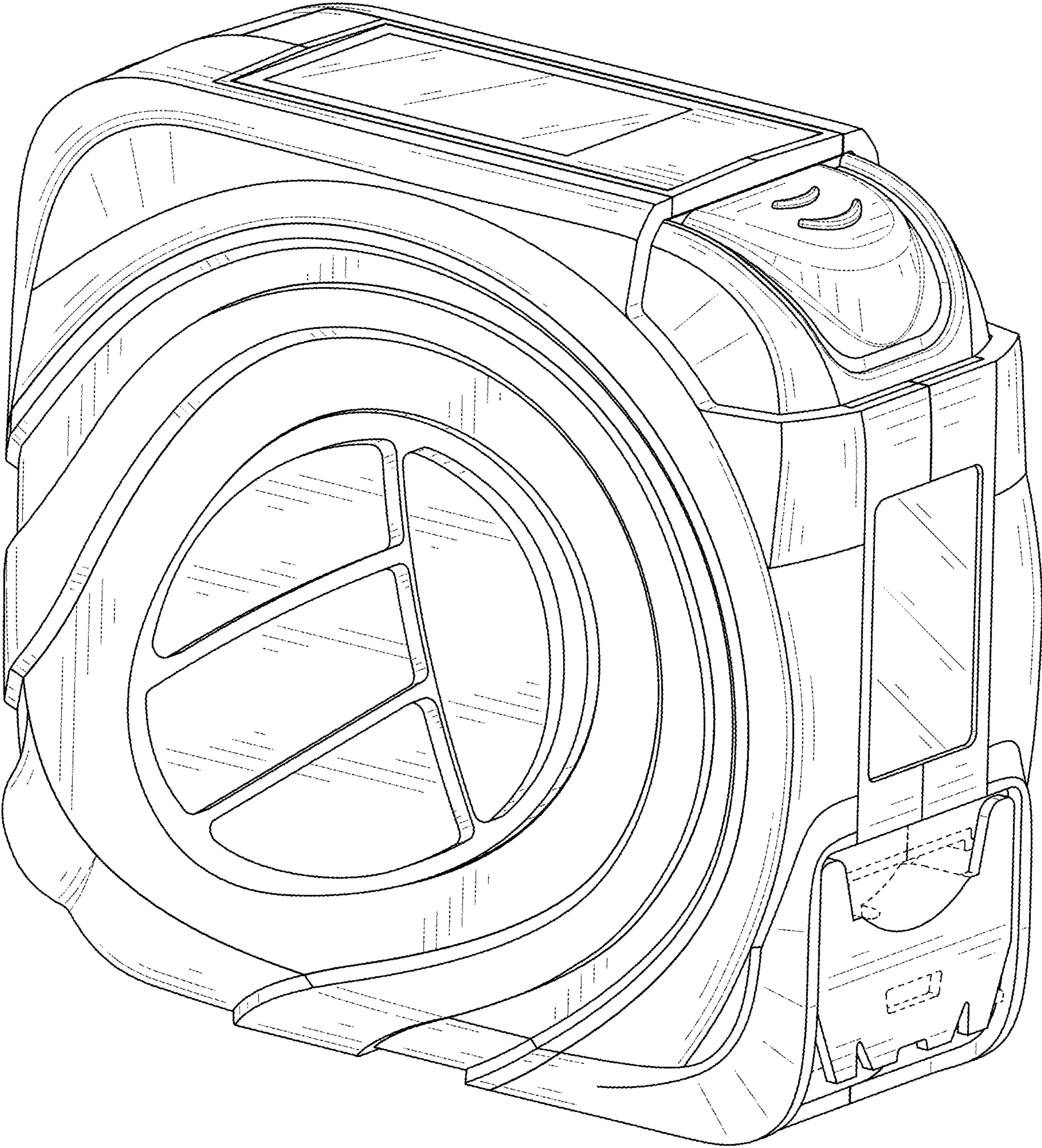


FIG. 1

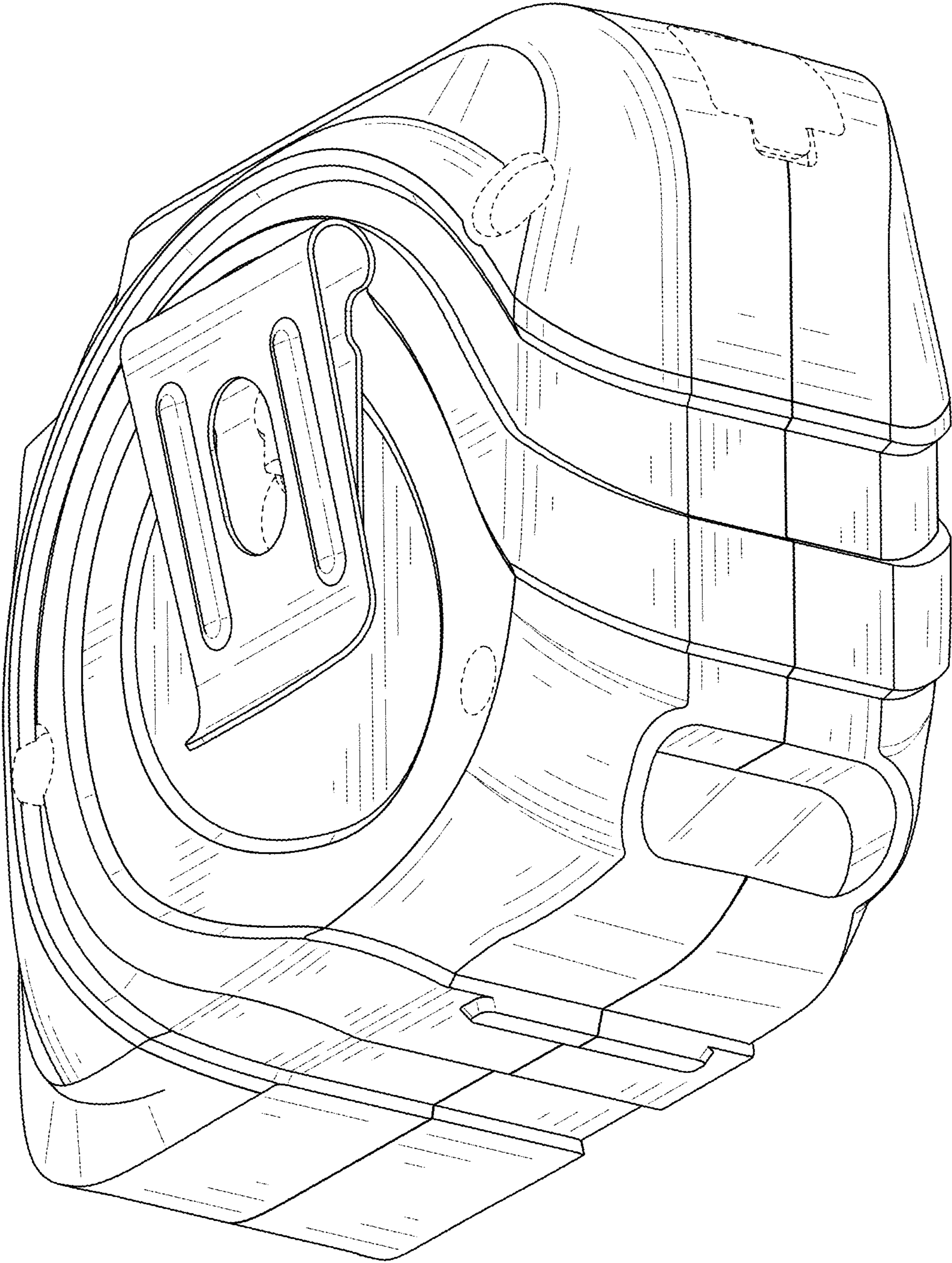


FIG. 2

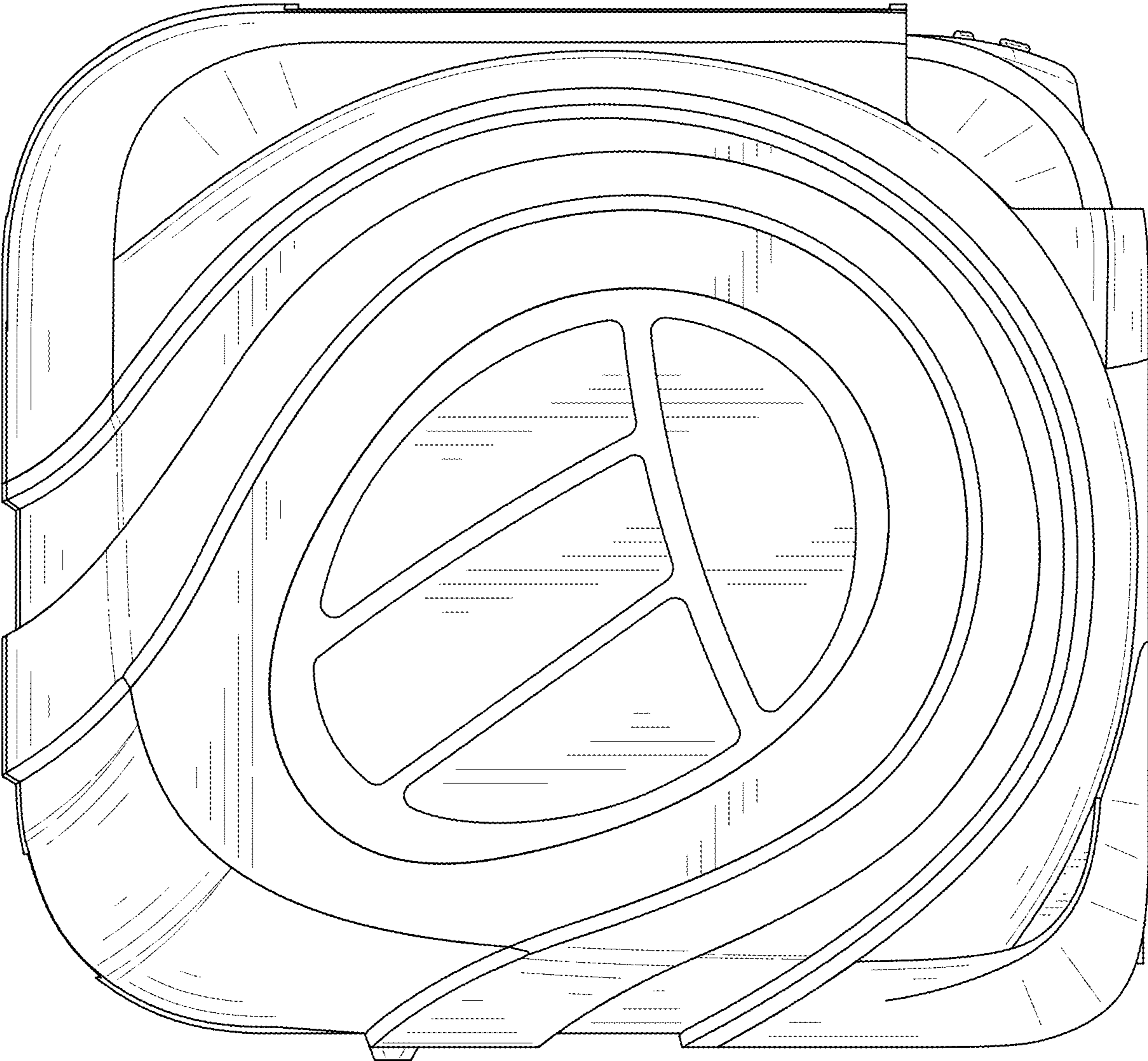


FIG. 3

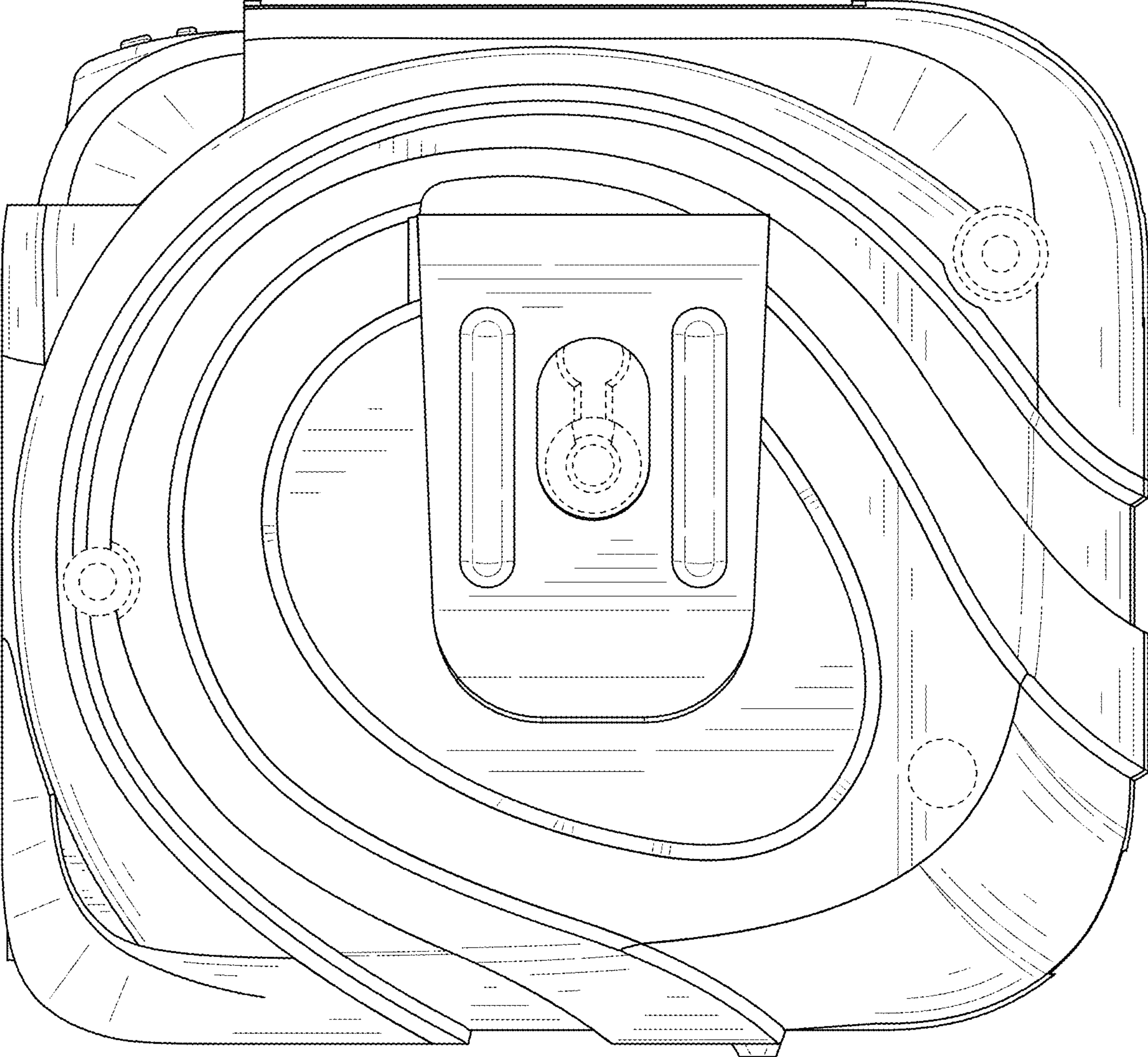


FIG. 4

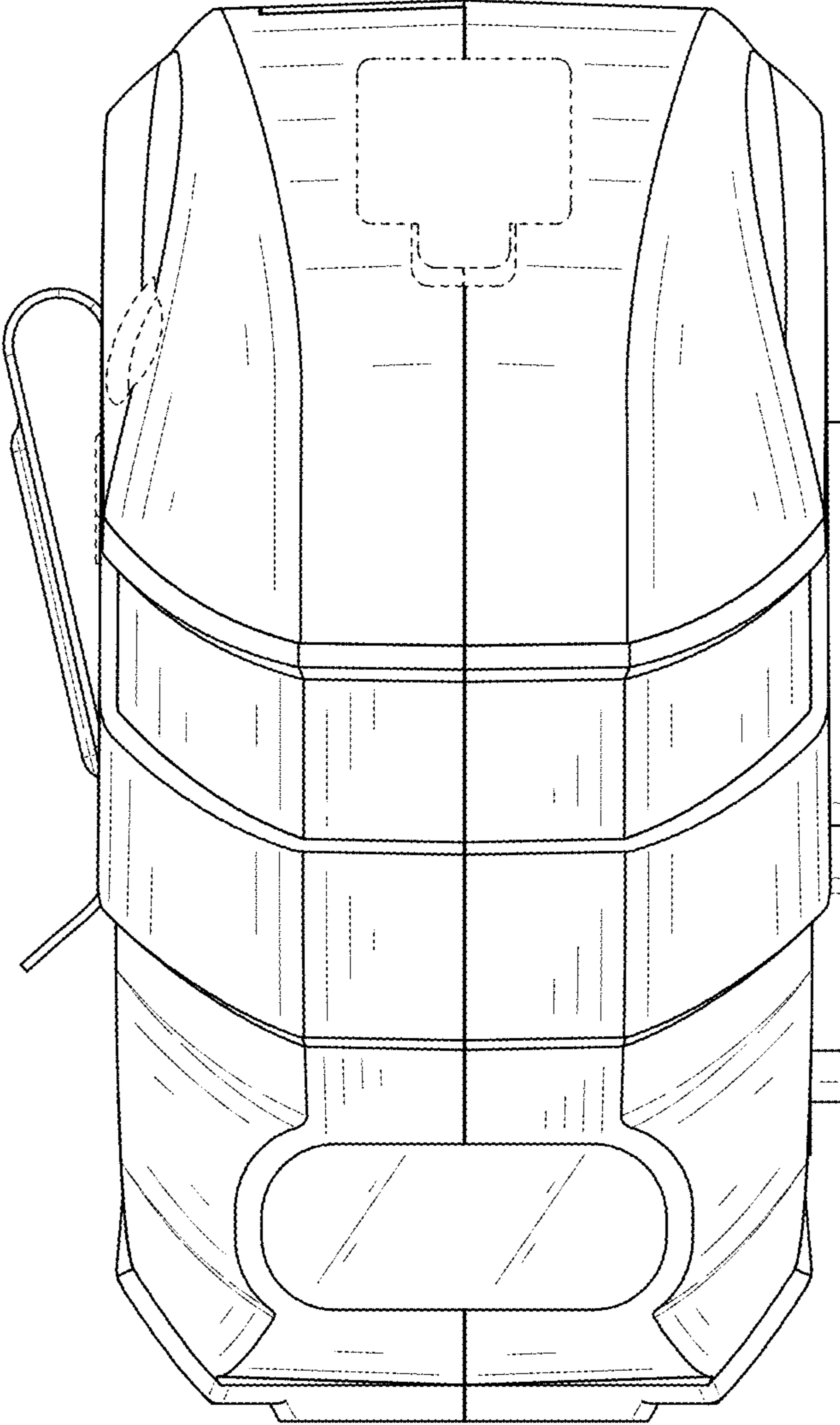


FIG. 5

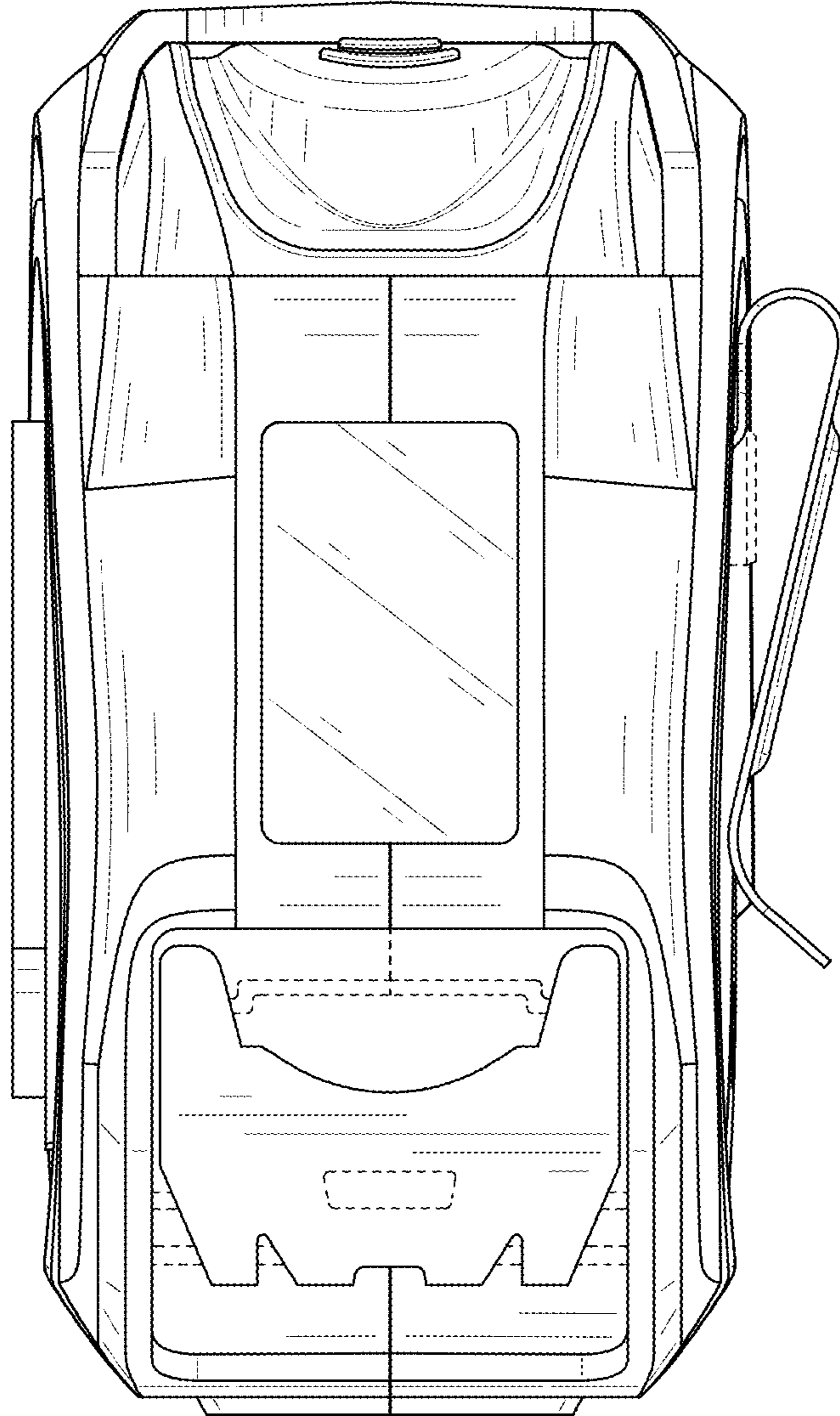


FIG. 6

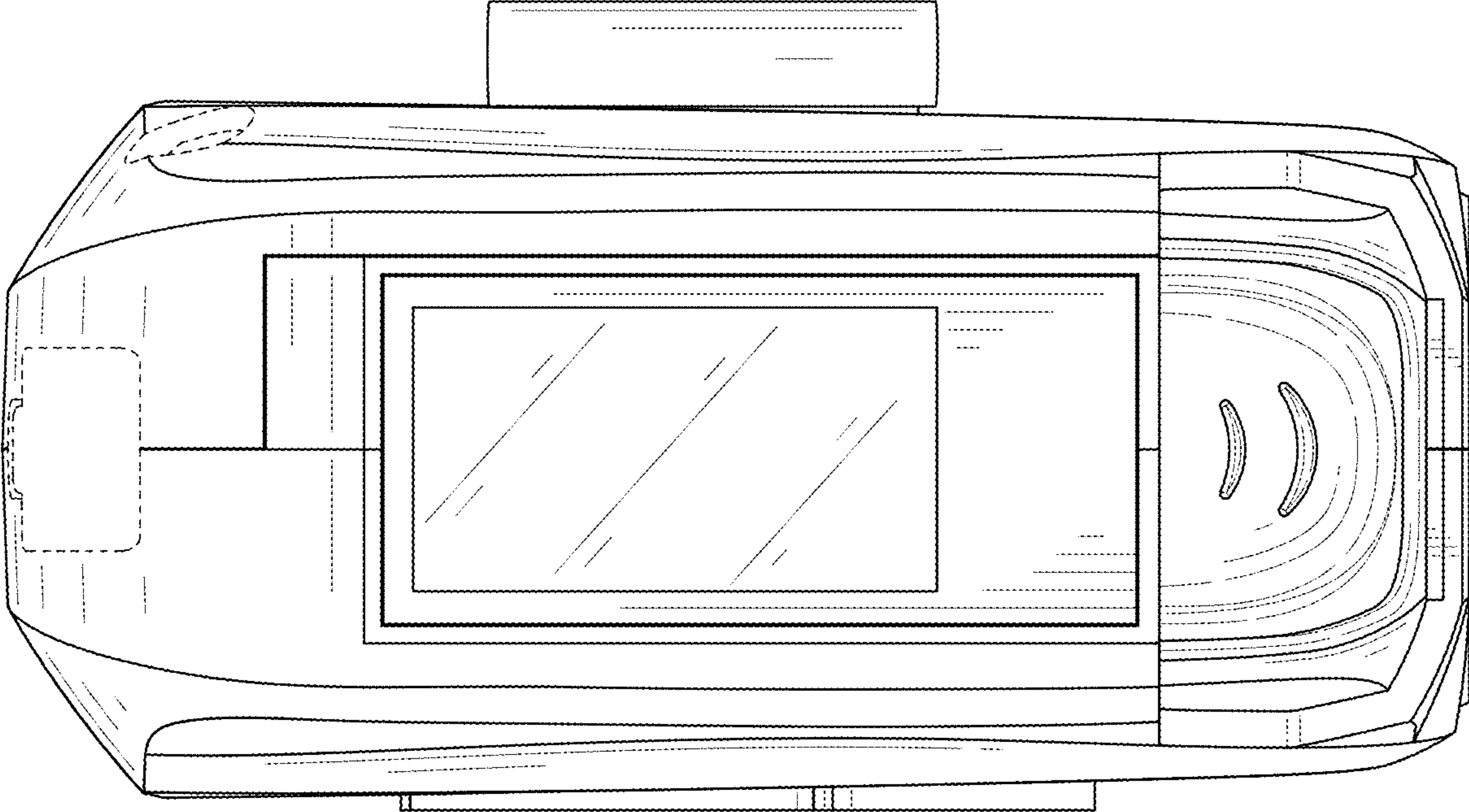


FIG. 7

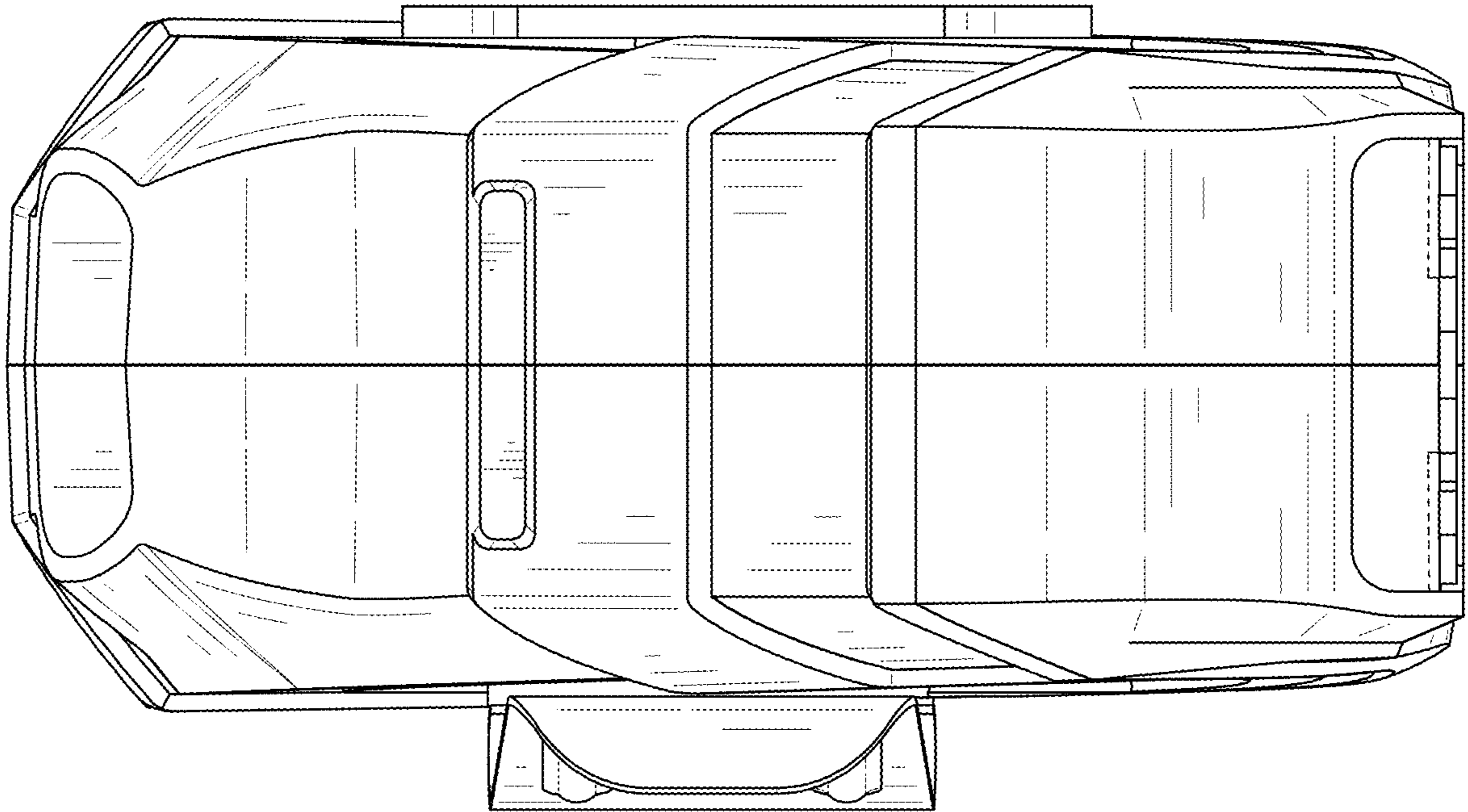


FIG. 8