



US00D919461S

(12) **United States Design Patent** (10) **Patent No.:** **US D919,461 S**
Jones, II et al. (45) **Date of Patent:** **** May 18, 2021**

(54) **SENSOR COMPONENT COVER**
(71) Applicant: **Lyft, Inc.**, San Francisco, CA (US)
(72) Inventors: **Alfred Charles Jones, II**, San Jose, CA (US); **Eric Daniel Fields**, Oakland, CA (US); **Steve Chen**, Milpitas, CA (US); **David Bearl DeVore**, Daly City, CA (US); **Steven Son Khau**, Belmont, CA (US); **David Timothy Milton**, San Jose, CA (US)
(73) Assignee: **Lyft, Inc.**, San Francisco, CA (US)
(**) Term: **15 Years**
(21) Appl. No.: **29/696,684**
(22) Filed: **Jun. 28, 2019**
(51) **LOC (13) Cl.** **10-04**
(52) **U.S. Cl.**
USPC **D10/70; D12/400**
(58) **Field of Classification Search**
USPC D10/70, 106.6, 104, 106.1, 104.1, 104.2, D10/106.7, 106.8, 106.9, 106.92, 106.95, D10/114.1, 118, 118.2, 121, 116, 61, 62, D10/63, 64, 65, 69, 71; D12/400, 607, D12/107, 110, 114, 115, 117, 126, 401, D12/415, 404, 182, 173, 172, 187, 188, D12/190, 197; D15/10, 22-26, 28, 31, D15/33
CPC G01S 13/325; G01D 5/3473
See application file for complete search history.

D797,646 S * 9/2017 Ghannam D12/400
D809,995 S * 2/2018 Ghannam D12/400
D825,357 S * 8/2018 Ahn D10/70

(Continued)

Primary Examiner — Susan E Krakower
Assistant Examiner — Jerry Shiuan-Hua Hsu
(74) *Attorney, Agent, or Firm* — Baker Botts L.L.P.

(57) **CLAIM**

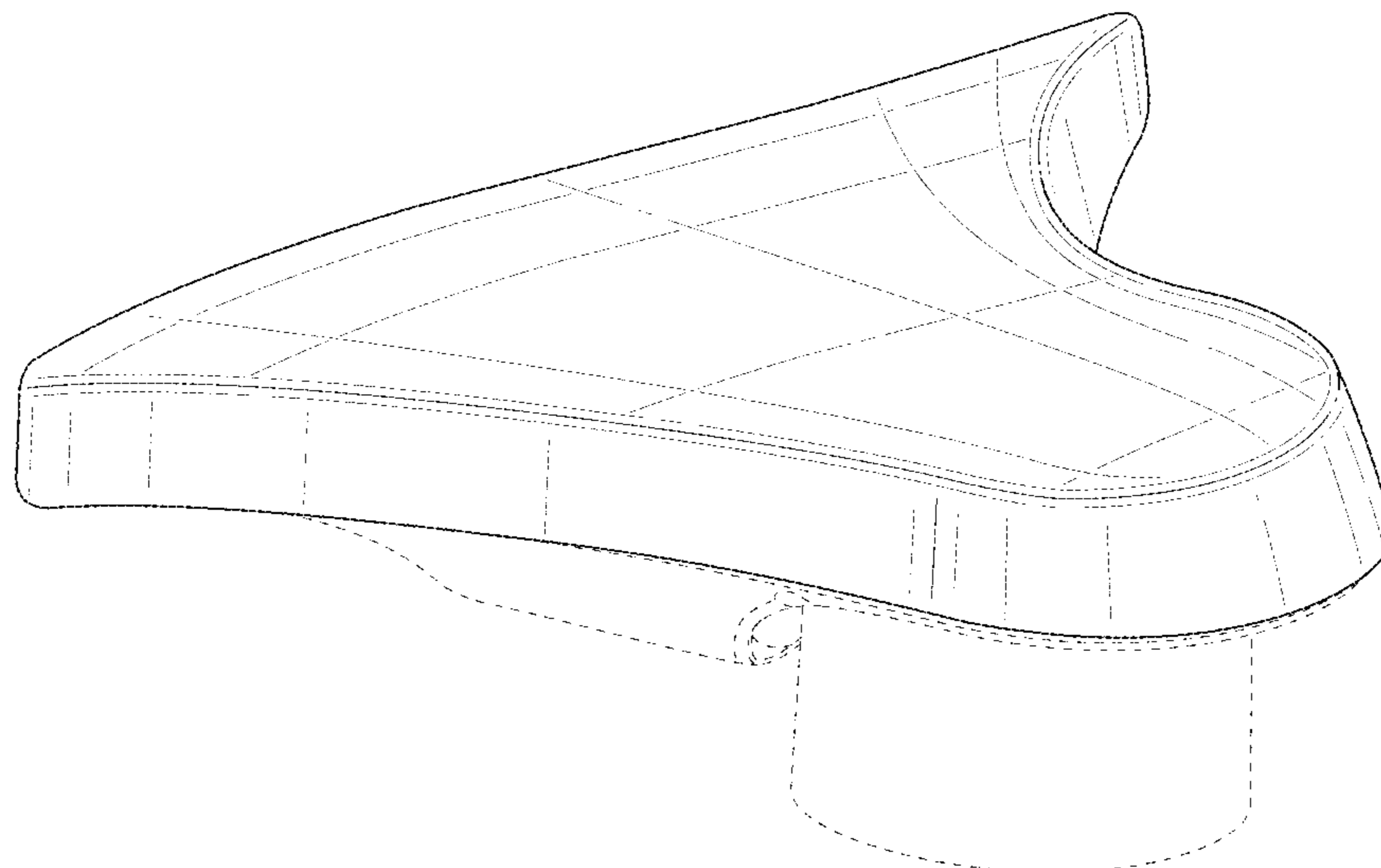
The ornamental design for a sensor component cover, as shown and described.

DESCRIPTION

FIG. 1 is a perspective view of a sensor component cover, illustrating a new design.
FIG. 2 is a front view thereof.
FIG. 3 is a rear view thereof.
FIG. 4 is a left view thereof.
FIG. 5 is a right view thereof.
FIG. 6 is a top view thereof.
FIG. 7 is a bottom view thereof.
FIG. 8 is a rear perspective view thereof.
FIG. 9 is an enlarged top, right perspective view thereof shown with a portion of a vehicle, in an exemplary use.
FIG. 10 is a top, right perspective view thereof shown with a top, right perspective view of a vehicle, in an exemplary use.
FIG. 11 is a right, side view thereof shown with a right, side view of a vehicle, in an exemplary use.
FIG. 12 is a top view thereof shown with a top view of a vehicle, in an exemplary use; and,
FIG. 13 is a front view thereof shown with a front view of a vehicle, in an exemplary use.
Illustrations in broken lines in FIGS. 1-8 depict portions of the sensor component cover that form no part of the claimed design. Illustrations in broken lines in FIGS. 9-13 depict a vehicle environmental structure that forms no part of the claimed design. The broken lines illustrating symbolic break lines in FIG. 9 form no part of the claimed design.

1 Claim, 13 Drawing Sheets

(56) **References Cited**
U.S. PATENT DOCUMENTS
D294,922 S * 3/1988 Nagy D12/126
D345,127 S * 3/1994 Stenglein D12/126
D778,184 S * 2/2017 Kikstra D10/70
D789,427 S * 6/2017 Jackson D15/28
D797,584 S * 9/2017 Venth D10/65



(56)

References Cited

U.S. PATENT DOCUMENTS

D825,365 S * 8/2018 Van Der Bijl D10/104.1
D829,120 S * 9/2018 Mitchell D10/104.1
D834,971 S * 12/2018 Ahn D10/70
D838,230 S * 1/2019 Ghannam D12/400
D838,231 S * 1/2019 Ghannam D12/400
D839,109 S * 1/2019 Janse D10/70
D858,381 S * 9/2019 Ahn D12/173
D869,320 S * 12/2019 Wang D10/106.6
D885,213 S * 5/2020 Dreyer D10/70
2006/0022531 A1* 2/2006 Tenca G01D 5/3473
310/66
2017/0293016 A1* 10/2017 McCloskey G01S 13/325

* cited by examiner

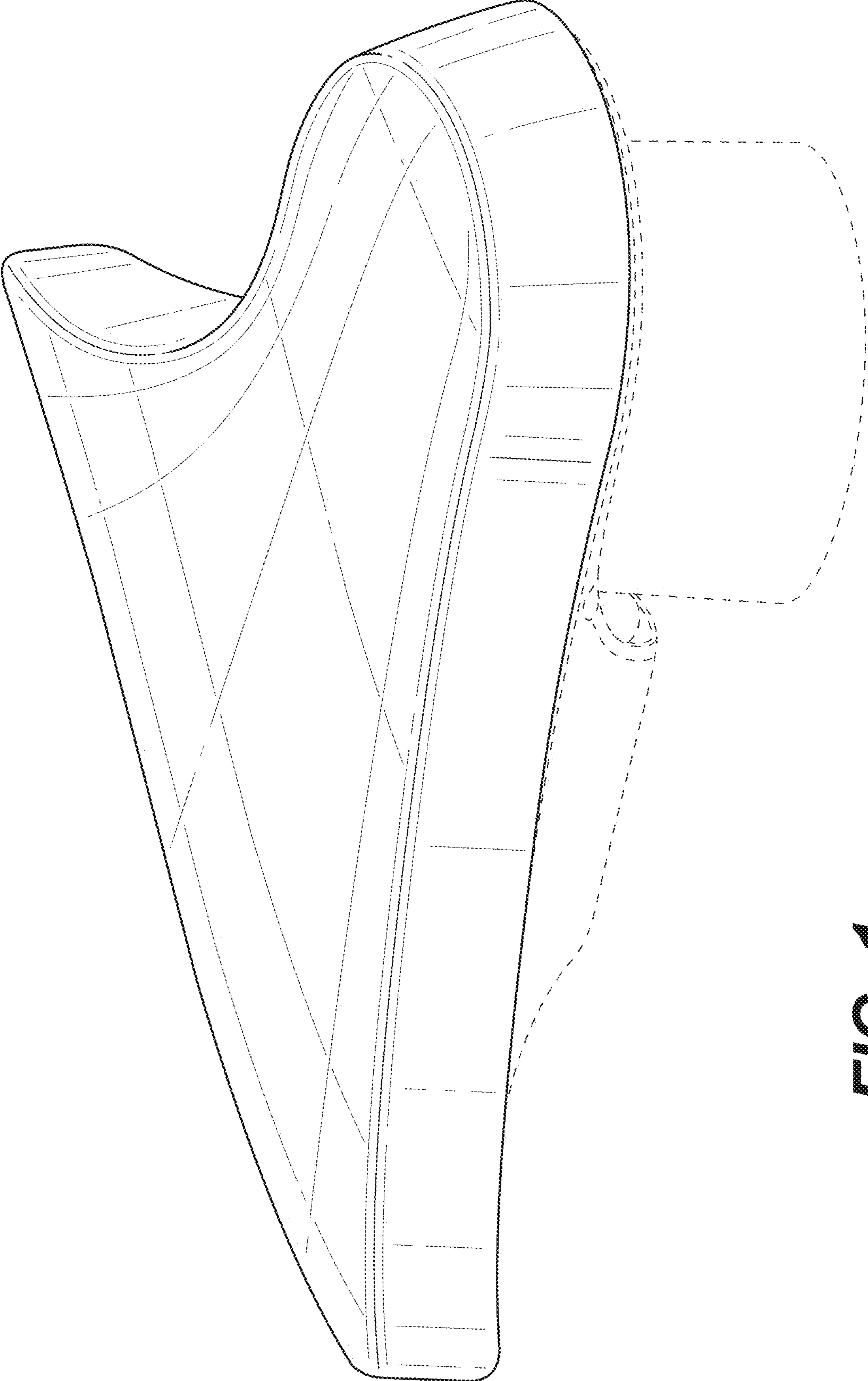


FIG. 1

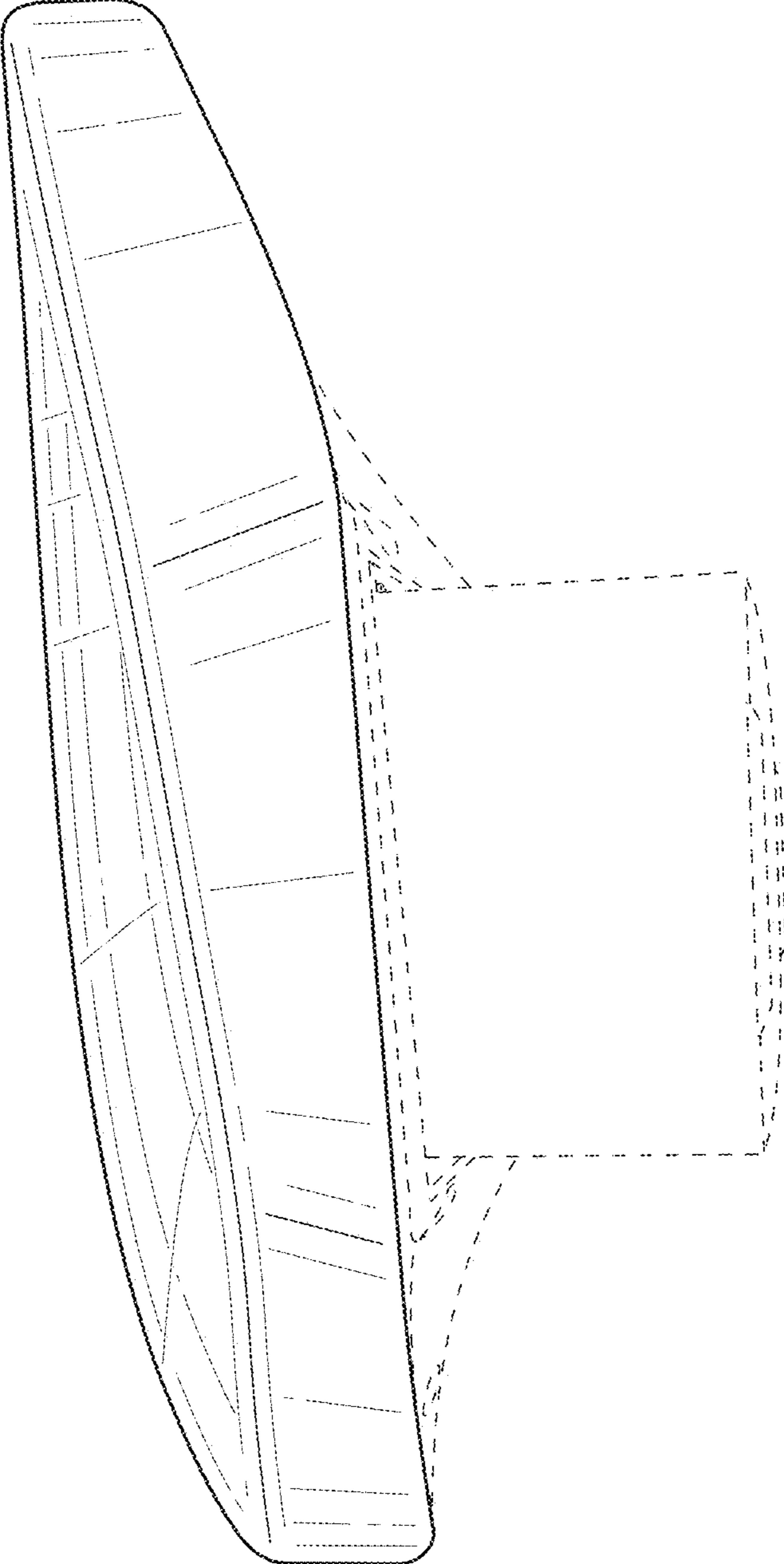


FIG. 2

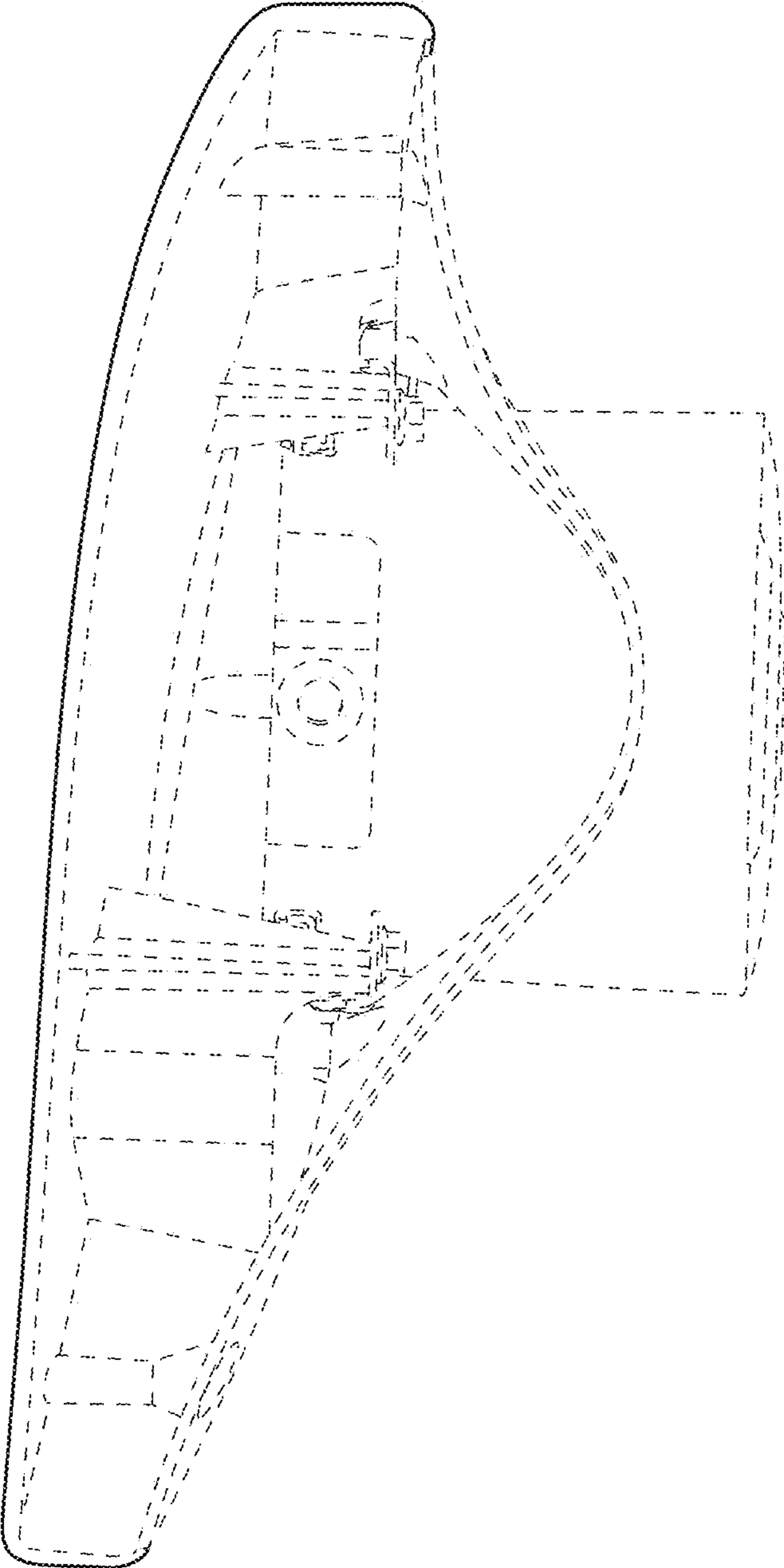


FIG. 3

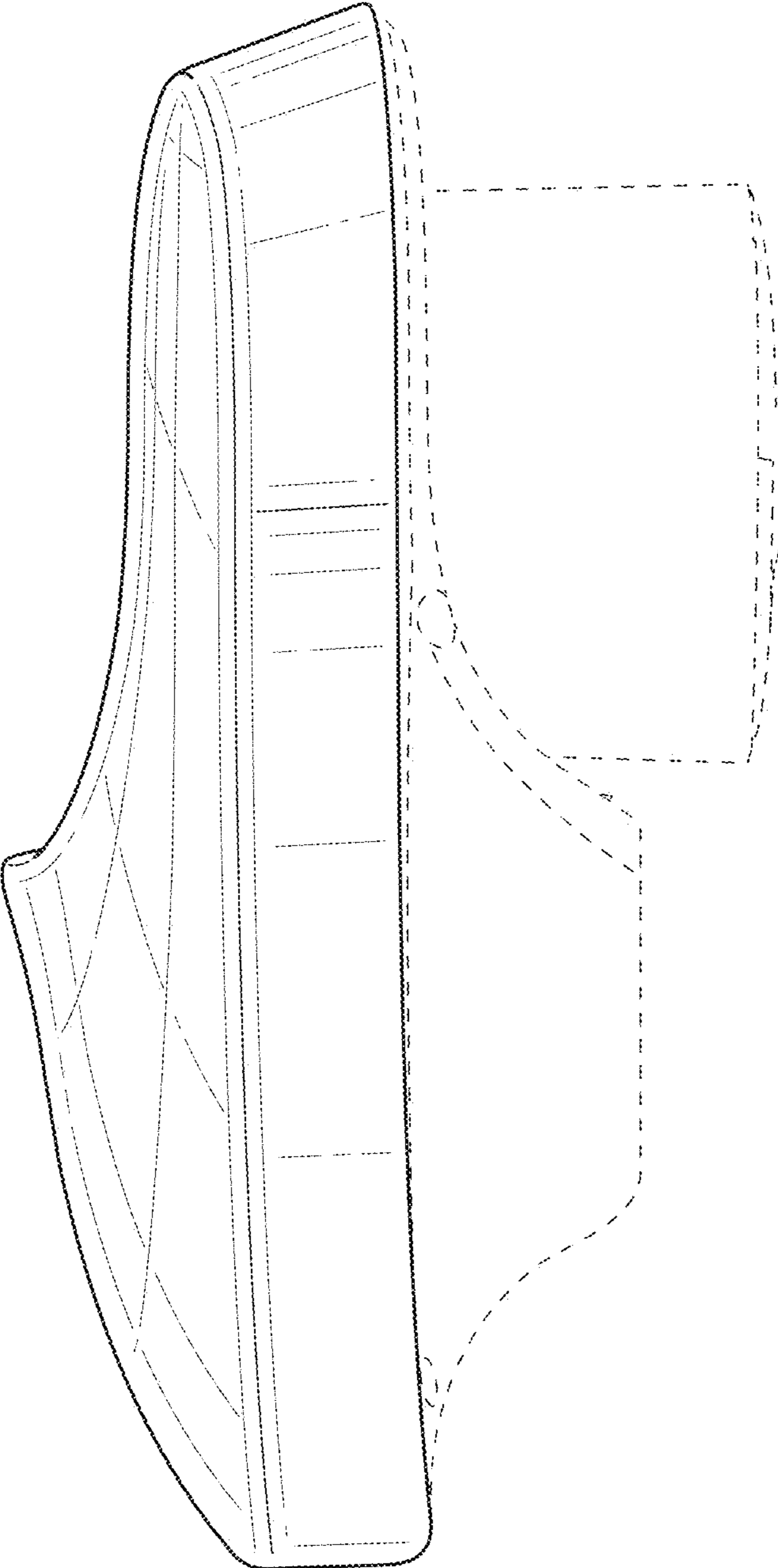


FIG. 4

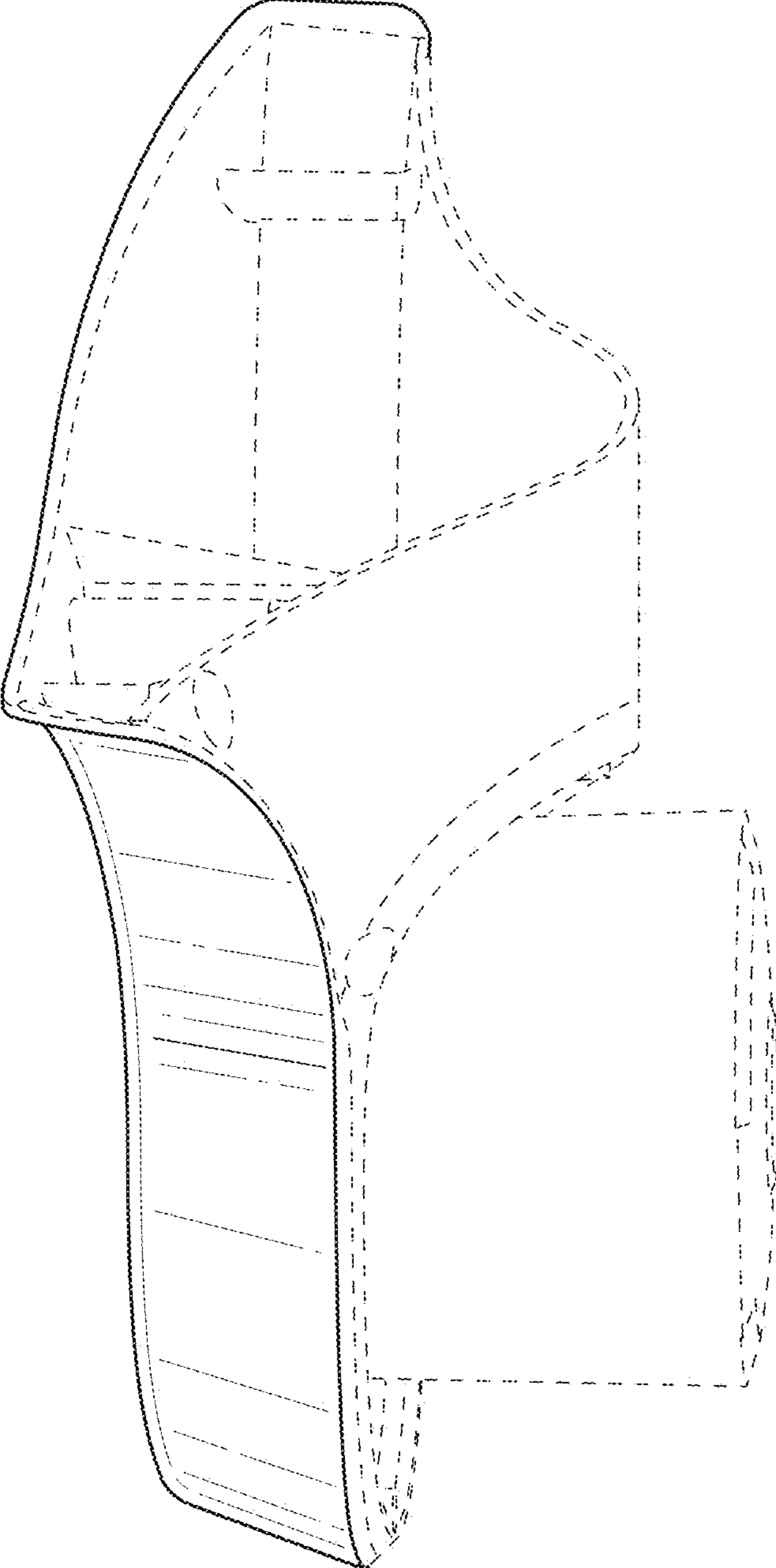


FIG. 5

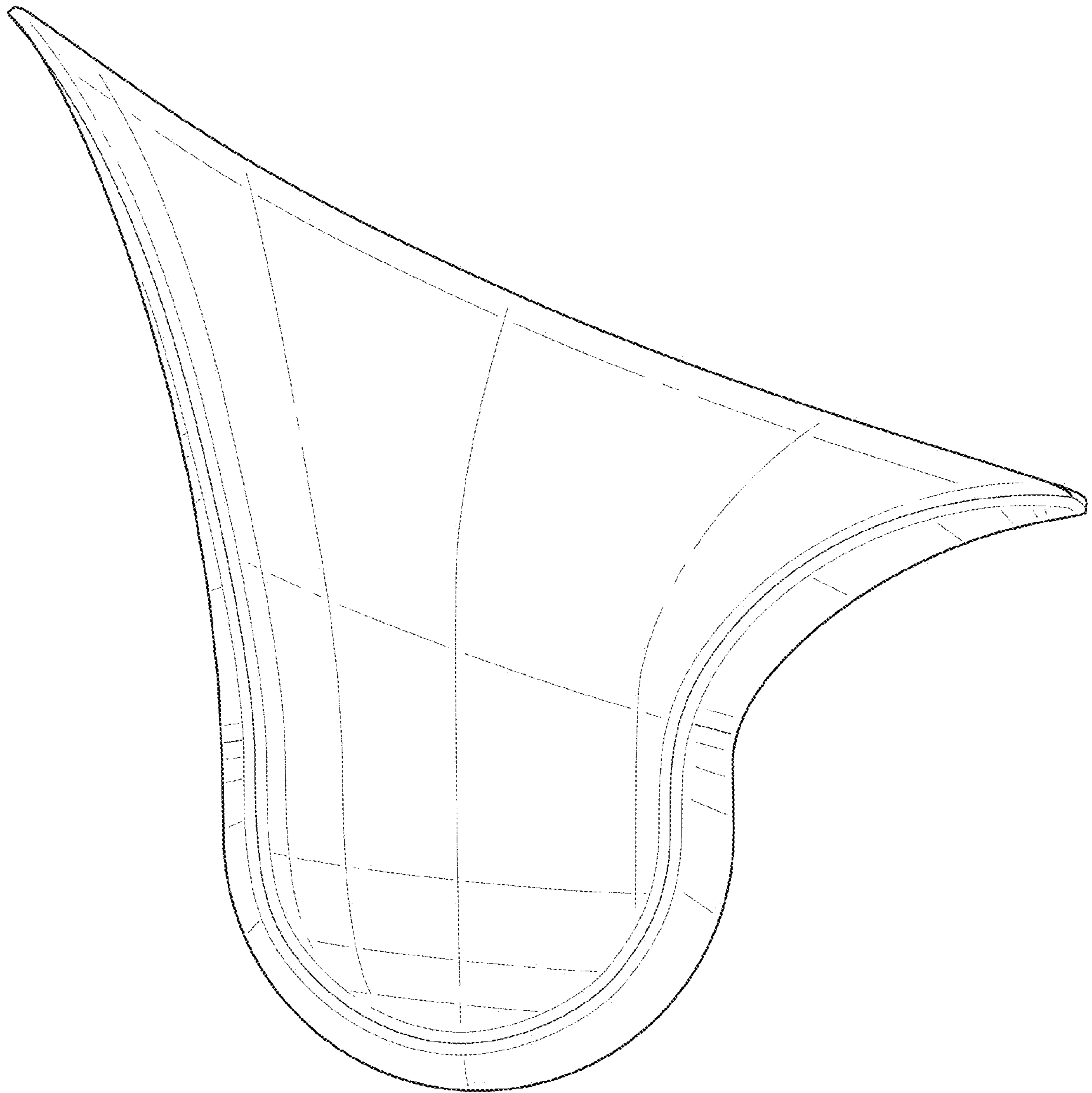


FIG. 6

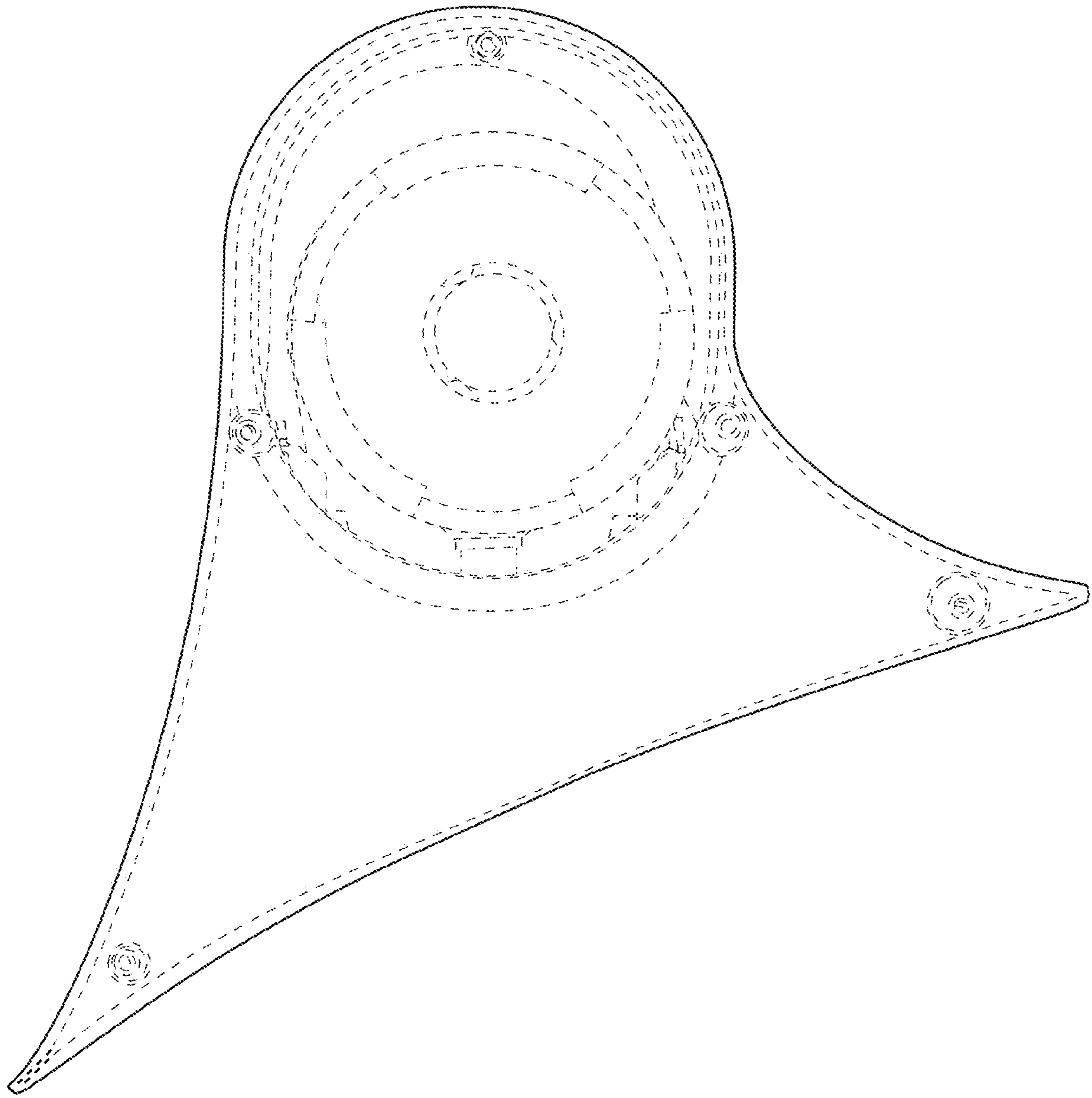


FIG. 7

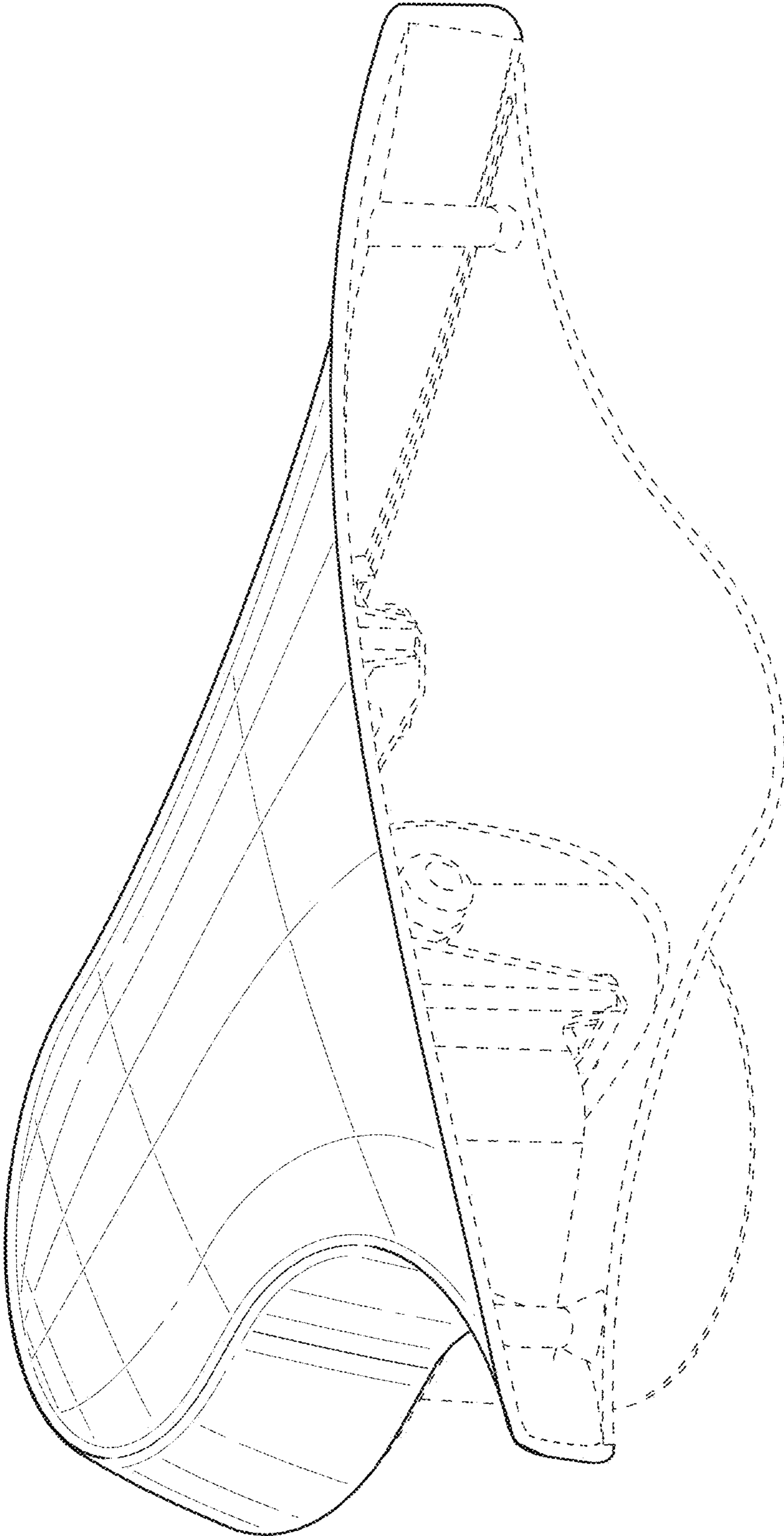


FIG. 8

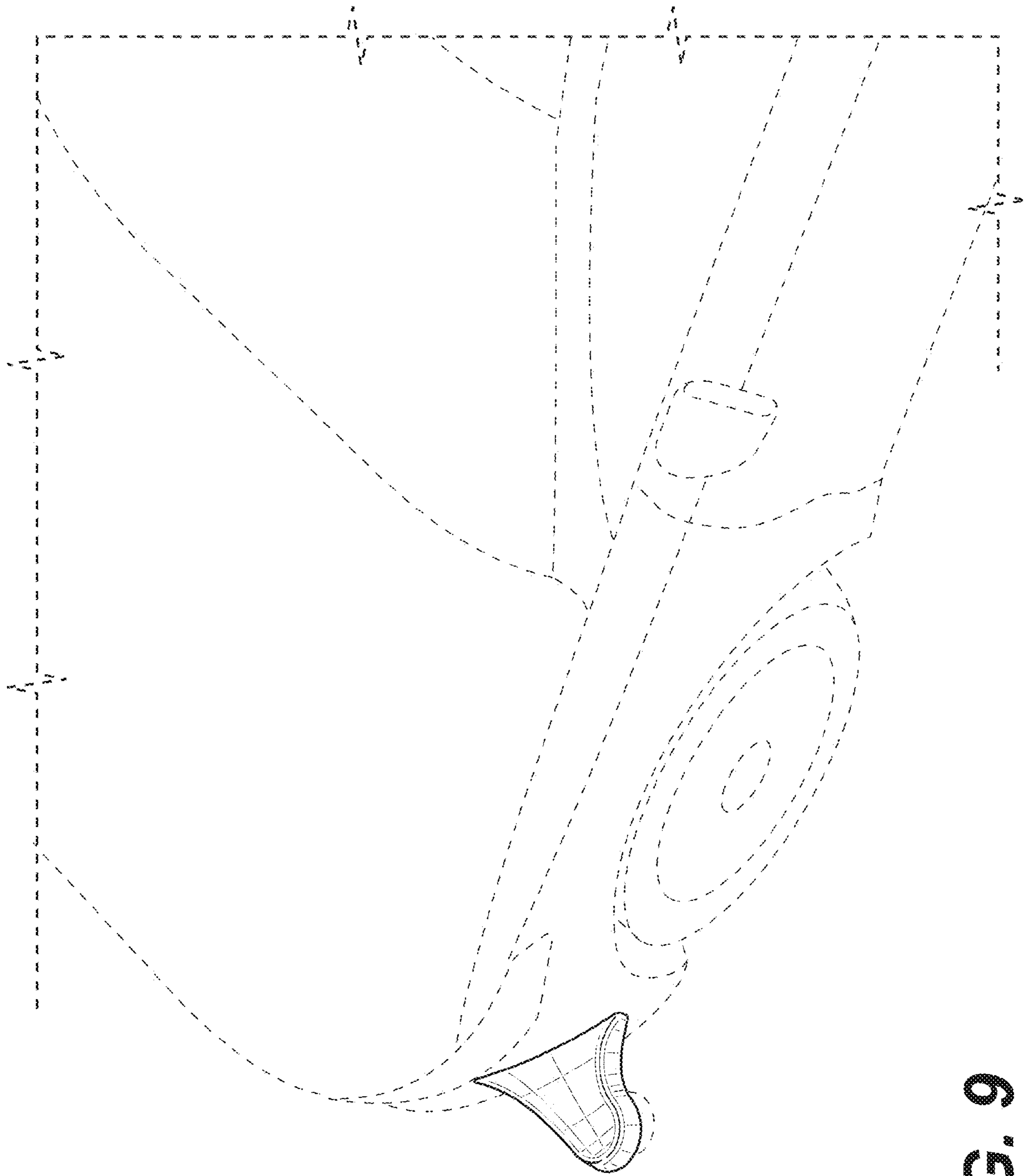


FIG. 9

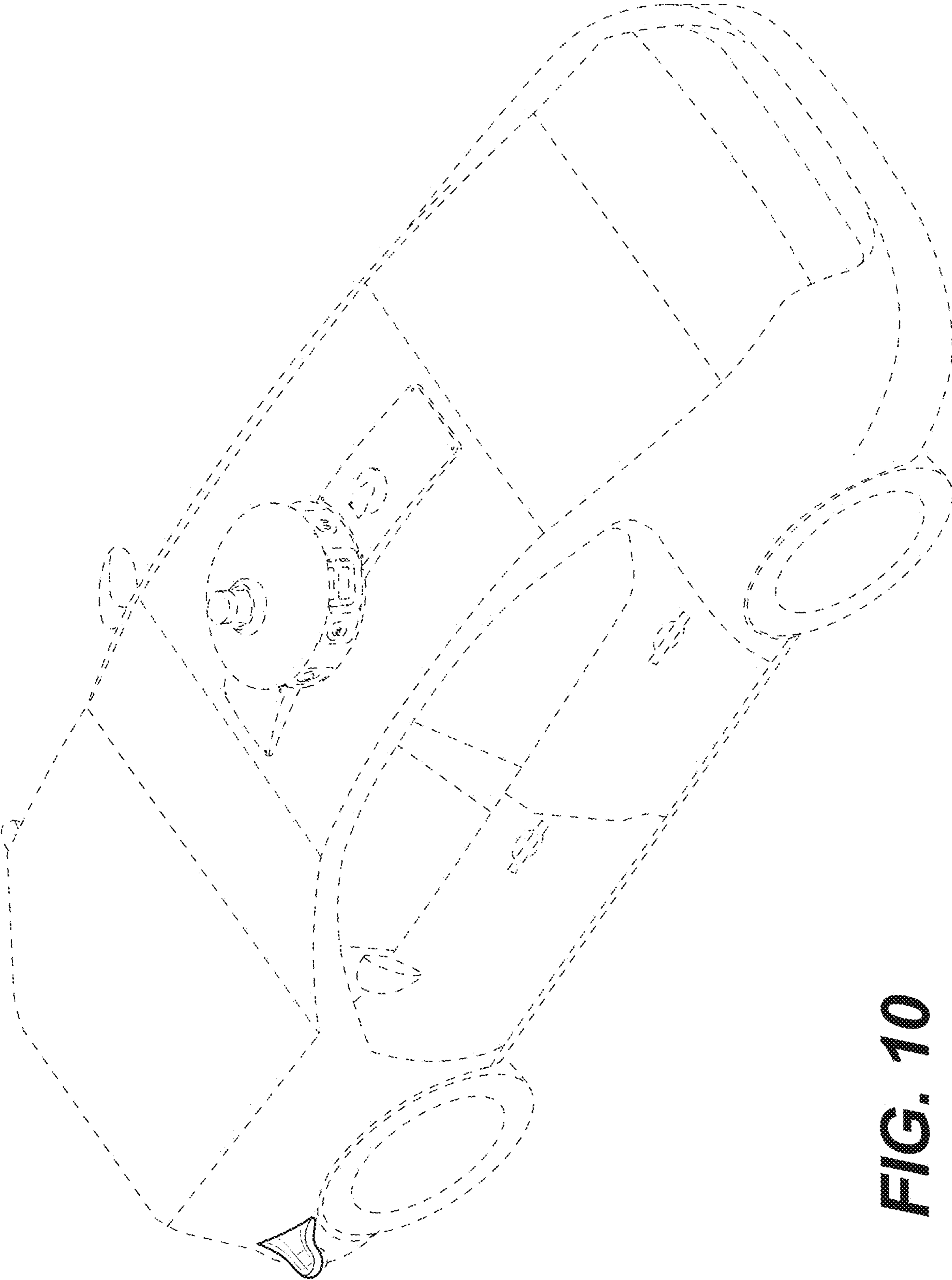


FIG. 10

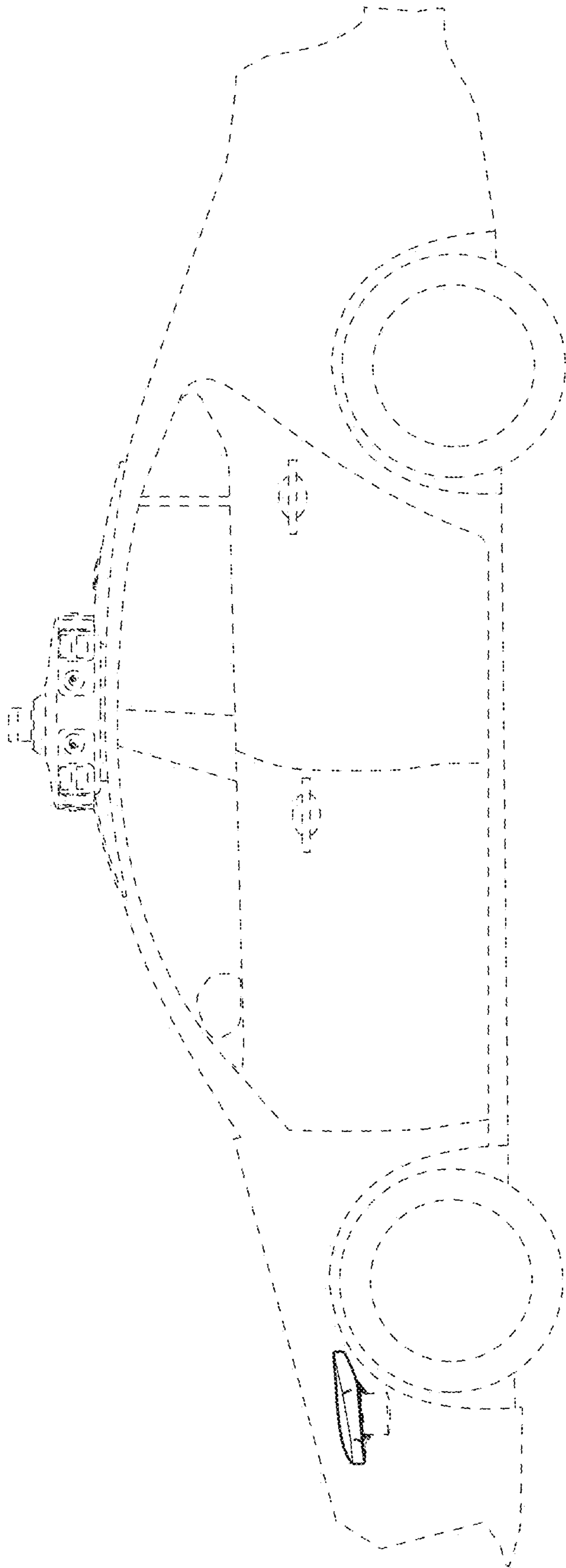


FIG. 11

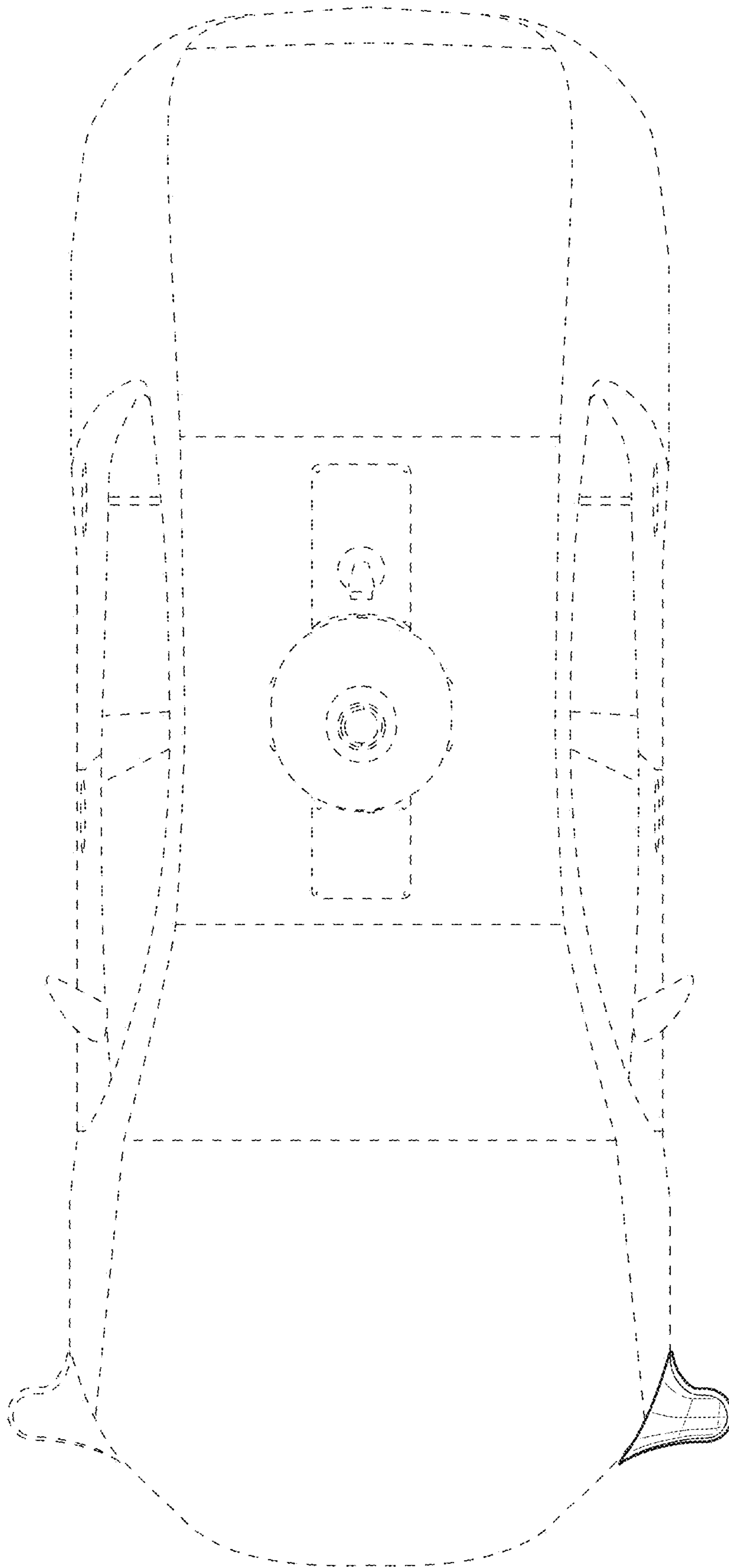


FIG. 12

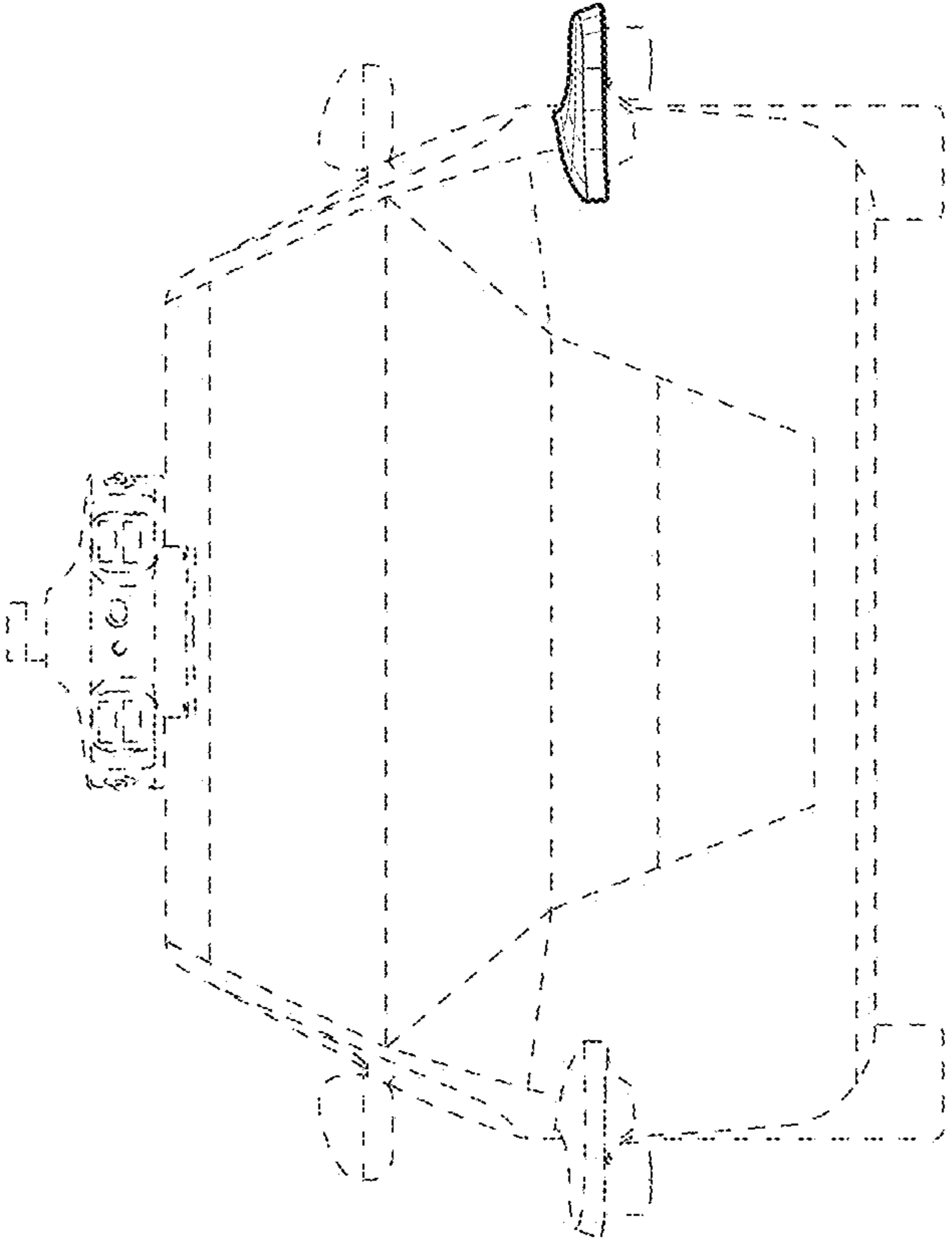


FIG. 13