



US00D919459S

(12) **United States Design Patent**
Zeng

(10) **Patent No.:** **US D919,459 S**

(45) **Date of Patent:** **** May 18, 2021**

- (54) **THERMOMETER**
- (71) Applicant: **ZHANJIANG QUANBEN TRADING CO., LTD., Zhanjiang (CN)**
- (72) Inventor: **Zhaopai Zeng, Zhanjiang (CN)**
- (73) Assignee: **ZHANJIANG QUANBEN TRADING CO., LTD., Zhanjiang (CN)**
- (**) Term: **15 Years**
- (21) Appl. No.: **29/750,549**
- (22) Filed: **Sep. 15, 2020**
- (51) **LOC (13) Cl.** **10-04**
- (52) **U.S. Cl.**
USPC **D10/57**
- (58) **Field of Classification Search**
USPC D10/57
CPC G01K 1/02; G01K 1/022; G01K 1/024;
G01K 1/08; G01K 1/083; G01K 1/086;
G01K 3/00-3/14; G01K 2003/145; G01K
13/002; G01K 13/004; G01K 2219/00;
G01K 5/04-5/225; G01K 5/22; G01K
221/00; G01J 5/04; G01J 5/041; G01J
5/042; G01J 5/043; G01J 5/044; G01J
5/045; G01J 5/046; G01J 5/047; G01J
5/048; G01J 5/049; G01J 5/0265
See application file for complete search history.

D664,053	S	*	7/2012	Lacotta	D10/57
D666,111	S	*	8/2012	Lacotta	D10/57
8,308,353	B2	*	11/2012	Yamaguchi	G01J 5/08 374/121
D676,770	S	*	2/2013	Lacotta	D10/57
D693,247	S	*	11/2013	Juhng	D10/57
9,307,912	B2	*	4/2016	Mullin	G01K 13/20
D804,332	S		12/2017	Lim		
D805,927	S		12/2017	Verbrugge		
D842,137	S	*	3/2019	Wang	A61B 5/01 D10/57
D843,243	S	*	3/2019	Wang	G01J 5/02 D10/57
D891,948	S	*	8/2020	Chen	G01J 5/08 D10/57
10,928,254	B2	*	2/2021	Lin	G01J 5/021
D913,817	S	*	3/2021	Cao	G01J 5/021 D10/57

* cited by examiner

Primary Examiner — Antoine Duval Davis

(57) **CLAIM**

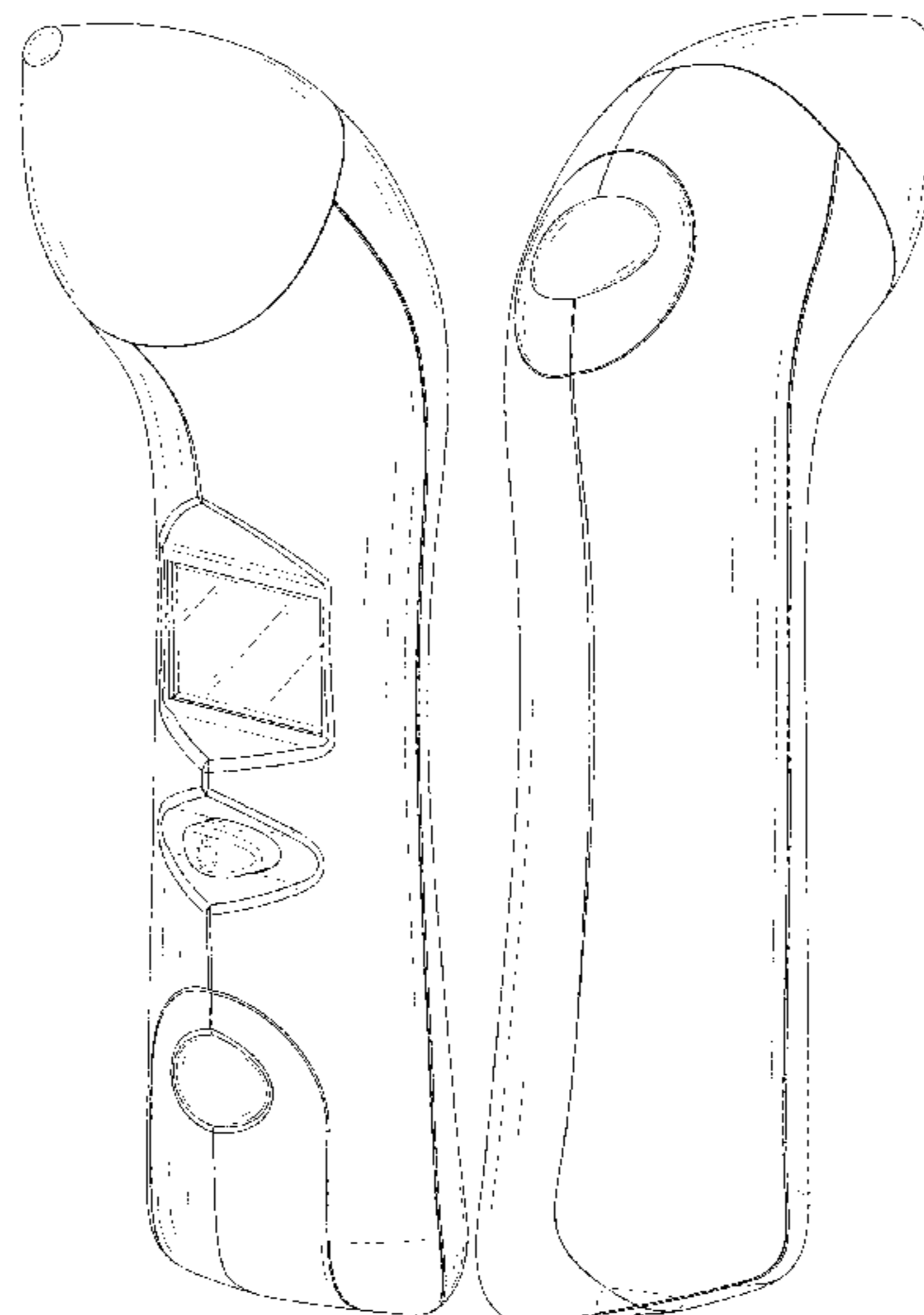
The ornamental design for a thermometer, as shown and described.

DESCRIPTION

FIG. 1 is a perspective view of a thermometer showing my new design;
 FIG. 2 is another perspective view thereof;
 FIG. 3 is a front elevational view thereof;
 FIG. 4 is a rear elevational view thereof;
 FIG. 5 is a left side elevational view thereof;
 FIG. 6 is a right side elevational view thereof;
 FIG. 7 is a top plan view thereof;
 FIG. 8 is a bottom plan view thereof; and,
 FIG. 9 is an exploded perspective view of the thermometer.
 The broken lines in the drawings depict portions of the thermometer that form no part of the claimed design.

1 Claim, 9 Drawing Sheets

- (56) **References Cited**
U.S. PATENT DOCUMENTS
- 5,167,235 A * 12/1992 Seacord G01J 5/02
374/131
- 5,487,607 A * 1/1996 Makita A61B 5/01
374/121
- D388,343 S * 12/1997 Yamauchi D10/57
- D446,134 S * 8/2001 Lin D10/57
- 6,336,742 B2 * 1/2002 Fukura G01J 5/02
374/121
- D458,161 S * 6/2002 Lie D10/57



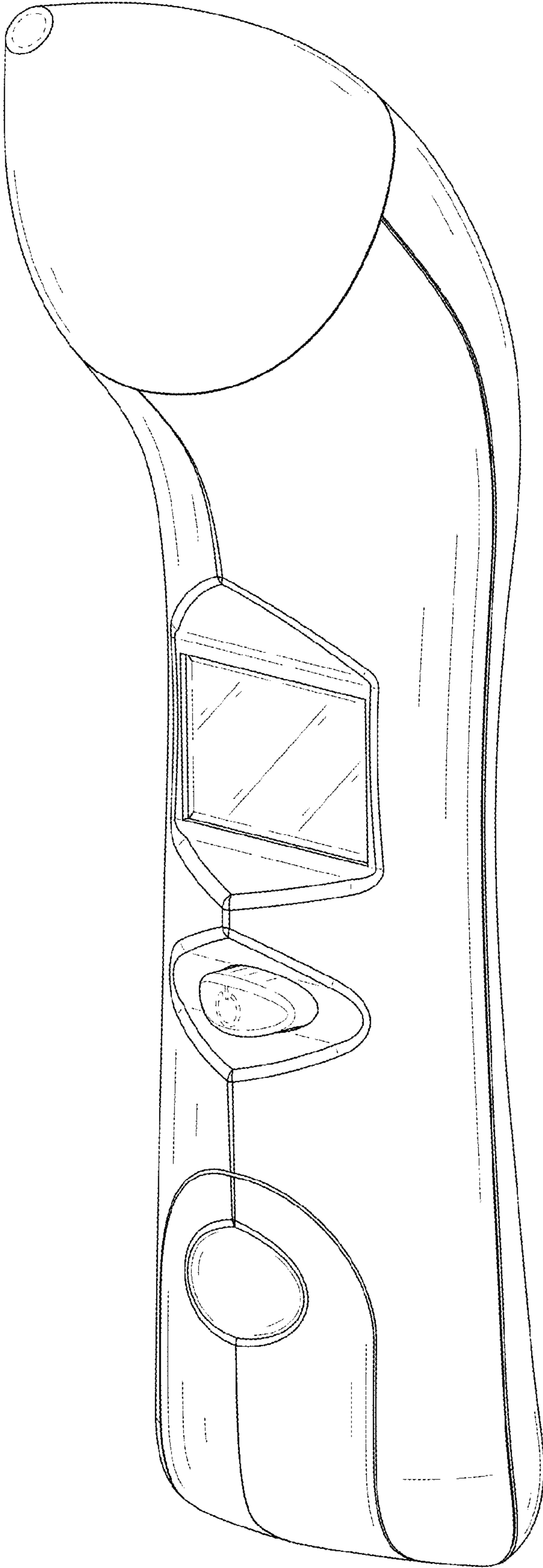


FIG. 1

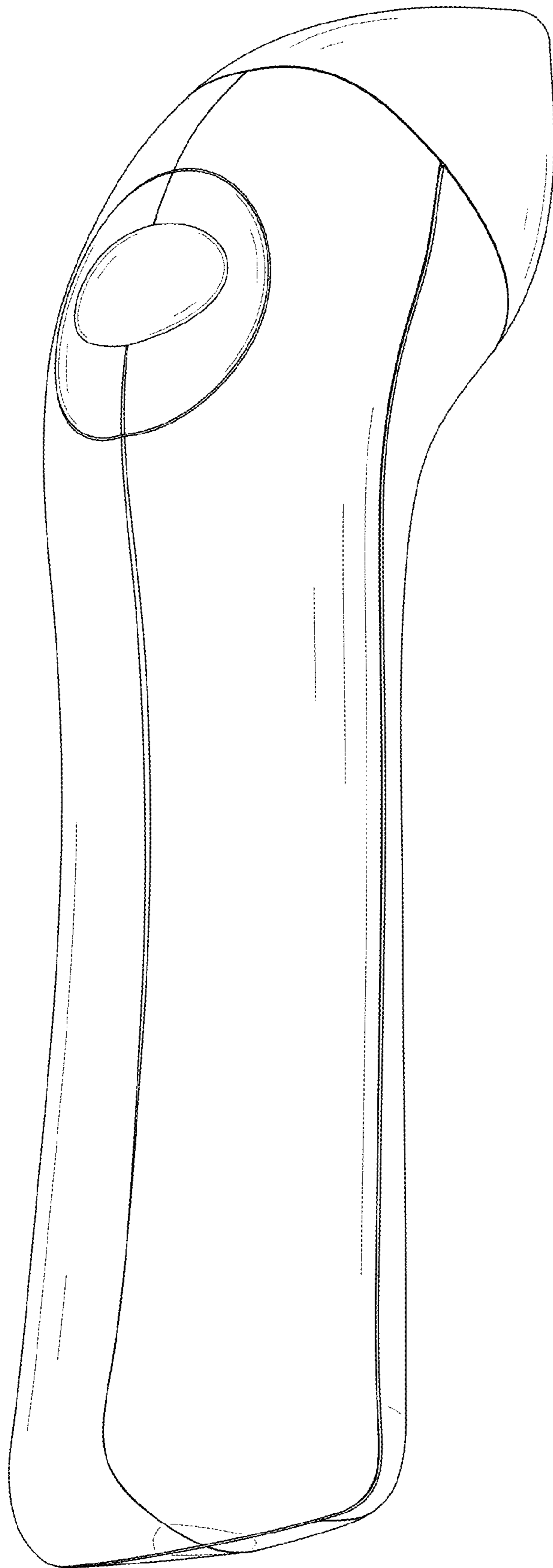


FIG. 2

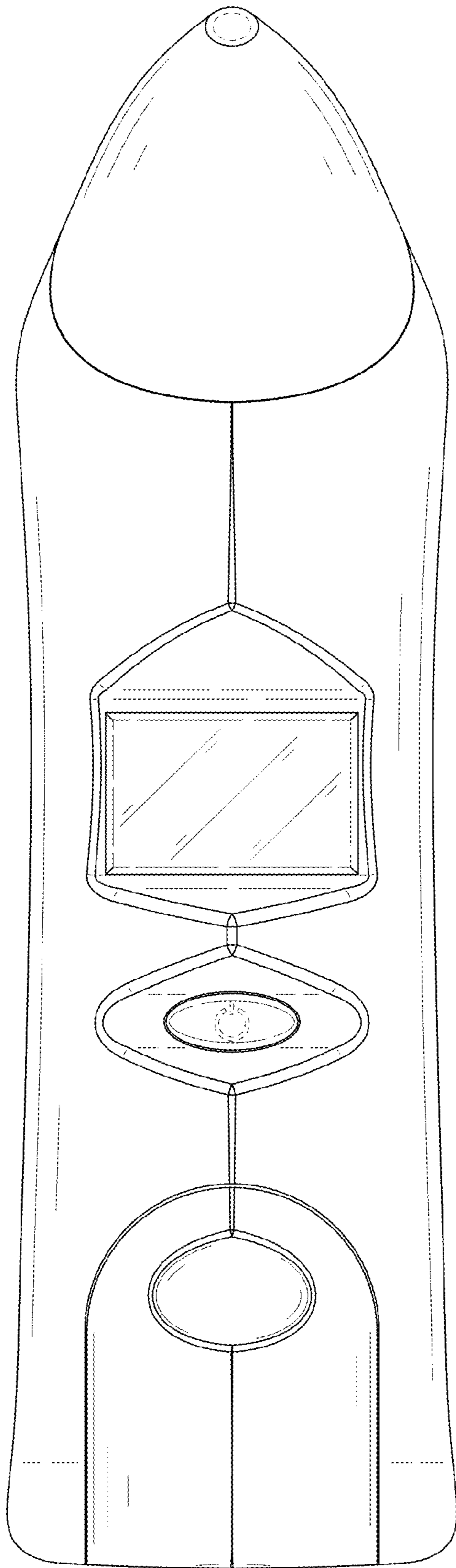


FIG. 3

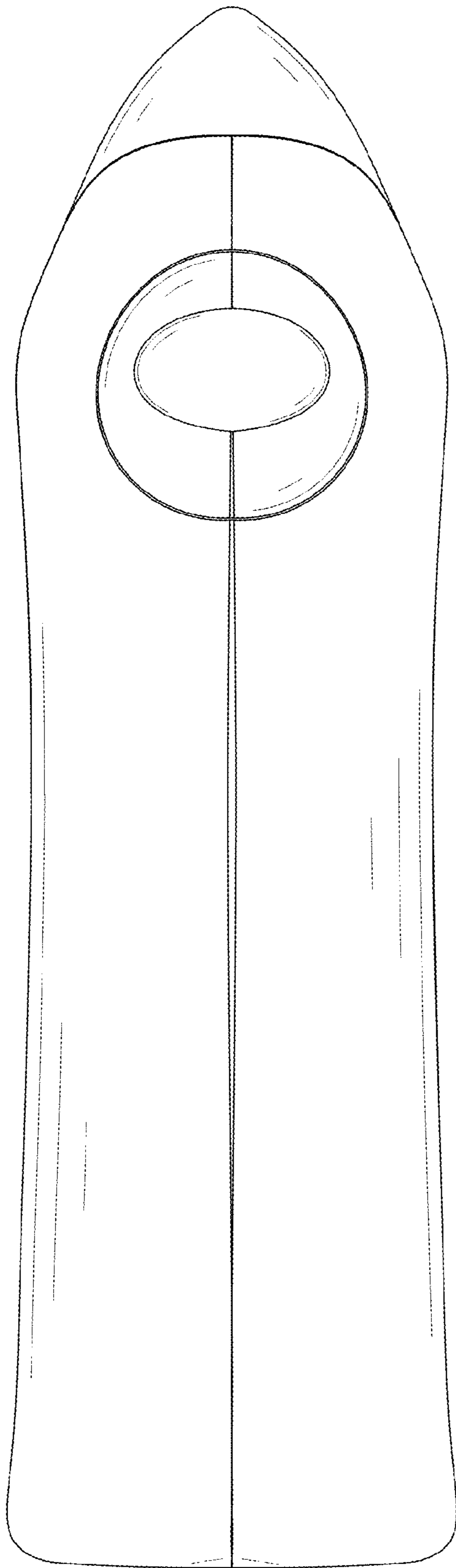


FIG. 4

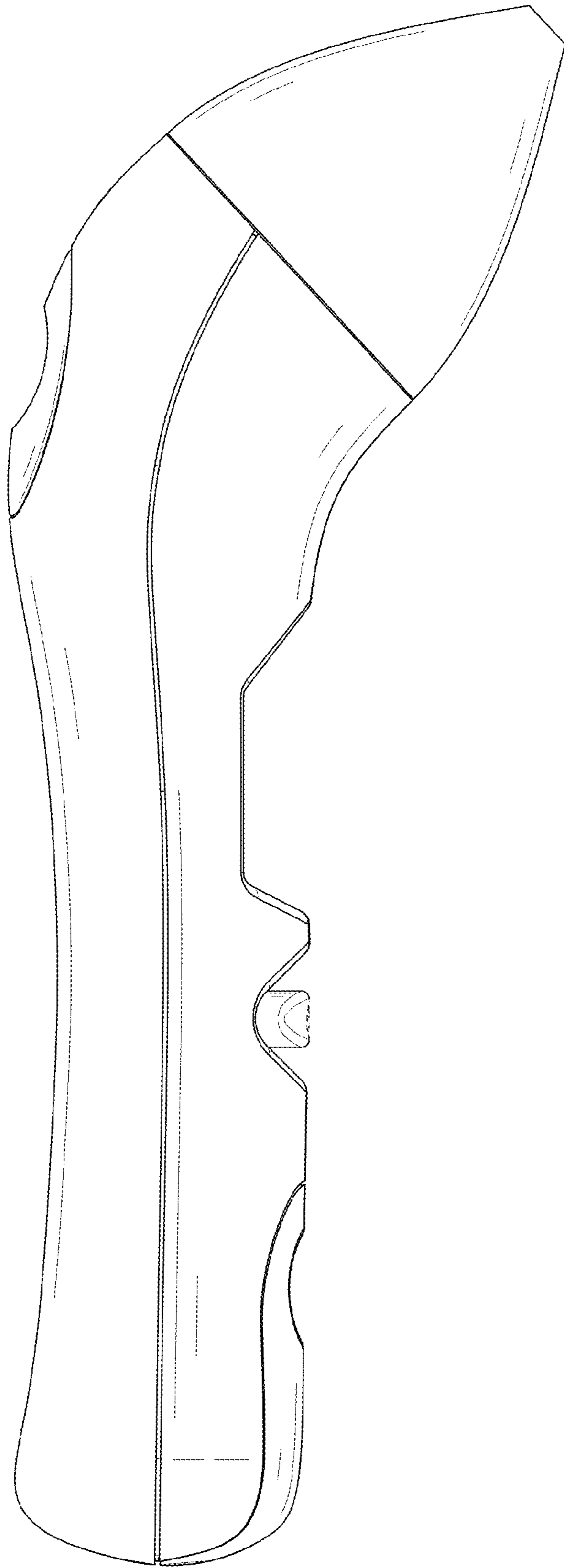


FIG. 5

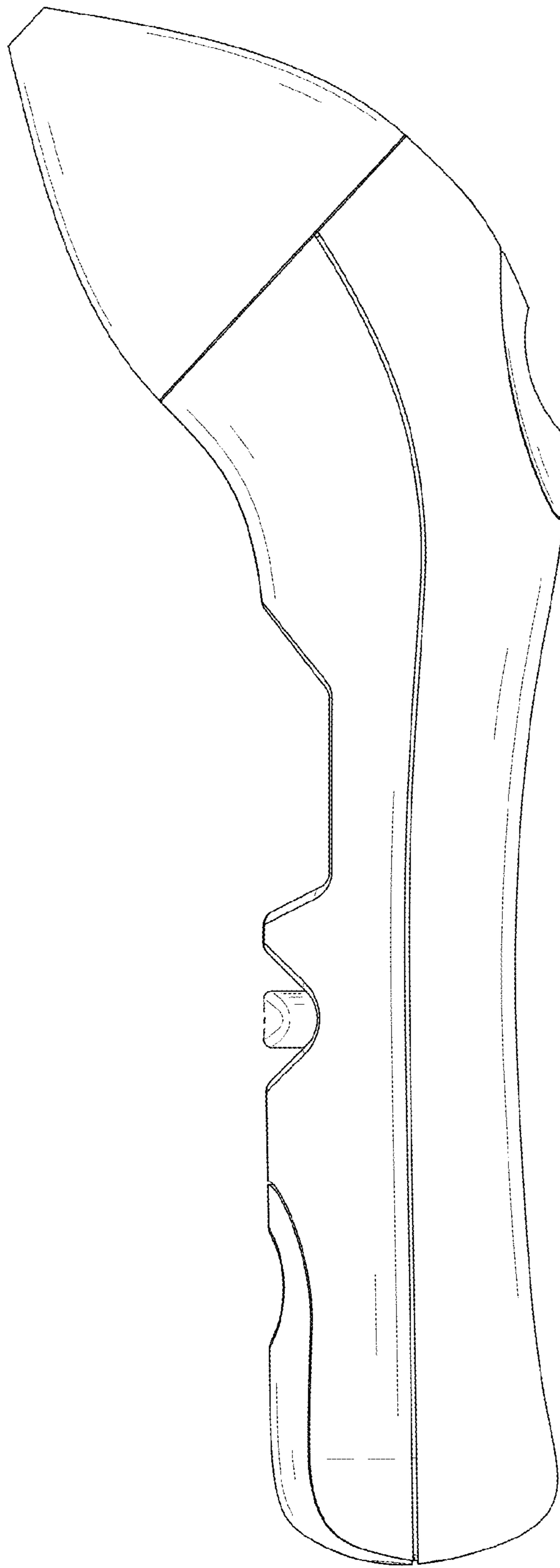


FIG. 6

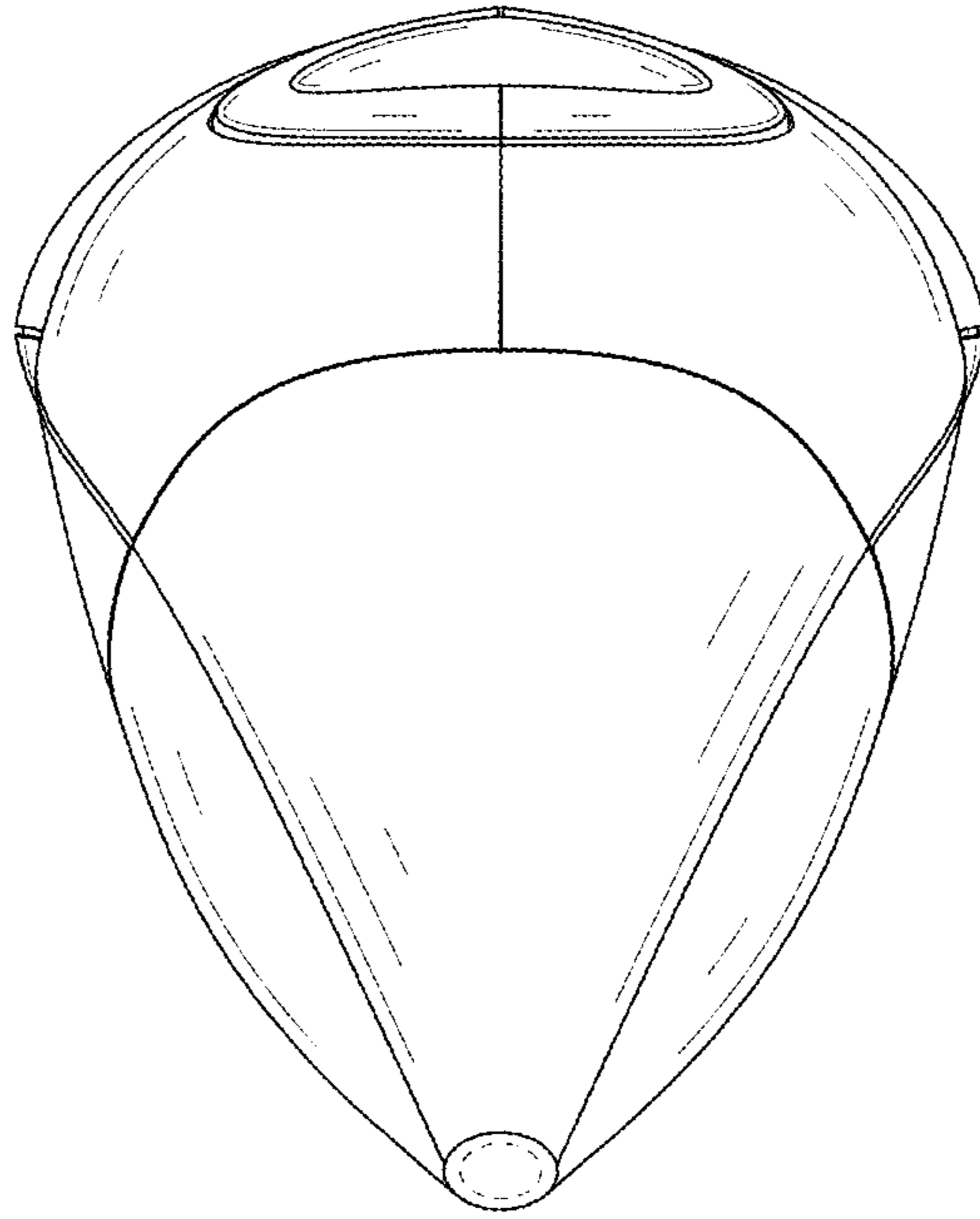


FIG. 7

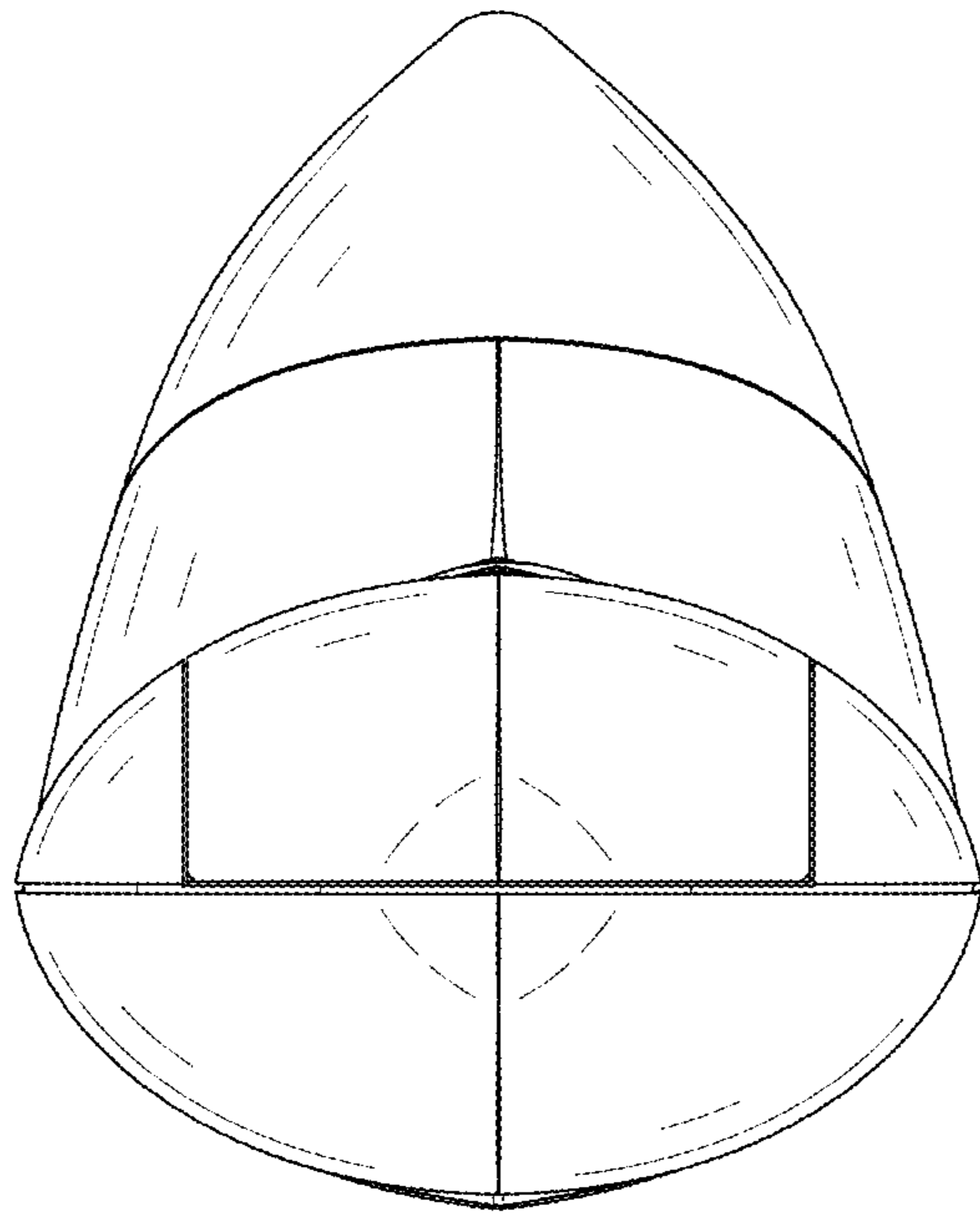


FIG. 8

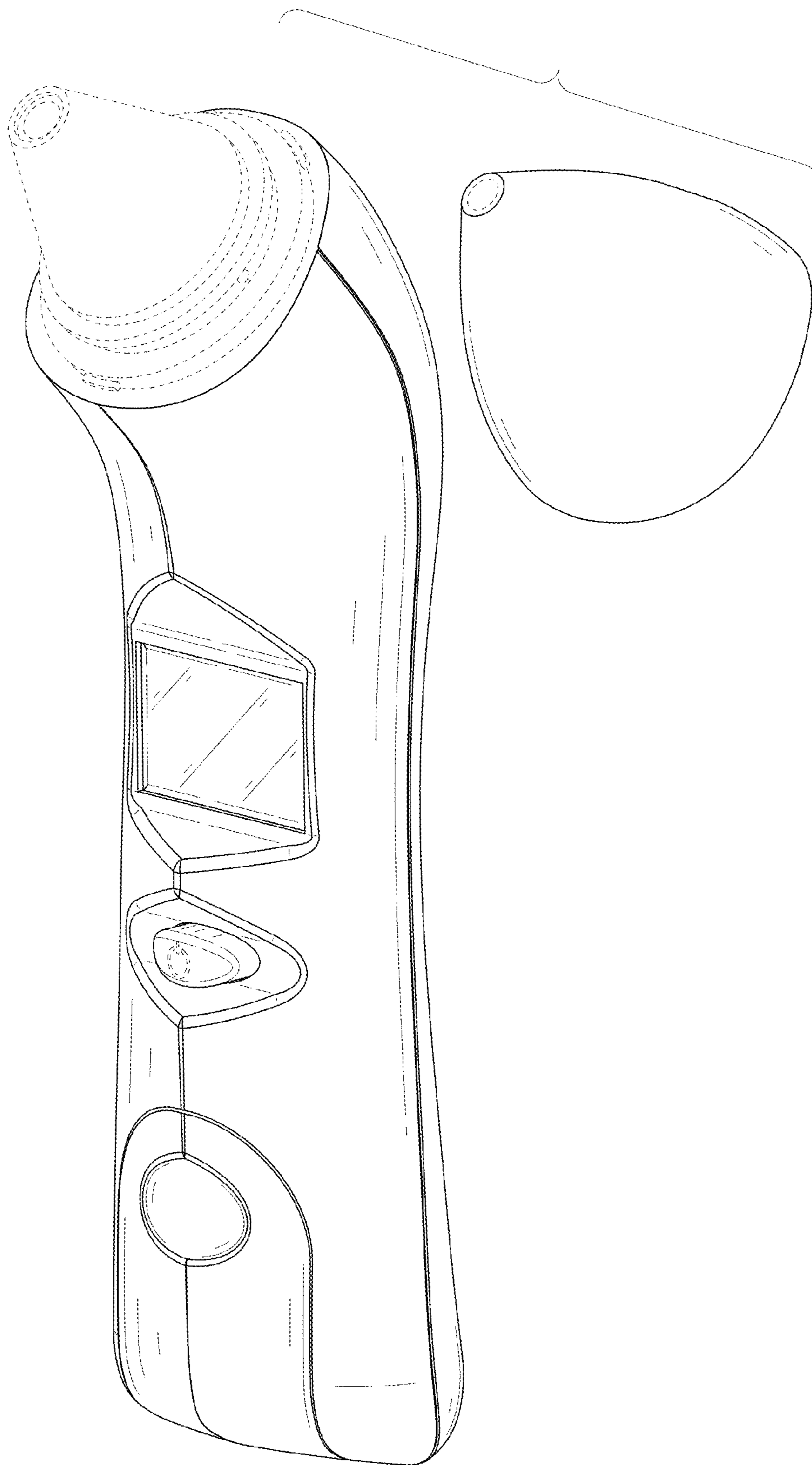


FIG. 9