



US00D919456S

(12) **United States Design Patent** (10) **Patent No.:** **US D919,456 S**  
**Yin** (45) **Date of Patent:** **\*\* May 18, 2021**

(54) **INFRARED THERMOMETER**  
(71) Applicant: **Shenzhen Aoeom Cloud Health Technology Co., Ltd., Shenzhen (CN)**  
(72) Inventor: **Guoyan Yin, Shenzhen (CN)**  
(\*\*) Term: **15 Years**  
(21) Appl. No.: **29/710,221**  
(22) Filed: **Oct. 22, 2019**  
(51) **LOC (13) Cl.** ..... **10-04**  
(52) **U.S. Cl.**  
USPC ..... **D10/57**  
(58) **Field of Classification Search**  
USPC ..... D10/46, 52, 57  
CPC ..... G01K 1/02; G01K 1/022; G01K 1/024;  
G01K 1/08; G01K 1/083; G01K 1/086;  
G01K 13/00; G01K 13/002; G01K  
13/004; G01K 5/22; G01J 5/04; G01J  
5/041; G01J 5/042; G01J 5/043; G01J  
5/044; G01J 5/045; G01J 5/046; G01J  
5/047; G01J 5/048; G01J 5/049; G01J  
5/0265  
See application file for complete search history.

D666,111 S \* 8/2012 Lacotta ..... D10/57  
D676,770 S \* 2/2013 Lacotta ..... D10/57  
D693,247 S \* 11/2013 Juhng ..... D10/57  
D723,396 S \* 3/2015 Chen ..... D10/57  
D795,423 S \* 8/2017 Chen ..... D24/133  
D804,332 S \* 12/2017 Lim ..... D10/57  
D827,457 S \* 9/2018 Liu ..... D10/57  
D842,137 S \* 3/2019 Wang ..... D10/57  
D843,242 S \* 3/2019 Wang ..... D10/57  
D843,243 S \* 3/2019 Wang ..... D10/57  
D856,827 S \* 8/2019 Liang ..... D10/57  
D871,239 S \* 12/2019 Liang ..... D10/57  
D873,157 S \* 1/2020 Gao ..... D10/57  
D881,041 S \* 4/2020 Luo ..... D10/57  
D891,948 S \* 8/2020 Chen ..... D10/57

\* cited by examiner

Primary Examiner — Leanne Was-Englehart

(57) **CLAIM**

The ornamental design for an infrared thermometer, as shown and described.

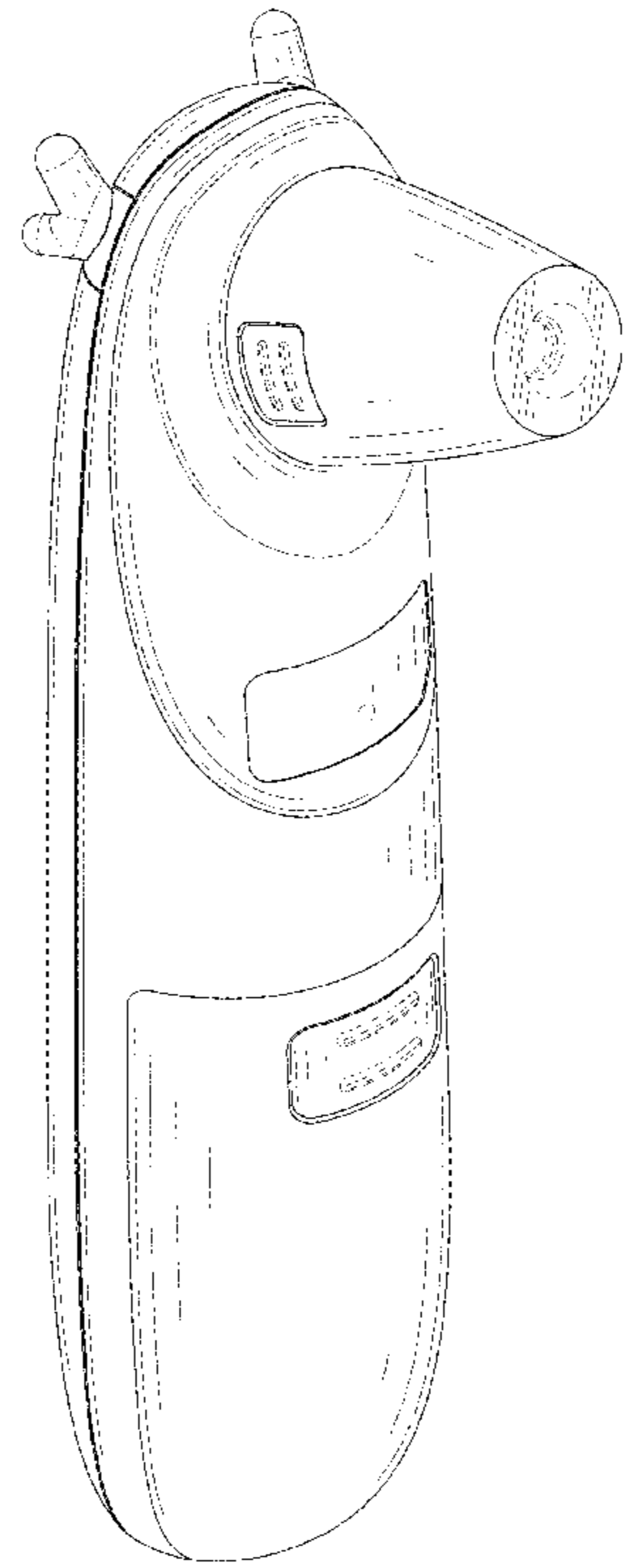
**DESCRIPTION**

FIG. 1 is a perspective view of an infrared thermometer showing my new design;  
FIG. 2 is a front view thereof;  
FIG. 3 is a back view thereof;  
FIG. 4 is a left side view thereof;  
FIG. 5 is a right side view thereof;  
FIG. 6 is a top view thereof; and,  
FIG. 7 is a bottom view thereof.

The broken lines shown in the drawings depict portions of the infrared thermometer in which the design is embodied that form no part of the claimed design.

**1 Claim, 7 Drawing Sheets**

(56) **References Cited**  
U.S. PATENT DOCUMENTS  
D445,699 S \* 7/2001 Lin ..... D10/57  
D460,006 S \* 7/2002 Greubel ..... D10/57  
D488,395 S \* 4/2004 Vu ..... D10/57  
D494,479 S \* 8/2004 Hsieh ..... D10/57  
D499,657 S \* 12/2004 Lim ..... D10/57  
D664,053 S \* 7/2012 Lacotta ..... D10/57



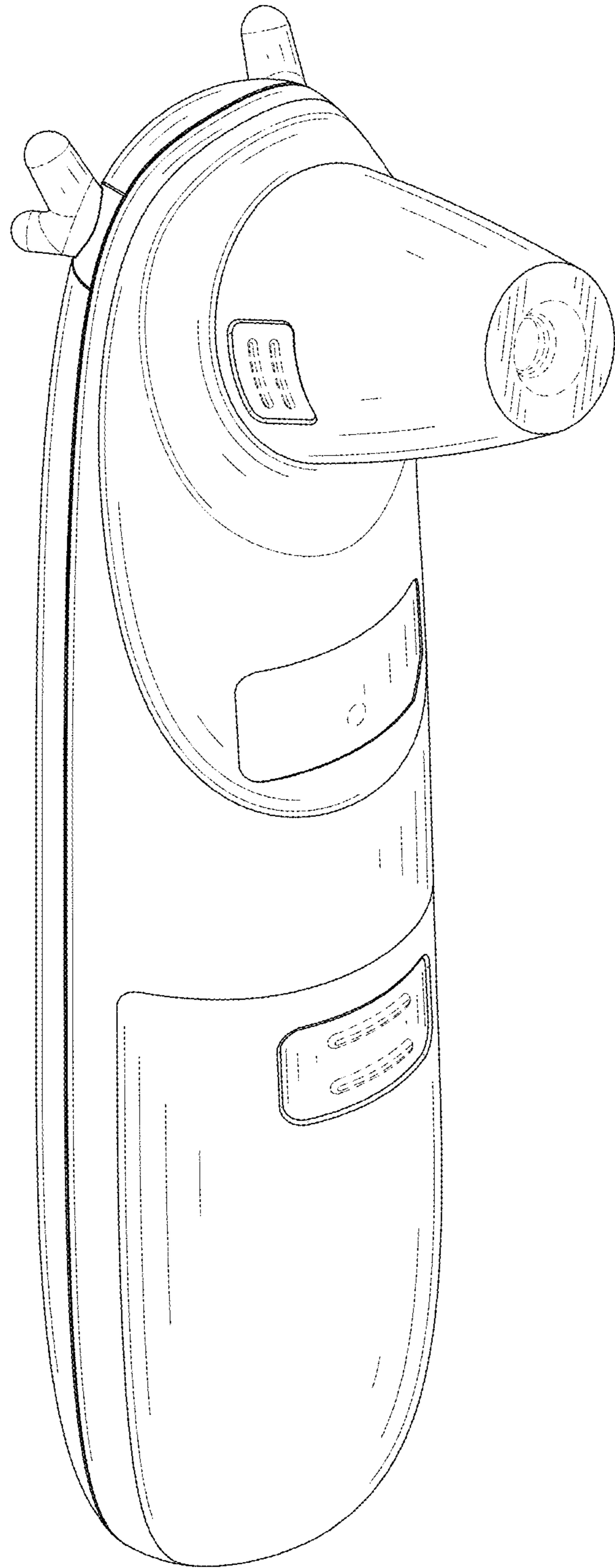


FIG. 1

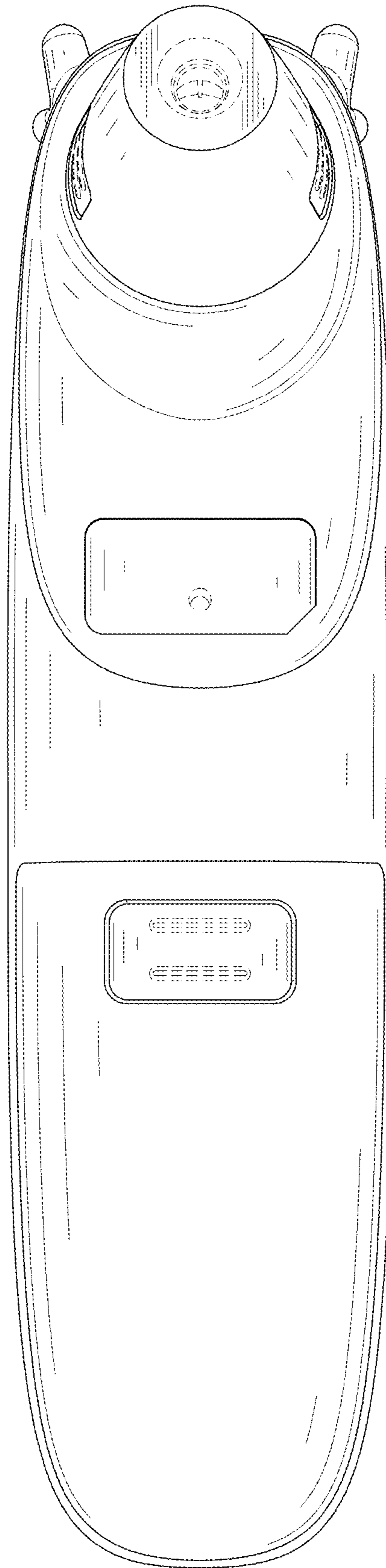


FIG. 2

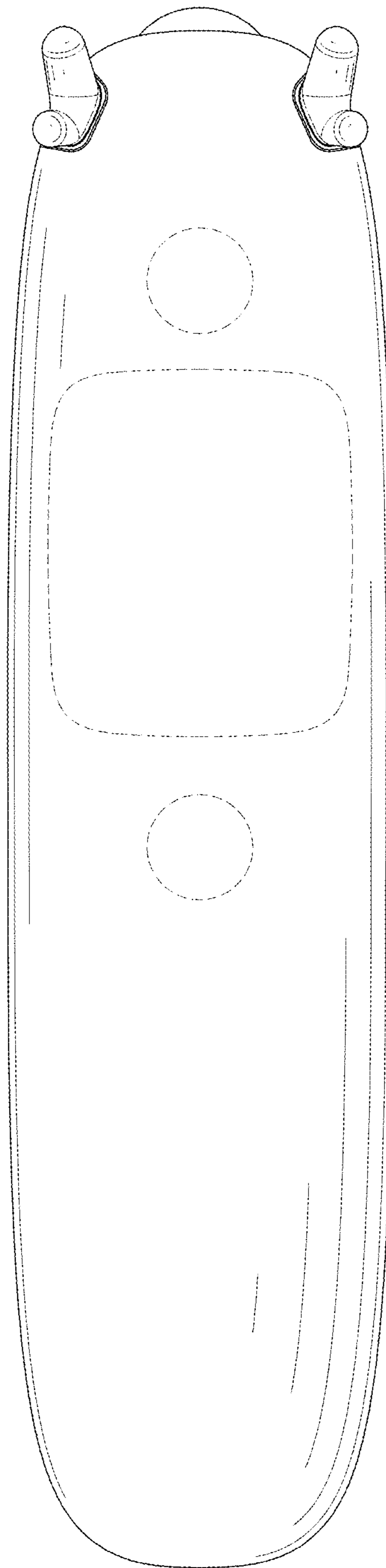


FIG. 3

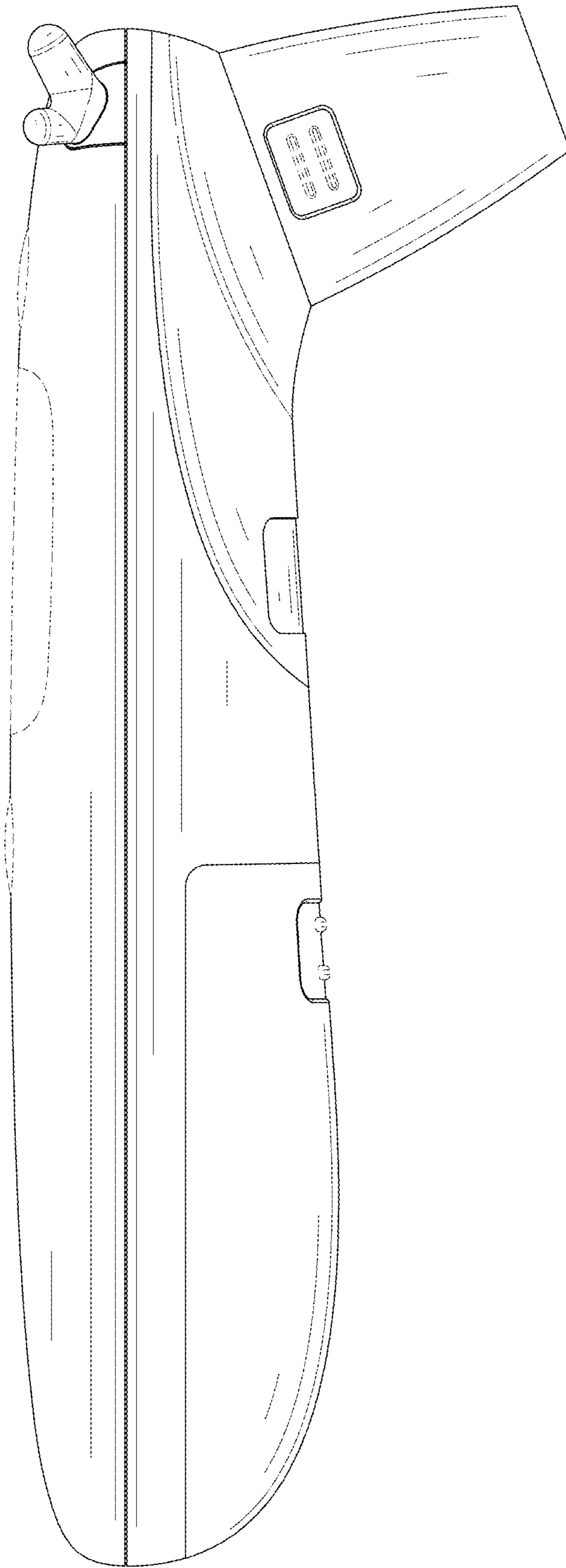


FIG. 4

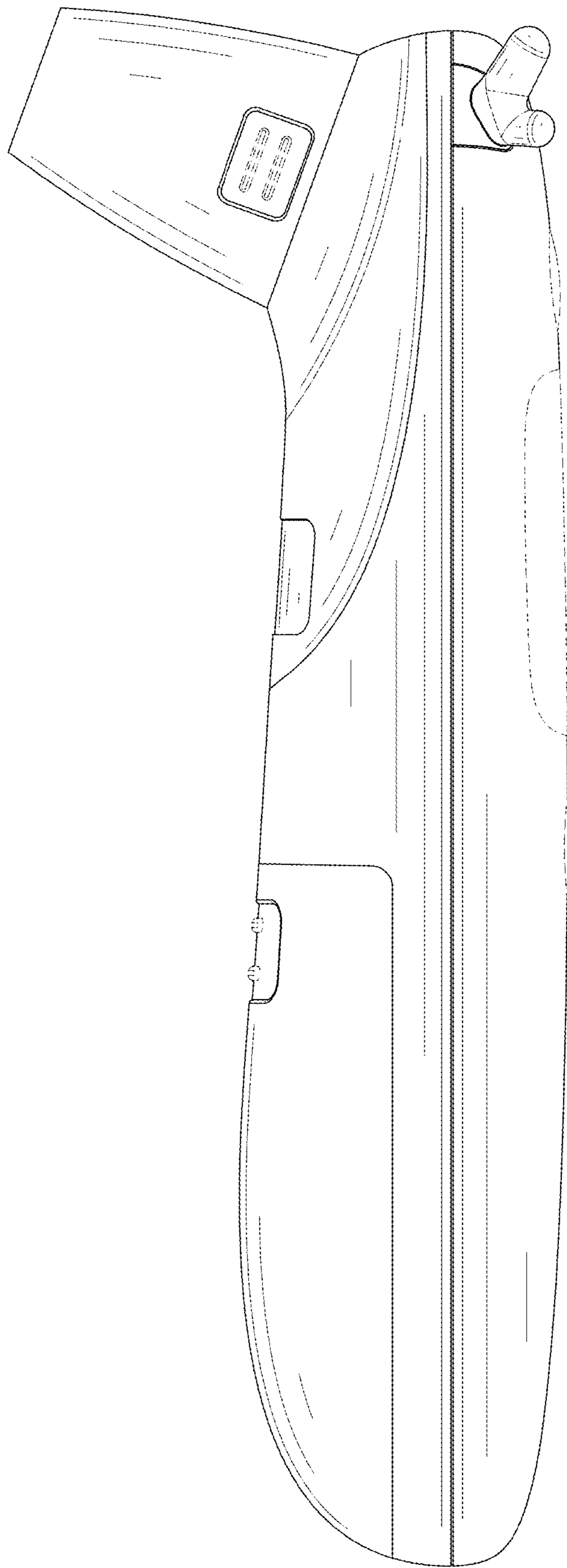


FIG. 5

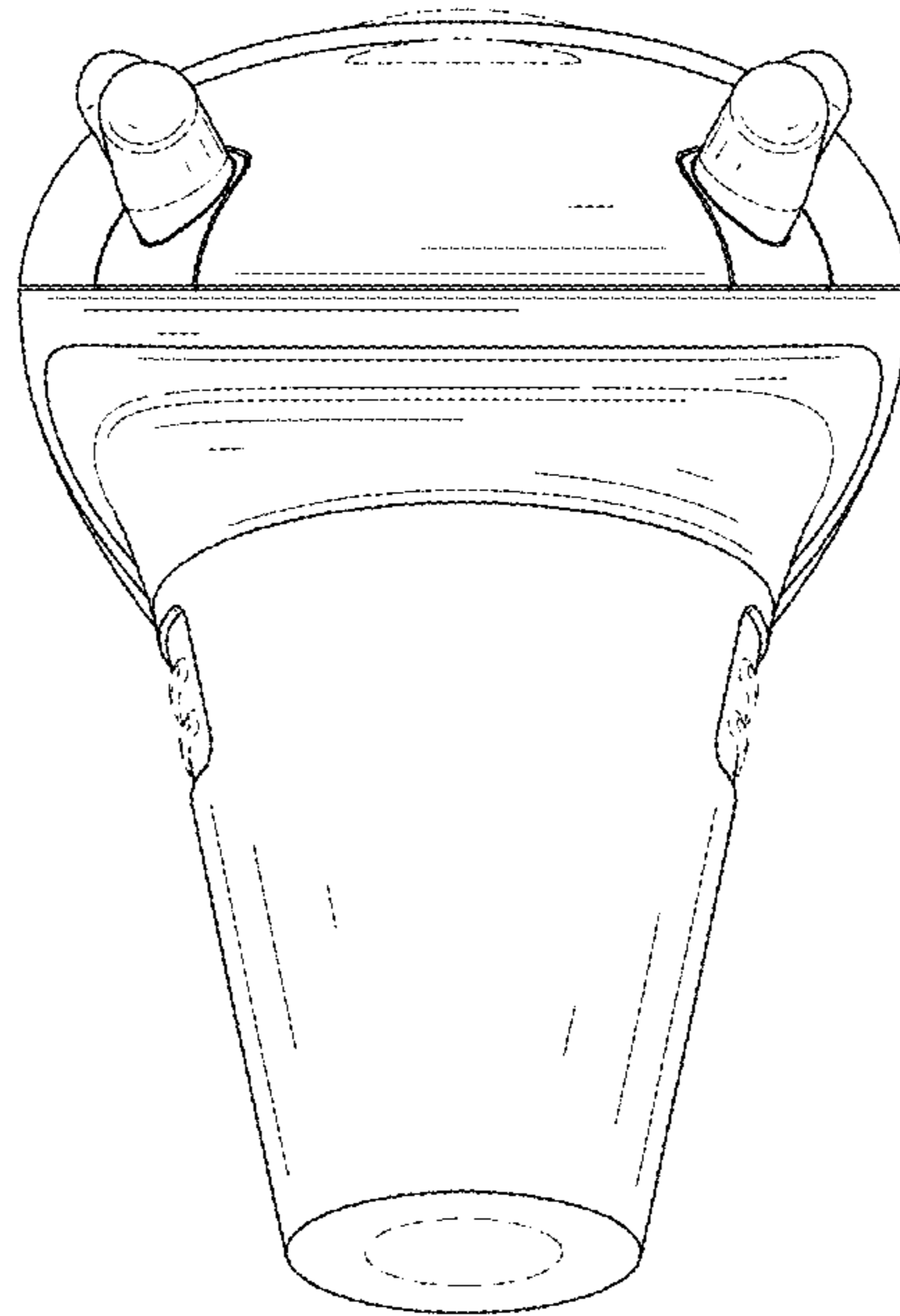


FIG. 6

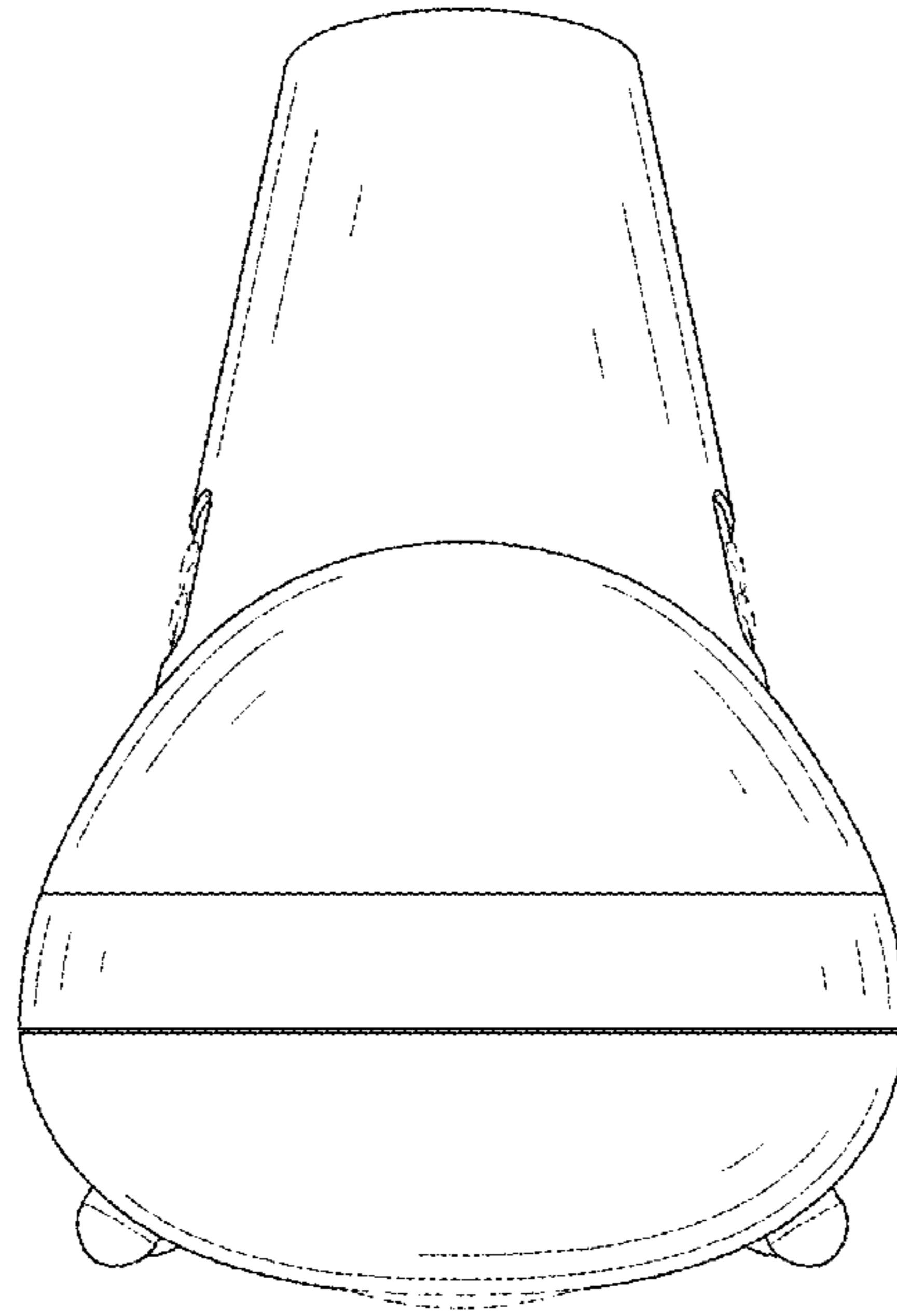


FIG. 7