



US00D919454S

(12) **United States Design Patent**
Yin

(10) **Patent No.:** **US D919,454 S**

(45) **Date of Patent:** **** May 18, 2021**

(54) **INFRARED THERMOMETER**

(71) Applicant: **Shenzhen Aoeom Cloud Health Technology Co., Ltd., Shenzhen (CN)**

(72) Inventor: **Guoyan Yin, Shenzhen (CN)**

(**) Term: **15 Years**

(21) Appl. No.: **29/700,454**

(22) Filed: **Aug. 2, 2019**

(51) **LOC (13) Cl.** **10-04**

(52) **U.S. Cl.**
USPC **D10/57**

(58) **Field of Classification Search**
USPC D10/46, 52, 57
CPC G01K 1/02; G01K 1/022; G01K 1/024;
G01K 1/08; G01K 1/083; G01K 1/086;
G01K 13/00; G01K 13/002; G01K
13/004; G01K 5/22; G01J 5/04; G01J
5/041; G01J 5/042; G01J 5/043; G01J
5/044; G01J 5/045; G01J 5/046; G01J
5/047; G01J 5/048; G01J 5/049; G01J
5/0265
See application file for complete search history.

D499,657 S * 12/2004 Lim D10/57
D664,053 S * 7/2012 Lacotta D10/57
D666,111 S * 8/2012 Lacotta D10/57
D676,770 S * 2/2013 Lacotta D10/57
D693,247 S * 11/2013 Juhng D10/57
D723,396 S * 3/2015 Chen D10/57
D795,423 S * 8/2017 Chen D24/133
D804,332 S * 12/2017 Lim D10/57
D827,457 S * 9/2018 Liu D10/57
D842,137 S * 3/2019 Wang D10/57
D843,242 S * 3/2019 Wang D10/57
D843,243 S * 3/2019 Wang D10/57
D856,827 S * 8/2019 Liang D10/57
D871,239 S * 12/2019 Liang D10/57
D873,157 S * 1/2020 Gao D10/57
D881,041 S * 4/2020 Luo D10/57
D891,948 S * 8/2020 Chen D10/57

* cited by examiner

Primary Examiner — Leanne Was-Englehart

(57) **CLAIM**

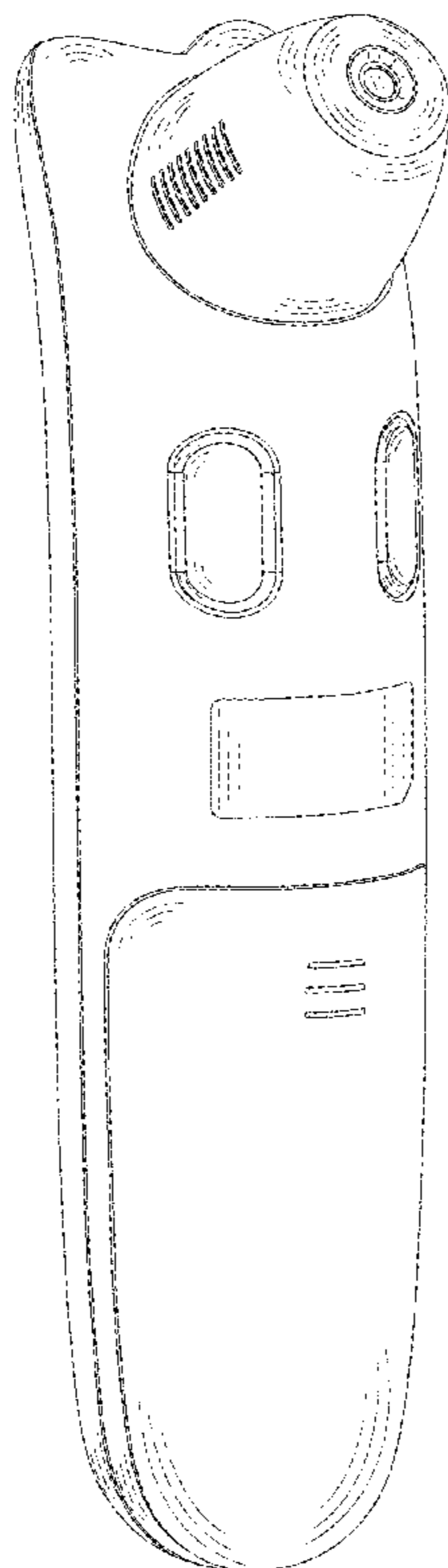
The ornamental design for an infrared thermometer, as shown and described.

DESCRIPTION

FIG. 1 is a front view of an infrared thermometer showing my design;
FIG. 2 is a back view thereof;
FIG. 3 is a left side view thereof;
FIG. 4 is a right side view thereof;
FIG. 5 is a top view thereof;
FIG. 6 is a bottom view thereof; and,
FIG. 7 is a perspective view thereof.

1 Claim, 7 Drawing Sheets

(56) **References Cited**
U.S. PATENT DOCUMENTS
D445,699 S * 7/2001 Lin D10/57
D460,006 S * 7/2002 Greubel D10/57
D488,395 S * 4/2004 Vu D10/57
D494,479 S * 8/2004 Hsieh D10/57



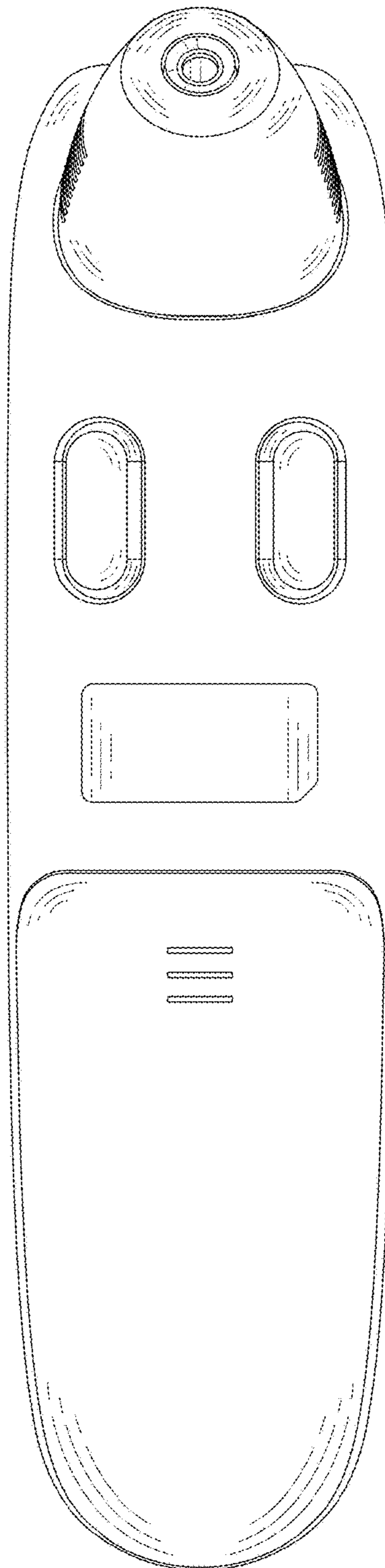


FIG. 1

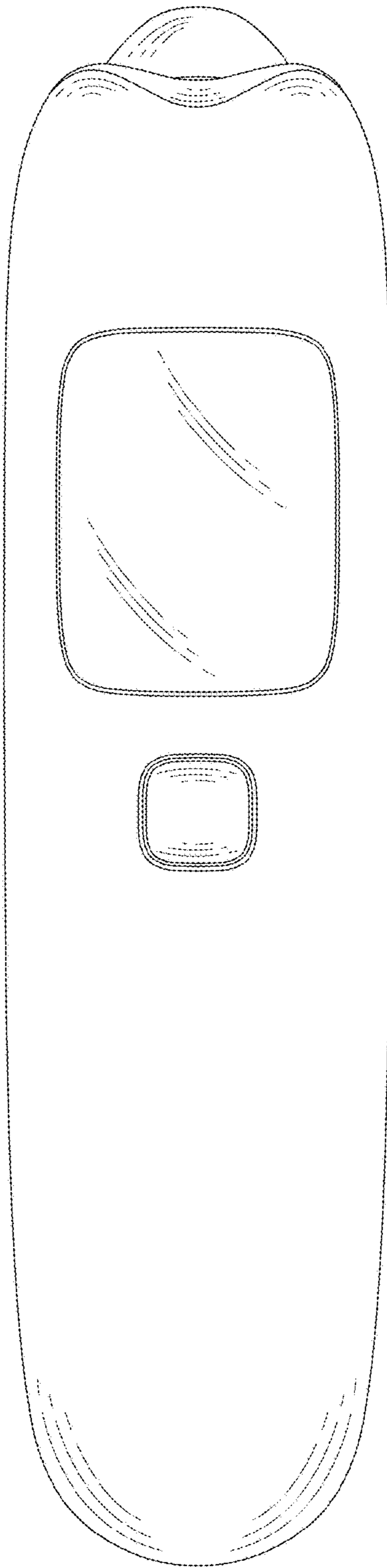


FIG. 2

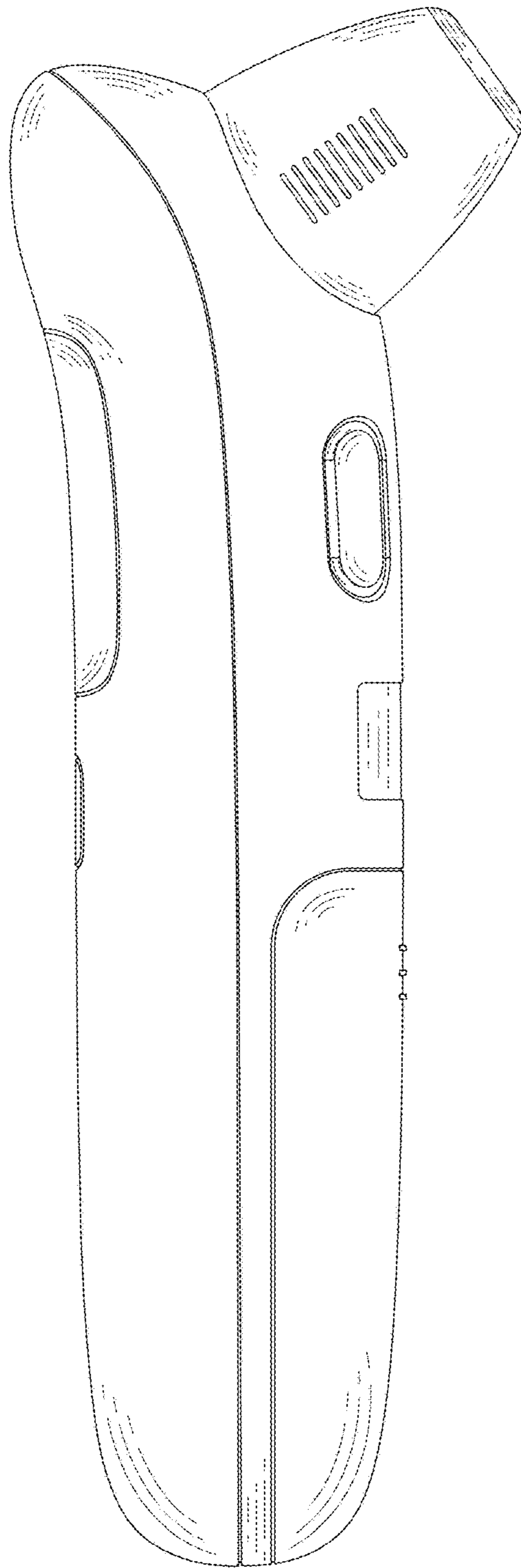


FIG. 3

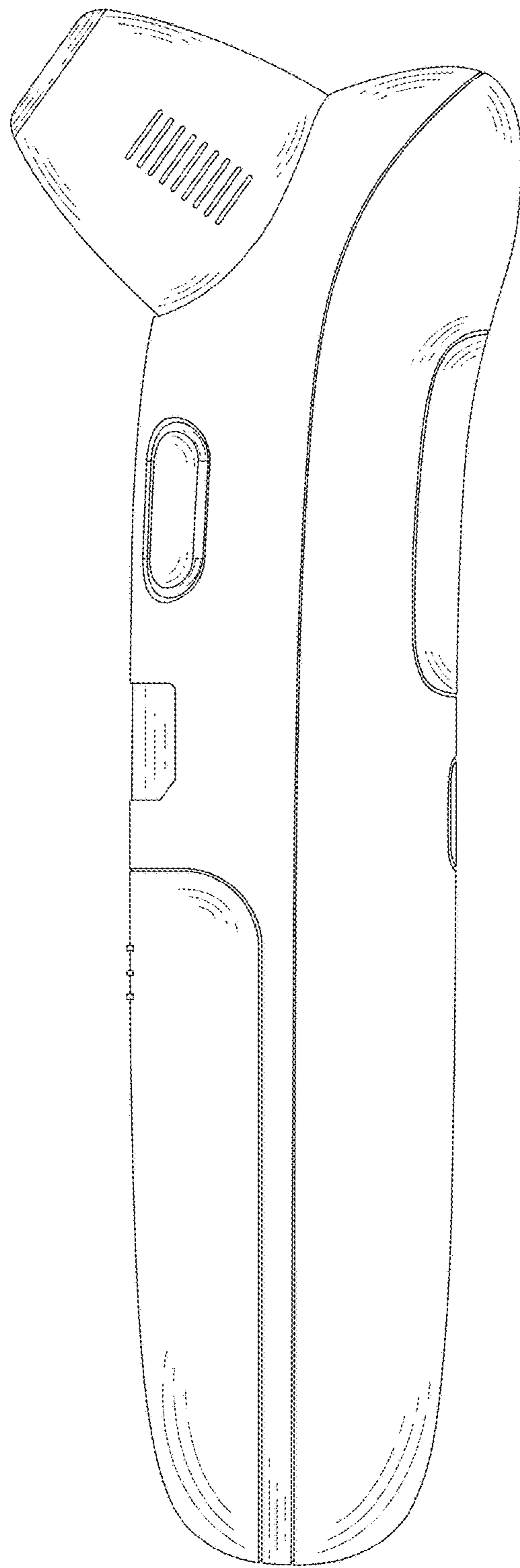


FIG. 4

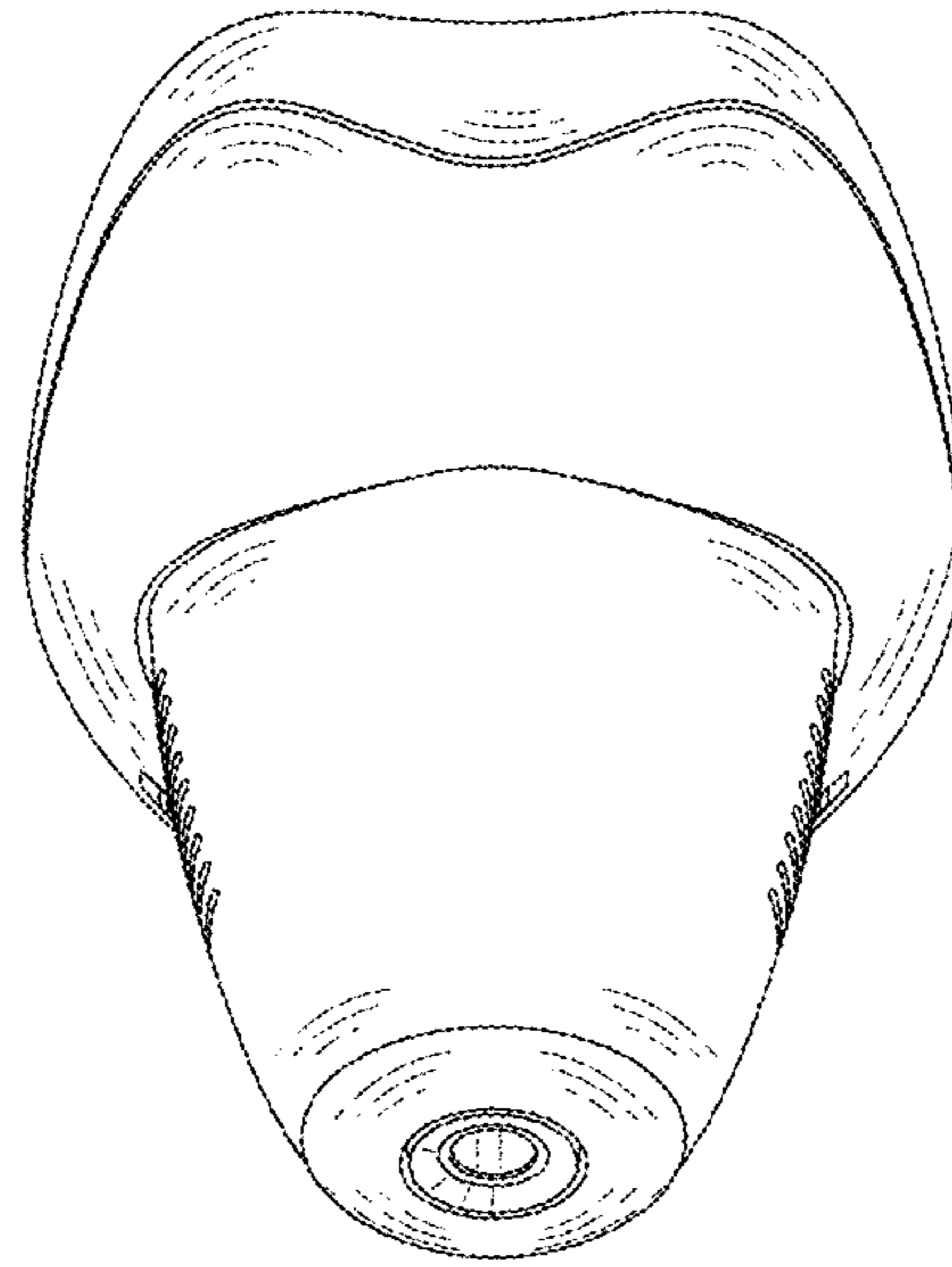


FIG. 5

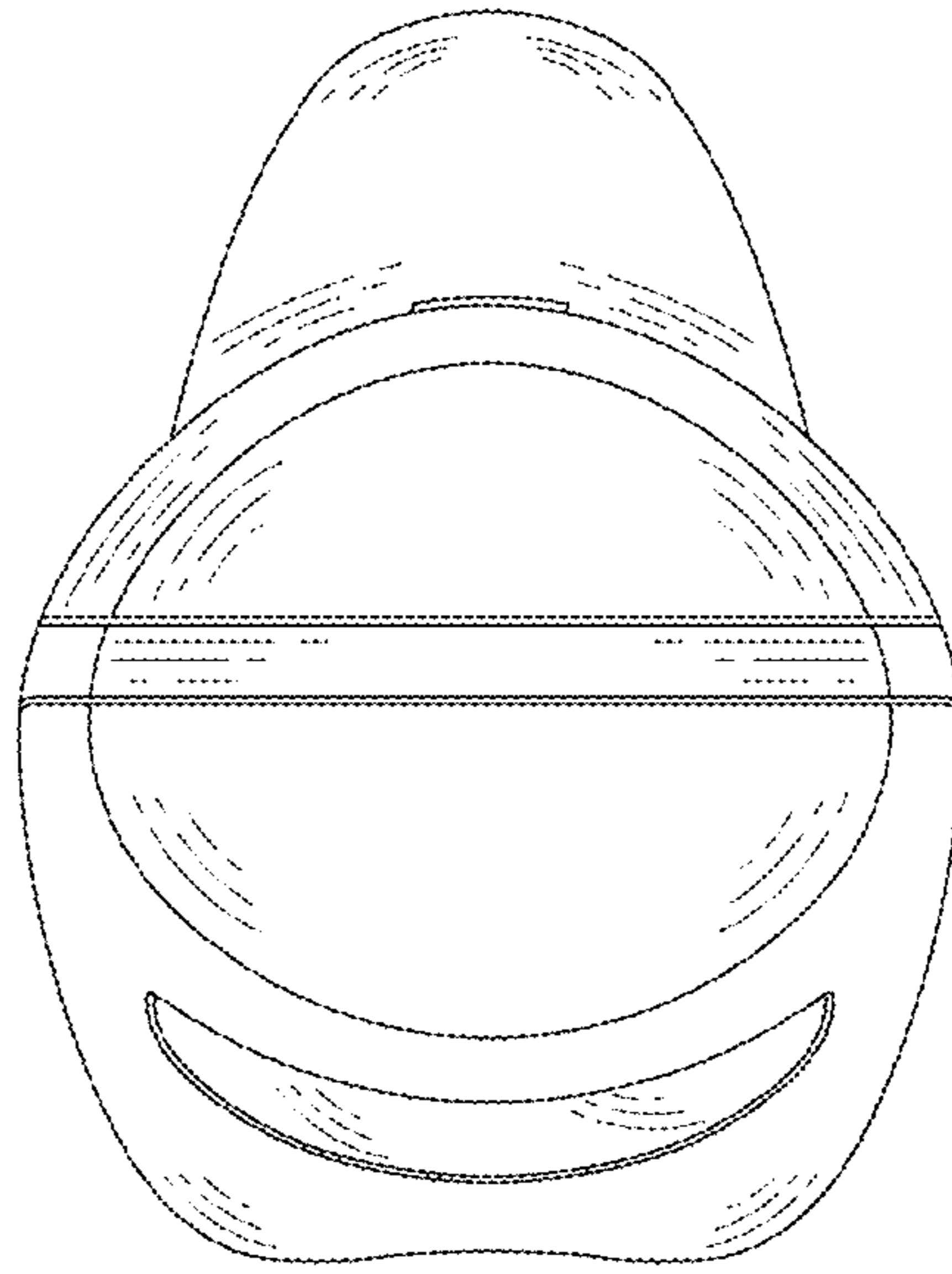


FIG. 6

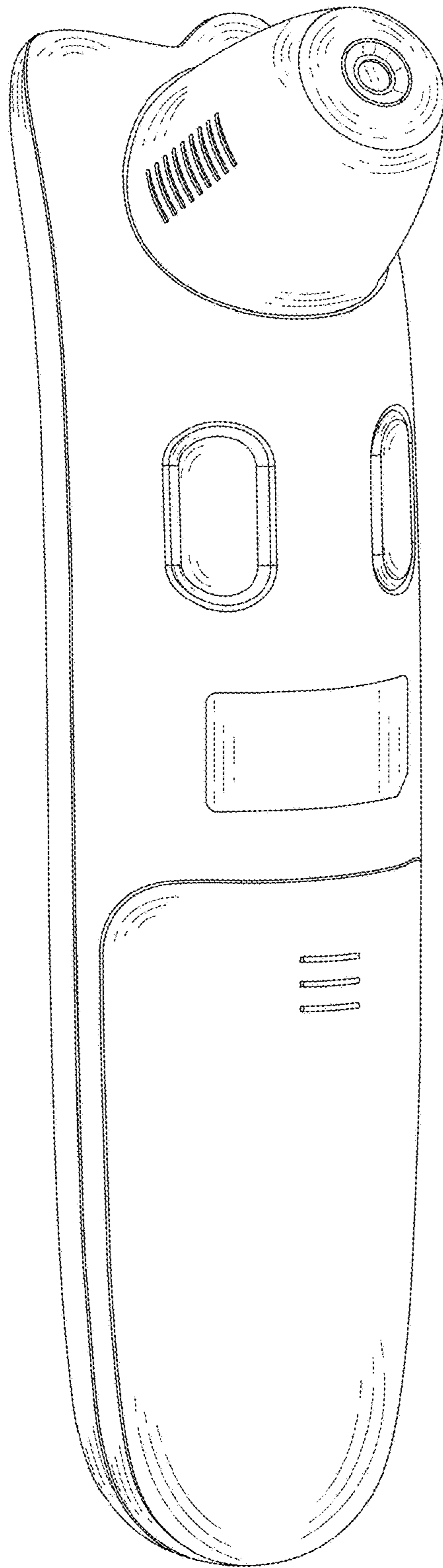


FIG. 7