



US00D919450S

(12) **United States Design Patent**
Mechelany

(10) **Patent No.:** **US D919,450 S**

(45) **Date of Patent:** **** May 18, 2021**

(54) **WATCH**

(71) Applicant: **Cartier International AG**, Steinhausen (CH)

(72) Inventor: **Raphael Mechelany**, Geneva (CH)

(73) Assignee: **Cartier International SA**, Steinhausen (CH)

(**) Term: **15 Years**

(21) Appl. No.: **29/688,929**

(22) Filed: **Apr. 25, 2019**

(30) **Foreign Application Priority Data**

Oct. 31, 2018 (WO) 9492701

(51) **LOC (13) Cl.** **10-02**

(52) **U.S. Cl.**
USPC **D10/39**

(58) **Field of Classification Search**

USPC D10/30-39, 87, 102, 121-131
CPC G04B 19/00; G04B 19/04; G04B 19/08;
G04B 19/082; G04B 19/085; G04B
19/087; G04B 19/10; G04B 19/103;
G04B 19/12; G04B 19/16; G04B 19/166;
G04B 19/18; G04B 19/22; G04B 19/24;
G04B 29/00; G04B 29/02; G04B 29/04;
G04B 45/00; G04B 45/02; G04B
45/0038; G04G 19/06; G04G 19/065;
G04G 19/243; G04G 19/283

See application file for complete search history.

(56) **References Cited**

U.S. PATENT DOCUMENTS

1,142,554 A * 6/1915 Ditesheim G04B 33/08
368/281
1,505,521 A * 8/1924 Kresser G04B 19/087
368/232
1,536,607 A * 5/1925 Buhlman G04B 39/002
368/294
2,235,095 A * 3/1941 Barthman G04B 45/0092
40/728

(Continued)

OTHER PUBLICATIONS

The Cartier Tonneau | revolution.watch posted Sep. 2013 [online].
© 2020 Revolution [retrieved Nov. 7, 2020] from Internet: <<https://www.revolution.watch/the-cartier-tonneau-and-the-differences-with-the-tortue/?archive>> (Year: 2013).*

(Continued)

Primary Examiner — Katherine Glennon

(74) *Attorney, Agent, or Firm* — Taft Stettinius & Hollister LLP

(57) **CLAIM**

The ornamental design for a watch, as shown and described.

DESCRIPTION

FIG. 1 is a front elevational view of a watch showing my new design, with the front cover removed for ease of illustration;

FIG. 2 is a back elevational view thereof;

FIG. 3 is a top plan view thereof, with the front cover in place;

FIG. 4 is a bottom plan view thereof, with the front cover in place;

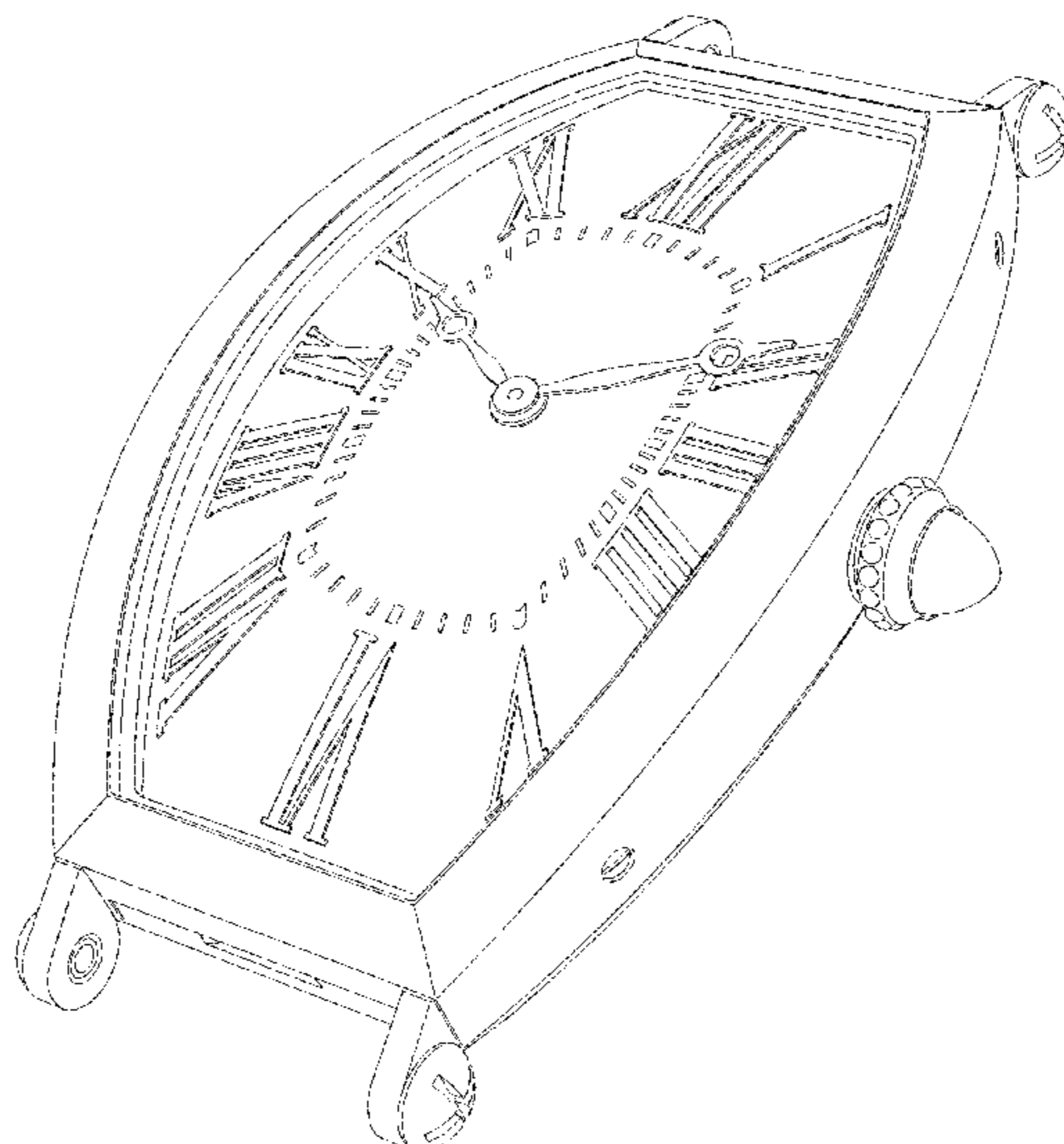
FIG. 5 is a right side elevational thereof, with the front cover in place;

FIG. 6 is a left side elevational view thereof, with the front cover in place;

FIG. 7 is a front, bottom, right side perspective view thereof, with the front cover removed for ease of illustration; and,

FIG. 8 is a back, bottom, left side perspective view thereof.

1 Claim, 8 Drawing Sheets



(56)

References Cited

U.S. PATENT DOCUMENTS

D151,301 S * 10/1948 Tuffo D10/31
 D250,750 S * 1/1979 Perrin D10/39
 D446,130 S * 8/2001 Nakanishi D10/38
 D505,628 S * 5/2005 Scheufele D10/39
 D525,149 S * 7/2006 Plan D10/32
 D527,287 S * 8/2006 Calvani D10/39
 D565,429 S * 4/2008 Modolo D10/32
 D568,181 S * 5/2008 Rabassa D10/39
 D573,902 S * 7/2008 Modolo D10/39
 D595,595 S * 7/2009 Sirmakes D10/32
 D606,423 S * 12/2009 Mille D10/38
 D606,888 S * 12/2009 Mille D10/38
 D628,909 S * 12/2010 Giannini D10/32
 D645,364 S * 9/2011 Dupont D10/39
 D650,708 S * 12/2011 Laucella D10/39
 D655,631 S * 3/2012 Ruefenacht D10/39
 D677,186 S * 3/2013 Favre D10/123
 D692,323 S * 10/2013 Mille D10/39
 D710,714 S * 8/2014 Monachon D10/39
 D714,164 S * 9/2014 Vuilleumier D10/30

D798,168 S * 9/2017 Laucella D10/30
 D861,507 S * 10/2019 Gimenez D10/39
 D877,629 S * 3/2020 Gimenez D10/38

OTHER PUBLICATIONS

Cartier Prive Collection The Comeback of the Cartier Tonneau |
 monochrome-watches.com | posted Nov. 11, 2018 [online]. ©
 2006-2020 MONOCHROME [retrieved Nov. 6, 2020] from Inter-
 net: <[https://monochrome-watches.com/sihh-2019-cartier-prive-
 collection-comeback-of-the-tonneau-price/](https://monochrome-watches.com/sihh-2019-cartier-prive-collection-comeback-of-the-tonneau-price/)> (Year: 2018).*
 Cartier Tonneau Dual Time White Dial | ebay.com no posting date
 [online]. © 1995-2020 eBay Inc [retrieved Nov. 6, 2020] from
 Internet: <[https://www.ebay.com/itm/CARTIER-TONNEAU-DUAL-
 TIME-WHITE-DIAL/301937395139?hash=
 item464cdf05c3:g:BugAAOSwubRXGIHe](https://www.ebay.com/itm/CARTIER-TONNEAU-DUAL-TIME-WHITE-DIAL/301937395139?hash=item464cdf05c3:g:BugAAOSwubRXGIHe)> (Year: 2020).*
 Cartier Tonneau or Flinque Dial | ebay.com; no posting date
 [online]. © 1995-2020 eBay Inc [retrieved Nov. 6, 2020] from
 Internet: <[https://www.ebay.com/itm/Cartier-Tonneau-Or-Flinque-
 Dial-For-Cartier-Collection-Privee-Cartier-Paris/324348396661?
 hash=item4b84abc475:g:mz8AAOSw-wZflgPZ](https://www.ebay.com/itm/Cartier-Tonneau-Or-Flinque-Dial-For-Cartier-Collection-Privee-Cartier-Paris/324348396661?hash=item4b84abc475:g:mz8AAOSw-wZflgPZ)> (Year: 2020).*

* cited by examiner

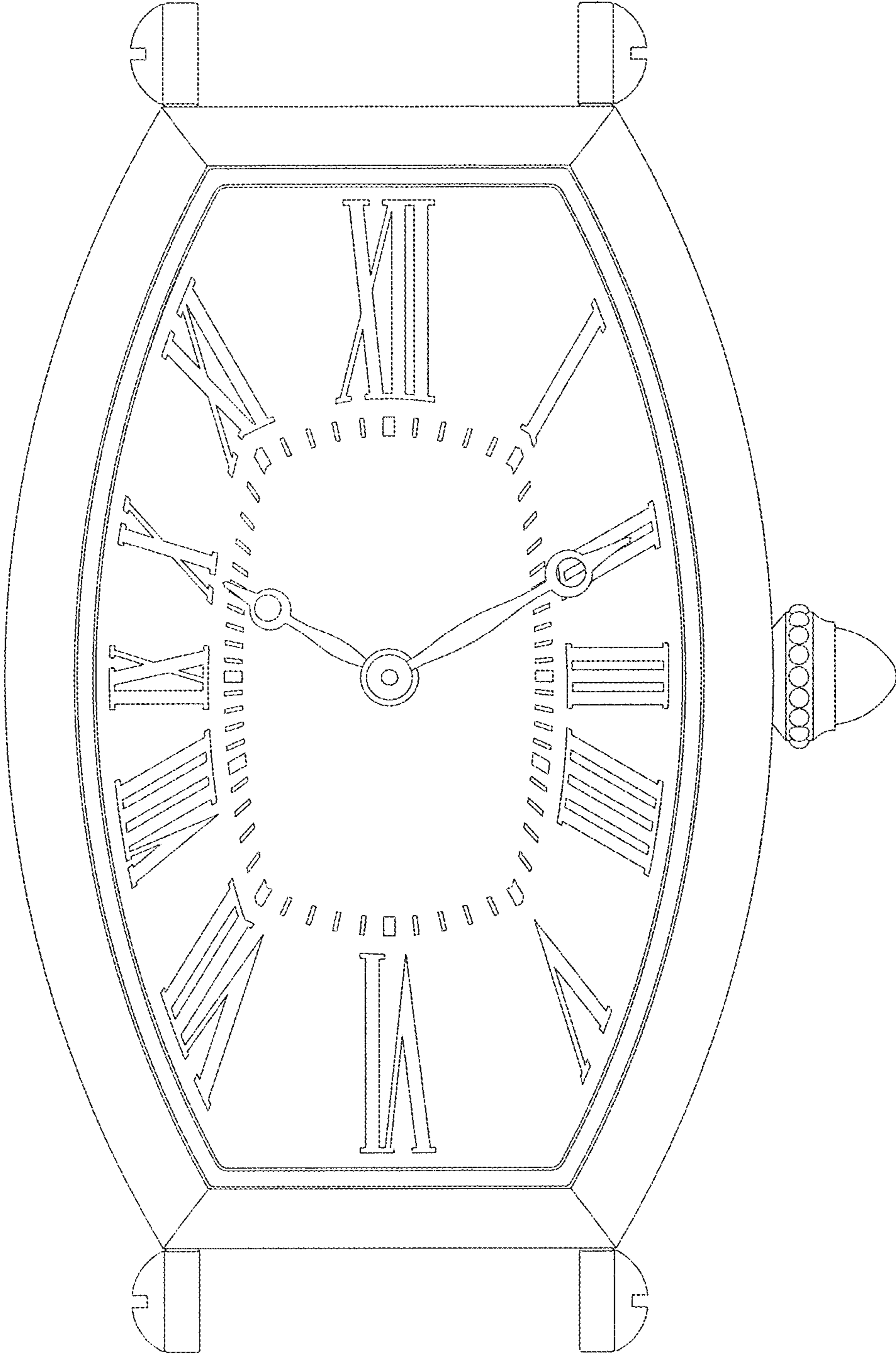


Fig. 1

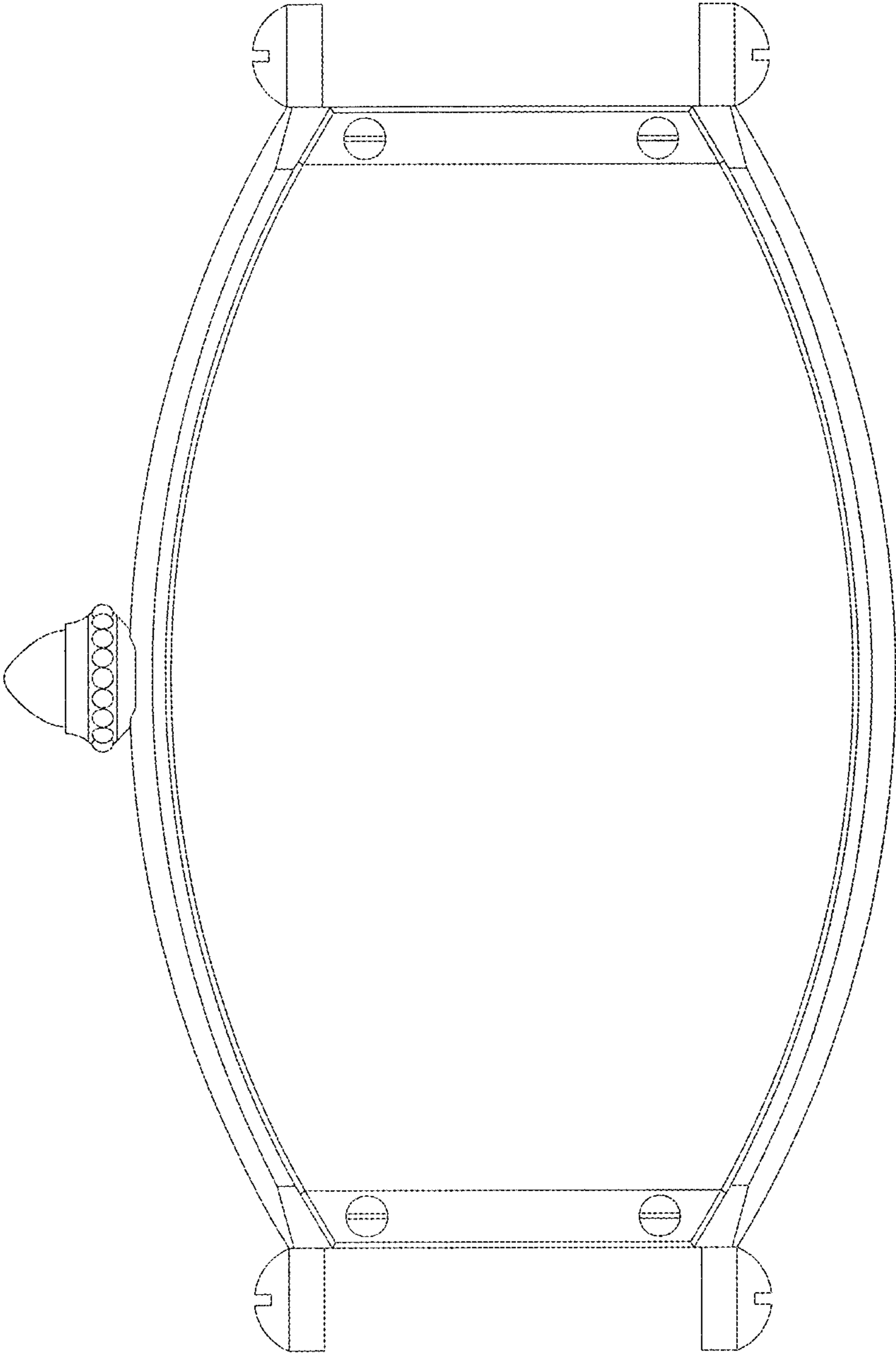


Fig. 2

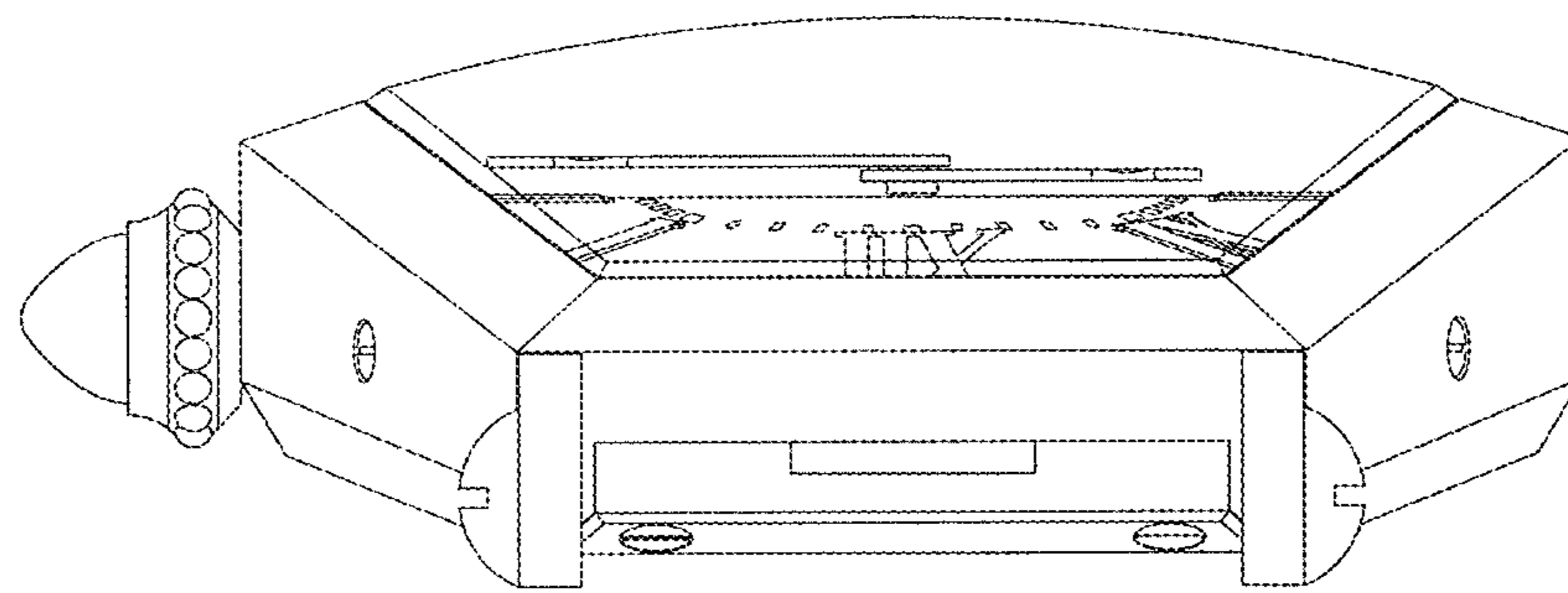


Fig. 3

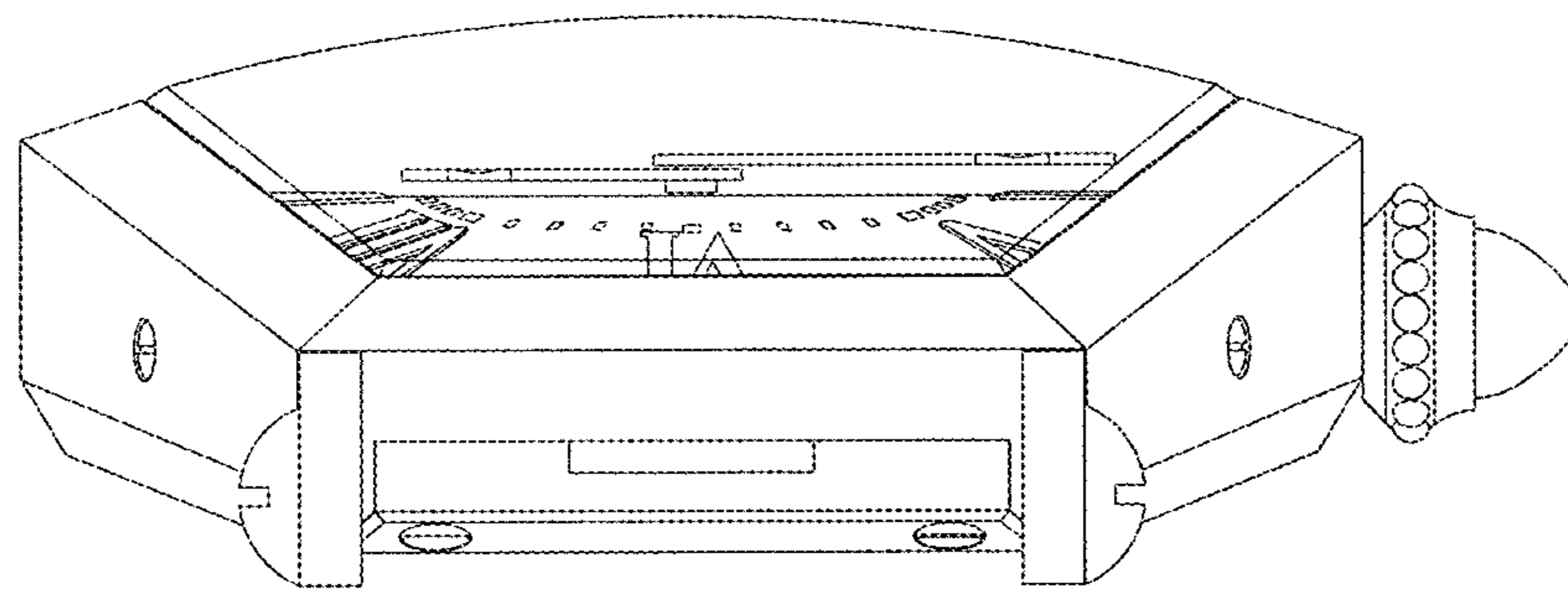


Fig. 4

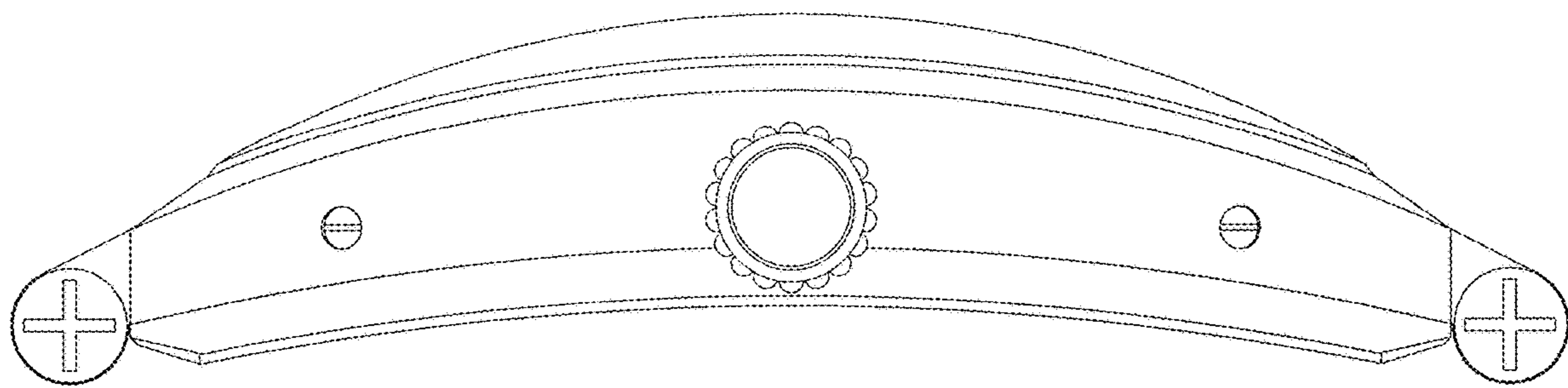


Fig. 5

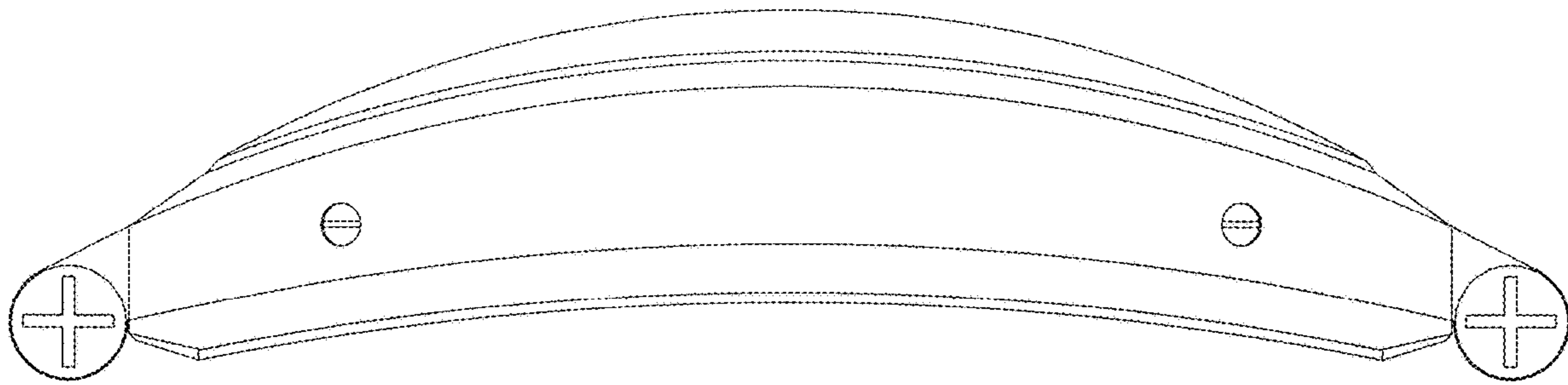


Fig. 6

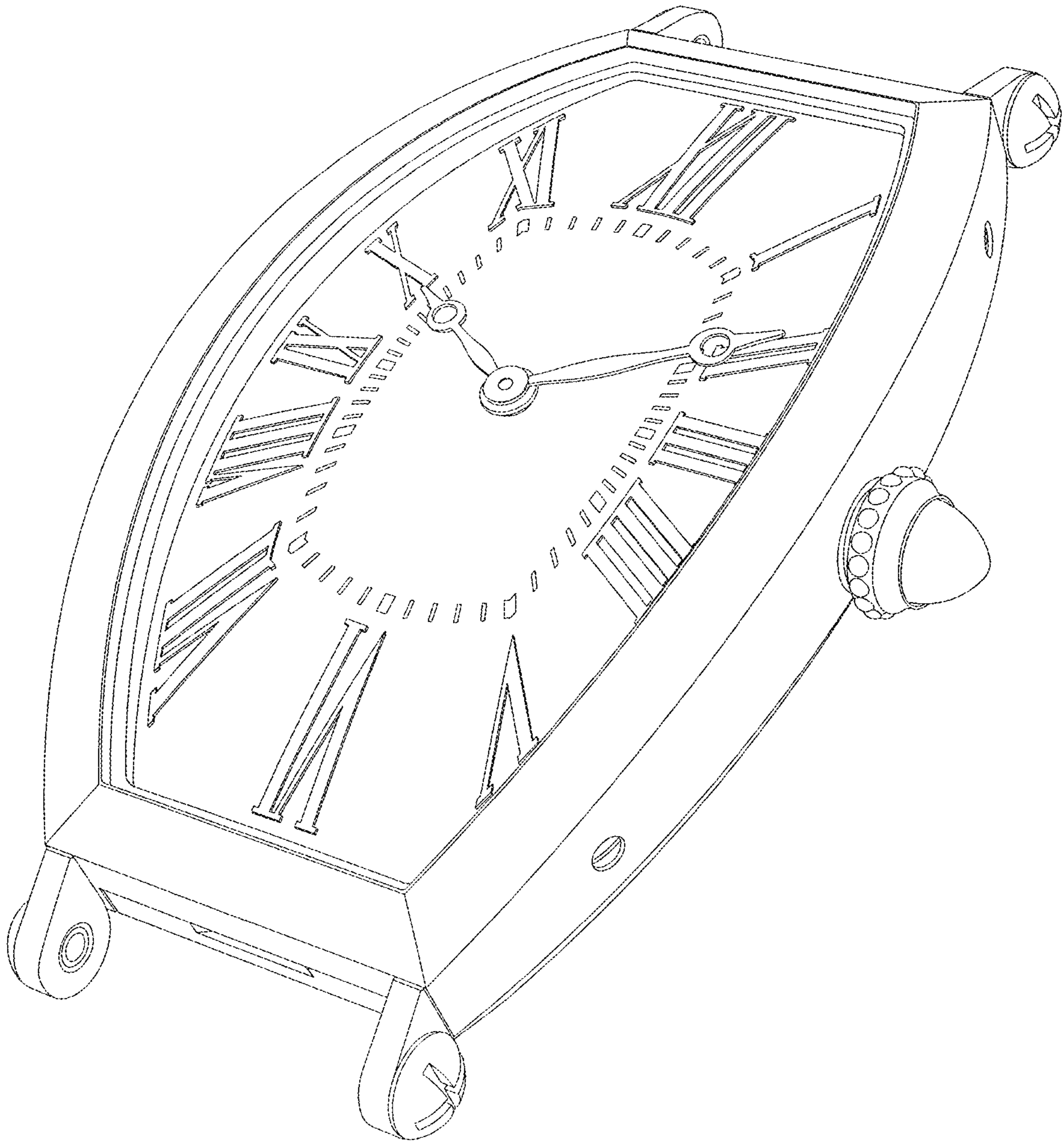


Fig. 7

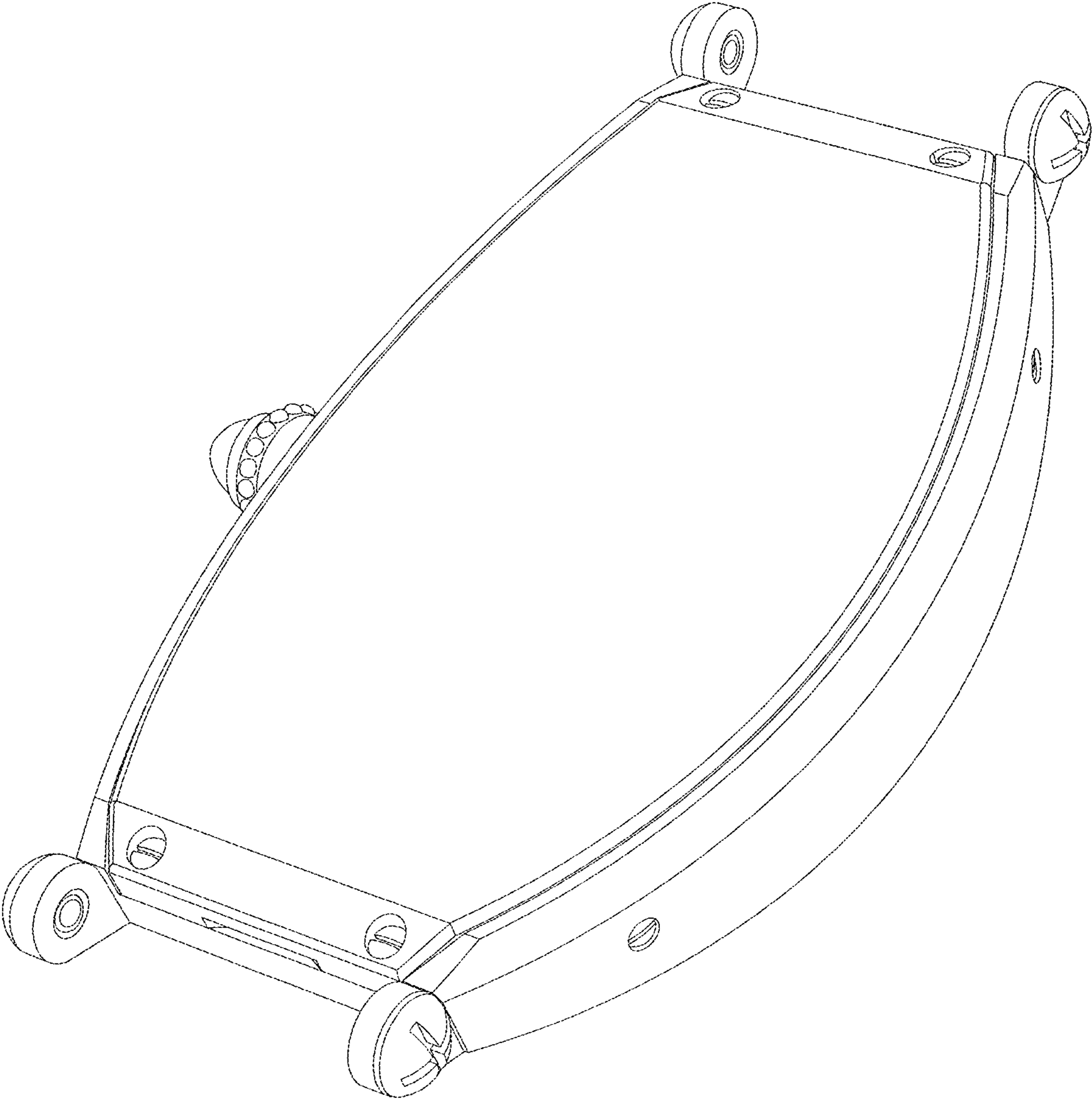


Fig. 8