



US00D919449S

(12) **United States Design Patent**
Kohda et al.

(10) **Patent No.:** **US D919,449 S**

(45) **Date of Patent:** **** May 18, 2021**

(54) **WATCHCASE**

(71) Applicant: **Citizen Watch Co., Ltd.**, Nishitokyo (JP)

(72) Inventors: **Takuma Kohda**, Tokyo (JP); **Benjamin Cheng Chin Hoi**, Kowloon (HK)

(73) Assignee: **Citizen Watch Co., Ltd.**, Tokyo (JP)

(**) Term: **15 Years**

(21) Appl. No.: **29/715,238**

(22) Filed: **Nov. 29, 2019**

(51) **LOC (13) Cl.** **10-02**

(52) **U.S. Cl.**
USPC **D10/38**

(58) **Field of Classification Search**

USPC ... D10/30–39, 65, 70, 97–98, 102, 121–124,
D10/126–128, 131–132; D14/344;
D24/167, 186

CPC G04B 19/00; G04B 19/04; G04B 19/046;
G04B 19/10; G04B 19/103; G04B
19/106; G04B 19/12; G04B 19/20; G04B
19/202; G04B 19/223; G04B 19/243;
G04B 19/283; G04B 37/00; G04B
37/0008; G04B 37/12; G04B 39/002;
G04B 39/004; G04B 39/006; G04B
45/0069; G04B 45/0076; G04G 19/06;
G04G 21/08; G06F 1/163; A61B 5/681;
A61B 5/6824

See application file for complete search history.

(56) **References Cited**

U.S. PATENT DOCUMENTS

D367,616 S * 3/1996 Dobashi D10/30
D451,820 S * 12/2001 Sugisawa D10/30
D479,135 S * 9/2003 Emmenegger D10/30
D591,180 S * 4/2009 Monachon D10/39
D598,303 S * 8/2009 Jorst D10/38
D642,075 S * 7/2011 Crocco D10/39

D649,481 S * 11/2011 Crocco D10/39
D668,971 S * 10/2012 Tedeschi D10/39
D680,884 S * 4/2013 Bernard D10/32
D684,485 S * 6/2013 Padron D10/39
D704,077 S 5/2014 Monachon
D724,962 S * 3/2015 Vaptzarof D10/39
D725,500 S * 3/2015 Biver D10/39
D726,554 S 4/2015 Takahashi
D754,550 S * 4/2016 Izuka D10/38
D809,413 S 2/2018 Prince et al.
D815,548 S 4/2018 Pillot

(Continued)

OTHER PUBLICATIONS

Introducing the Citizen Super Titanium Armor Series | hodinkee.com; posted by James Stacey Sep. 2, 2020 [online]. © 2009-2021, Hodinkee Inc [retrieved Jan. 8, 2021] from Internet: <<https://www.hodinkee.com/articles/citizen-super-titanium-armor-series-introducing>> (Year: 2020).*

Primary Examiner — Katherine Glennon

(74) *Attorney, Agent, or Firm* — RatnerPrestia

(57) **CLAIM**

The ornamental design for a watchcase, as shown and described.

DESCRIPTION

FIG. 1 is a front perspective view of a watchcase showing our new design;

FIG. 2 is a front elevational view thereof;

FIG. 3 is a left side elevational view thereof;

FIG. 4 is a right side elevational view thereof;

FIG. 5 is a rear elevational view thereof;

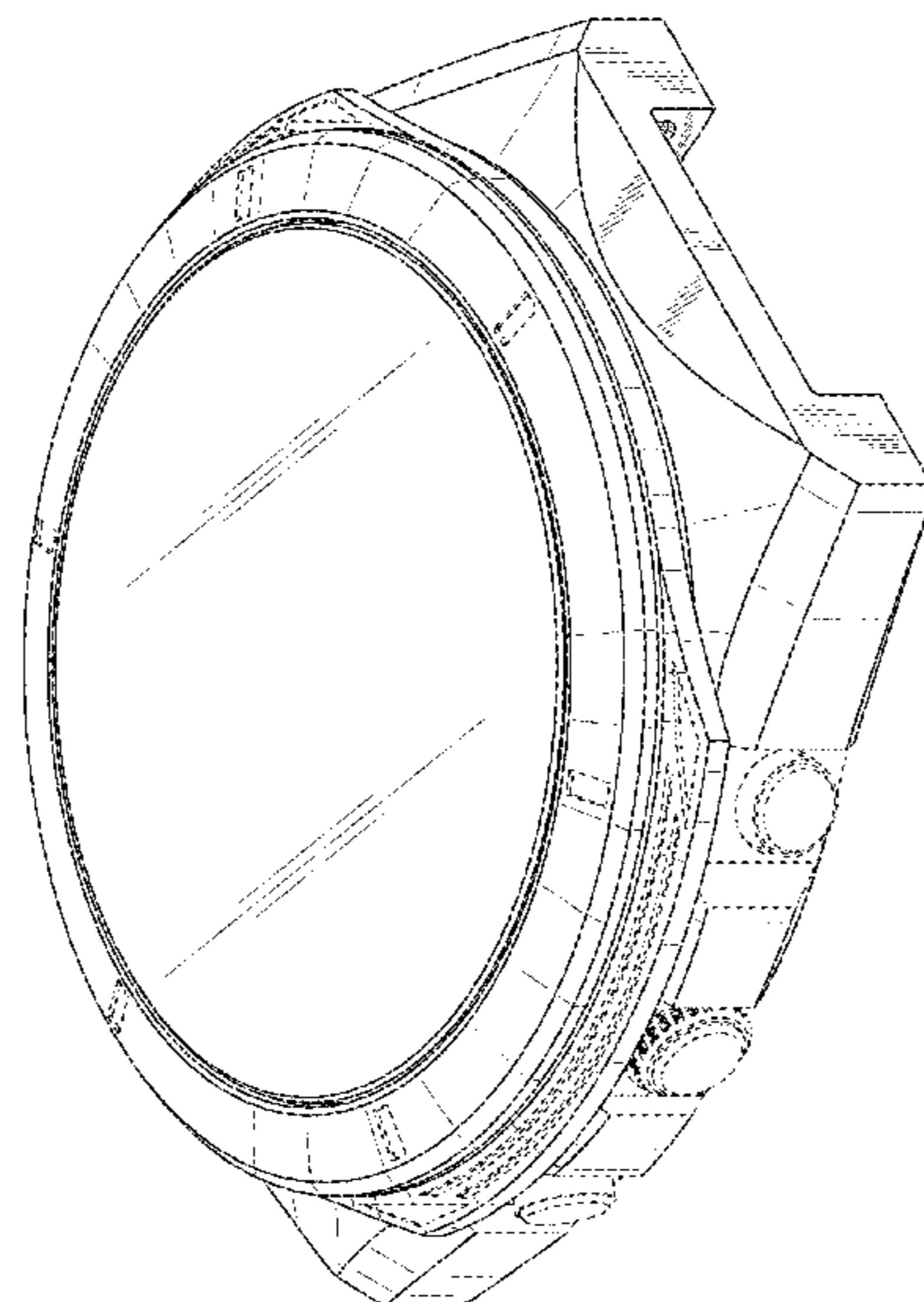
FIG. 6 is a top plan view thereof;

FIG. 7 is a bottom plan view thereof; and,

FIG. 8 is an alternate front perspective view thereof showing the bezel turned.

The broken lines illustrate portions of the watchcase that form no part of the claimed design.

1 Claim, 6 Drawing Sheets



(56)

References Cited

U.S. PATENT DOCUMENTS

D821,892 S	7/2018	Parmigiani	
D843,228 S *	3/2019	Miodrag	D10/32
D855,487 S	8/2019	Schaad	
D881,024 S *	4/2020	Savary	D10/38
D883,105 S *	5/2020	Bode	D10/30
D893,318 S *	8/2020	Orlinski	D10/39

* cited by examiner

FIG. 1

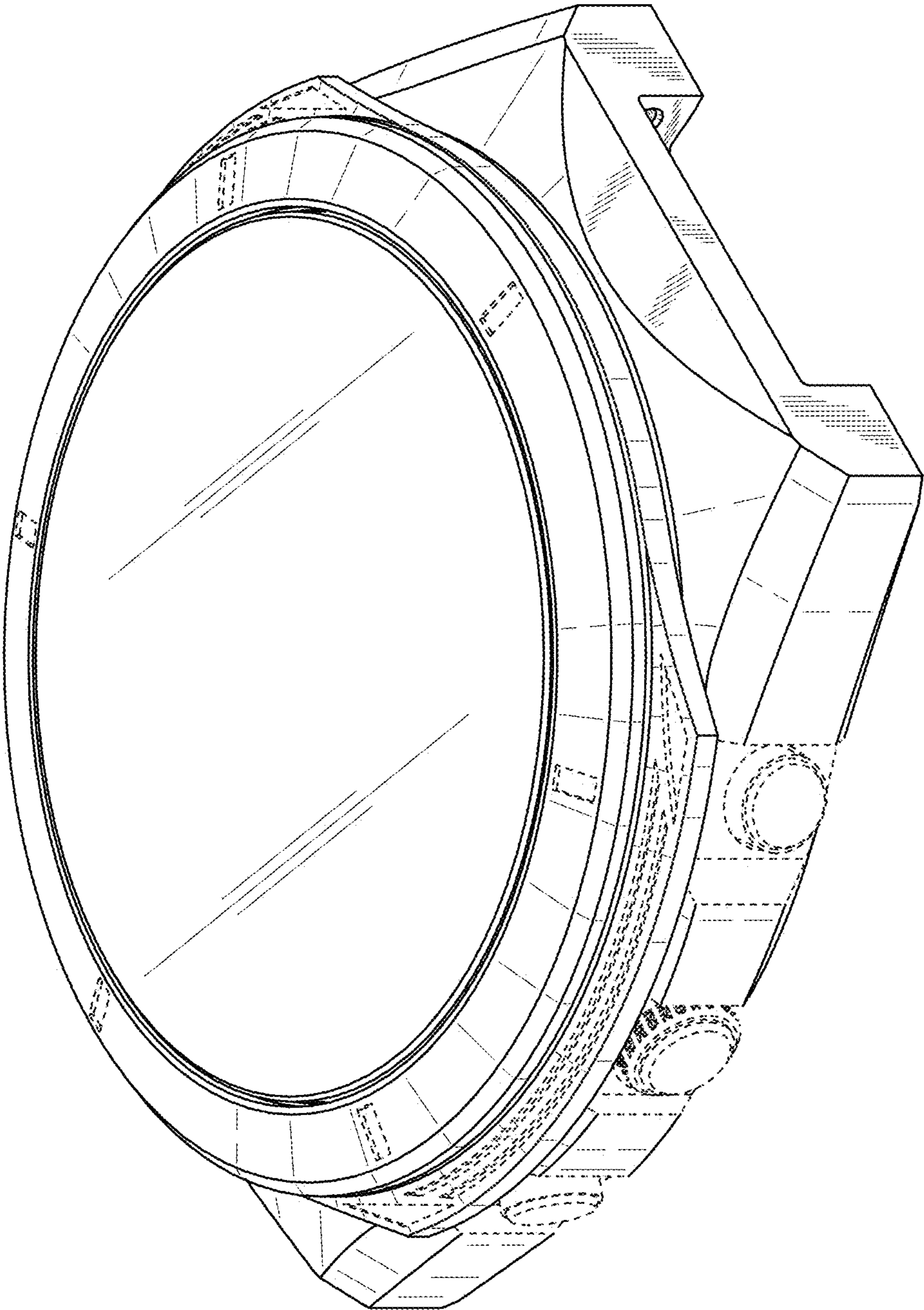


FIG. 2

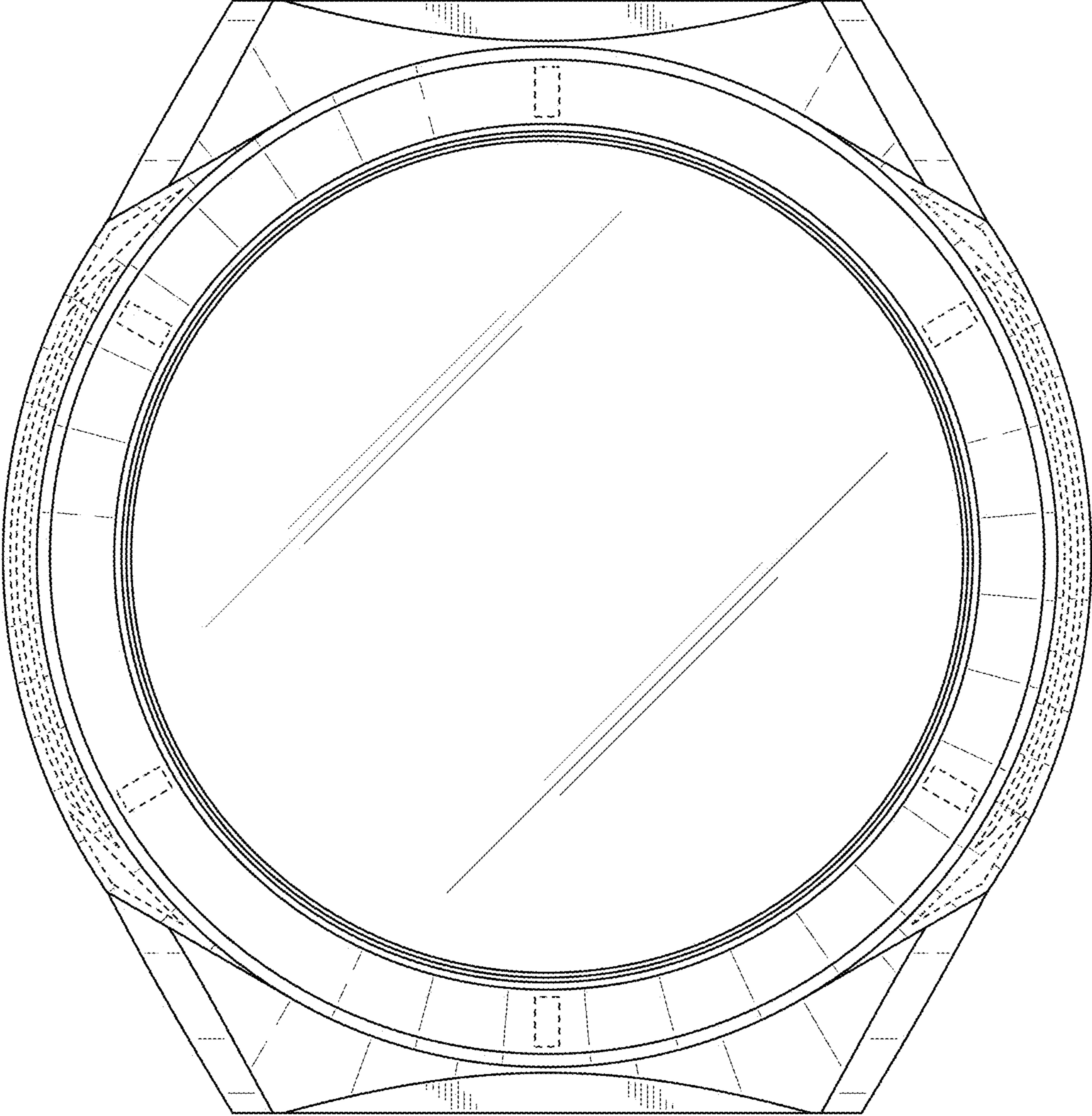


FIG. 3

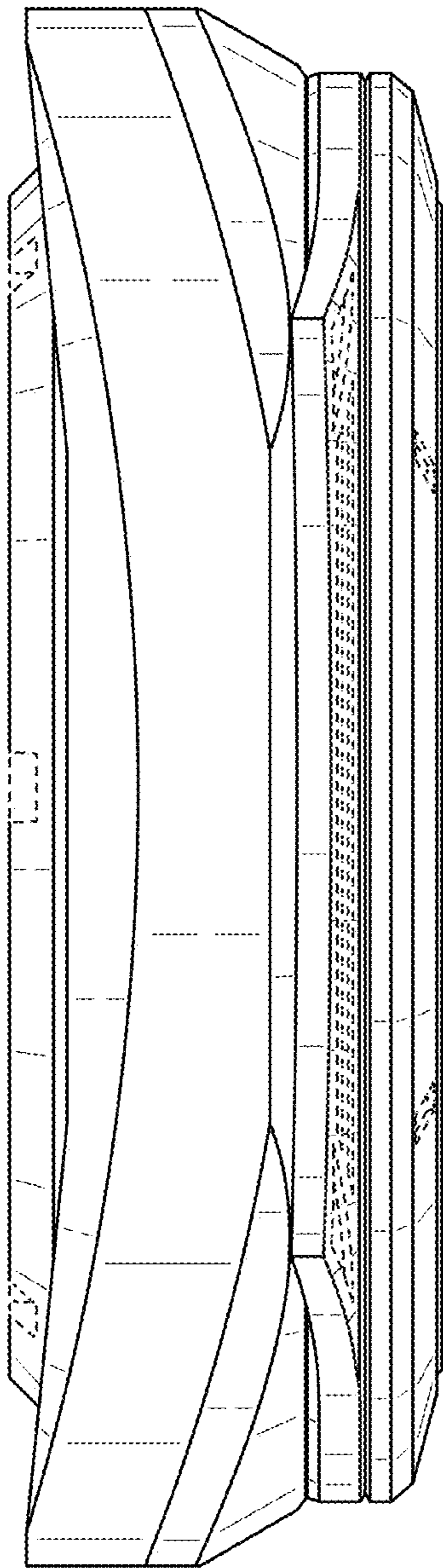


FIG. 4

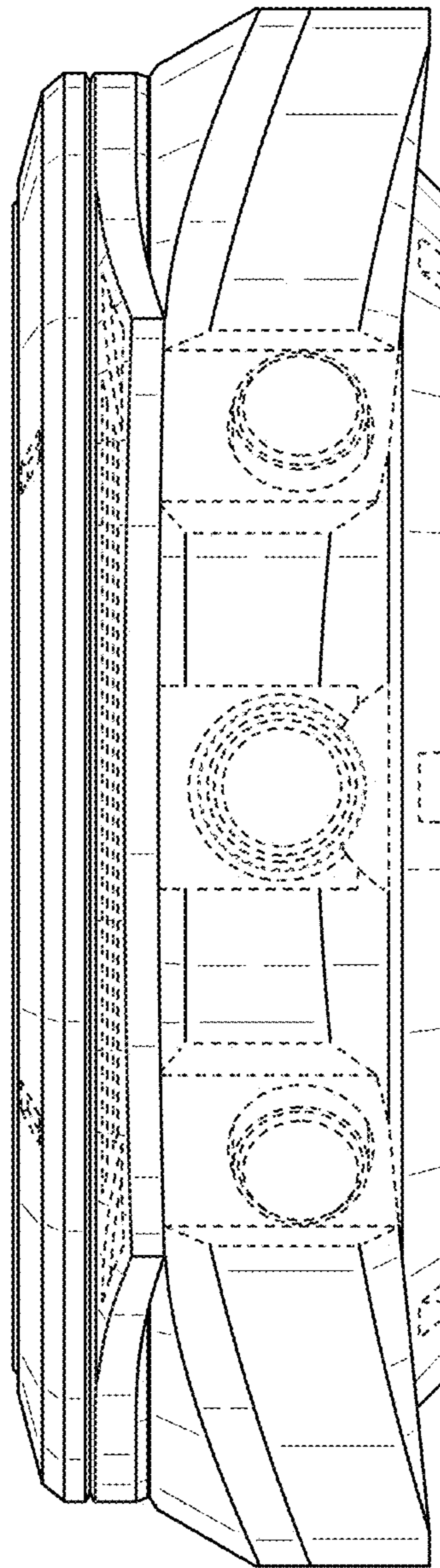


FIG. 5

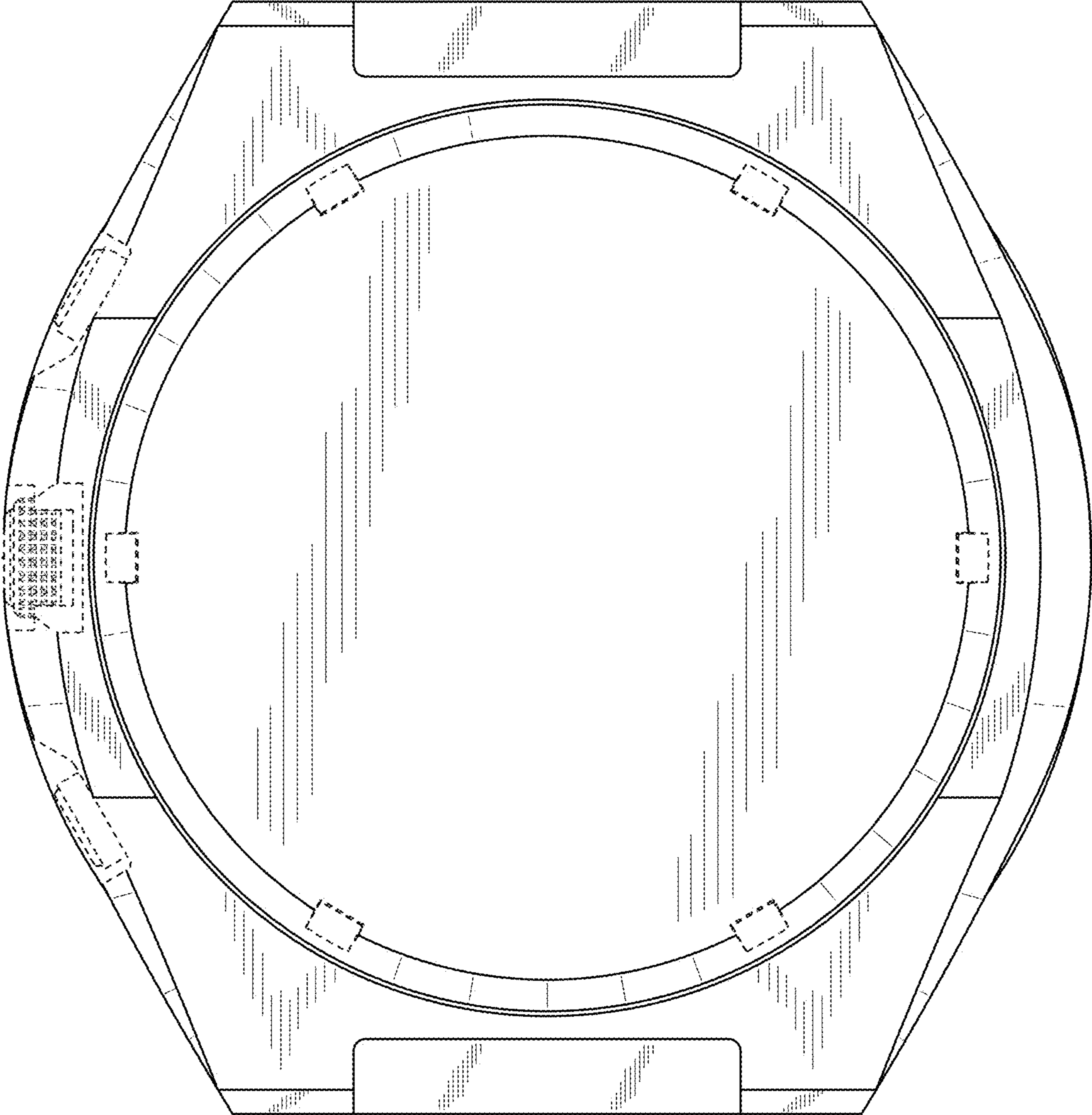


FIG. 6

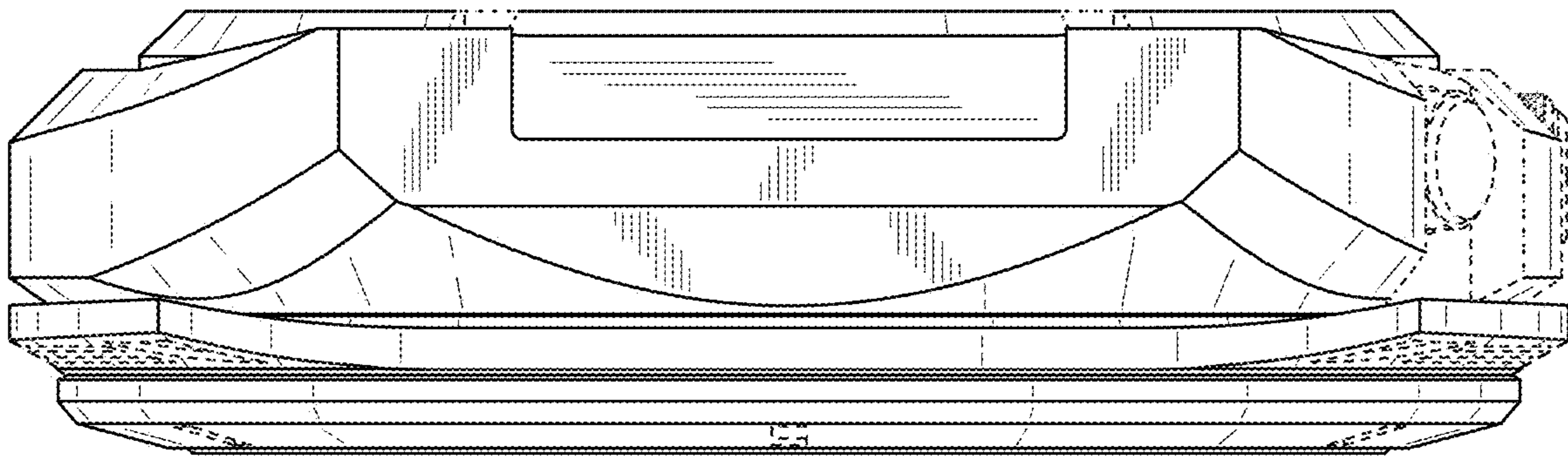


FIG. 7

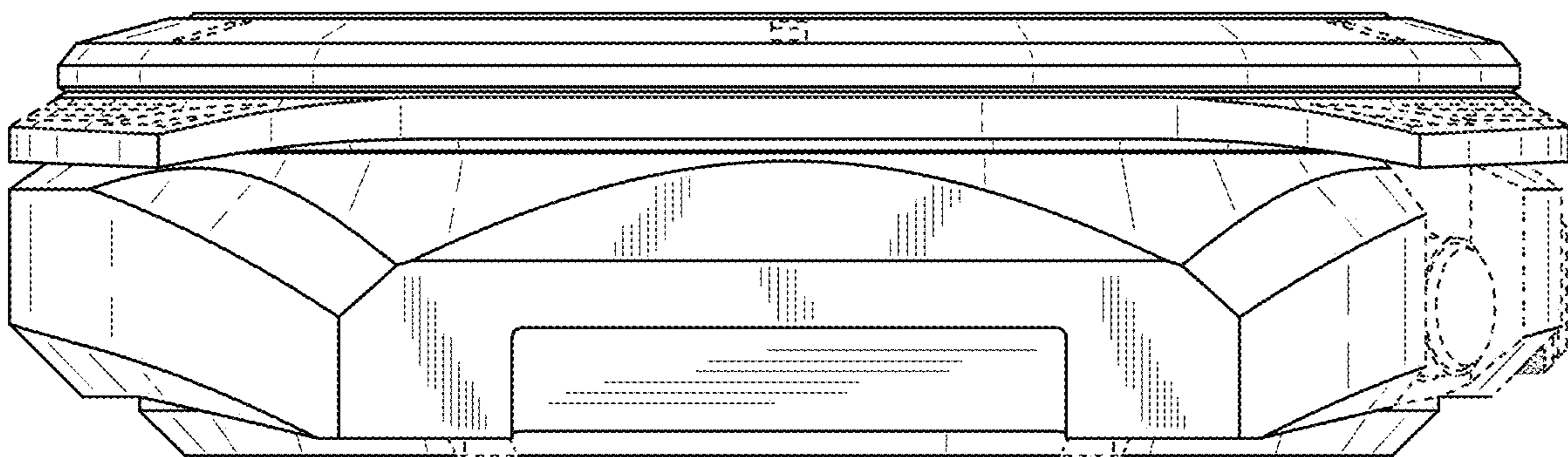


FIG. 8

