



US00D919445S

(12) **United States Design Patent**  
**VanderWoude**

(10) **Patent No.:** **US D919,445 S**

(45) **Date of Patent:** **\*\* May 18, 2021**

(54) **DISPENSER BOTTLE**

(71) Applicant: **Bo VanderWoude**, Wheatfield, IN (US)

(72) Inventor: **Bo VanderWoude**, Wheatfield, IN (US)

(\*\*) Term: **15 Years**

(21) Appl. No.: **29/689,959**

(22) Filed: **May 3, 2019**

(51) **LOC (13) Cl.** ..... **09-01**

(52) **U.S. Cl.**  
USPC ..... **D9/726; D9/727**

(58) **Field of Classification Search**  
USPC ..... D9/535, 723, 726, 727; D3/215, 282;  
D7/533, 536  
CPC .... B67D 1/004; B67D 1/0412; B65D 51/249;  
B65D 2543/00296; B65D 2543/00537;  
B65D 23/001; B65D 1/0223; B65D 35/44  
See application file for complete search history.

D476,226 S *	6/2003	Weber .....	D9/529
6,572,301 B1	6/2003	Robinson	
D505,748 S	5/2005	Angelletta	
6,887,007 B2	5/2005	Sorrell	
6,918,711 B2	7/2005	Fuller	
D507,870 S *	8/2005	Anderton .....	D3/215
D507,965 S *	8/2005	Alvino .....	D9/727
D612,248 S *	3/2010	Safdieh .....	D9/535
D624,239 S *	9/2010	Breidenbach .....	D28/7
D631,698 S *	2/2011	Marsh .....	D7/510
D686,510 S *	7/2013	Zerba .....	D9/726
D793,867 S *	8/2017	Wilkins .....	D9/726
D803,002 S *	11/2017	Gretz .....	D7/536
2003/0226198 A1 *	12/2003	Harbutt .....	E03D 9/037 4/227.1

(Continued)

*Primary Examiner* — Lauren R Calve

(74) *Attorney, Agent, or Firm* — Christopher Mayle;  
Thomas E. LaGrandeur; Bold IP, PLLC

(57) **CLAIM**

The ornamental design for a dispenser bottle, as shown and described.

(56) **References Cited**

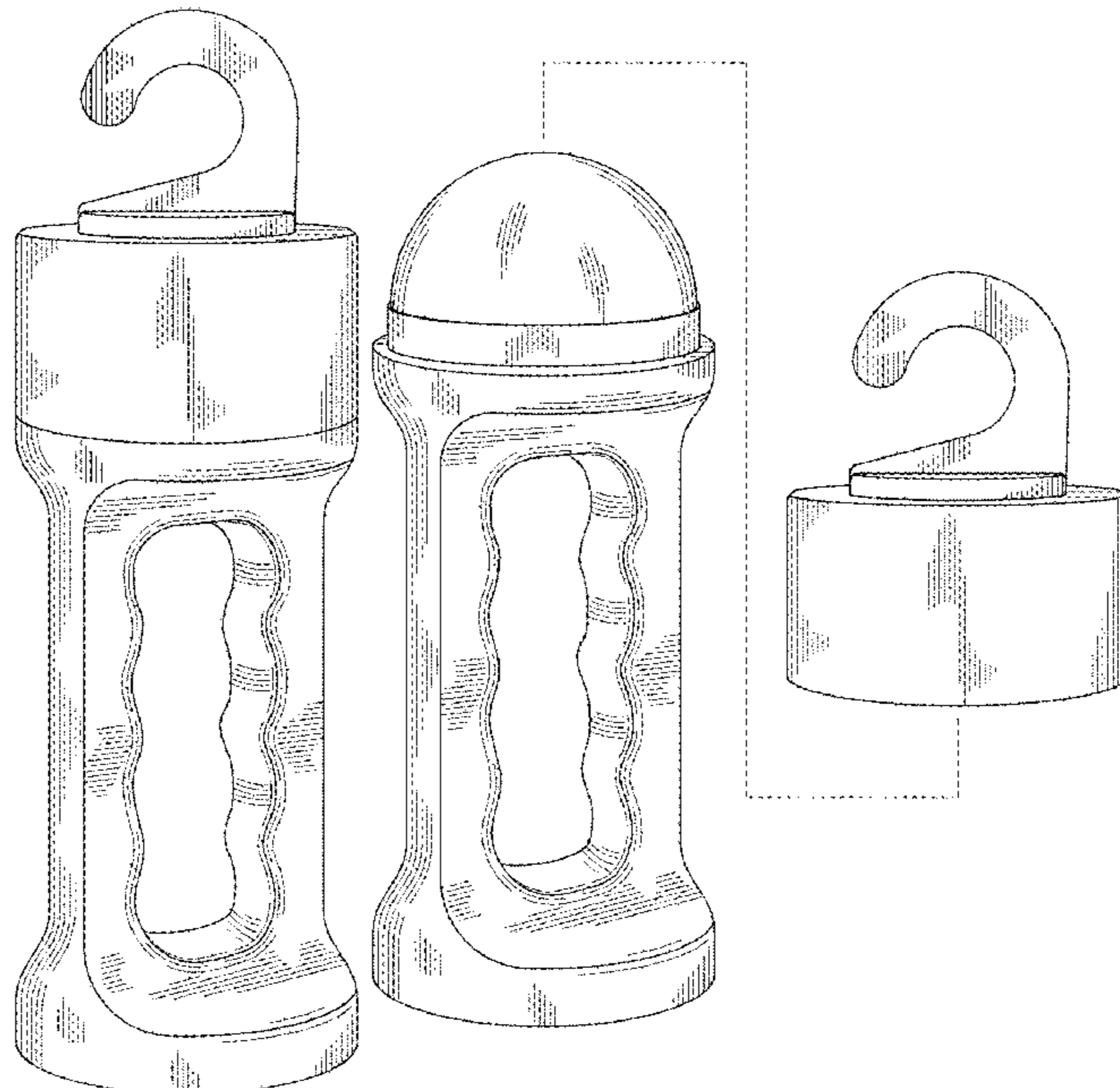
U.S. PATENT DOCUMENTS

3,617,139 A	11/1971	Ross	
4,793,517 A	12/1988	Washut	
D346,112 S *	4/1994	Alcindor .....	D9/726
5,308,181 A	5/1994	Hull et al.	
5,397,194 A	3/1995	Yuan et al.	
D370,635 S *	6/1996	Dutton .....	D9/540
D405,925 S	2/1999	Badillo	
5,944,032 A	8/1999	Masterson	
6,036,391 A	3/2000	Holliday et al.	
6,039,491 A	3/2000	Balillo	
6,210,057 B1	4/2001	Yannaci et al.	
6,247,862 B1	6/2001	Garza	
6,412,997 B2	7/2002	Berke et al.	
D470,014 S *	2/2003	Soehnlen .....	D7/511
D470,593 S *	2/2003	Iodice .....	D24/197
6,550,996 B1	4/2003	Fayfield	

**DESCRIPTION**

FIG. 1 is a perspective view of a dispenser bottle in accordance with this invention.  
FIG. 2 is a front elevational view of the dispenser bottle of FIG. 1, wherein the rear elevational view of the dispenser bottle is a mirror image of FIG. 2 and therefore not shown.  
FIG. 3 is a right elevational side view of the dispenser bottle of FIG. 1.  
FIG. 4 is a top view of the dispenser bottle of FIG. 1.  
FIG. 5 is a bottom view of the dispenser bottle of FIG. 1; and,  
FIG. 6 is a perspective view of the dispenser bottle of FIG. 1, with a cap thereof removed to expose an applicator of the dispenser bottle.

**1 Claim, 3 Drawing Sheets**



(56)

**References Cited**

U.S. PATENT DOCUMENTS

2007/0095861 A1\* 5/2007 Yates ..... B05B 11/0037  
222/323  
2008/0181714 A1 7/2008 Fox et al.  
2009/0311029 A1 12/2009 Guttman  
2015/0096218 A1\* 4/2015 Burr ..... A01M 31/008  
43/1

\* cited by examiner

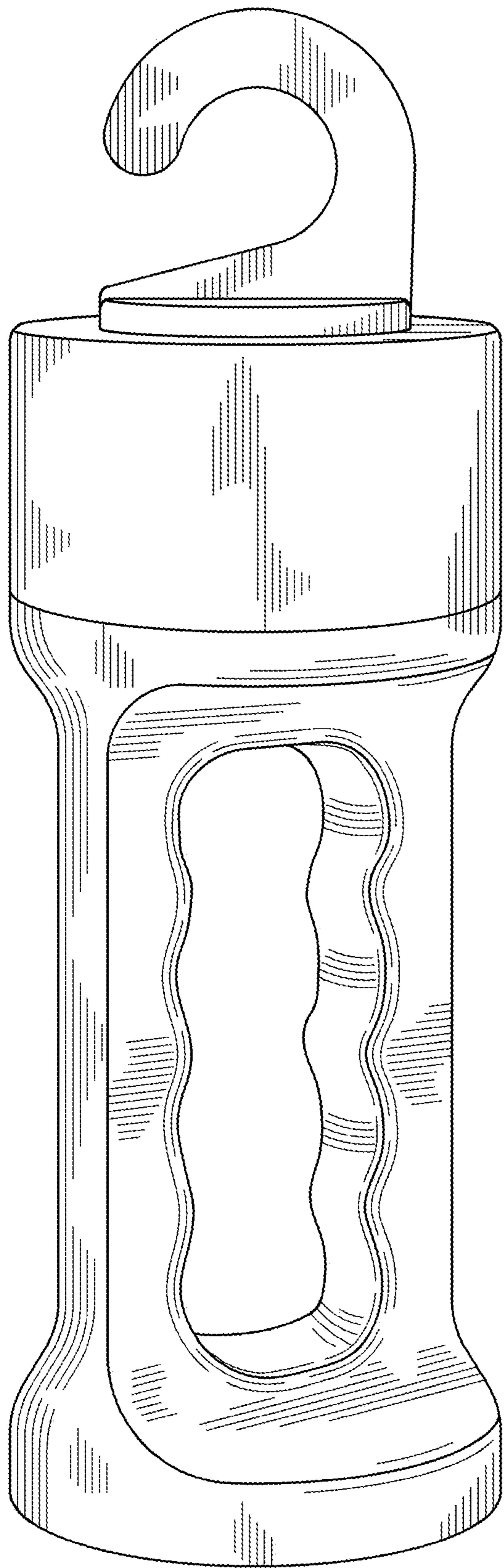


FIG. 1

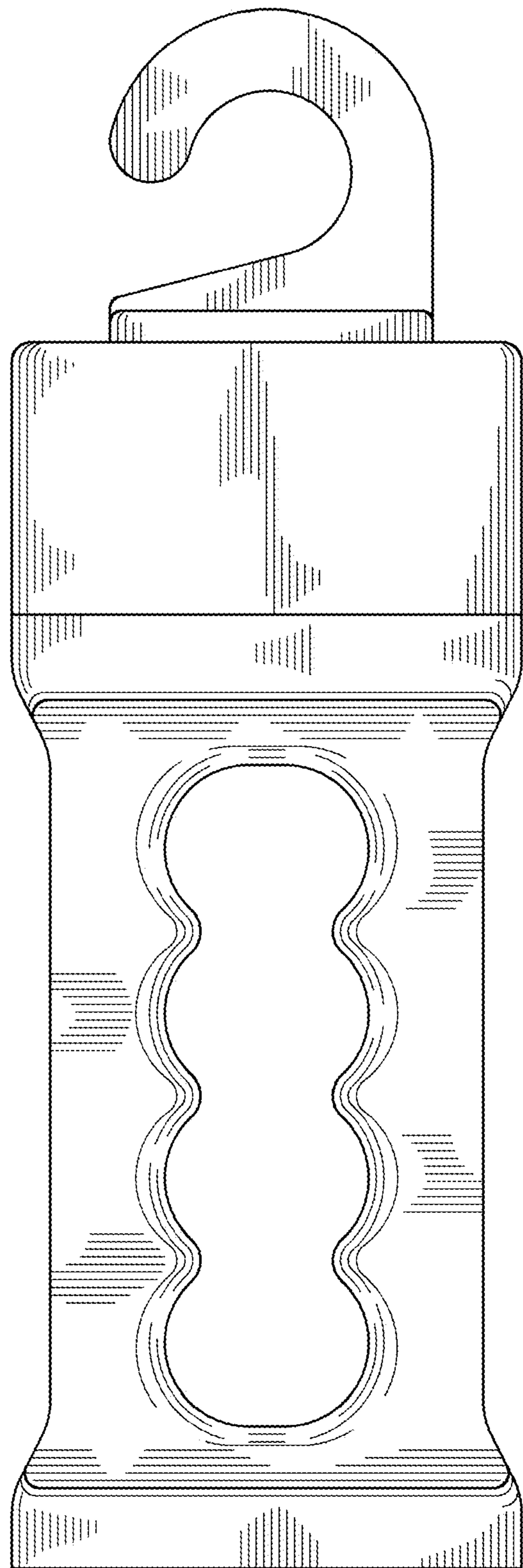


FIG. 2

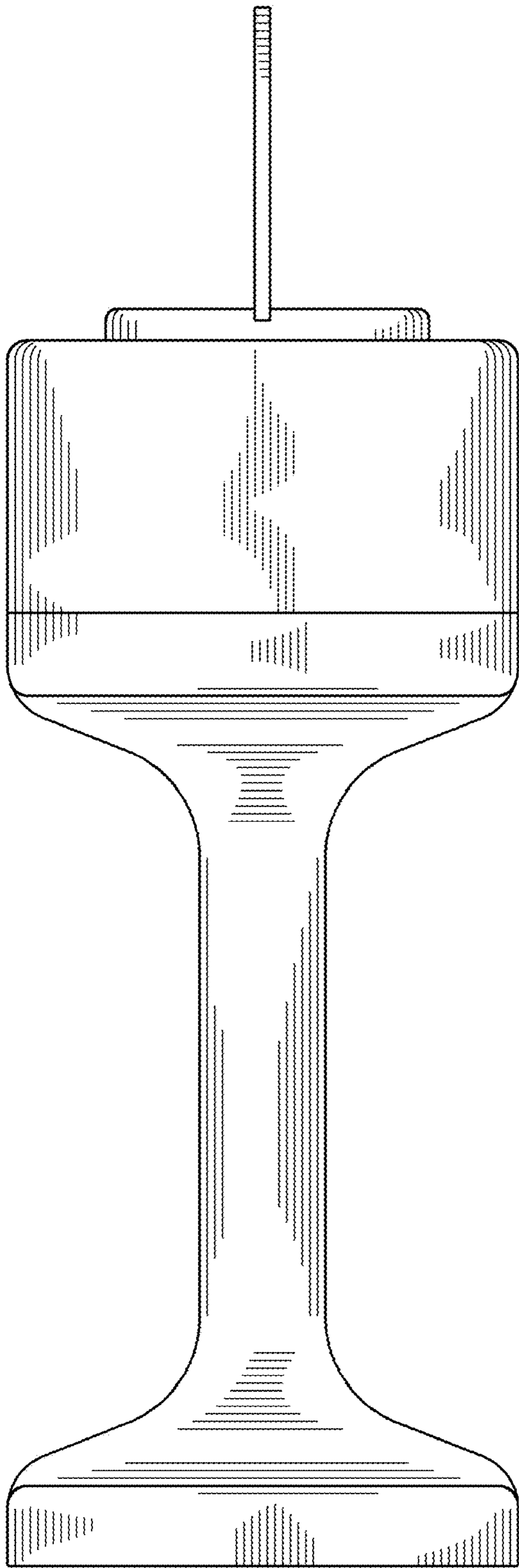


FIG. 3

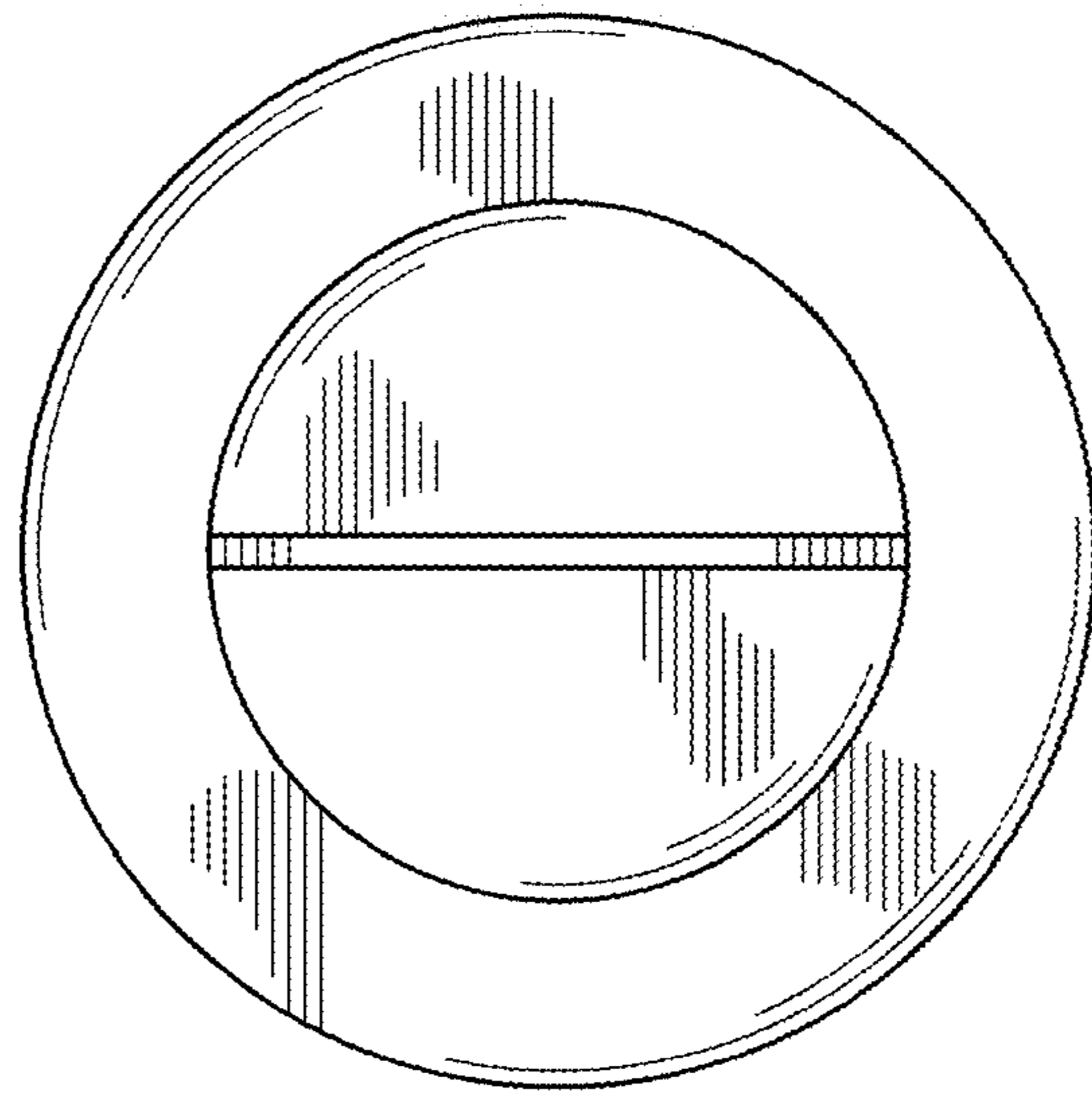


FIG. 4

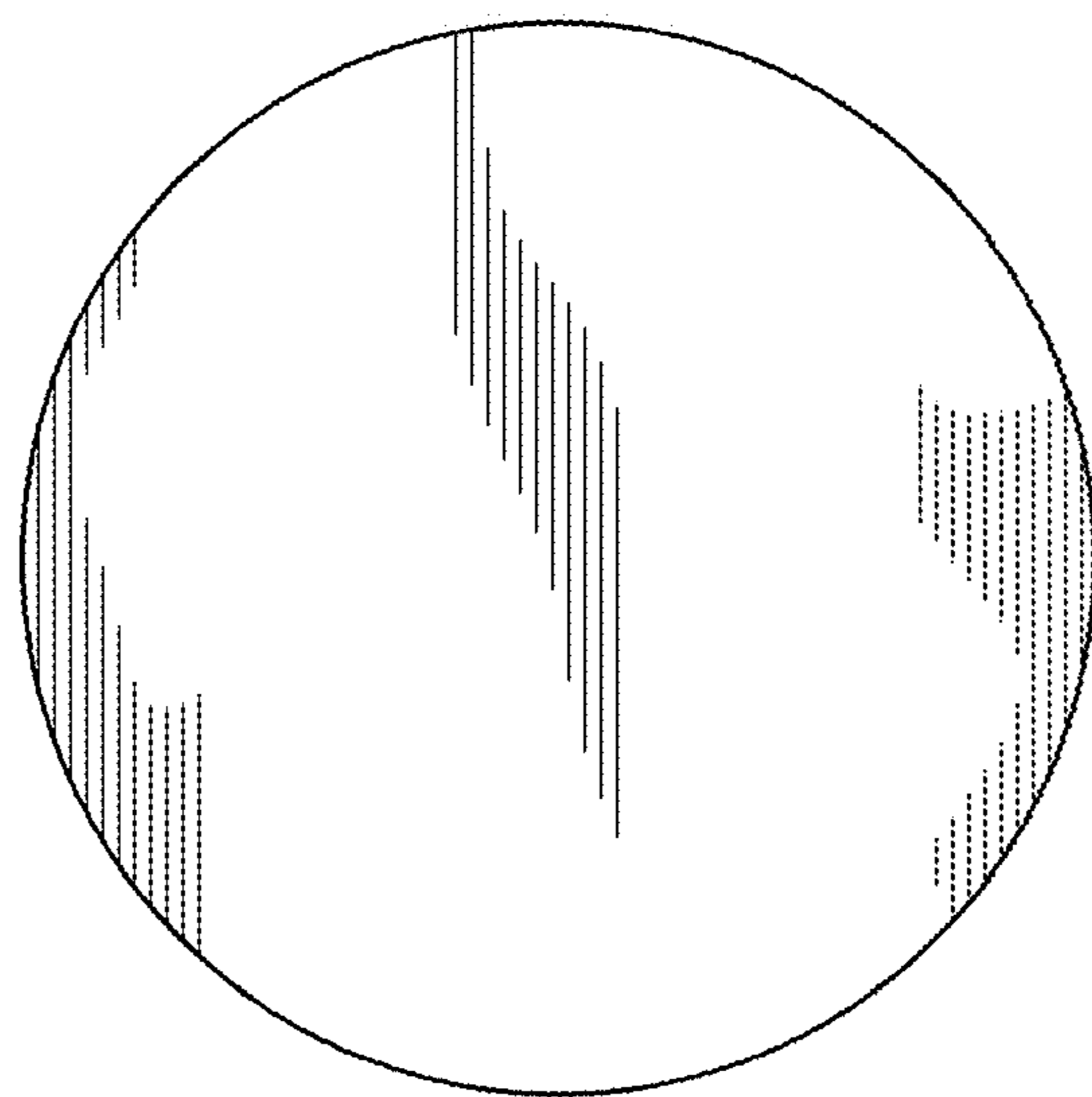


FIG. 5

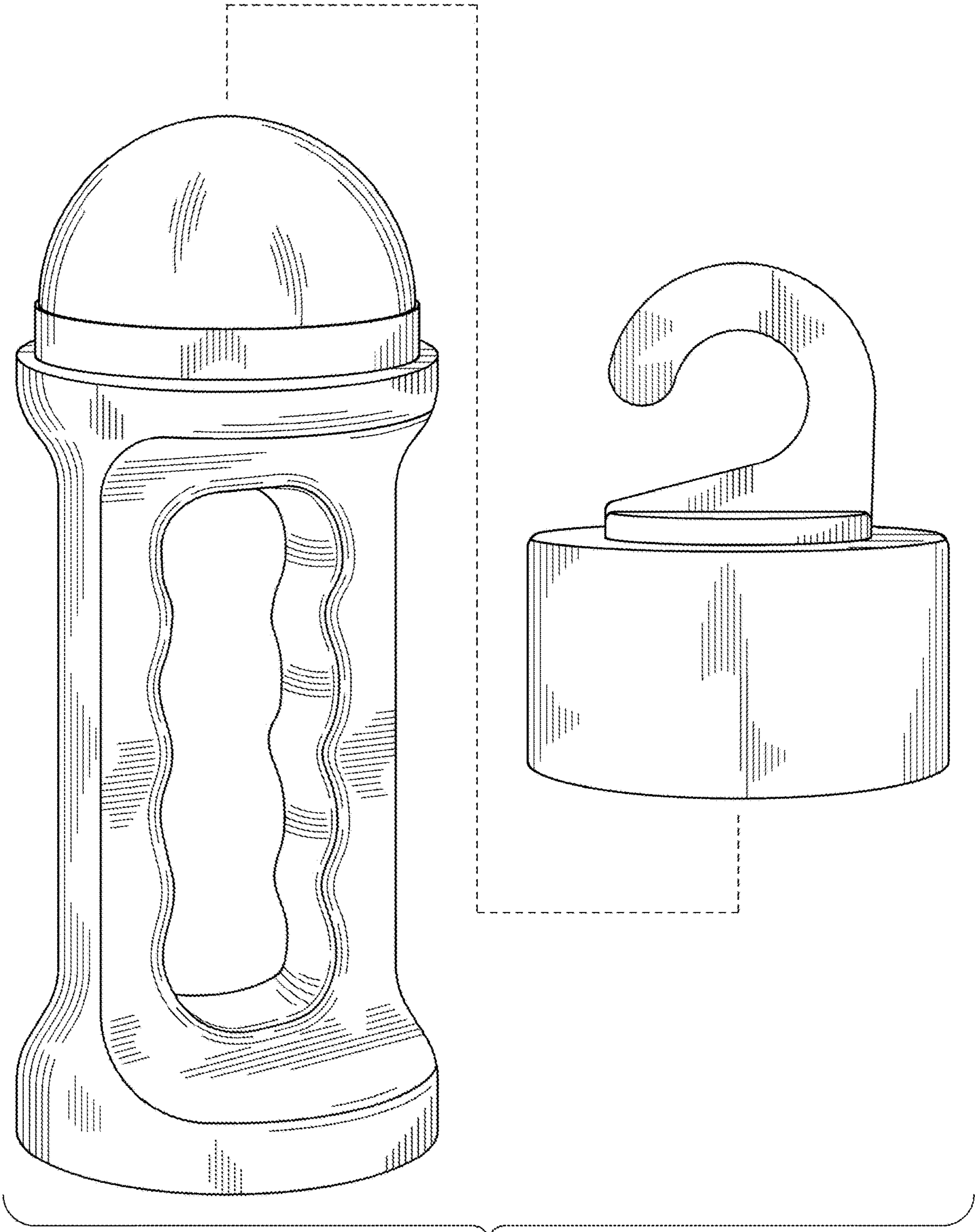


FIG. 6