



US00D919443S

(12) **United States Design Patent** (10) **Patent No.:** **US D919,443 S**
Liao (45) **Date of Patent:** **** May 18, 2021**

(54) **SILICONE SEALED BAG**
(71) Applicant: **Changxu Liao**, Xinxu (CN)
(72) Inventor: **Changxu Liao**, Xinxu (CN)
(**) Term: **15 Years**
(21) Appl. No.: **29/745,149**
(22) Filed: **Aug. 4, 2020**
(51) **LOC (13) Cl.** **09-05**
(52) **U.S. Cl.**
USPC **D9/709**
(58) **Field of Classification Search**
USPC D9/702-714, 414-415, 417-418, 737,
D9/424, 430-433, 730-732, 756, 761;
D7/549, 553.2, 590, 602; D3/201, 203.1,
D3/203.3, 303, 202; 206/527, 4.27, 807,
206/260, 811, 103, 203, 207; 220/23.4,
220/500, 666; 229/120.02, 120.011,
229/87.06; 426/114-115, 119, 120;
222/92, 107, 215, 206
CPC B65D 85/00; B65D 75/00; B65D 33/00;
B65D 33/04; B65D 33/24; B65D 33/16;
B65D 33/12; B65D 33/008; B65D 25/04;
B65D 31/02
See application file for complete search history.

D878,925 S * 3/2020 McGrath D9/709
D879,563 S 3/2020 Xu
D880,249 S 4/2020 Xu
D885,931 S 6/2020 Yosufy
D886,532 S 6/2020 Peng

* cited by examiner

Primary Examiner — Abraham Bahta
(74) *Attorney, Agent, or Firm* — Law Offices of Steven
W. Weinrieb

(57) **CLAIM**

The ornamental design for a silicone sealed bag, as shown
and described.

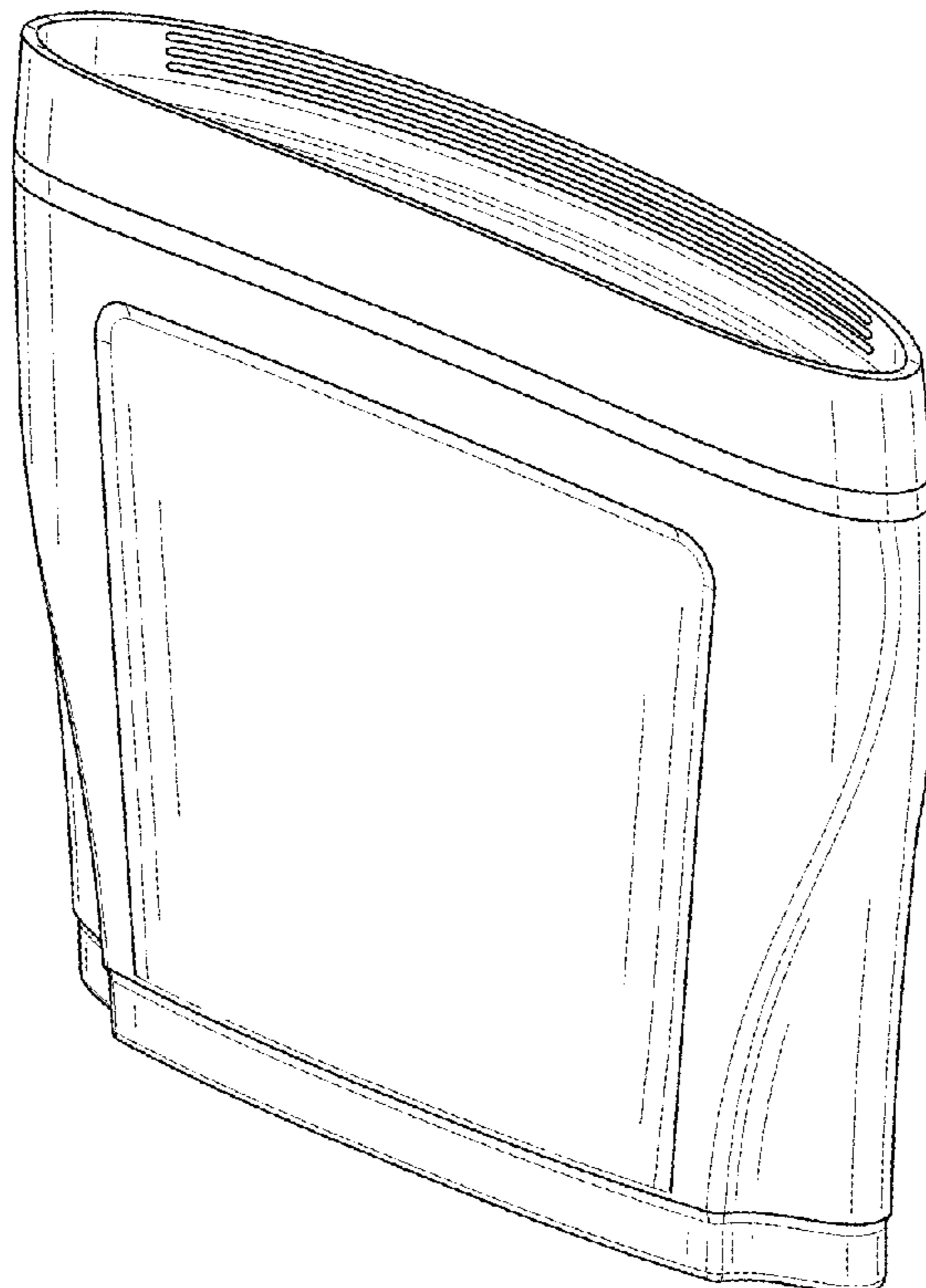
DESCRIPTION

FIG. 1 is a front, right side, top perspective view of a silicone
sealed bag showing my new design;
FIG. 2 is a front elevational view thereof;
FIG. 3 is a rear side elevational view thereof;
FIG. 4 is a left side elevational view thereof;
FIG. 5 is a right plan view thereof;
FIG. 6 is a top plan view thereof;
FIG. 7 is a bottom plan view thereof; and,
FIG. 8 is a cross-sectional view of the silicone sealed bag as
taken along the lines 8-8 of FIG. 2.
The broken lines depict portions of the silicone sealed bag
that form no part of the claimed design.

(56) **References Cited**
U.S. PATENT DOCUMENTS

D647,069 S * 10/2011 Takao D13/180
D869,957 S 12/2019 Ryszawy

1 Claim, 8 Drawing Sheets



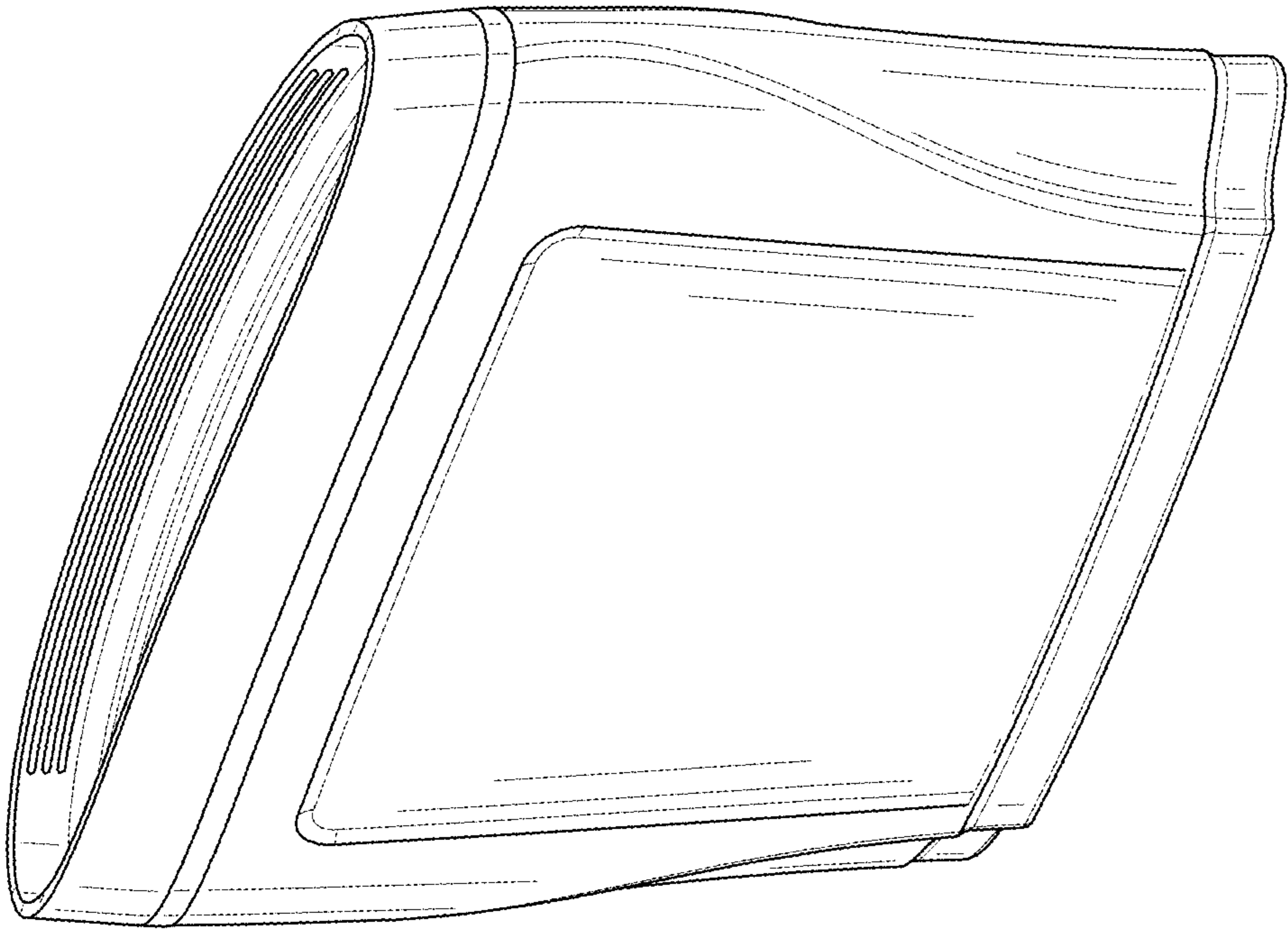


FIG.1

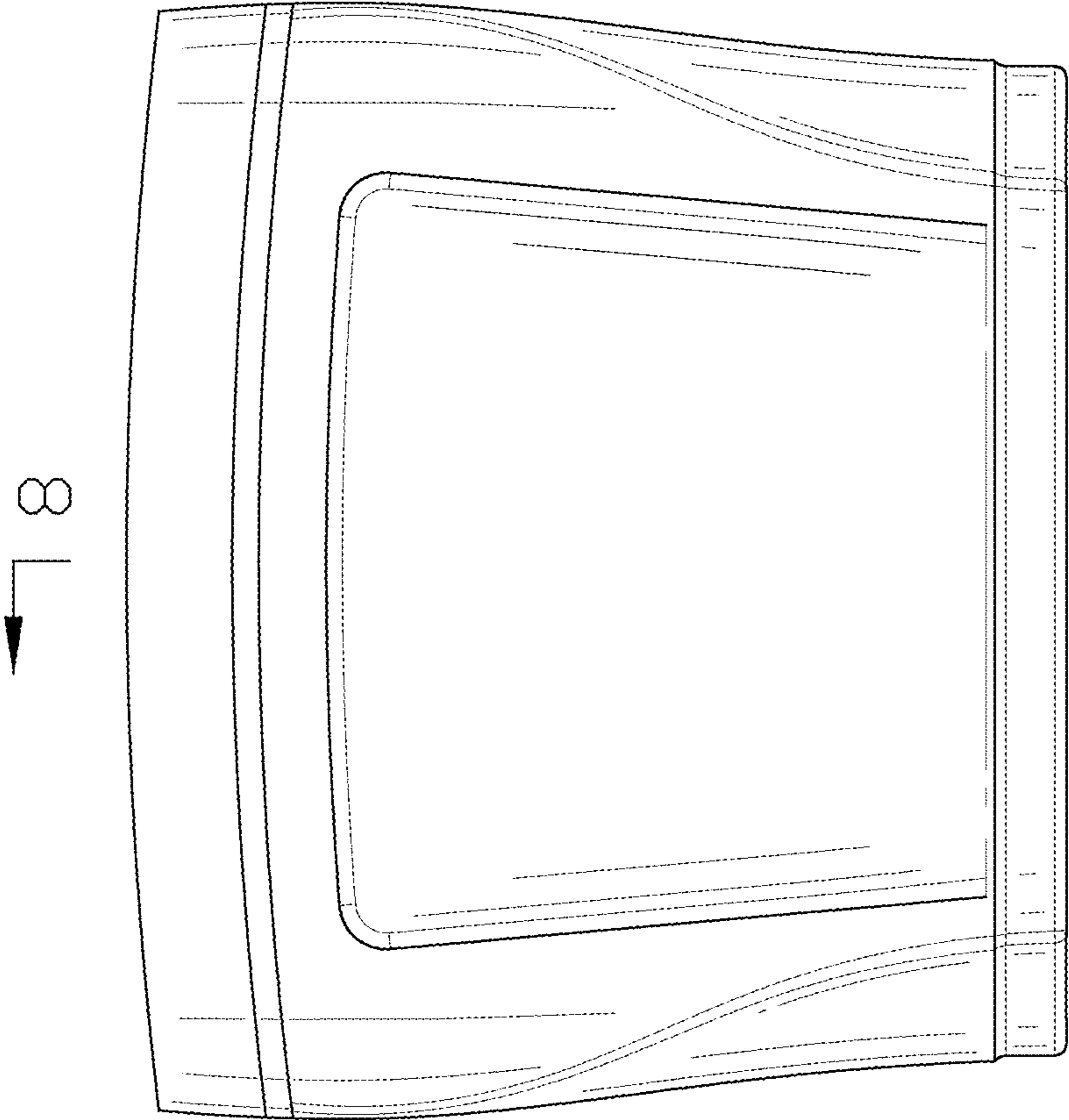


FIG. 2

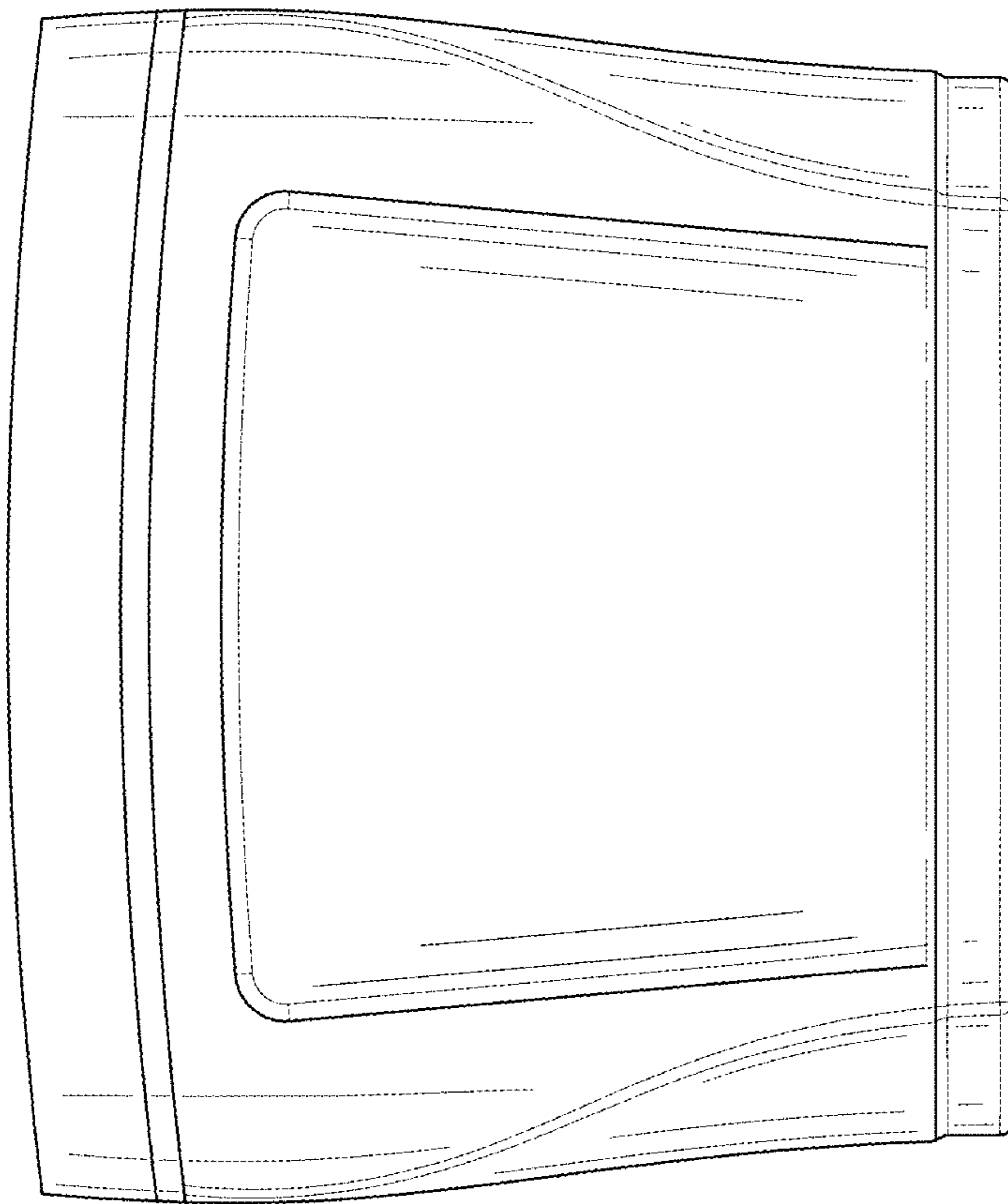


FIG.3

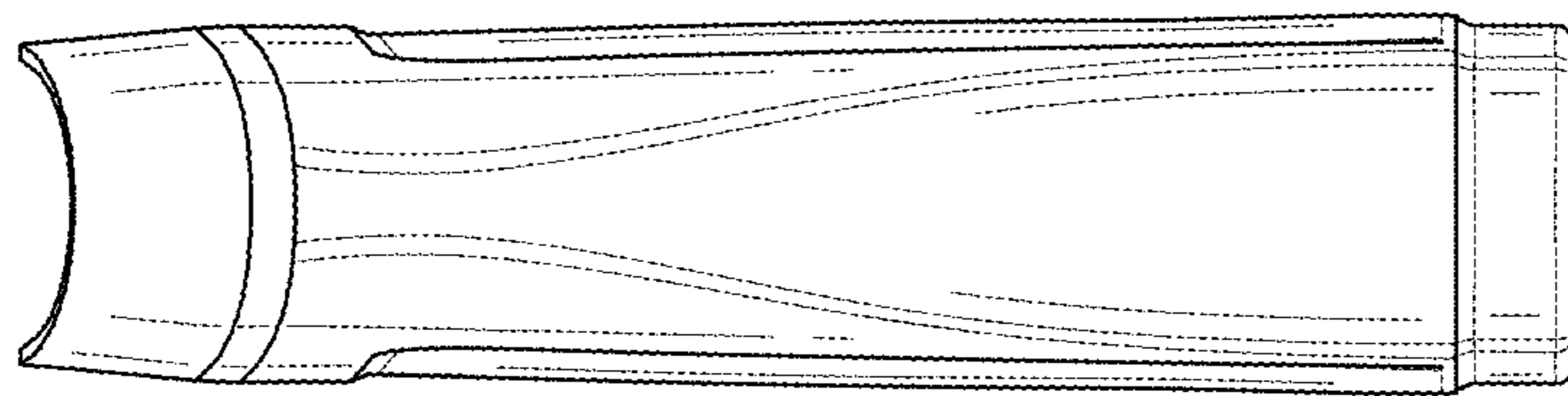


FIG. 4

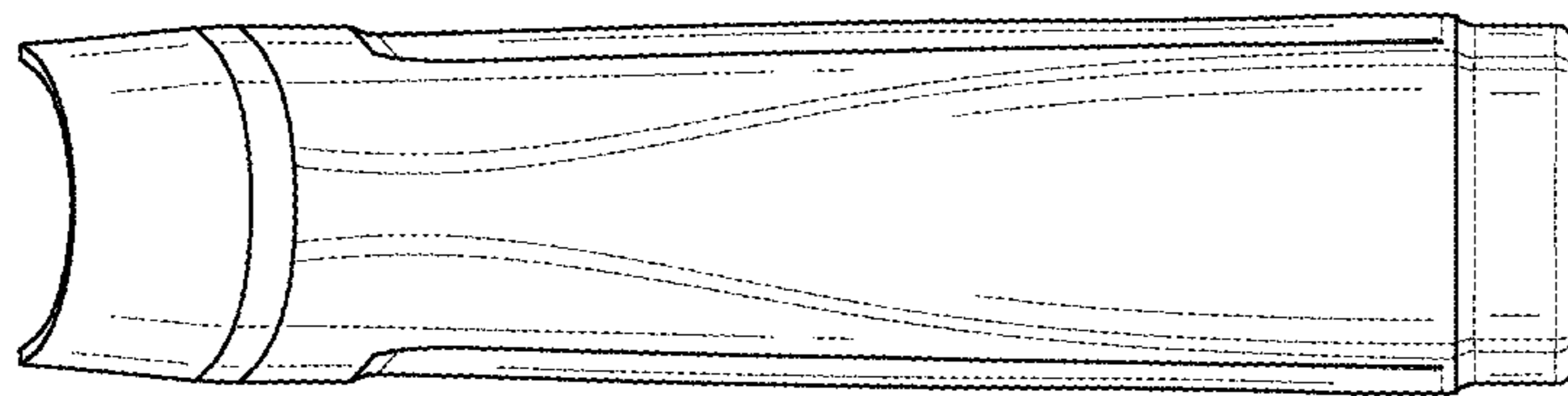


FIG. 5

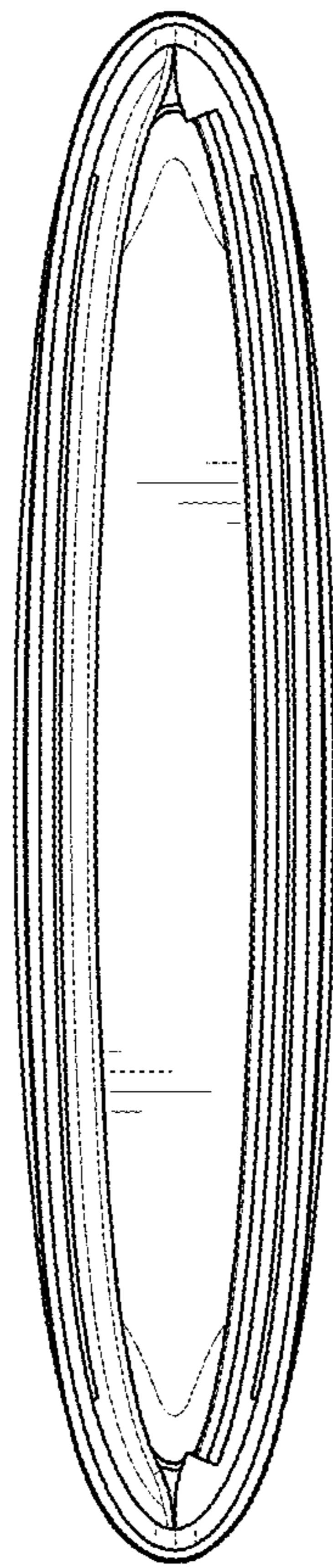


FIG.6

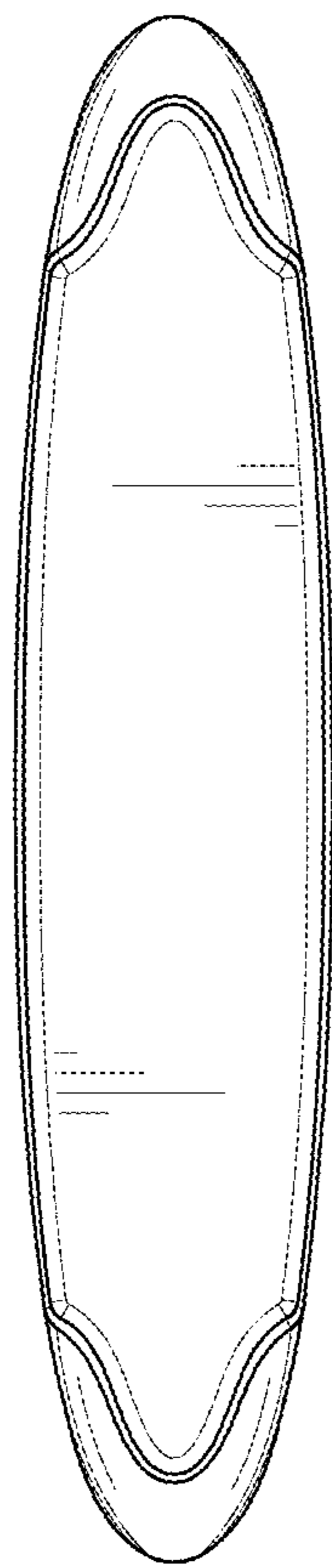


FIG. 7

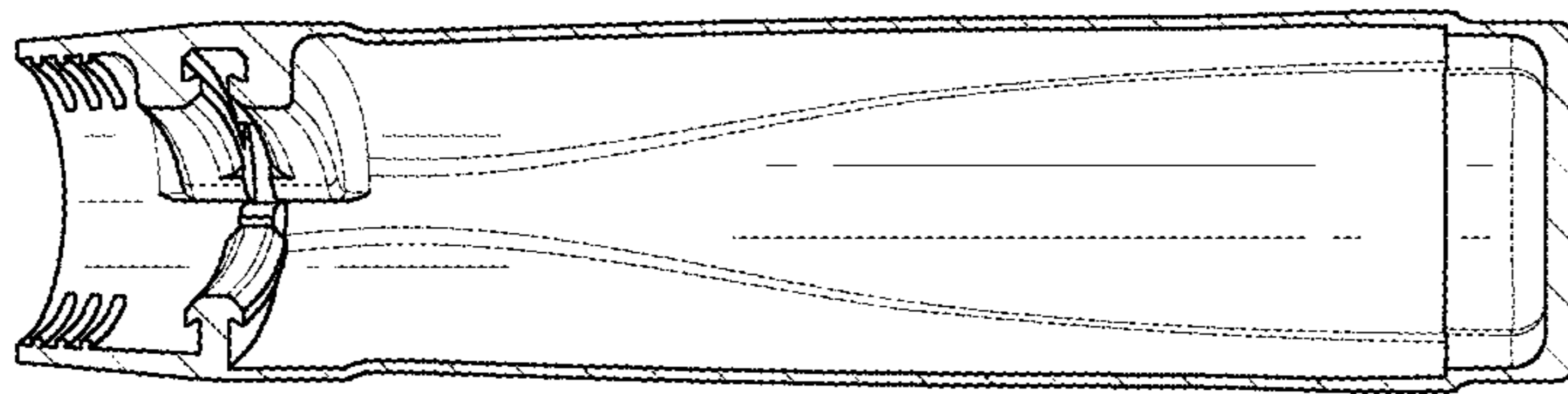


FIG. 8