



US00D919439S

(12) **United States Design Patent** (10) **Patent No.:** **US D919,439 S**
Blomberg et al. (45) **Date of Patent:** **** May 18, 2021**

(54) **LOCKABLE BAG**

(56) **References Cited**

(71) Applicant: **POLLEN GEAR LLC**, Hermosa Beach, CA (US)

U.S. PATENT DOCUMENTS

(72) Inventors: **Shane Grant Blomberg**, Hermosa Beach, CA (US); **Edward Kilduff**, Hermosa Beach, CA (US)

2,942,450 A 6/1960 Krug
4,008,914 A 2/1977 Anderson
D388,250 S 12/1997 Robinson et al.
5,851,071 A 12/1998 Arnell
D411,764 S 7/1999 Vazquez
6,074,094 A 6/2000 Manolizi et al.
6,481,890 B1 11/2002 VandenHeuvel
D502,390 S 3/2005 Ouchi
7,029,178 B2 4/2006 Gzybowski
7,090,397 B2 8/2006 Stolmeier
7,213,303 B1 5/2007 Savicki
7,255,477 B2 8/2007 Arnell

(73) Assignee: **POLLEN GEAR LLC**, Hermosa Beach, CA (US)

(**) Term: **15 Years**

(Continued)

(21) Appl. No.: **29/684,000**

Primary Examiner — Abraham Bahta

(22) Filed: **Mar. 18, 2019**

(74) *Attorney, Agent, or Firm* — RMCK Law Group PLC

Related U.S. Application Data

(63) Continuation of application No. 29/589,025, filed on Dec. 27, 2016, now Pat. No. Des. 843,225, which is a continuation-in-part of application No. 29/584,576, filed on Nov. 15, 2016, now Pat. No. Des. 807,197.

(57) **CLAIM**

The ornamental design for lockable bag, as shown and described.

(51) **LOC (13) Cl.** **09-05**

DESCRIPTION

(52) **U.S. Cl.**
USPC **D9/705**

(58) **Field of Classification Search**
USPC D9/702–714, 720–722, 435, 415–416, D9/430–433; 383/104, 120–121, 107, 383/114, 61.1, 61.2, 64, 103, 210.1, 66, 383/62; 229/200, 201, 125.15, 213, 80; 222/107; D3/303, 273, 232, 203.1; 426/106; 206/541, 223, 524.8; 220/495.03; 53/456, 459, 405; 283/81, 283/100–101; 428/34.3; 493/212–213, 493/186; 24/415, 585.12, DIG. 11, 24/30.5 R, 30.5 L, 585.1, 399, 387
CPC .. B65D 33/00; B65D 33/16; B65D 33/24–25; B65D 33/2583; B65D 33/2591; A44B 19/16

FIG. 1 is a front perspective view of a lockable bag in an unlocked condition in accordance with another aspect of the present teachings.

FIG. 2 is a rear perspective view of the lockable bag of FIG. 1.

FIG. 3 is a front view of the lockable bag of FIG. 1.

FIG. 4 is a rear view of the lockable bag of FIG. 1.

FIG. 5 is a first side view of the lockable bag of FIG. 1.

FIG. 6 is a second side view of the lockable bag of FIG. 1.

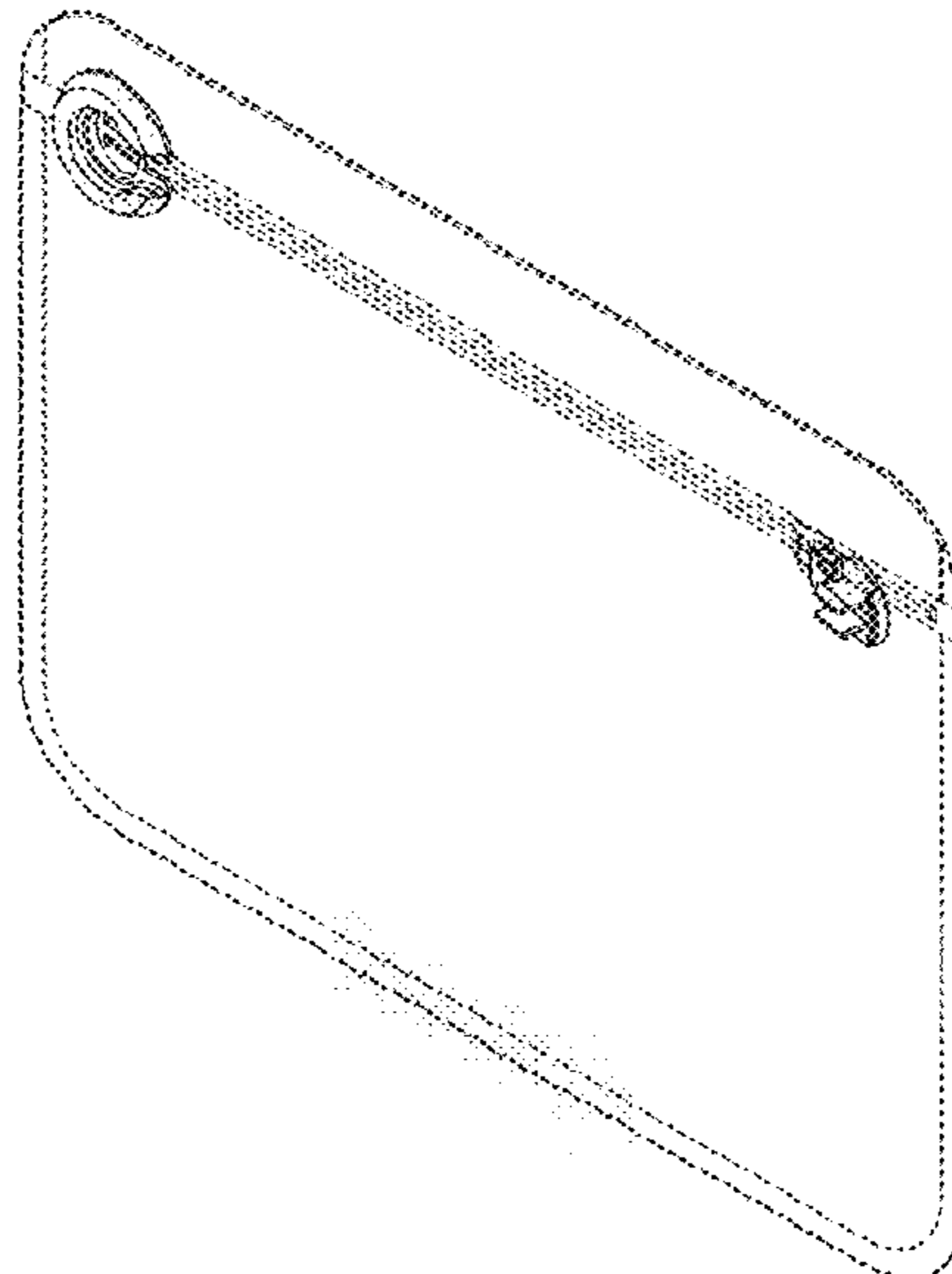
FIG. 7 is a top view of the lockable bag of FIG. 1; and,

FIG. 8 is a bottom view of the lockable bag of FIG. 1.

Any portion of the lockable bag shown in broken lines is for the purpose of illustrating environment structure and forms no part of the claimed design.

See application file for complete search history.

1 Claim, 6 Drawing Sheets



(56)

References Cited

U.S. PATENT DOCUMENTS

7,481,580	B2	1/2009	Schreiter	
7,494,280	B2	2/2009	Gzybowski	
D597,416	S	8/2009	Berman	
D597,854	S	8/2009	Berman	
7,600,300	B2	10/2009	Russell et al.	
7,670,052	B2	3/2010	Chaturvedi	
D629,204	S	12/2010	Spira	
D702,043	S	4/2014	Johnson et al.	
D709,700	S	7/2014	Nunez et al.	
D710,212	S	8/2014	Coleman	
D713,644	S	9/2014	Johnson et al.	
D730,745	S	6/2015	Cowan-Hughes et al.	
9,321,560	B2	4/2016	Dowler et al.	
D816,988	S	5/2018	McLauchlin	
D819,332	S *	6/2018	Simpson	D3/301
D856,157	S *	8/2019	Vieira	D9/709
2012/0017402	A1	1/2012	Feinberg	

* cited by examiner

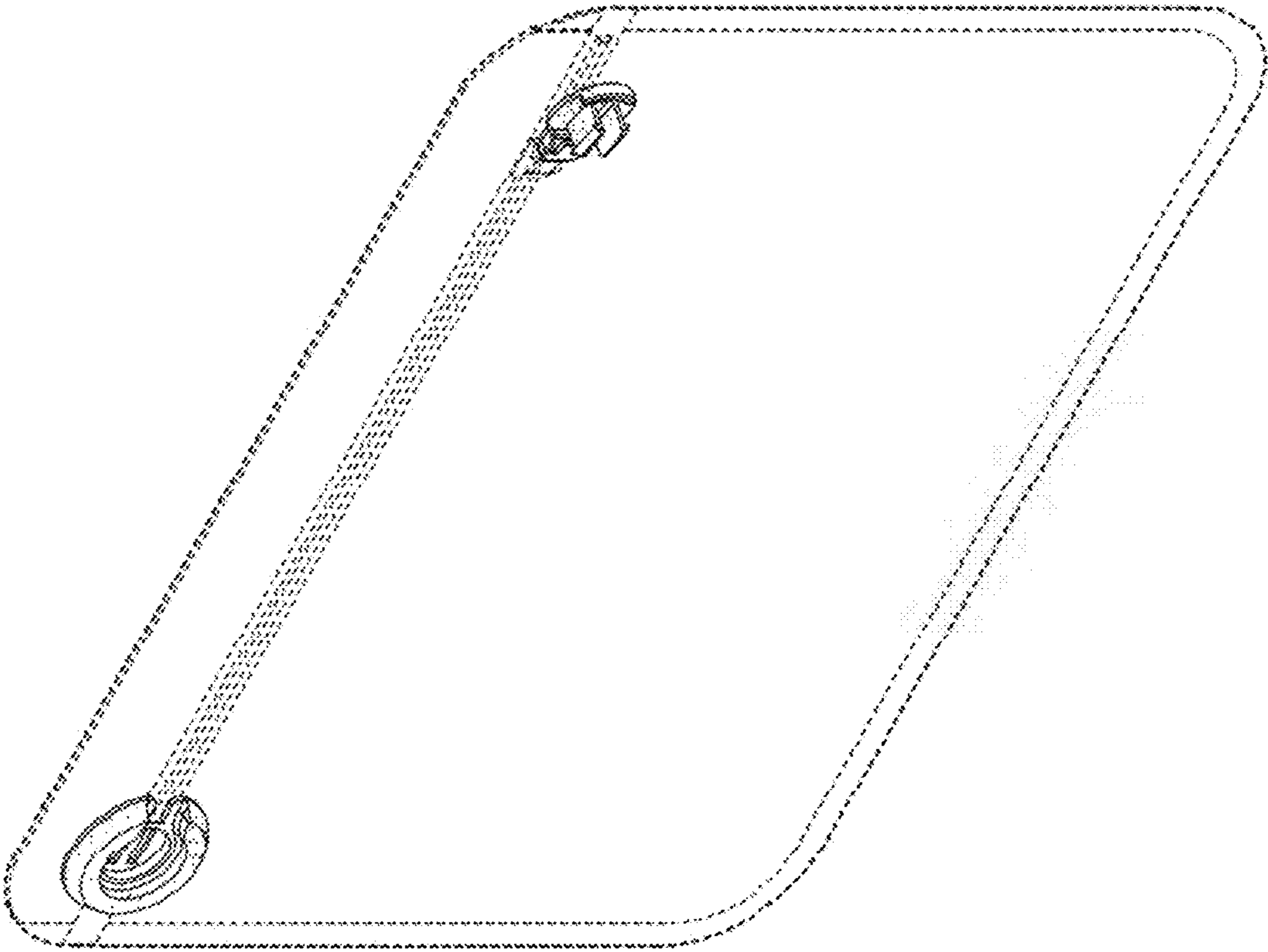


FIG. 1

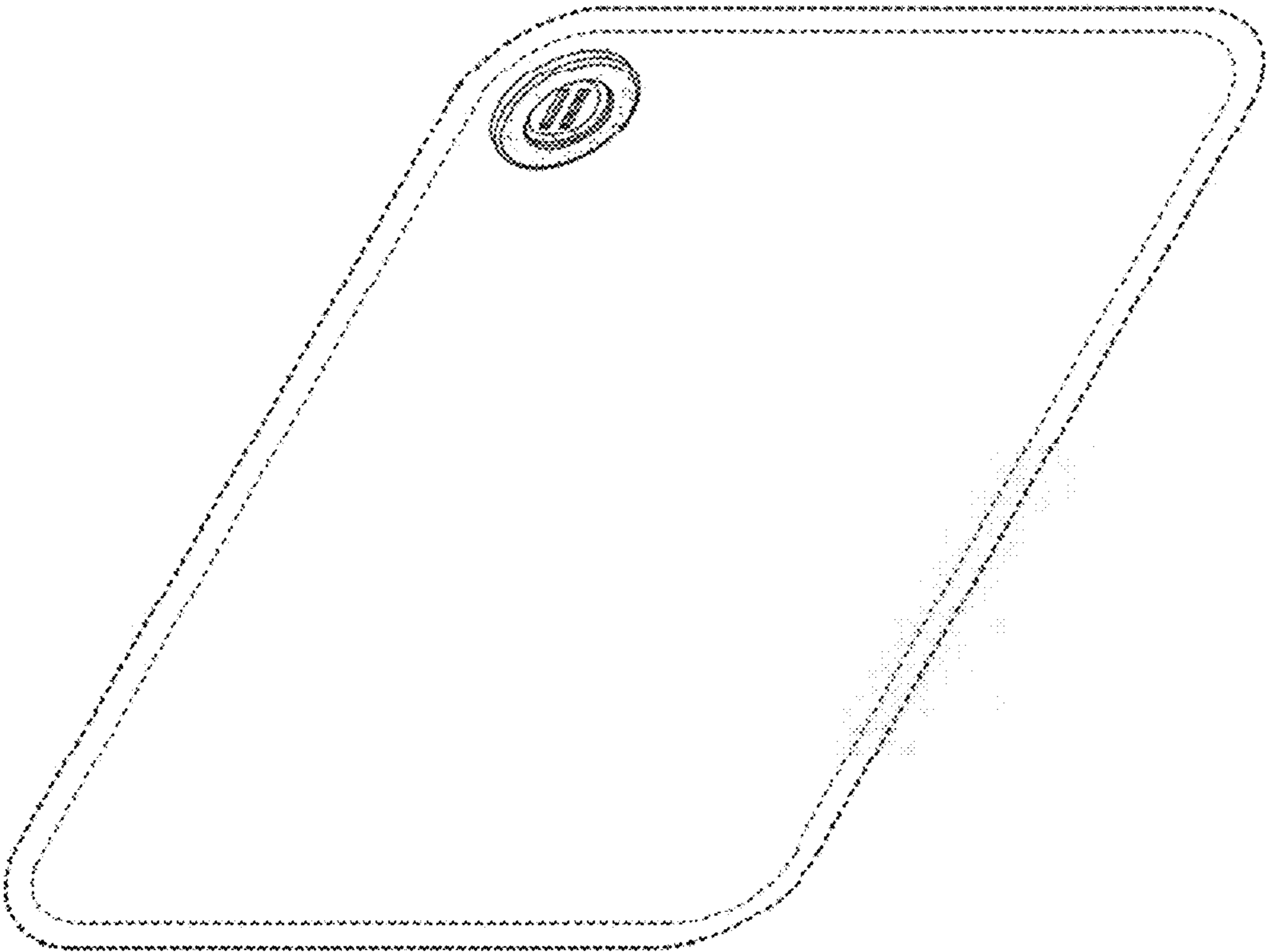


FIG. 2

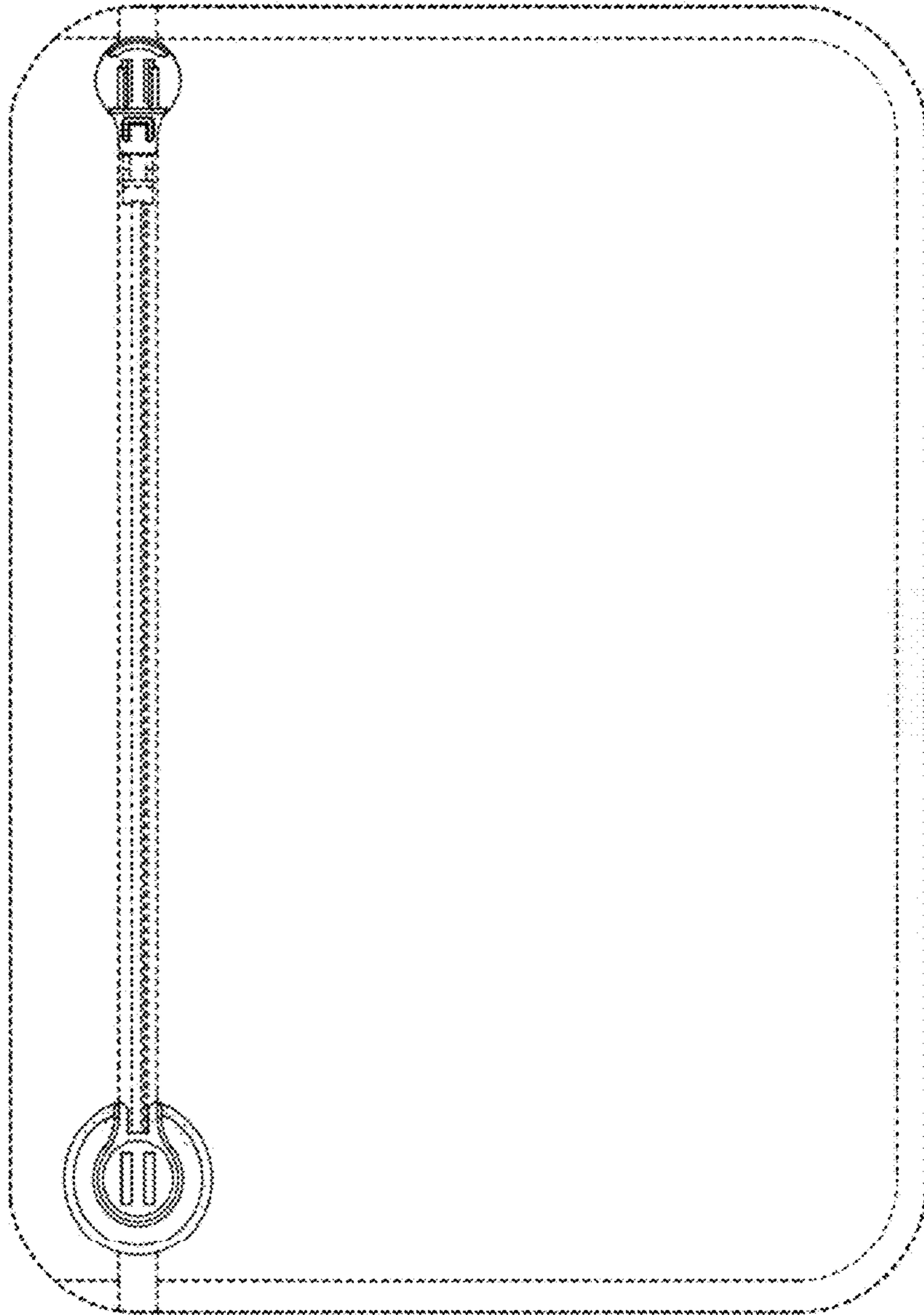


FIG. 3

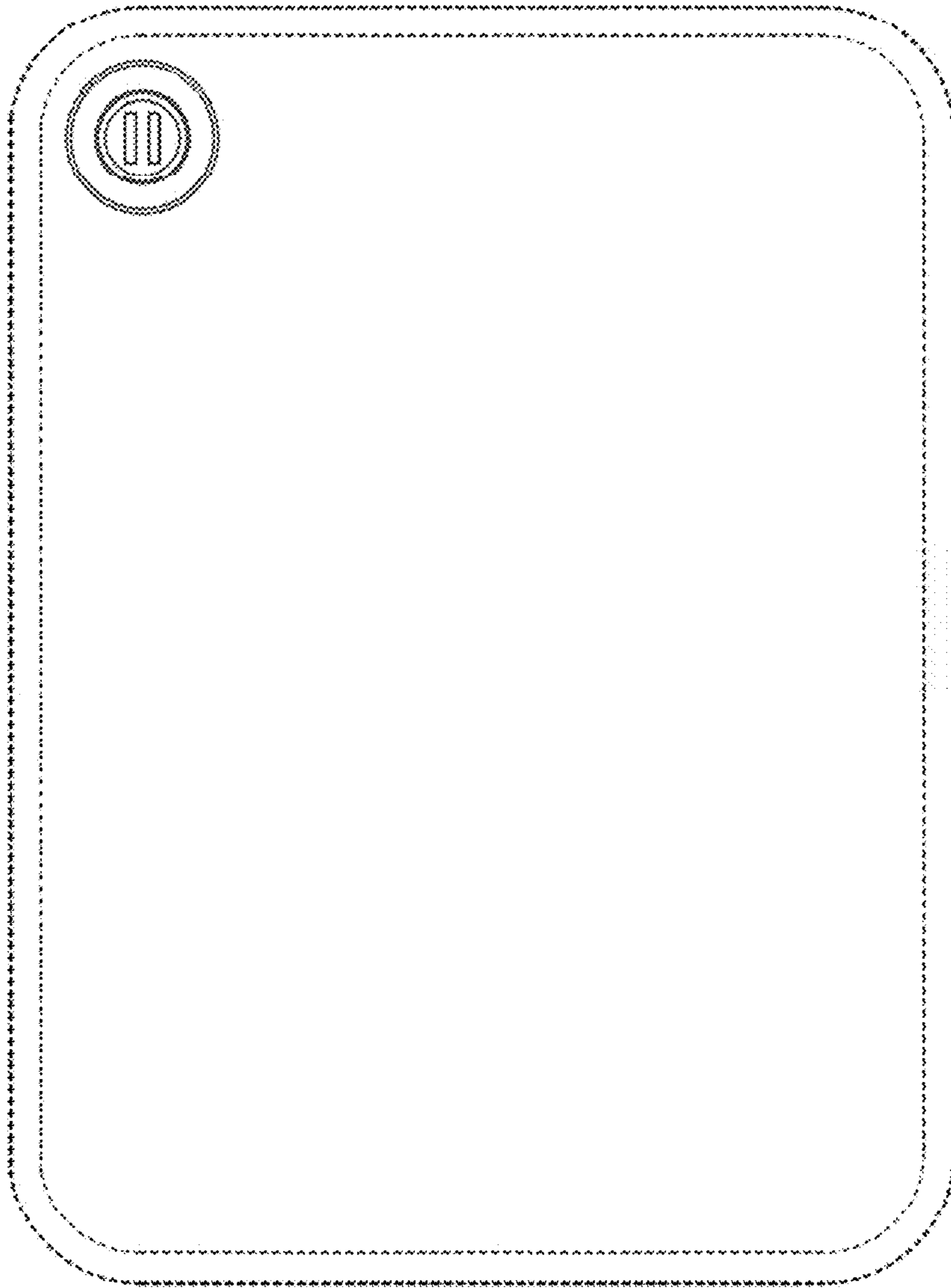


FIG. 4



FIG. 6



FIG. 5

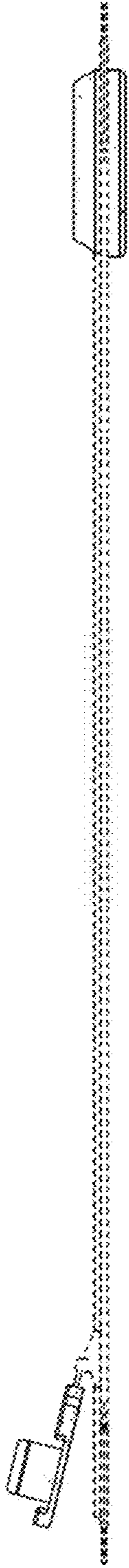


FIG. 7

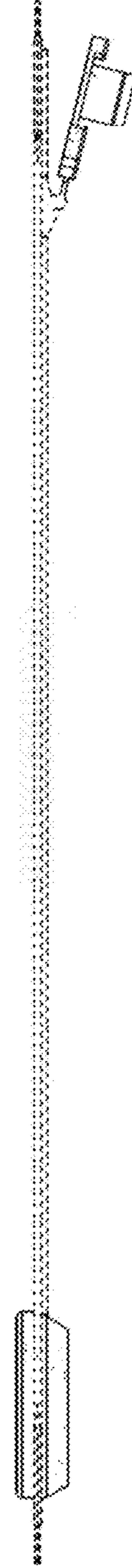


FIG. 8