



US00D919434S

(12) **United States Design Patent**
Carlson

(10) **Patent No.:** **US D919,434 S**

(45) **Date of Patent:** **** May 18, 2021**

(54) **INTERLOCKING JUG ASSEMBLY**

D654,796 S * 2/2012 Wurth D9/528

D883,790 S * 5/2020 Garcia de Alba Morales
D9/528

(71) Applicant: **Don Carlson**, Joliet, IL (US)

* cited by examiner

(72) Inventor: **Don Carlson**, Joliet, IL (US)

Primary Examiner — Abraham Bahta

(**) Term: **15 Years**

(74) *Attorney, Agent, or Firm* — Quarles & Brady LLP

(21) Appl. No.: **29/759,831**

(22) Filed: **Nov. 25, 2020**

(57) **CLAIM**

(51) **LOC (13) Cl.** **09-01**

The ornamental design for an interlocking jug assembly, as shown and described.

(52) **U.S. Cl.**

USPC **D9/522**

(58) **Field of Classification Search**

DESCRIPTION

USPC D9/702-714, 720-722, 414, 434-435,
D9/696, 716, 771, 447, 516-517,
D9/738-747, 544, 520-522; D24/118,
D24/207, 108; 383/6, 9, 22, 96, 61.1,
383/80-81, 104, 901, 63, 203, 107,
383/119-120, 123, 61.2, 44; 220/675,
220/495.03; 215/381-385, 400, 328, 316;
206/484; D3/202; 428/34.3; 222/92,
222/215, 95, 107; 604/408, 403, 415
CPC ... B65D 1/00; B65D 1/02; B65D 1/09; B65D
1/10; B65D 1/32; B65D 1/0223; B65D
1/0261; B65D 1/0284; B65D 1/44; B65D
37/00; B65D 77/06; B65D 23/00; B65D
23/10; B65D 23/102; B65D 2501/00;
B65D 2501/0009; B65D 2501/081

See application file for complete search history.

FIG. 1 is an elevational side view of the top and two sides of an ornamental design for an interlocking jug assembly; FIG. 2 is a side view of the interlocking jug assembly of FIG. 1; FIG. 3 is a different side view of the interlocking jug assembly of FIG. 1; FIG. 4 is still another side view of the interlocking jug assembly of FIG. 1; FIG. 5 is yet another side view of the interlocking jug assembly of FIG. 1; FIG. 6 is a top view of the interlocking jug assembly of FIG. 1; and, FIG. 7 is a bottom view of the interlocking jug assembly of FIG. 1.

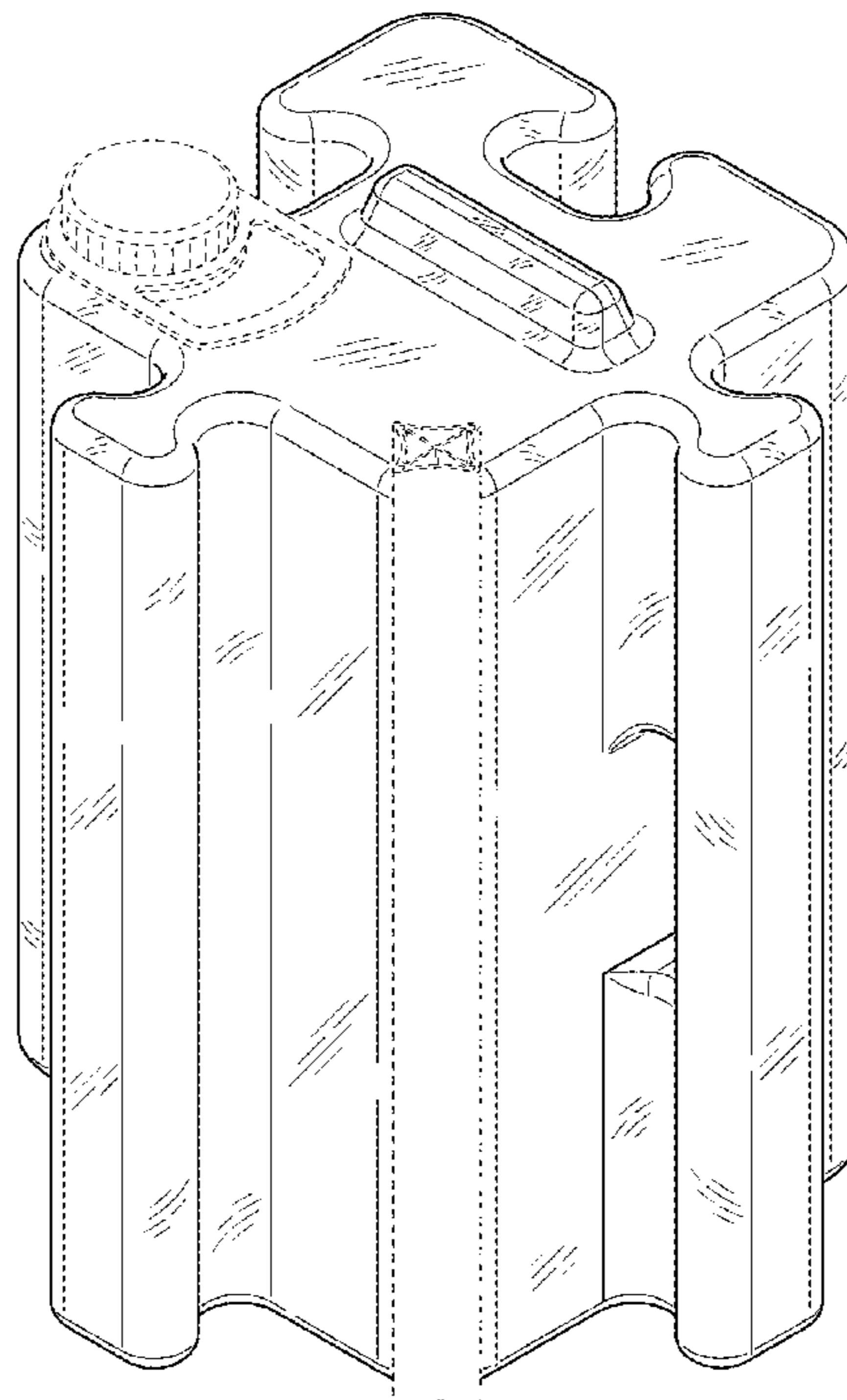
The dash-dash-dash lines illustrate unclaimed subject matter and form no part of the claimed design. The oblique shade lines represent transparent or translucent surfaces.

(56) **References Cited**

U.S. PATENT DOCUMENTS

D210,569 S * 3/1968 Kelly D9/528

1 Claim, 4 Drawing Sheets



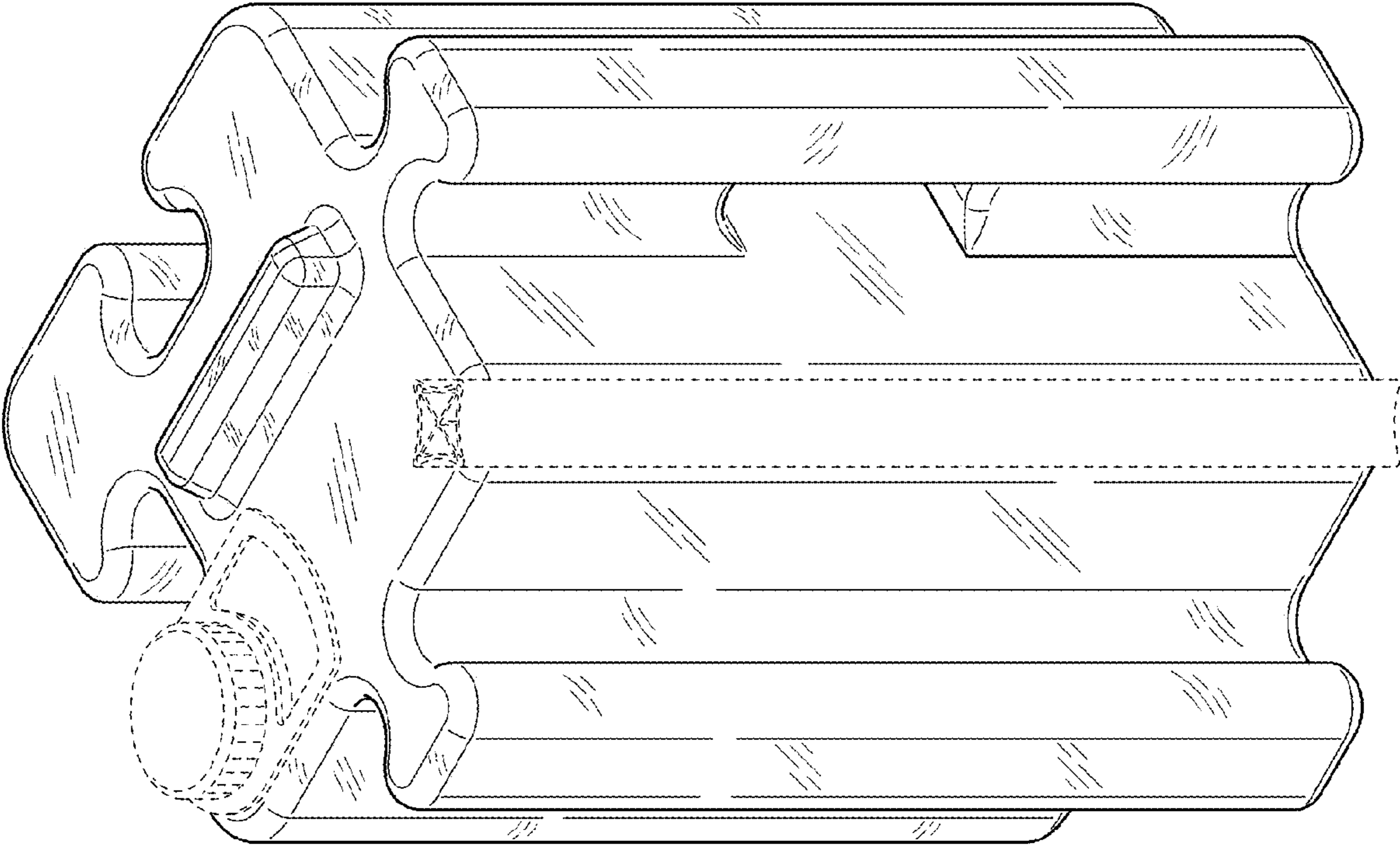


FIG. 1

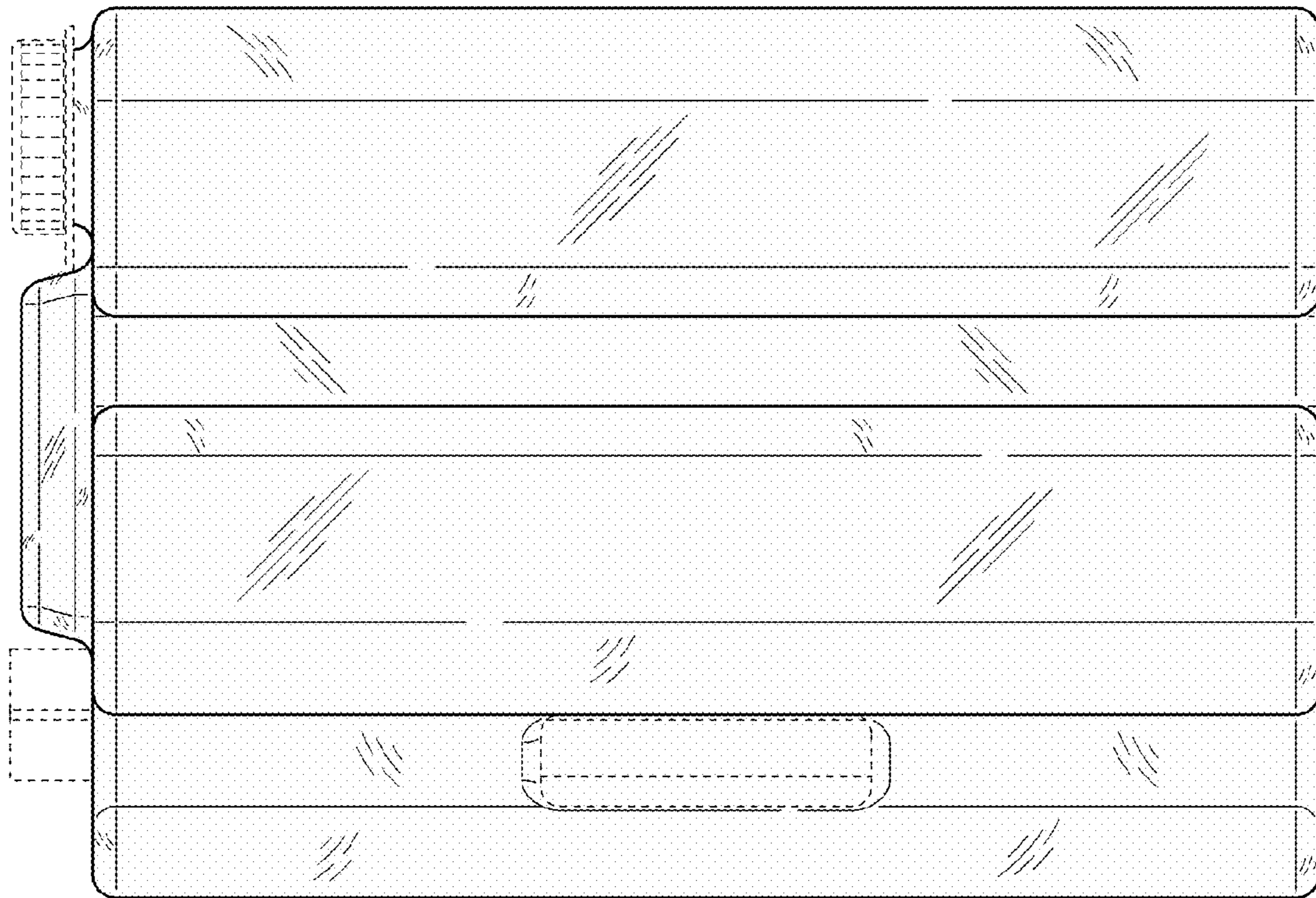


FIG. 3

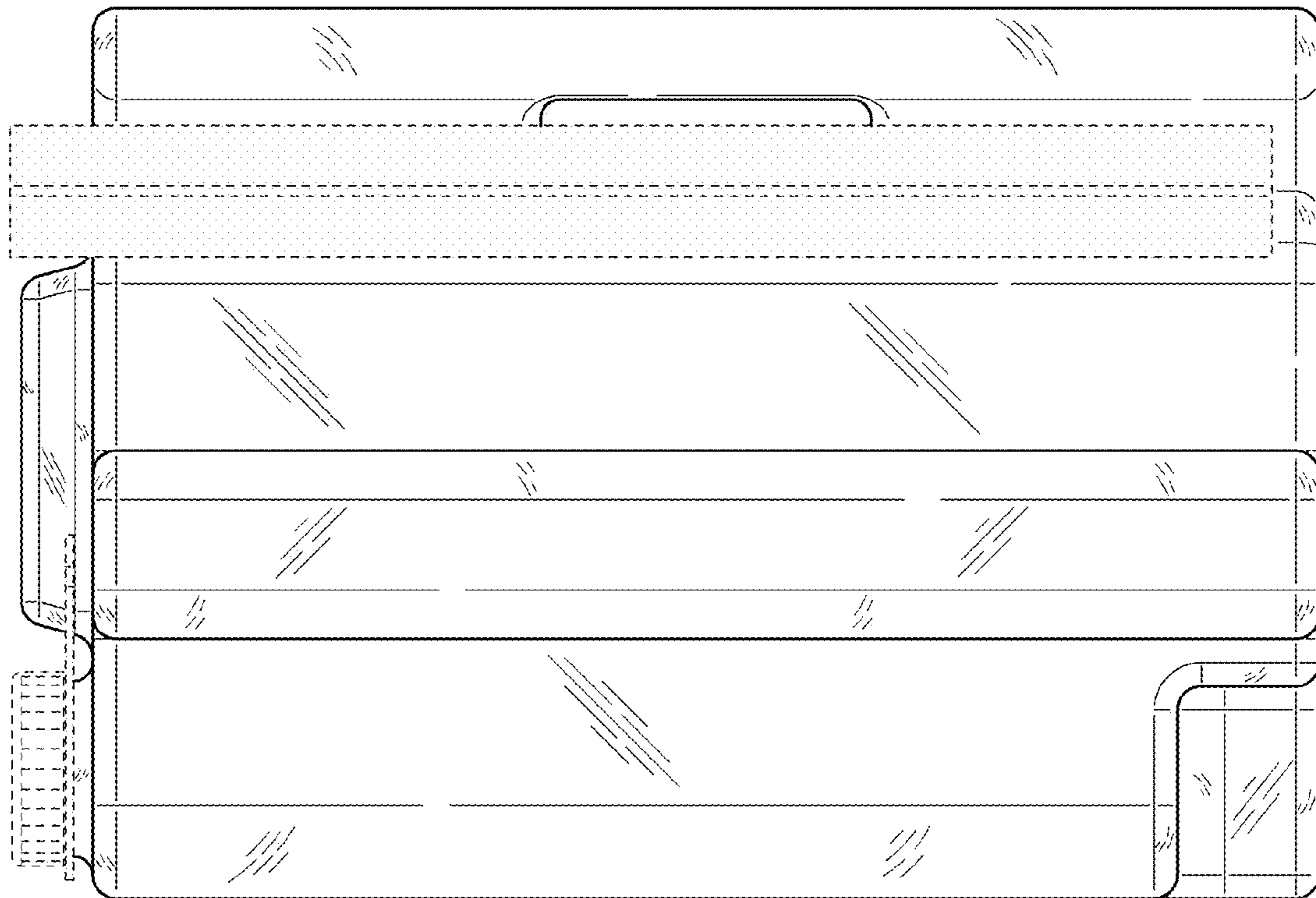


FIG. 2



FIG. 5

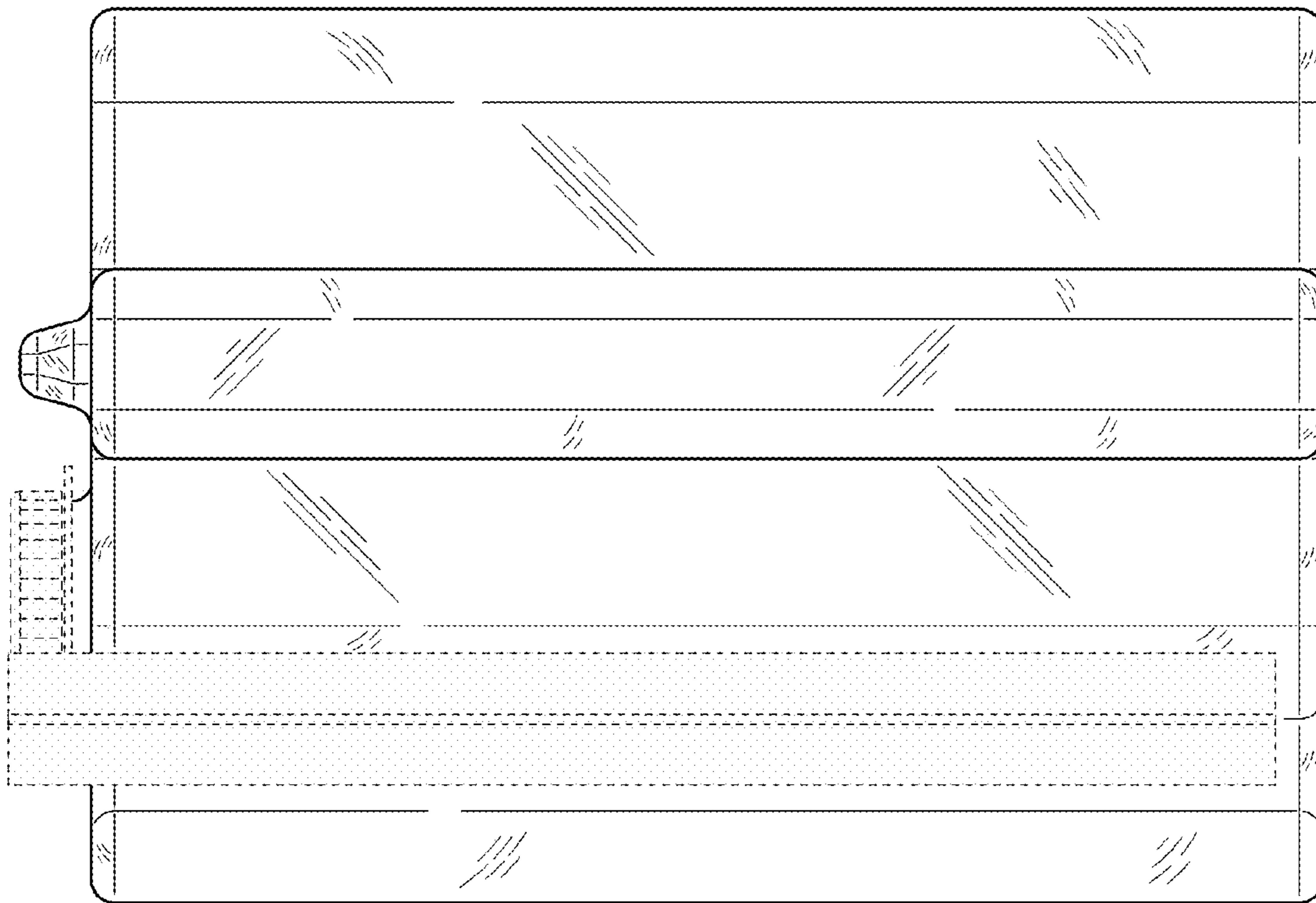


FIG. 4

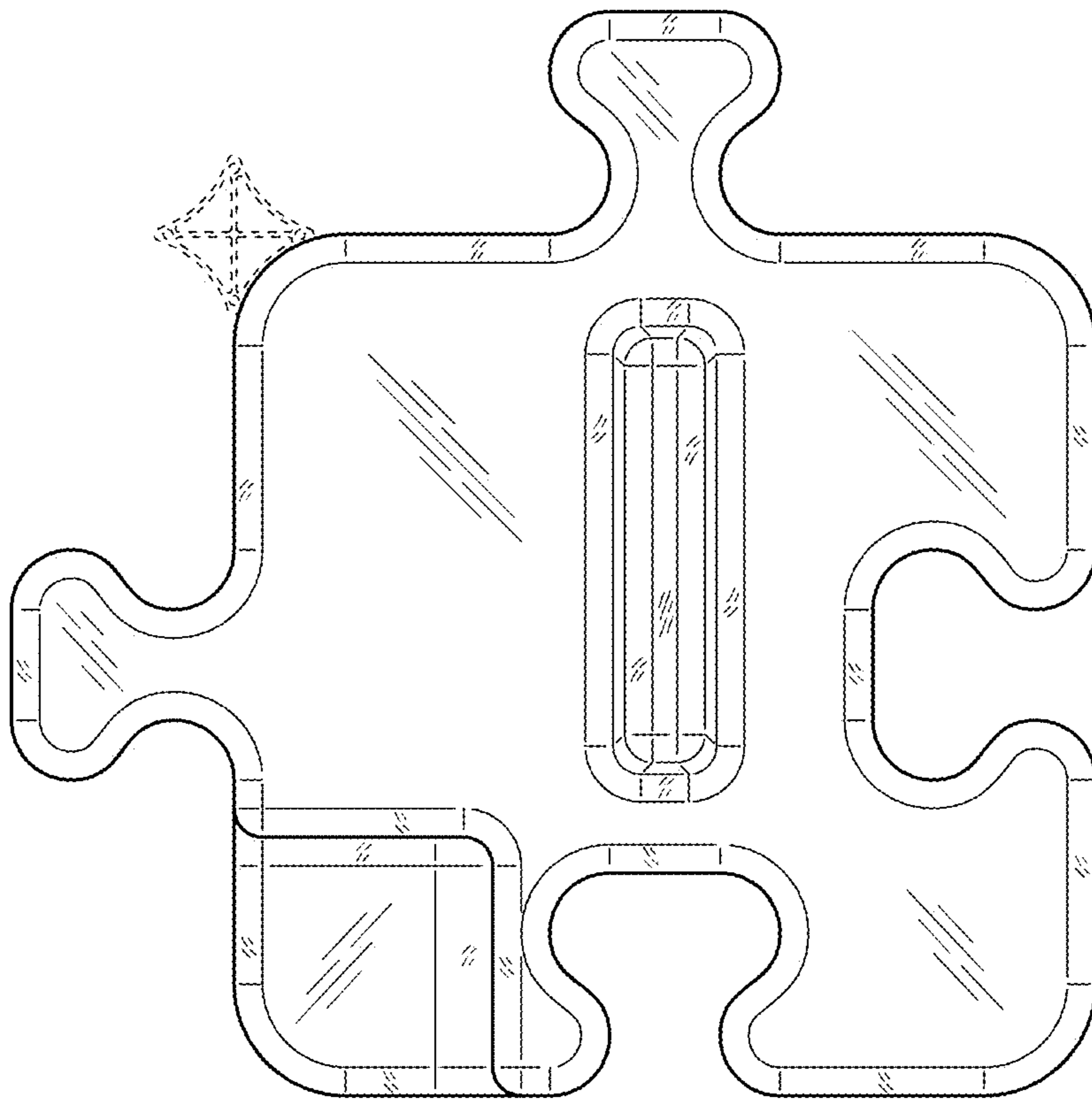


FIG. 7

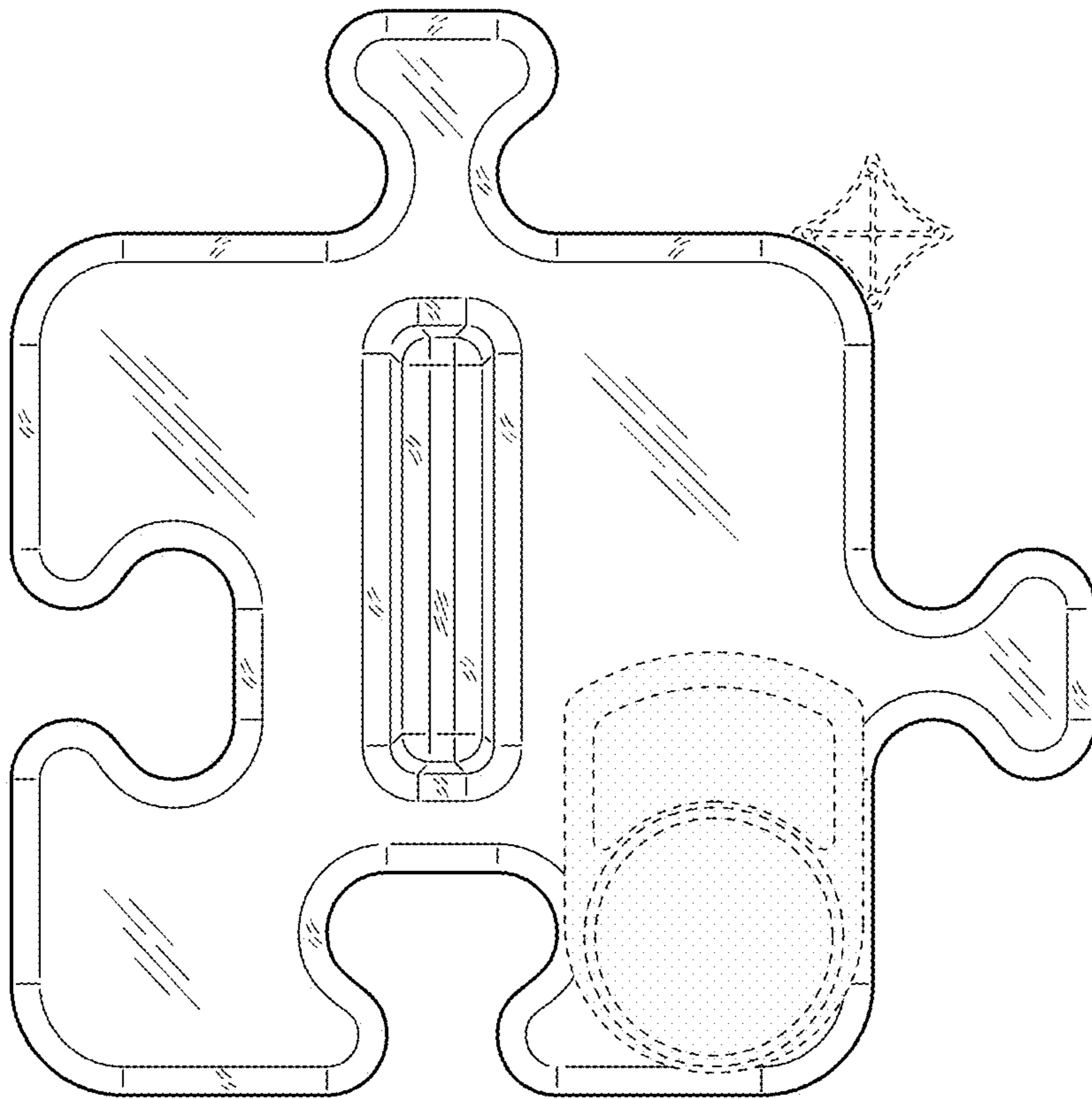


FIG. 6