



US00D919432S

(12) **United States Design Patent**  
**Muse et al.**

(10) **Patent No.:** **US D919,432 S**

(45) **Date of Patent:** **\*\* May 18, 2021**

(54) **MECHANICALLY SECURED BOX**

(71) Applicant: **Pratt Corrugated Holdings, Inc.**,  
Conyers, GA (US)

(72) Inventors: **John Richard Muse**, Douglasville, GA  
(US); **Shifeng Chen**, Newport News,  
VA (US)

(73) Assignee: **Pratt Corrugated Holdings, Inc.**,  
Conyers, GA (US)

(\*\*) Term: **15 Years**

(21) Appl. No.: **29/718,113**

(22) Filed: **Dec. 20, 2019**

**Related U.S. Application Data**

(63) Continuation of application No. 29/646,433, filed on  
May 4, 2018, now Pat. No. Des. 874,268.

(51) **LOC (13) Cl.** ..... **09-03**

(52) **U.S. Cl.**  
USPC ..... **D9/432; D9/433**

(58) **Field of Classification Search**  
USPC ..... D9/414-423, 430-433, 434, 456, 457,  
D9/711, 713, 721-722, 737-756, 758,  
D9/759, 760; D20/10, 22, 27, 40, 42  
CPC ... B65D 5/00; B65D 5/02; B65D 5/18; B65D  
5/20; B65F 5/00

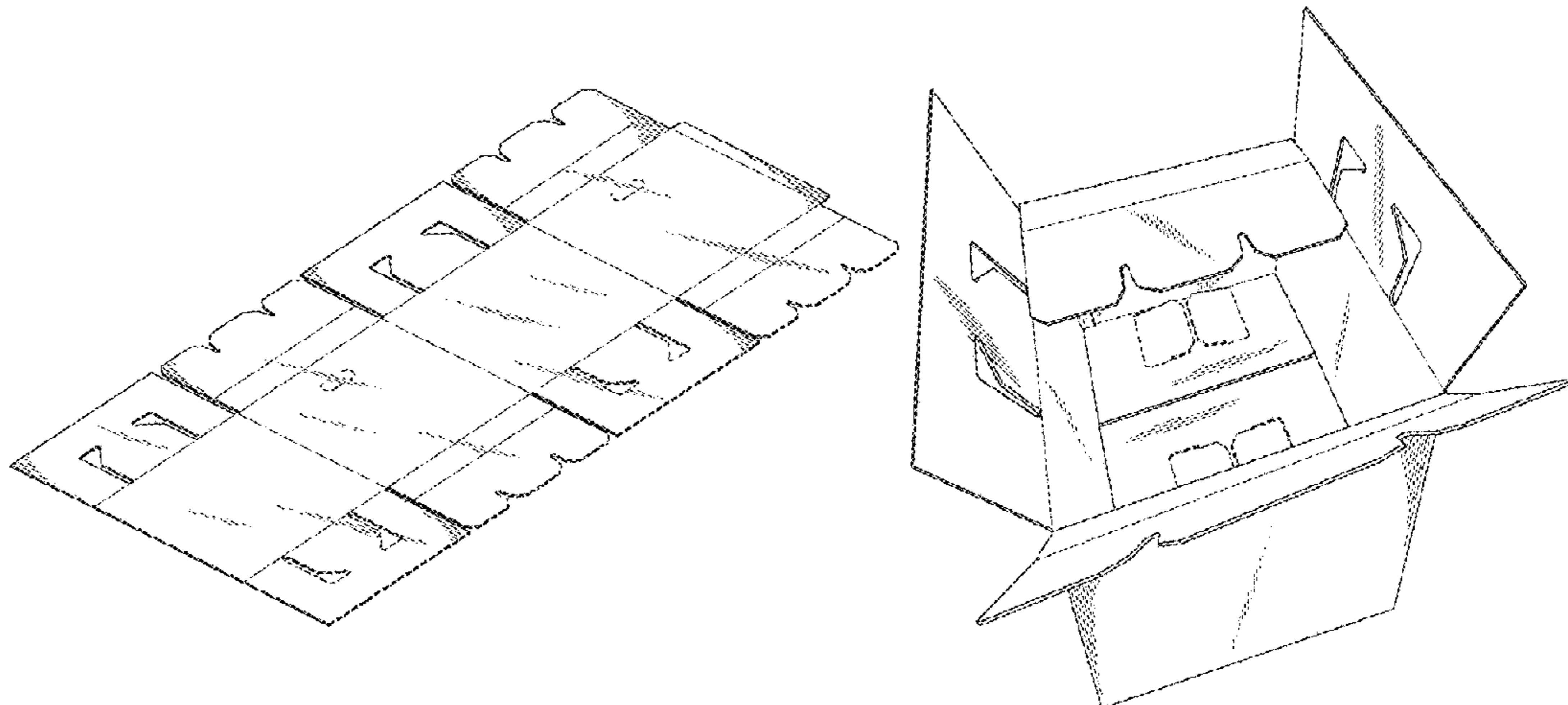
See application file for complete search history.

(56) **References Cited**

**U.S. PATENT DOCUMENTS**

265,985 A	10/1882	Seabury
1,701,323 A	2/1929	Fredenhagen
1,868,996 A	7/1932	Sharp
2,053,857 A	9/1936	Weiss
2,151,733 A	3/1939	Bonfield
2,386,905 A	10/1945	Meitzen
2,389,601 A	11/1945	De Witt
2,554,004 A	5/1951	Bergstein
2,899,103 A	8/1959	Ebert
2,927,720 A	3/1960	Adams

2,934,251 A	4/1960	Kramer	
2,969,164 A	1/1961	Morrison	
3,096,879 A	7/1963	Schumacher	
3,097,782 A	7/1963	Koropatkin et al.	
3,182,913 A	5/1965	Brian	
3,222,843 A	12/1965	Schneider	
3,552,466 A	1/1971	Fairchilds	
3,734,336 A	5/1973	Rankow et al.	
3,854,650 A	12/1974	Hanaue	
4,030,227 A	6/1977	Oftedahl	
4,049,188 A	9/1977	Persson	
4,068,779 A	1/1978	Canfield	
4,091,852 A	5/1978	Jordan et al.	
4,294,079 A	10/1981	Benson	
4,319,710 A *	3/1982	Osborne	B65D 5/2014 229/117.16
4,399,157 A	8/1983	Caporaso	
4,418,864 A	12/1983	Neilsen	
4,434,890 A	3/1984	Sieck et al.	
4,444,821 A	4/1984	Young et al.	
4,488,623 A	12/1984	Linnell, II et al.	
4,509,645 A	4/1985	Hotta	
4,650,112 A	3/1987	Booth	
4,884,741 A	12/1989	Nederveld	
4,953,782 A	9/1990	Noland	
5,016,813 A	5/1991	Simons	
5,022,582 A	6/1991	Ritter	
5,062,527 A	11/1991	Westerman	
5,104,035 A	4/1992	Rosenbaum, II	
5,154,309 A	10/1992	Wischusen, III et al.	
5,165,583 A	11/1992	Kouwenberg	
5,263,339 A	11/1993	Evans	
5,289,970 A *	3/1994	McClure	B65D 5/0045 229/143
5,289,971 A *	3/1994	McClure	B65D 5/22 229/127
5,418,031 A	5/1995	English	
5,441,170 A	8/1995	Bane, III	
5,493,874 A	2/1996	Landgrebe	
5,499,473 A	3/1996	Ramberg	
5,596,880 A	1/1997	Welker et al.	
5,996,366 A	12/1999	Renard	
6,003,719 A	12/1999	Steward, III	
6,135,347 A *	10/2000	Mueller	B65D 5/0227 206/232
6,164,526 A	12/2000	Dalvey	
6,168,040 B1	1/2001	Sautner et al.	
6,220,473 B1	4/2001	Lehman et al.	
6,238,091 B1	5/2001	Mogil	
6,244,458 B1	6/2001	Frysinger et al.	
6,247,328 B1	6/2001	Mogil	
6,325,281 B1	12/2001	Grogan	
6,325,282 B1	12/2001	Kanter et al.	





# US D919,432 S

6,343,696 B1	2/2002	McCormick et al.	2004/0211825 A1	10/2004	Champion et al.
6,378,733 B1	4/2002	Boonzaier	2005/0006446 A1	1/2005	Stafford, Jr.
6,453,682 B1	9/2002	Jennings et al.	2005/0159282 A1	7/2005	Schoenberger et al.
6,478,268 B1	11/2002	Bidwell et al.	2005/0163947 A1	7/2005	Miller
6,510,705 B1	1/2003	Jackson	2005/0178142 A1	8/2005	Perry et al.
6,582,124 B2	6/2003	Mogil	2005/0224501 A1	10/2005	Folkert et al.
6,618,868 B2	9/2003	Minnick	2005/0241978 A1	11/2005	Plue et al.
6,688,133 B1	2/2004	Donefrio	2006/0003057 A1	1/2006	Kelly et al.
6,725,783 B2	4/2004	Sekino	2006/0053828 A1	3/2006	Shallman et al.
6,736,309 B1	5/2004	Westerman et al.	2006/0163333 A1	7/2006	Kornacki
6,771,183 B2	8/2004	Hunter	2006/0174648 A1	8/2006	Lantz
6,821,019 B2	11/2004	Mogil	2007/0051782 A1	3/2007	Lantz
6,837,420 B2	1/2005	Westerman et al.	2007/0051783 A1	3/2007	Wisecarver
6,868,982 B2	3/2005	Gordon	2007/0152027 A1	7/2007	Hyatt et al.
6,875,486 B2	4/2005	Miller	2008/0078819 A1	4/2008	Strong et al.
6,899,229 B2	5/2005	Dennison et al.	2008/0095959 A1	4/2008	Warner et al.
6,910,582 B2	6/2005	Lantz	2008/0099492 A1	5/2008	Mayer
6,971,539 B1	12/2005	Abbe	2008/0289302 A1	11/2008	Vulpitta
D514,928 S	2/2006	Keberlein	2008/0296356 A1	12/2008	Hatcher et al.
7,000,962 B2	2/2006	Le	2009/0078708 A1	3/2009	Williams
7,083,147 B2	8/2006	Movsesian et al.	2009/0193765 A1	8/2009	Lantz
7,094,192 B2	8/2006	Schoenberger et al.	2009/0283578 A1	11/2009	Miller
D542,129 S	5/2007	Moorman	2010/0072105 A1	3/2010	Glaser et al.
7,225,970 B2	6/2007	Philips	2010/0139878 A1	6/2010	Clemente
7,229,677 B2	6/2007	Miller	2010/0314397 A1	12/2010	Williams et al.
D552,988 S *	10/2007	Kisch ..... D9/756	2011/0042449 A1	2/2011	Copenhaver et al.
7,392,931 B2	7/2008	Issler	2011/0100868 A1	5/2011	Lantz
7,422,143 B2	9/2008	Mayer	2011/0114513 A1	5/2011	Miller
7,452,316 B2	11/2008	Cals et al.	2011/0127272 A1	6/2011	Crespo et al.
D582,676 S	12/2008	Rothschild	2011/0241514 A1	10/2011	Nomura et al.
7,500,593 B2	3/2009	Mayer	2011/0284556 A1	11/2011	Palmer et al.
7,597,209 B2	10/2009	Rothschild et al.	2011/0311758 A1	12/2011	Burns et al.
7,624,911 B2	12/2009	Spurrell et al.	2012/0145568 A1	6/2012	Collison et al.
7,635,080 B2 *	12/2009	Conway ..... B65D 5/0025 229/169	2012/0248101 A1	10/2012	Tumber et al.
D608,634 S	1/2010	Riedi	2012/0251818 A1	10/2012	Axrup et al.
7,677,406 B2	3/2010	Maxson	2013/0094791 A1	4/2013	Aspenson et al.
7,681,405 B2	3/2010	Williams	2013/0055750 A1	5/2013	Mustafa et al.
7,807,773 B2	10/2010	Matsuoka et al.	2013/0112694 A1	5/2013	Bentley
7,841,512 B2	11/2010	Westerman et al.	2013/0112695 A1	5/2013	Hall
7,845,508 B2	12/2010	Rothschild et al.	2013/0140317 A1	6/2013	Roskoss
7,870,992 B2	1/2011	Schille et al.	2013/0291584 A1	11/2013	Chapman, Jr.
D651,076 S	12/2011	Van Berlo	2014/0000306 A1	1/2014	Chapman, Jr.
8,101,259 B2	1/2012	Kuboniwa	2014/0021208 A1	1/2014	Anti et al.
8,250,882 B2	8/2012	Mustafa et al.	2014/0144161 A1	5/2014	Pointer et al.
8,365,943 B2	2/2013	Bentley	2014/0151382 A1	6/2014	White et al.
8,424,335 B2	4/2013	Corder et al.	2014/0319018 A1	10/2014	Collison
8,453,477 B2	6/2013	Crespo et al.	2014/0353317 A1	12/2014	Ranade et al.
8,613,202 B2	12/2013	Williams	2014/0367393 A1	12/2014	Ranade
8,728,605 B2	5/2014	Payne et al.	2015/0068242 A1	3/2015	Patstone
8,763,423 B2	7/2014	Tattam	2016/0304267 A1	10/2016	Aksan
8,763,811 B2	7/2014	Lantz	2016/0325915 A1	11/2016	Aksan
8,763,886 B2	7/2014	Hall	2017/0225870 A1	8/2017	Collison
8,887,515 B2	11/2014	Patstone	2018/0086539 A1	3/2018	Aksan et al.
8,919,082 B1	12/2014	Cataldo	2018/0237207 A1	8/2018	Aksan et al.
8,938,986 B2	1/2015	Matta et al.	2019/0185248 A1	6/2019	Aksan et al.
9,242,758 B2	1/2016	Brundage et al.	2019/0193917 A1	6/2019	Aksan et al.
9,550,618 B1	1/2017	Jobe	2019/0270539 A1	9/2019	Muse et al.
9,605,382 B2	3/2017	Virtanen	2020/0270052 A1	8/2020	Aksan et al.
9,751,683 B1	9/2017	Jobe	2020/0407101 A1	12/2020	Muse et al.
9,981,797 B2	5/2018	Aksan et al.	2021/0061542 A1	3/2021	Aksan et al.
10,065,782 B1	9/2018	Jones et al.			
10,065,786 B2	9/2018	Kuhn			
10,106,290 B2	10/2018	Couture			
D834,411 S	11/2018	Vanderhulst et al.			
10,266,332 B2	4/2019	Aksan et al.			
10,472,122 B2 *	11/2019	Aguirre ..... B65D 5/445			
D874,268 S	2/2020	Muse et al.			
10,549,875 B2 *	2/2020	Spivey, Sr. .... B65D 5/46			
10,633,165 B2	4/2020	Aksan et al.			
10,752,425 B2	8/2020	Aksan et al.			
10,807,761 B2	10/2020	Muse et al.			
10,875,698 B2	12/2020	Aksan et al.			
2002/0050147 A1	5/2002	Mai et al.			
2002/0096559 A1	7/2002	Quaintance			
2004/0004111 A1	1/2004	Cardinale			
2004/0016212 A1	1/2004	Miller			
2004/0081727 A1	4/2004	Kelly et al.			
2004/0151851 A1	8/2004	Miller			

### FOREIGN PATENT DOCUMENTS

EP	2990196	3/2016
FR	3008685	7/2013
GB	1272730	5/1972
JP	2001018952	1/2001
JP	5661362	1/2015
WO	2016187435 A2	5/2016
WO	2016187435 A3	11/2016

### OTHER PUBLICATIONS

US 8,845,046 B2, 09/2014, Nomura et al. (withdrawn)  
 Aksan, Yavuz; Applicant-Initiated Interview Summary for U.S. Appl. No. 14/690,501, filed Apr. 20, 2015, dated Feb. 9, 2017, 7 pgs.  
 Aksan, Yavuz; Final Office Action for U.S. Appl. No. 14/690,501, filed Apr. 20, 2015, dated Dec. 8, 2016, 18 pgs.



Aksan, Yavuz; Issue Notification for U.S. Appl. No. 14/690,501, filed Apr. 20, 2015, dated May 9, 2018, 1 pg.

Aksan, Yavuz; Non-Final Office Action for U.S. Appl. No. 14/690,501, filed Apr. 20, 2015, dated Aug. 17, 2016; 22 pgs.

Aksan, Yavuz; Non-Final Office Action for U.S. Appl. No. 14/690,501, filed Apr. 20, 2015, dated Aug. 8, 2017, 18 pgs.

Aksan, Yavuz; Notice of Allowability for U.S. Appl. No. 14/690,501, filed Apr. 20, 2015, dated Mar. 28, 2018, 2 pgs.

Aksan, Yavuz; Notice of Allowability for U.S. Appl. No. 14/690,501, filed Apr. 20, 2015, dated Apr. 18, 2018, 6 pgs.

Aksan, Yavuz; Notice of Allowability for U.S. Appl. No. 14/690,501, filed Apr. 20, 2015, dated Apr. 26, 2018, 6 pgs.

Aksan, Yavuz; Notice of Allowance for U.S. Appl. No. 14/690,501, filed Apr. 20, 2015, filed Jan. 31, 2018, 14 pgs.

Aksan, Yavuz; Final Office Action for U.S. Appl. No. 15/954,677, filed Apr. 17, 2018, dated Nov. 8, 2019, 23 pgs.

Aksan, Yavuz; Non-Final Office Action for U.S. Appl. No. 15/954,677, filed Apr. 17, 2018, dated Jun. 13, 2019, 45 pgs.

Aksan, Yavuz; Applicant-Initiated Interview Summary for U.S. Appl. No. 16/280,609, filed Feb. 20, 2019, dated Oct. 4, 2019, 3 pgs.

Aksan, Yavuz; Final Office Action for U.S. Appl. No. 16/280,609, filed Feb. 20, 2019, dated Sep. 10, 2019, 18 pgs.

Aksan, Yavuz; Non-Final Office Action for U.S. Appl. No. 16/280,609, filed Feb. 20, 2019, dated Nov. 19, 2019, 14 pgs.

Aksan, Yavuz; Non-Final Office Action for U.S. Appl. No. 16/280,609, filed Feb. 20, 2019, dated Jun. 13, 2019, 28 pgs.

Aksan, Yavuz; Advisory Action for U.S. Appl. No. 14/703,094, filed May 4, 2015, dated Sep. 13, 2018, 3 pgs.

Aksan, Yavuz; Applicant-Initiated Interview Summary for U.S. Appl. No. 14/703,094, filed May 4, 2015, dated Jan. 16, 2019, 3 pgs.

Aksan, Yavuz; Final Office Action for U.S. Appl. No. 14/703,094, filed May 4, 2015, dated Jul. 10, 2018, 25 pgs.

Aksan, Yavuz; Issue Notification for U.S. Appl. No. 14/703,094, filed May 4, 2015, dated Apr. 3, 2019, 1 pg.

Aksan, Yavuz; Non-Final Office Action for U.S. Appl. No. 14/703,094, filed May 4, 2015, dated Oct. 30, 2018, 13 pgs.

Aksan, Yavuz; Non-Final Office Action for U.S. Appl. No. 14/703,904, filed May 4, 2015, dated Dec. 29, 2017, 39 pgs.

Aksan, Yavuz; Notice of Allowance for U.S. Appl. No. 14/703,094, filed May 4, 2015, dated Feb. 19, 2019, 13 pgs.

Aksan, Yavuz; Restriction Requirement for U.S. Appl. No. 14/703,904, filed May 4, 2015, dated Sep. 15, 2017, 7 pgs.

Aksan, Yavuz; Non-Final Office Action for U.S. Appl. No. 16/293,868, filed Mar. 6, 2019, dated Feb. 10, 2020, 38 pgs.

Aksan, Yavuz; Final Office Action for U.S. Appl. No. 15/809,072, filed Nov. 10, 2017, dated Jan. 31, 2020, 22 pgs.

Aksan, Yavuz; Non-Final Office Action for U.S. Appl. No. 15/809,072, filed Nov. 10, 2017, dated Aug. 6, 2019, 47 pgs.

Muse, John Richard; Advisory Action for U.S. Appl. No. 15/909,515, filed Mar. 1, 2018, dated Nov. 20, 2019, 3 pgs.

Muse, John Richard; Final Office Action for U.S. Appl. No. 15/909,515, filed Mar. 1, 2018, dated Sep. 19, 2019, 16 pgs.

Muse, John Richard; Non-Final Office Action for U.S. Appl. No. 15/909,515, filed Mar. 1, 2018, dated Jan. 3, 2020, 11 pgs.

Muse, John Richard; Non-Final Office Action for U.S. Appl. No. 15/909,515, filed Mar. 1, 2018, dated Mar. 18, 2019, 34 pgs.

Muse, John Richard; Corrected Notice of Allowance for U.S. Appl. No. 29/646,433, filed May 4, 2018, dated Dec. 9, 2019.

Muse, John Richard; Ex Parte Quayle Action for U.S. Appl. No. 29/646,433, filed May 4, 2018, mailed May 14, 2019, 32 pgs.

Muse, John Richard; Notice of Allowance for U.S. Appl. No. 29/646,433, filed May 4, 2018, dated Sep. 26, 2019, 14 pgs.

Greenblue; "Environmental Technical Briefs of Common Packaging Materials—Fiber-Based Materials", Sustainable Packaging Solution, 2009, 19 pgs.

MP Global Products; Article entitled: "Thermopod mailer envelopes and Thermokeeper insulated box liners", located at < [http://www.mhpn.com/product/thermopod\\_mailer\\_envelopes\\_and\\_thermokeeper\\_insulated\\_box\\_liners/packaging](http://www.mhpn.com/product/thermopod_mailer_envelopes_and_thermokeeper_insulated_box_liners/packaging)>, accessed on Aug. 30, 2017, 2 pgs.

UN Packaging; Article entitled: "CooLiner ® Insulated Shipping Bags", available at < <http://www.chem-tran.com/packaging/supplies/cooliner-insulated-shipping-bags.php>>, accessed on Aug. 30, 2017, 2 pgs.

Aksan, Yavuz; Notice of Allowance for U.S. Appl. No. 15/954,677, filed Apr. 17, 2018, dated Mar. 31, 2020, 20 pgs.

Aksan, Yavuz; Notice of Allowance for U.S. Appl. No. 16/280,609, filed Feb. 20, 2019, dated Mar. 13, 2020, 18 pgs.

Aksan, Yavuz; Final Office Action for U.S. Appl. No. 16/293,868, filed Mar. 6, 2019, dated May 13, 2020, 14 pgs.

Aksan, Yavuz; Non-Final Office Action for U.S. Appl. No. 15/809,072, filed Nov. 10, 2017, dated Apr. 22, 2020, 25 pgs.

Muse, John Richard; Applicant-Initiated Interview Summary for U.S. Appl. No. 15/909,515, filed Mar. 1, 2018, dated Mar. 26, 2020, 3 pgs.

Muse, John Richard; Non-Final Office Action for U.S. Appl. No. 15/909,515, filed Mar. 1, 2018, dated Apr. 30, 2020, 16 pgs.

Aksan, Yavuz; Notice of Allowance for U.S. Appl. No. 15/954,677, filed Apr. 17, 2018, dated Jul. 23, 2020, 6 pgs.

Aksan, Yavuz; Supplemental Notice of Allowance for U.S. Appl. No. 15/954,677, filed Apr. 17, 2018, dated Jun. 12, 2020, 6 pgs.

Aksan, Yavuz; Non-Final Office Action for U.S. Appl. No. 16/293,868, filed Mar. 6, 2019, dated Jul. 1, 2020, 15 pgs.

Muse, John Richard; Notice of Allowance for U.S. Appl. No. 15/909,515, filed Mar. 1, 2018, dated Jun. 17, 2020, 10 pgs.

Aksan, Yavuz; Non-Final Office Action for U.S. Appl. No. 16/293,868, filed Mar. 6, 2019, dated Oct. 9, 2020, 15 pgs.

Aksan, Yavuz; Notice of Allowance for U.S. Appl. No. 15/809,072, filed Nov. 10, 2017, dated Sep. 17, 2020, 19 pgs.

Aksan, Yavuz; Final Office Action for U.S. Appl. No. 16/293,868, filed Mar. 6, 2019, dated Feb. 24, 2021, 19 pgs.

\* cited by examiner

*Primary Examiner* — Vy N Koenig  
(74) *Attorney, Agent, or Firm* — Taylor English Duma  
LLP

(57) **CLAIM**

We claim the ornamental design for a mechanically secured box, as shown and described.

#### DESCRIPTION

FIG. 1 is a top perspective view of a mechanically secured box in a blank configuration.

FIG. 2 is a top view thereof.

FIG. 3 is a first side elevation view thereof.

FIG. 4 is a second side elevation view thereof.

FIG. 5 is a third side elevation view thereof.

FIG. 6 is a fourth side elevation view thereof.

FIG. 7 is a perspective view of the the mechanically secured box of FIG. 1 in a partially assembled configuration.

FIG. 8 is another perspective view thereof.

FIG. 9 is a perspective view thereof illustrating a next assembly step.

FIG. 10 is a perspective view thereof illustrating a next assembly step.

FIG. 11 is a perspective view thereof illustrating a next assembly step.

FIG. 12 is a perspective view thereof illustrating a next assembly step.

FIG. 13 is a perspective view thereof illustrating a next assembly step.

FIG. 14 is a perspective view thereof illustrating a next assembly step; and,

FIG. 15 is a perspective view thereof illustrating the claimed design fully assembled.

The invention pertains to an ornamental design for a mechanically secured box. the solid lines represent the bounds of the claimed design, whereas those features shown in broken lines, including a handle cutout of the mechani-

cally secured box as shown in FIGS. 1-2, 7-9, and 14-15 and the exterior edges of the panels comprising the bottom of the mechanically secured box as shown in FIGS. 1-2, 6-10, and 13 form no part of the claimed design.

**1 Claim, 10 Drawing Sheets**



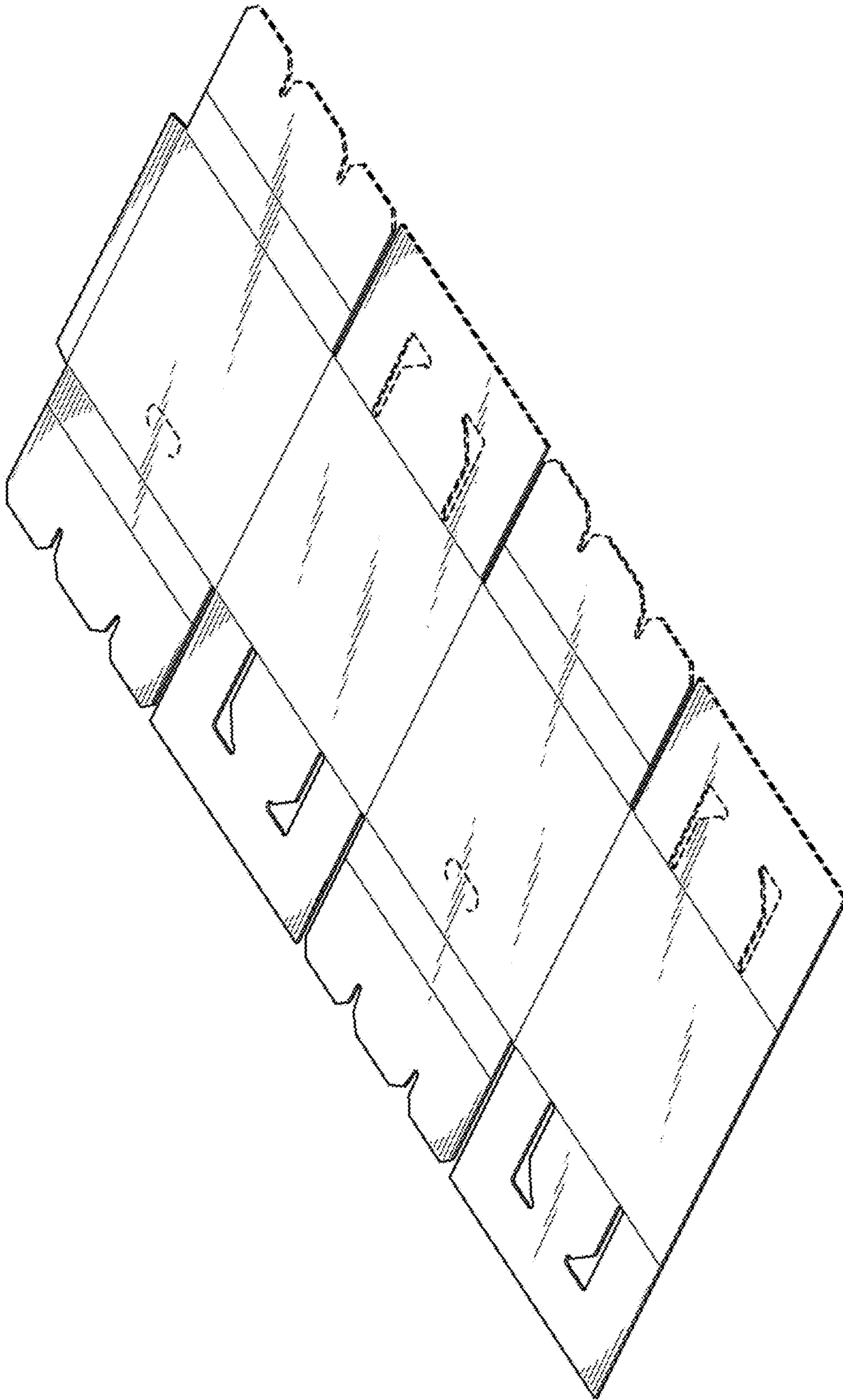


FIG. 1

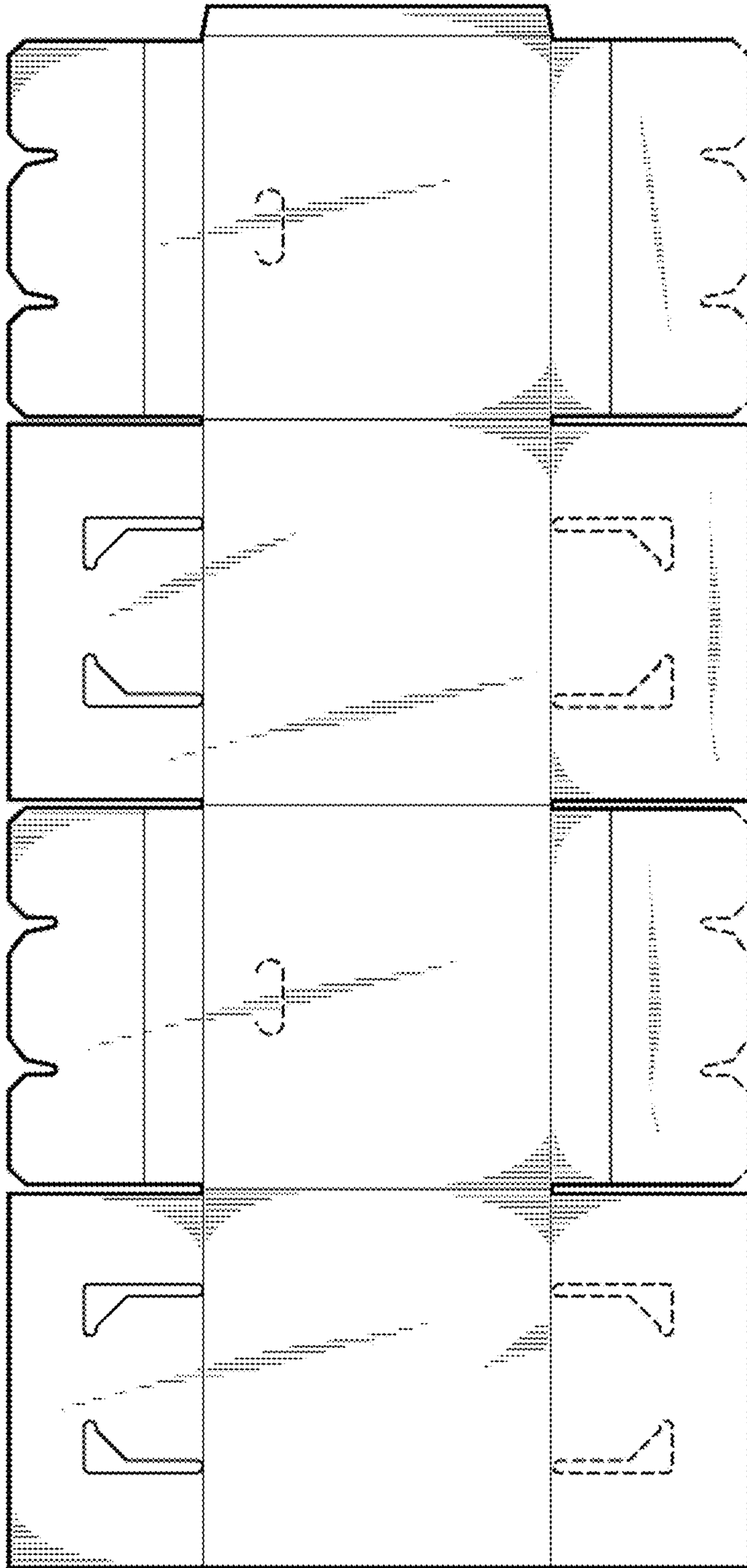
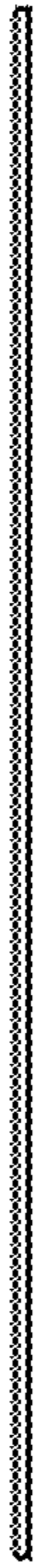


FIG. 2



**FIG. 3**



**FIG. 4**



**FIG. 5**



**FIG. 6**

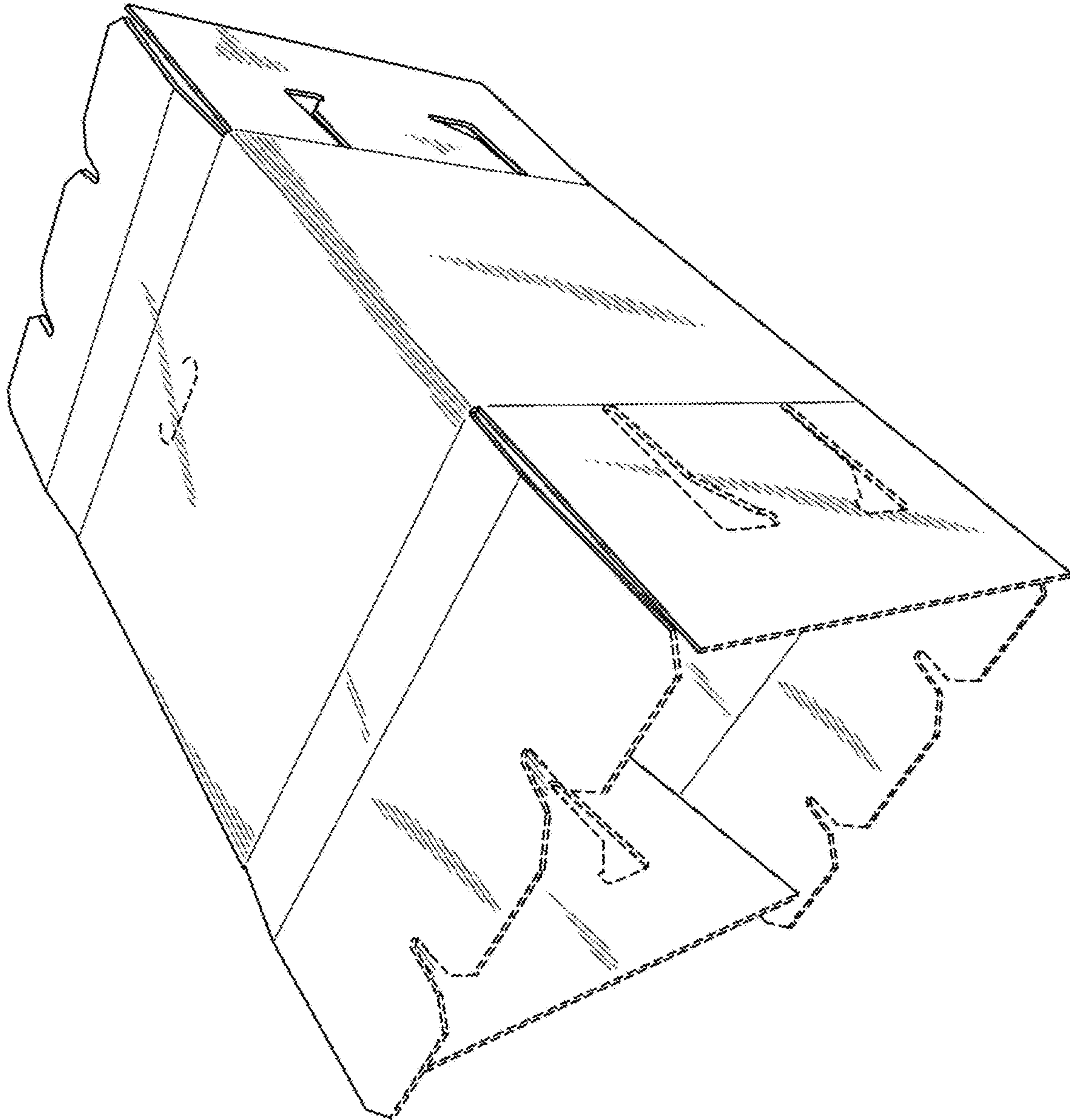


FIG. 7



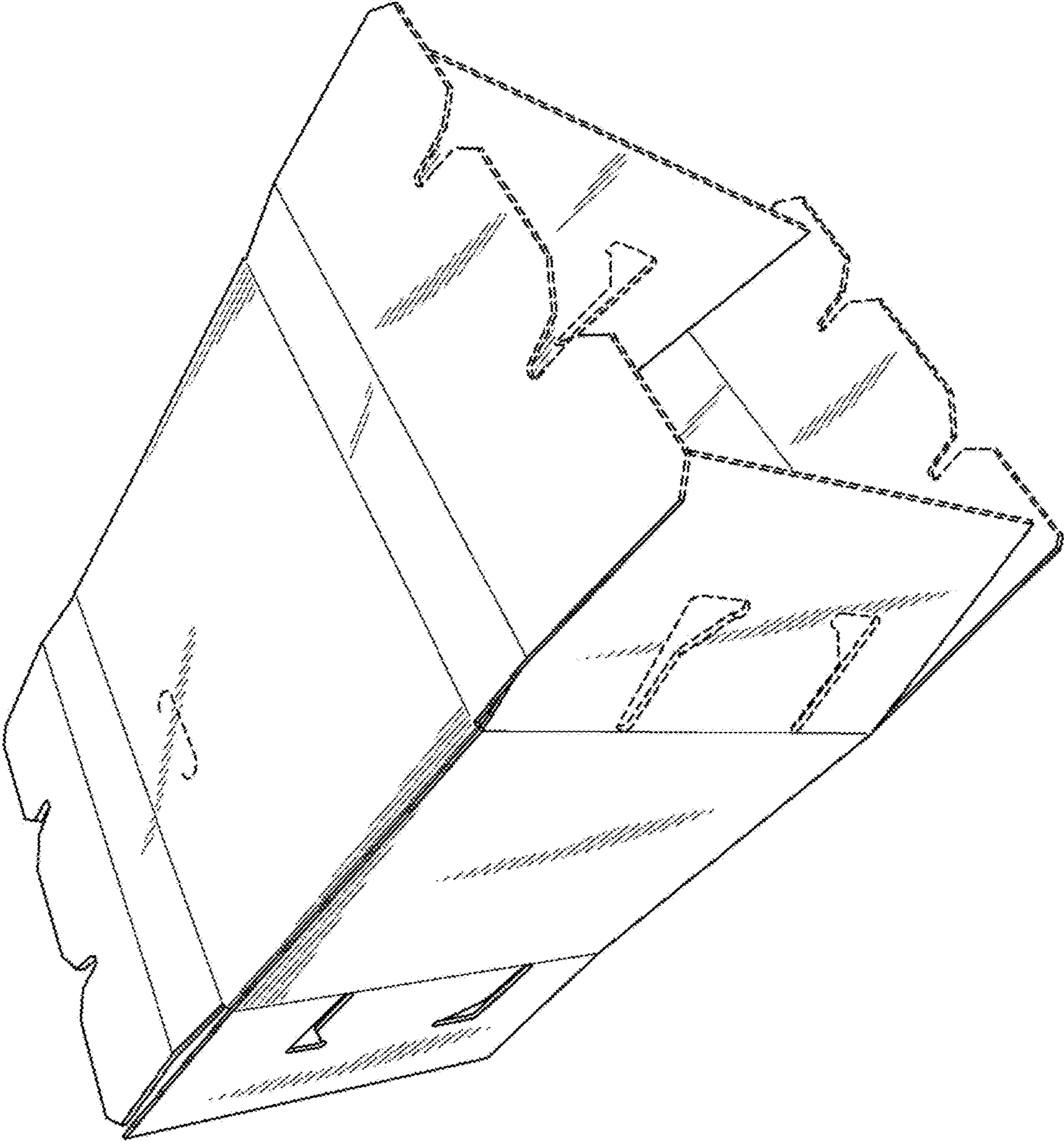


FIG. 8

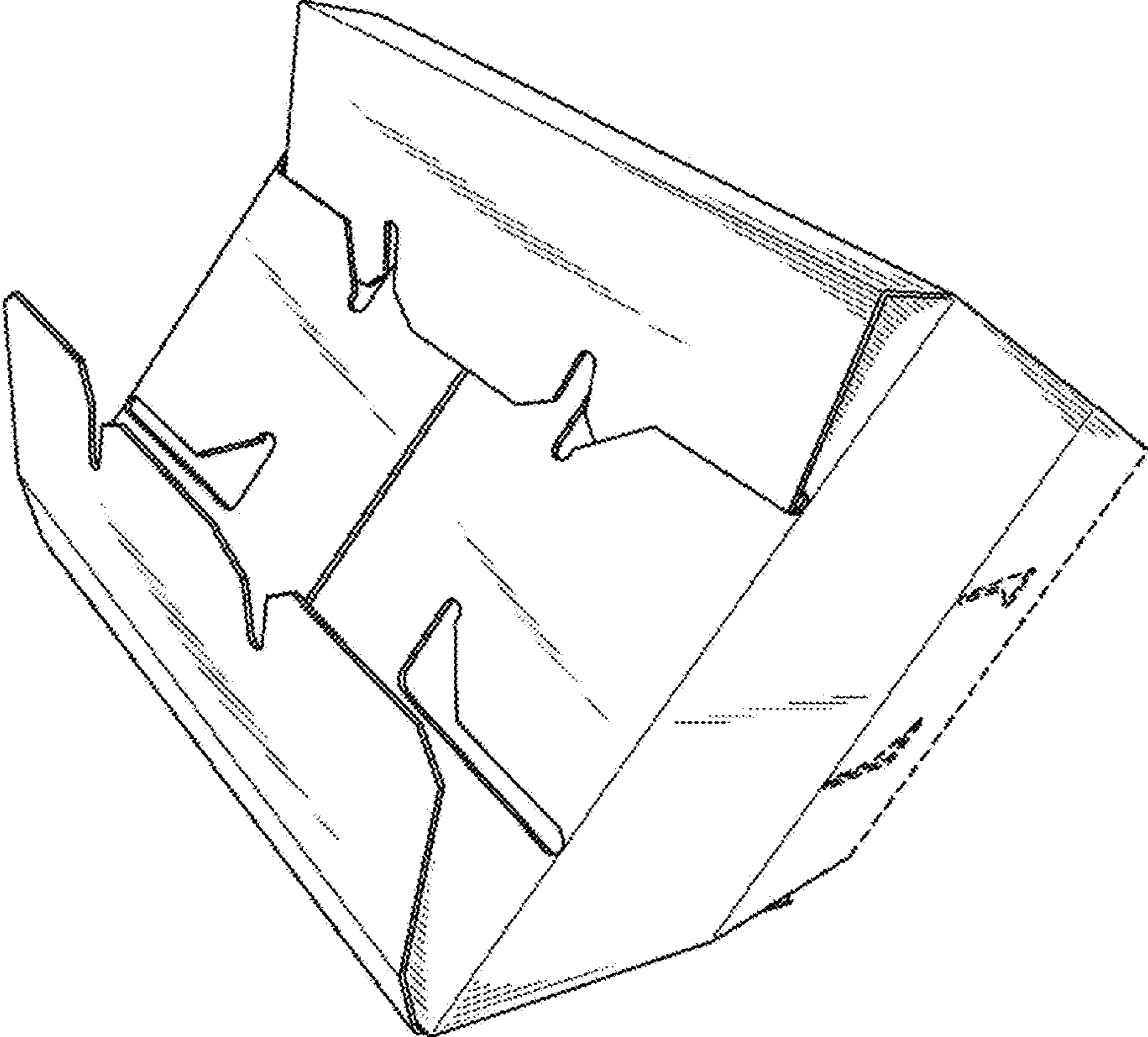


FIG. 9

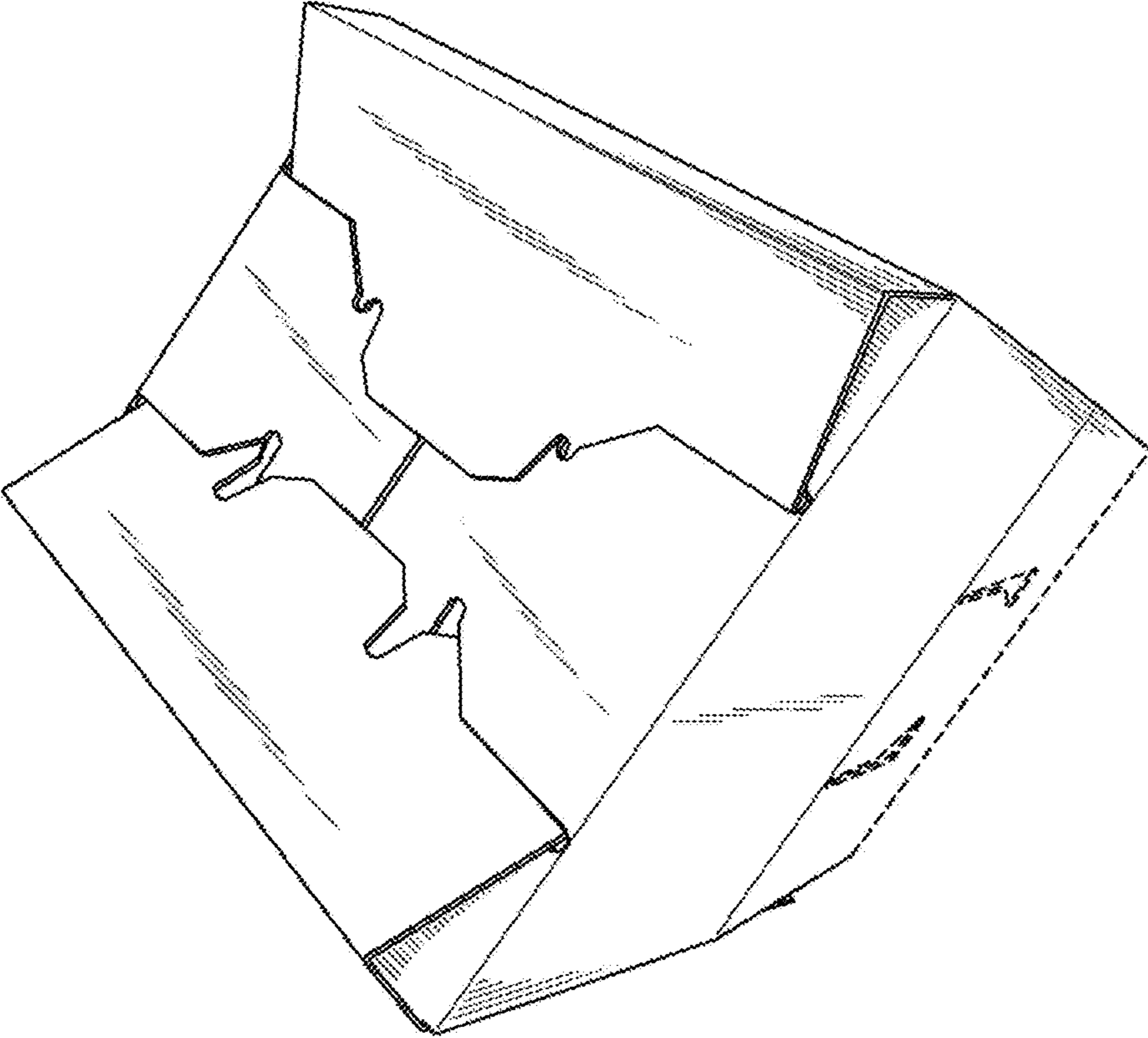


FIG. 10

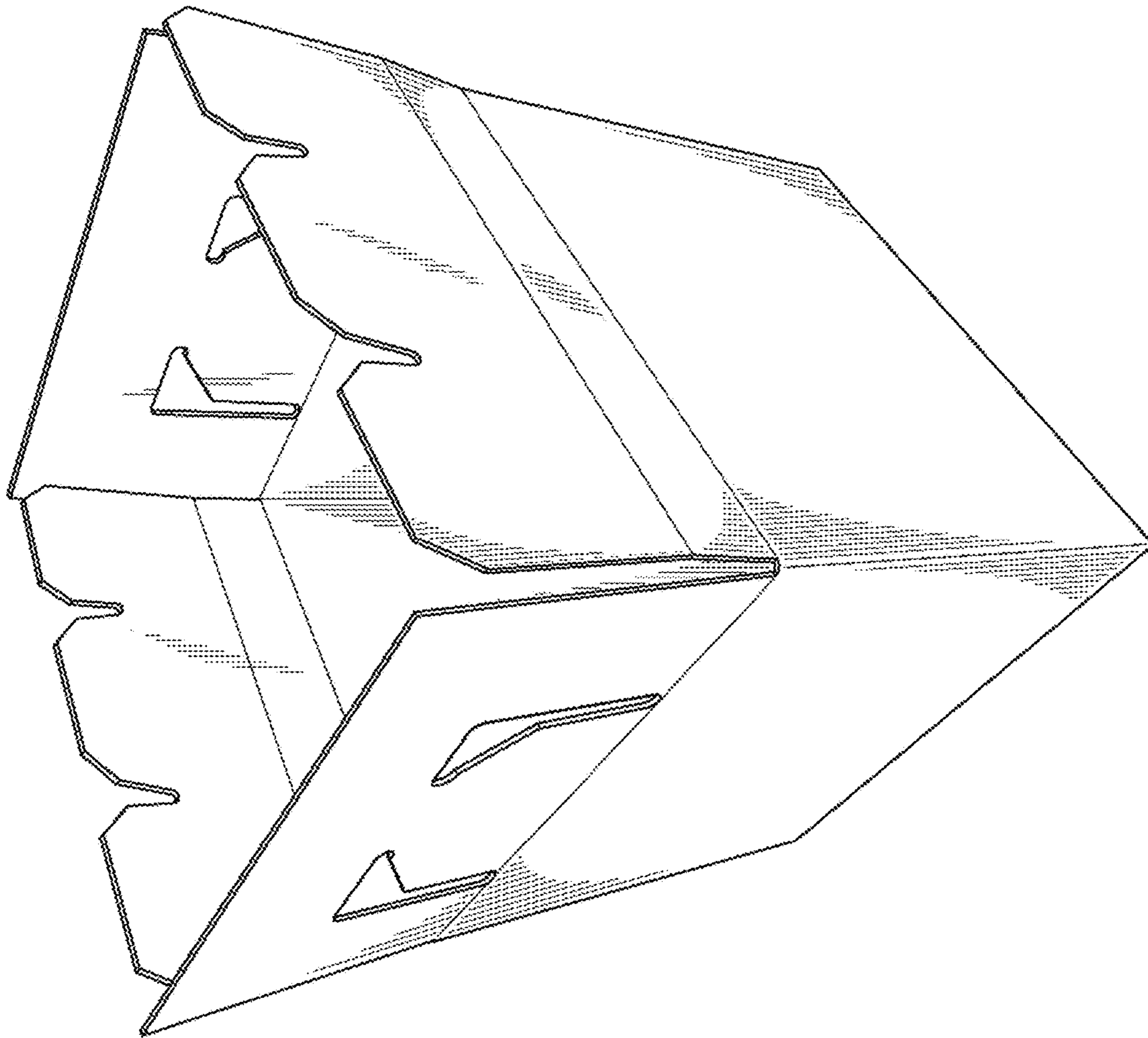


FIG. 11



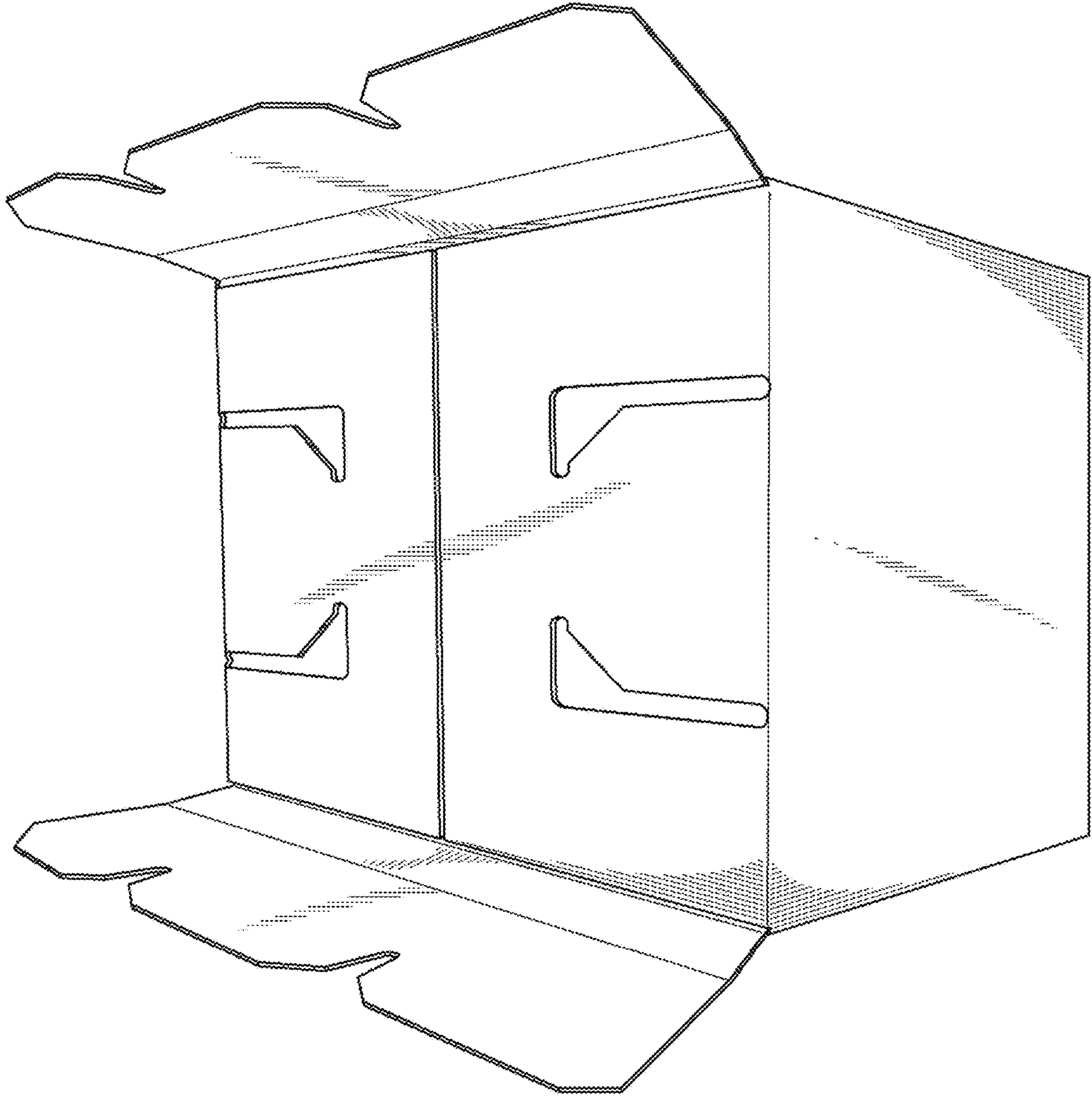


FIG. 12

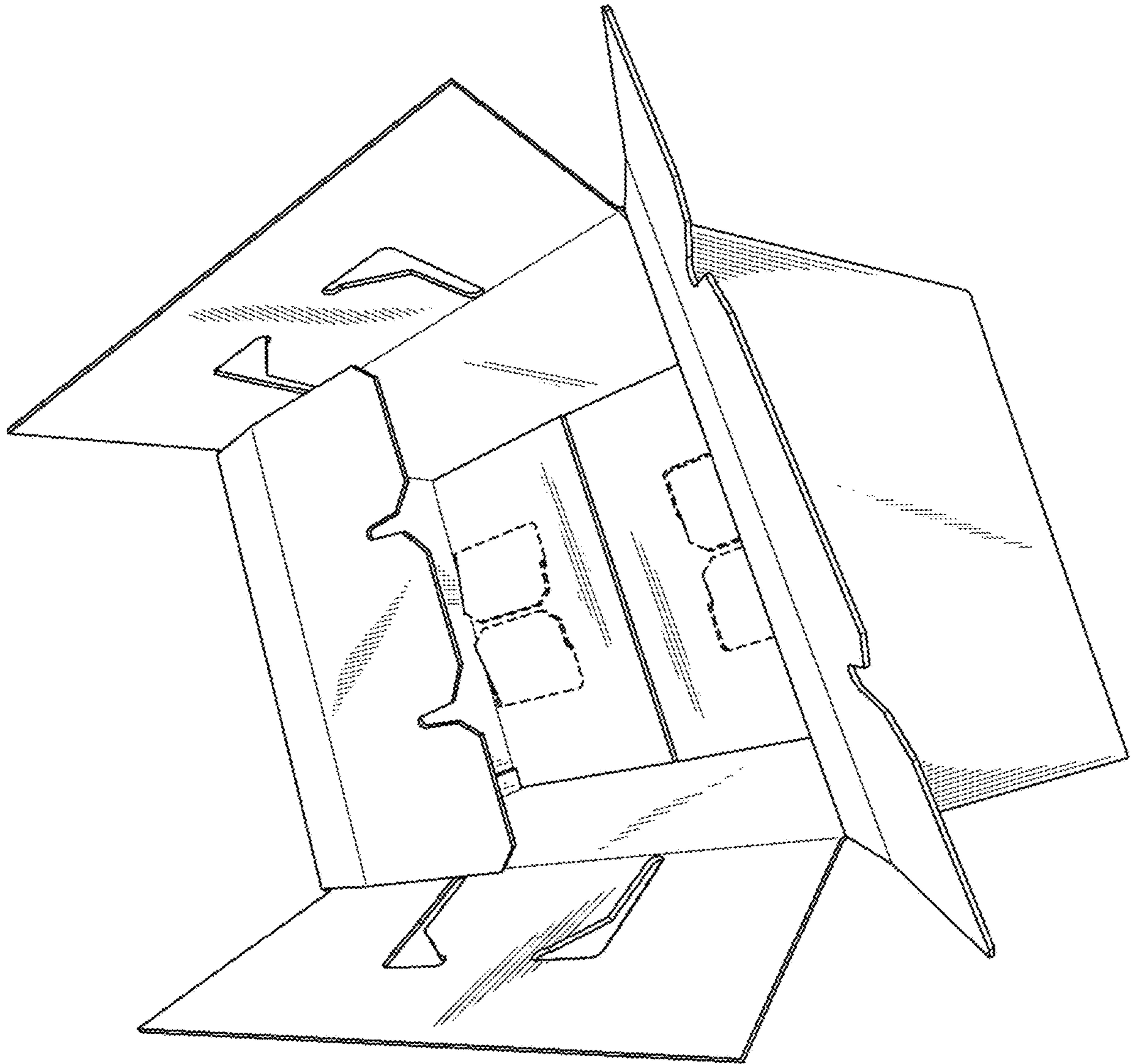


FIG. 13

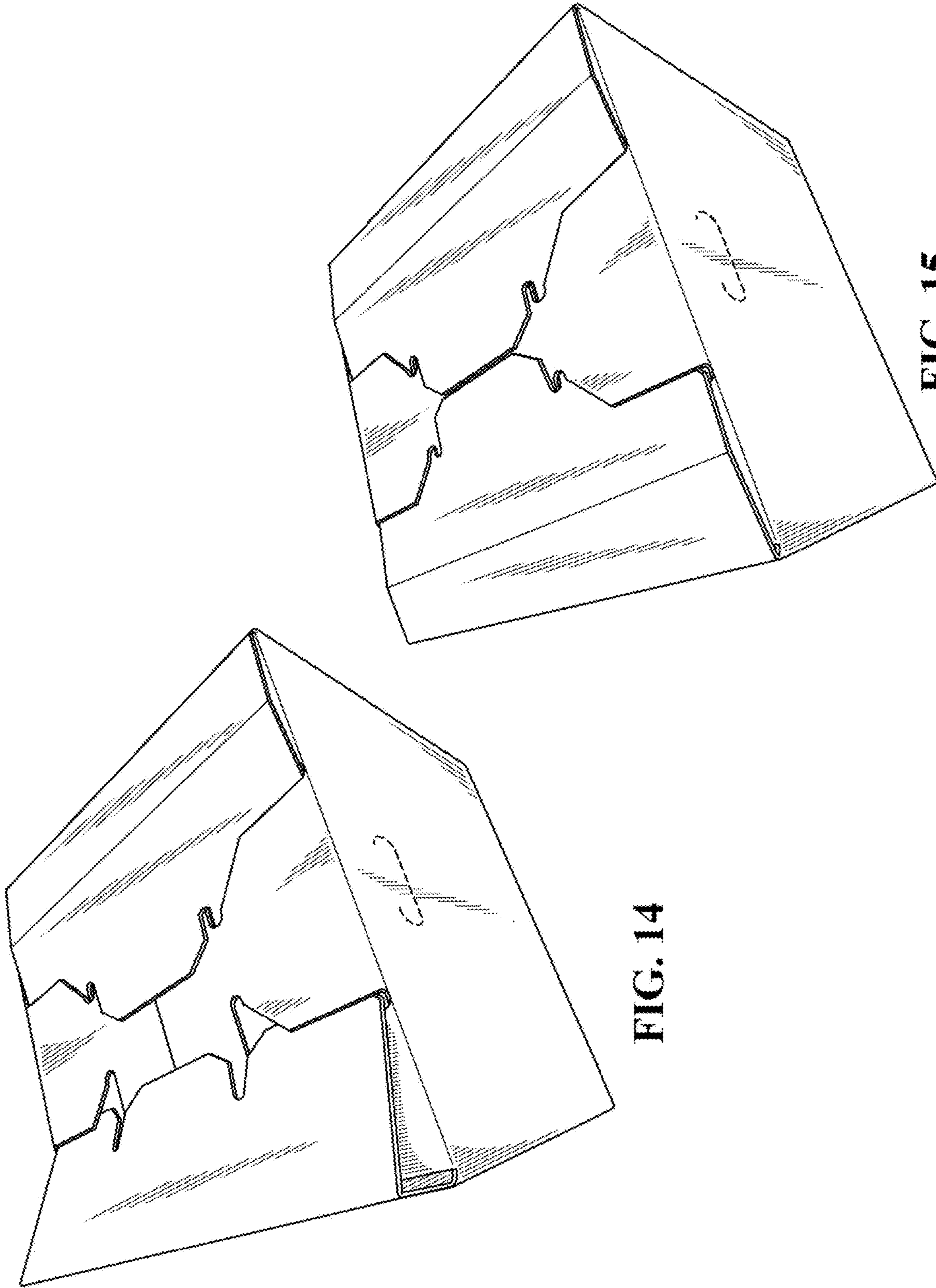


FIG. 14

FIG. 15