



US00D919430S

(12) **United States Design Patent**
Lee et al.

(10) **Patent No.:** **US D919,430 S**
(45) **Date of Patent:** **** May 18, 2021**

(54) **CAPSULE FOR ICE CREAM MAKER**

(71) Applicant: **LG ELECTRONICS INC.**, Seoul (KR)

(72) Inventors: **Hophil Lee**, Seoul (KR); **Seungil Lee**, Seoul (KR)

(73) Assignee: **LG Electronics Inc.**, Seoul (KR)

(**) Term: **15 Years**

(21) Appl. No.: **35/508,363**

(22) Filed: **Jul. 24, 2019**

(80) **Hague Agreement Data**

Int. Filing Date: **Jul. 24, 2019**

Int. Reg. No.: **DM/203995**

Int. Reg. Date: **Jul. 24, 2019**

Int. Reg. Pub. Date: **Jan. 24, 2020**

(30) **Foreign Application Priority Data**

Feb. 15, 2019 (KR) 30-2019-0006969

(51) **LOC (13) Cl.** **09-03**

(52) **U.S. Cl.**
USPC **D9/428**

(58) **Field of Classification Search**
USPC D9/434-436, 499, 425, 454, 428;
D7/213, 300, 397, 400, 401.1, 601, 602,
D7/608

CPC A65D 85/8043

See application file for complete search history.

(56) **References Cited**

U.S. PATENT DOCUMENTS

- D606,363 S * 12/2009 Aardenburg D7/400
- D692,760 S * 11/2013 Rapparini D9/500
- D694,579 S * 12/2013 Khubani D7/400
- D698,649 S * 2/2014 Quint D9/500

- D699,566 S * 2/2014 De Pra D9/425
- D732,390 S * 6/2015 Trombetta D9/500
- D753,954 S * 4/2016 Schreiber D7/400
- D889,907 S * 7/2020 Braukmann D7/400
- D897,834 S * 10/2020 Lee D9/428
- D899,244 S * 10/2020 Lee D9/428
- 2011/0097450 A1* 4/2011 Kruger B65D 85/8043
426/77
- 2011/0183048 A1* 7/2011 Noble A23F 5/46
426/122
- 2013/0136828 A1* 5/2013 Anghileri B31B 50/00
426/112

(Continued)

OTHER PUBLICATIONS

Engadget. LG's SnowWhite is like a Keurig for ice cream. Mar. 12, 2019. <https://www.engadget.com/2019-03-12-lg-snowwhite-ice-cream-maker-keurig.html> (Year: 2019).*

(Continued)

Primary Examiner — Darcey E Gottschalk

(74) *Attorney, Agent, or Firm* — Birch, Stewart, Kolasch & Birch, LLP

(57) **CLAIM**

The ornamental design for a capsule for ice cream maker, as shown and described.

DESCRIPTION

1. Capsule for ice cream maker

1.1 : Perspective

1.2 : Front

1.3 : Back

1.4 : Left

1.5 : Right

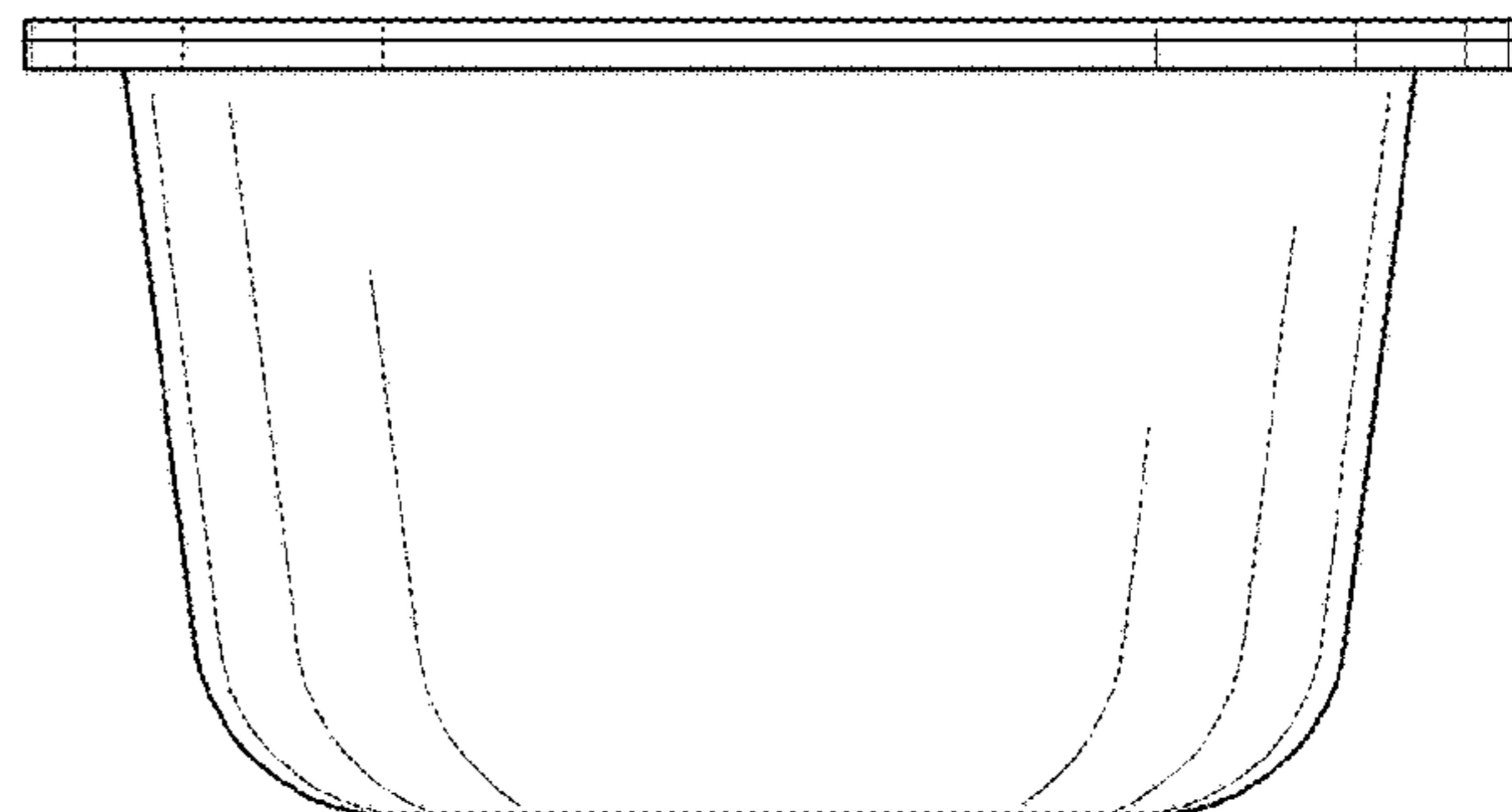
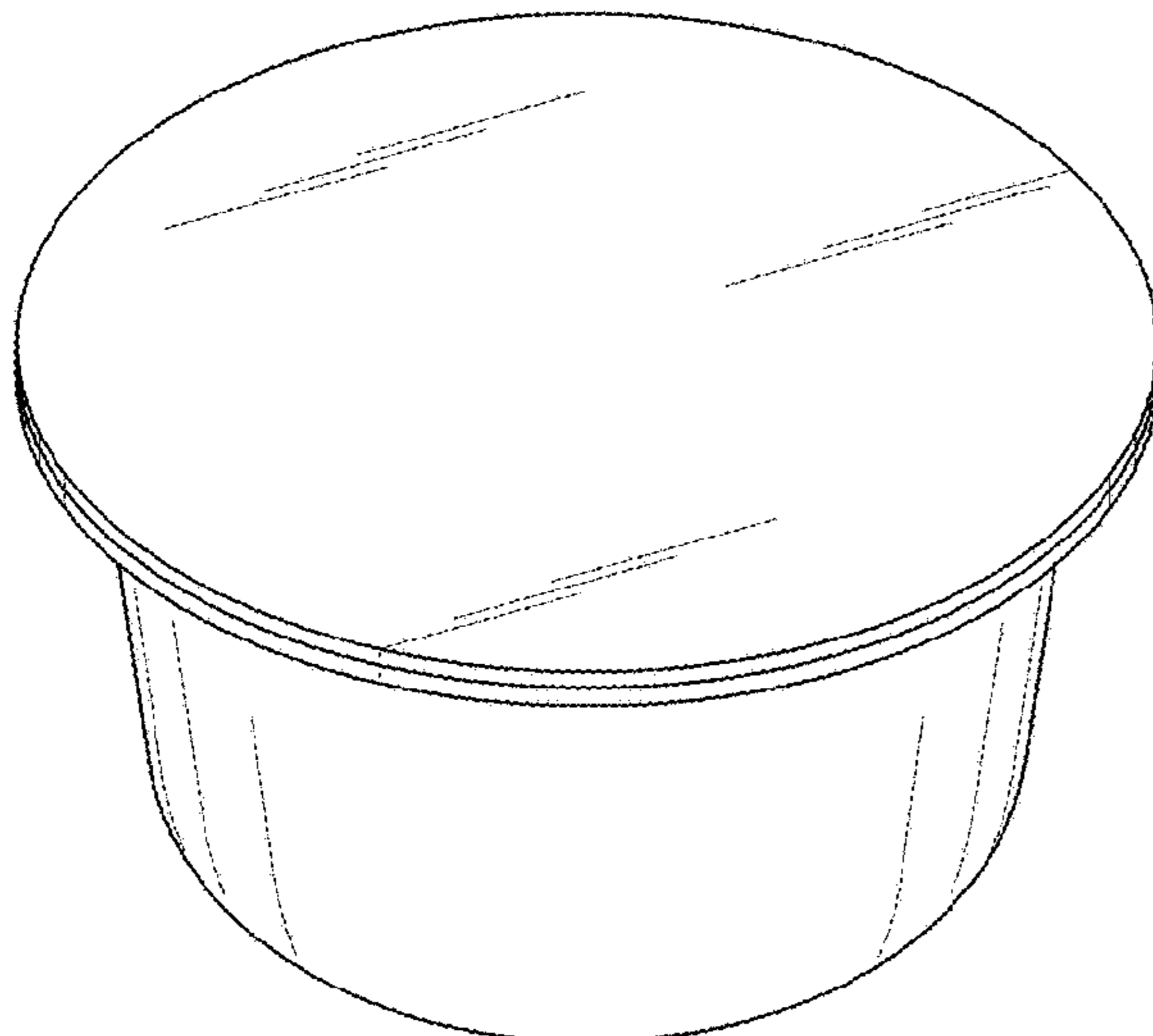
1.6 : Top

1.7 : Bottom

1.8 : Reference view showing a state of use

Broken lines illustrate environmental condition only and form no part of the claimed design.

1 Claim, 8 Drawing Sheets



(56)

References Cited

U.S. PATENT DOCUMENTS

2013/0327223 A1* 12/2013 Bartoli B65D 85/8043
99/295
2014/0190863 A1* 7/2014 Fabozzi B29C 45/14336
206/524.6
2015/0158609 A1* 6/2015 Villain B65B 29/022
426/112
2016/0137402 A1* 5/2016 Talon A47J 31/407
99/295
2016/0288990 A1* 10/2016 Roberts A47J 31/407
2017/0121101 A1* 5/2017 Empl B65D 65/466
2019/0225412 A1* 7/2019 Cabilli B65D 85/8043
2020/0180857 A1* 6/2020 Bambagioni B65D 85/8043
2020/0231372 A1* 7/2020 Parise B65D 65/466
2020/0262693 A1* 8/2020 Stefanoni B65D 85/8049
2020/0346849 A1* 11/2020 Stefanoni B65D 85/8043

OTHER PUBLICATIONS

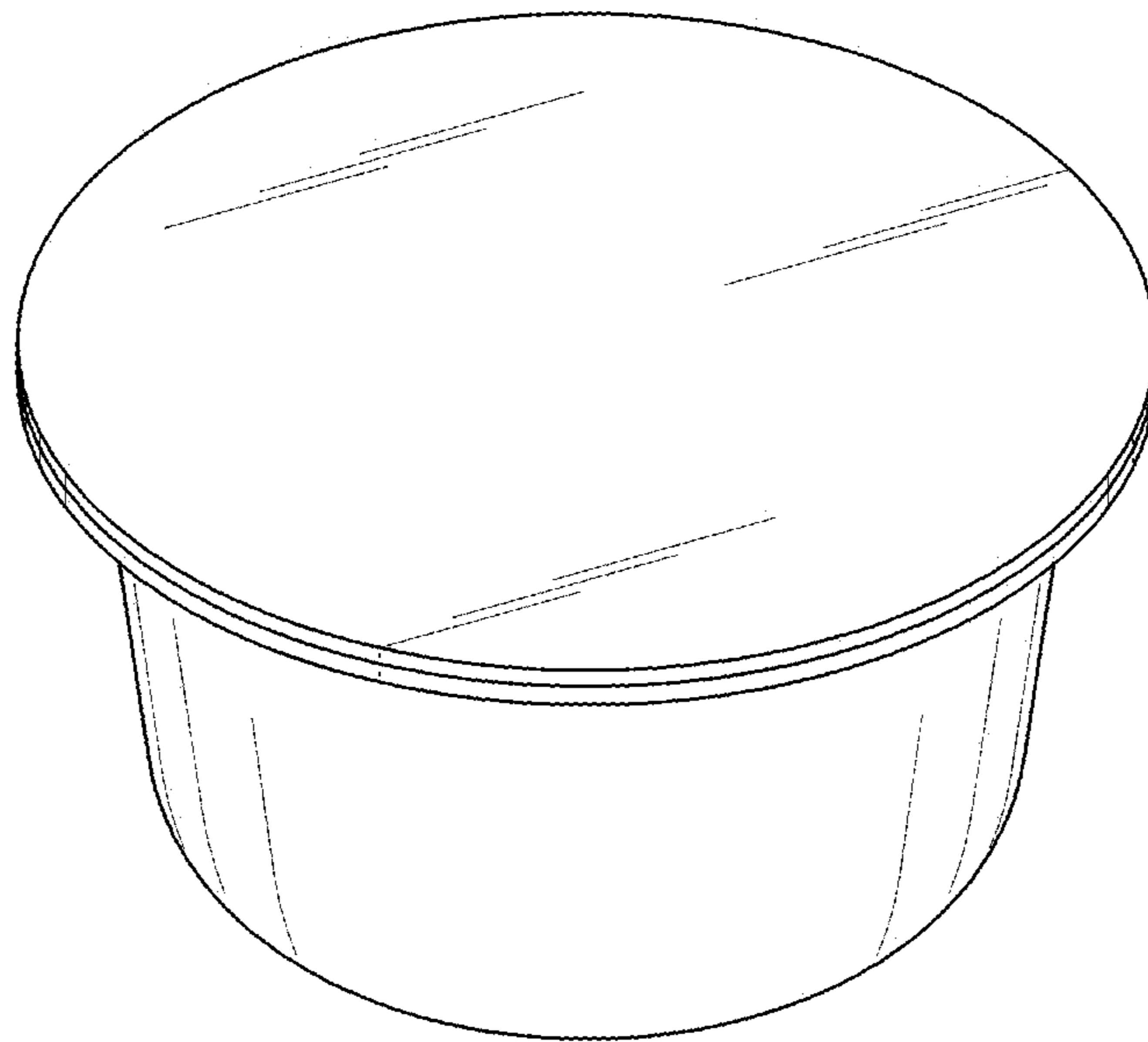
Insider. A machine that makes frozen desserts looks like a Keurig for ice cream. Mar. 26, 2019. <https://www.insider.com/lg-snowwhite-ice-cream-keurig-like-machine-2019-3> (Year: 2019).*

Fat Burning Machine. Yogurt Labels—How You can be Mislead by Serving Size and Calories. Nov. 14, 2017. <http://fat-burning-machine.com/yogurt-labels-how-you-can-be-mislead-by-serving-size-and-calories/> (Year: 2017).*

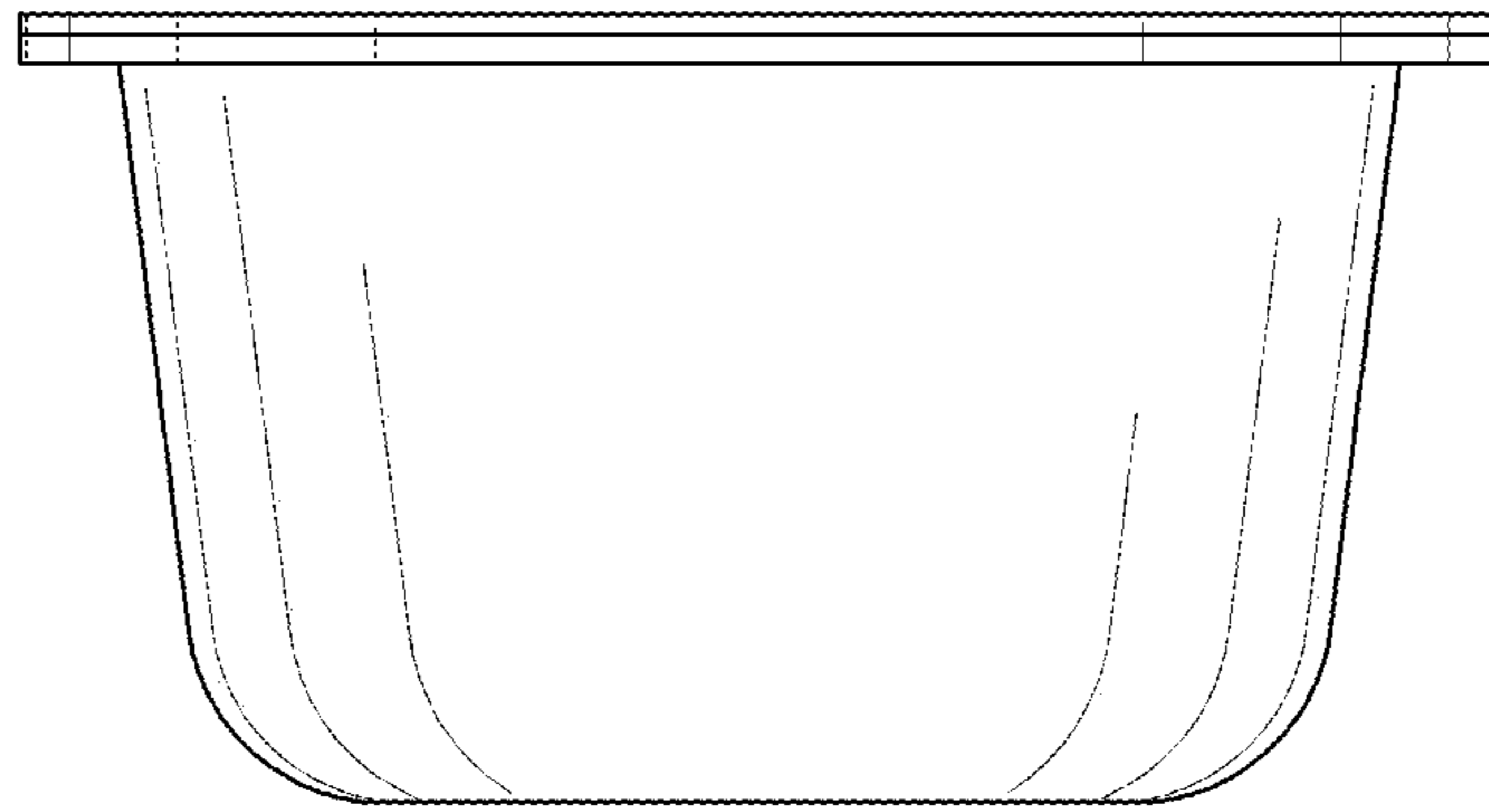
Emily Roach Wellness. Reuse Those Yogurt Containers. Oct. 12, 2011. <https://emilyroachwellness.com/reuse-those-yogurt-containers-2/> (Year: 2011).*

* cited by examiner

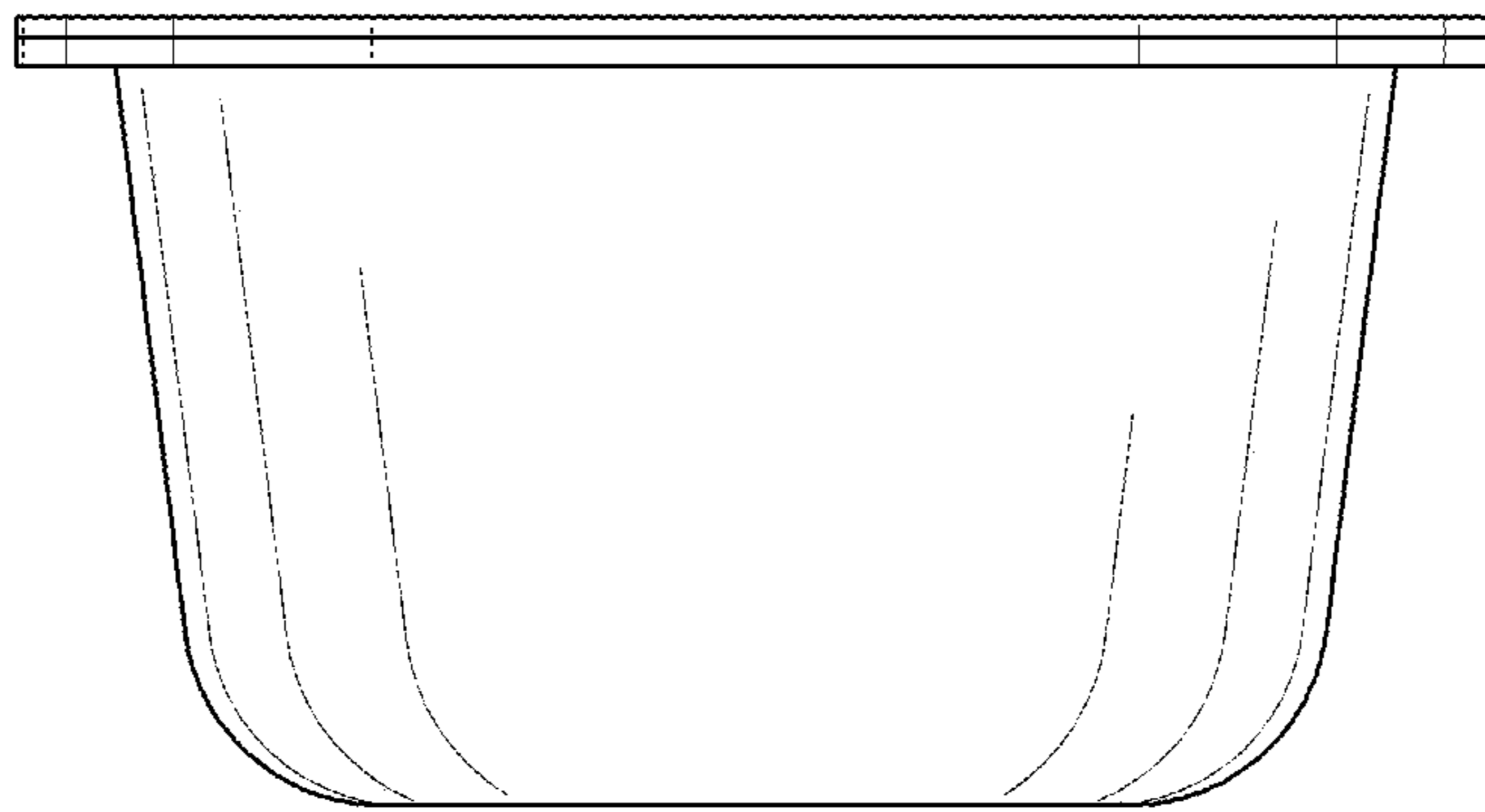
1.1



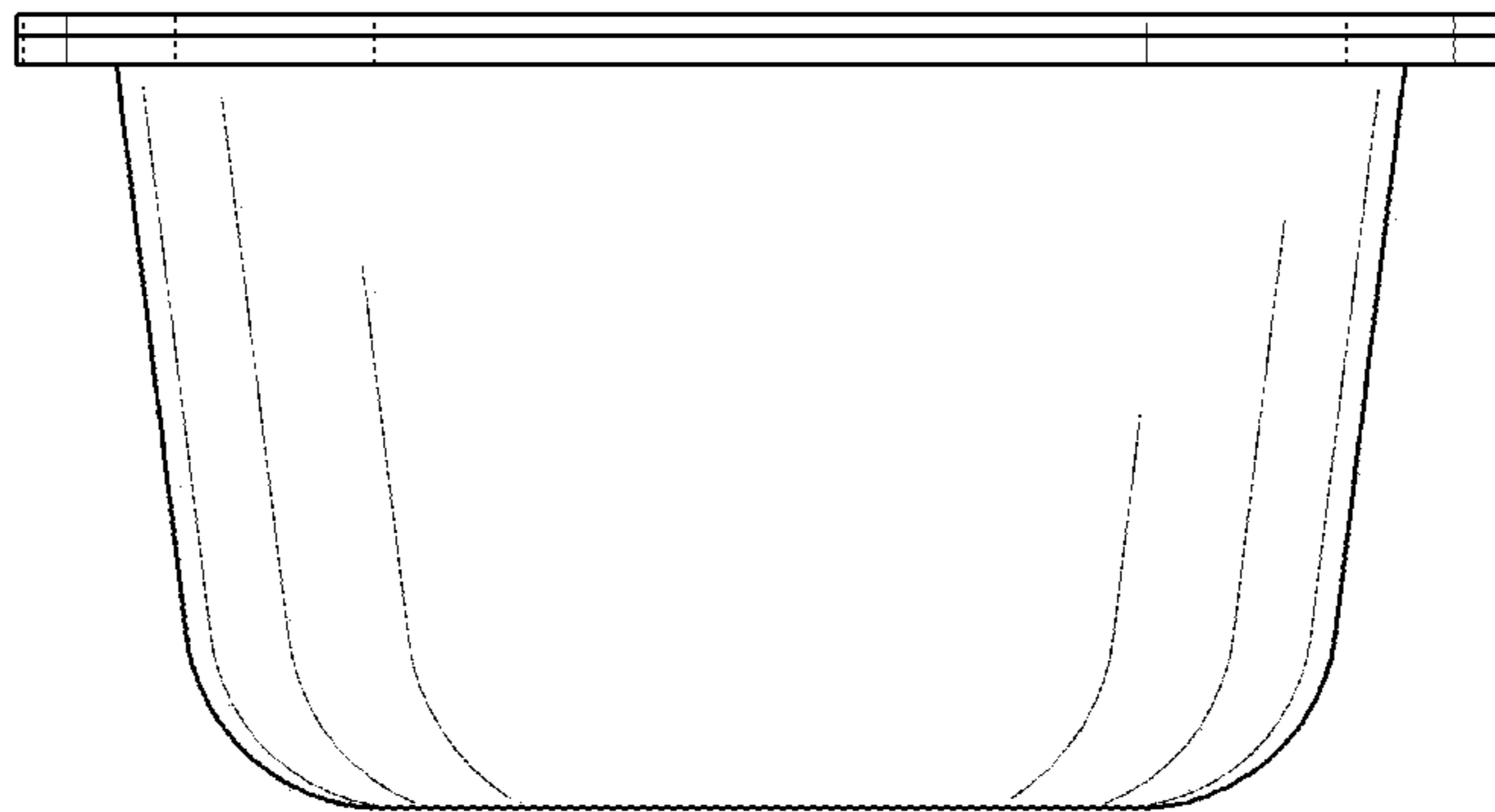
1.2



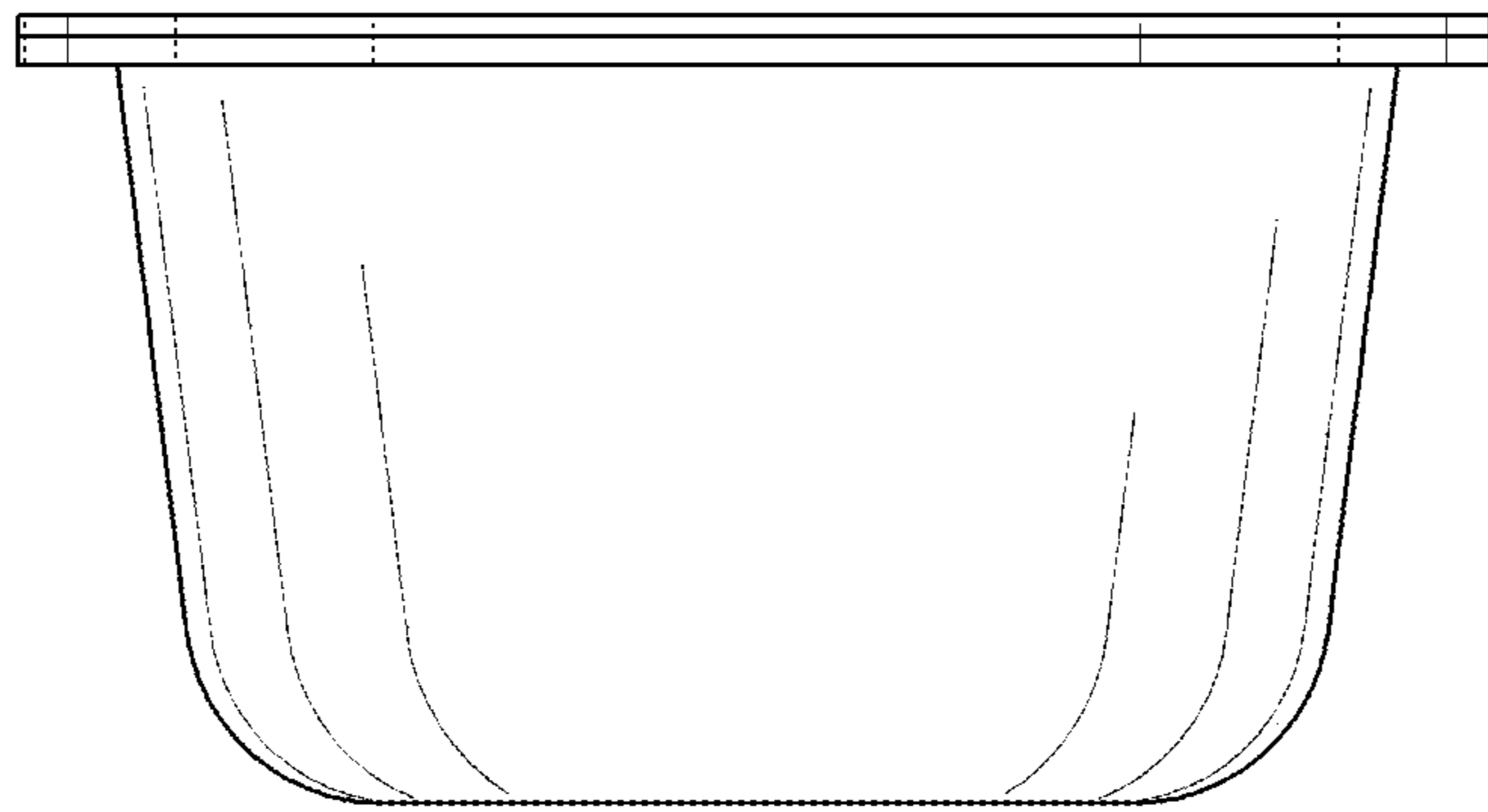
1.3



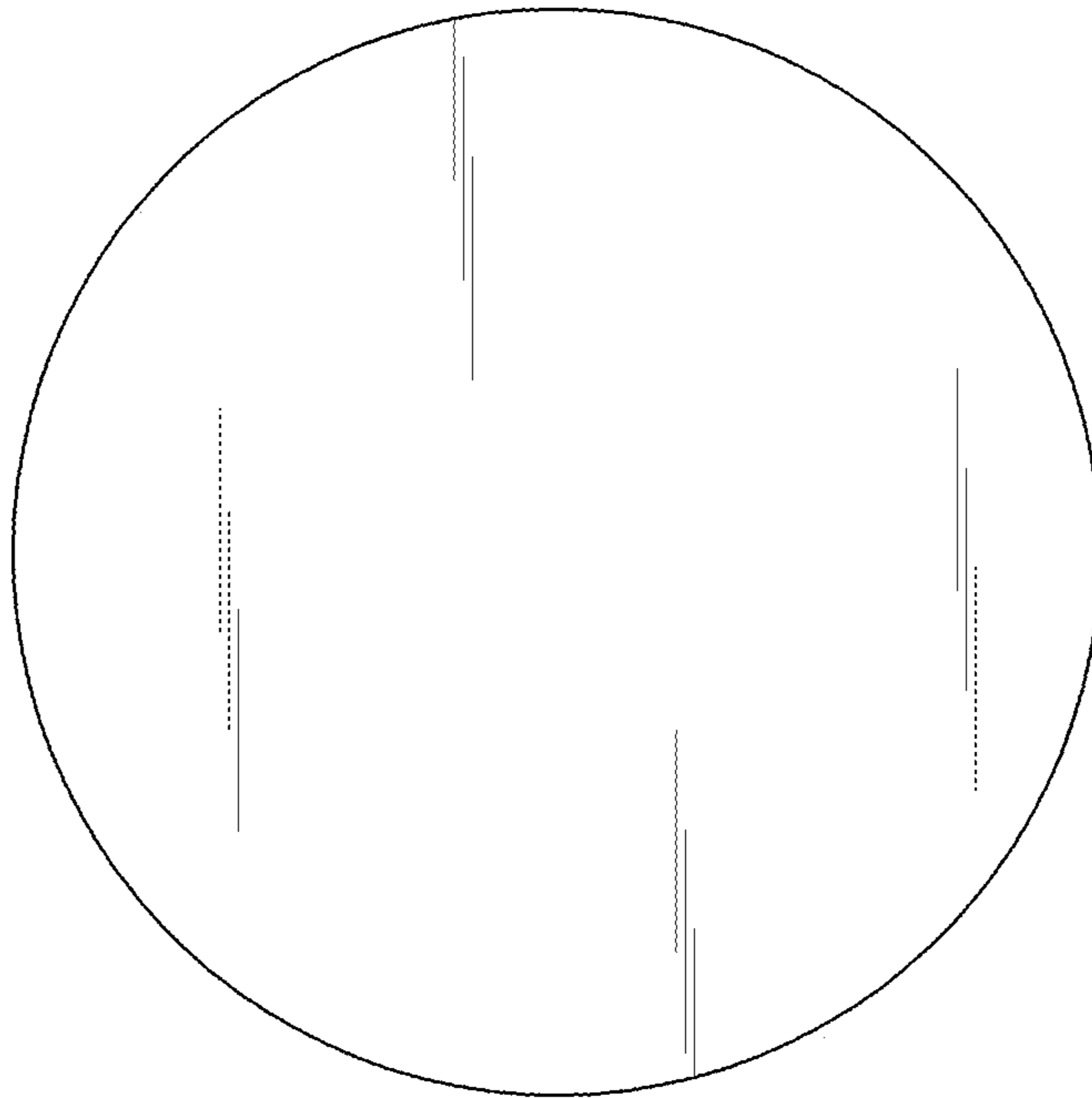
1.4



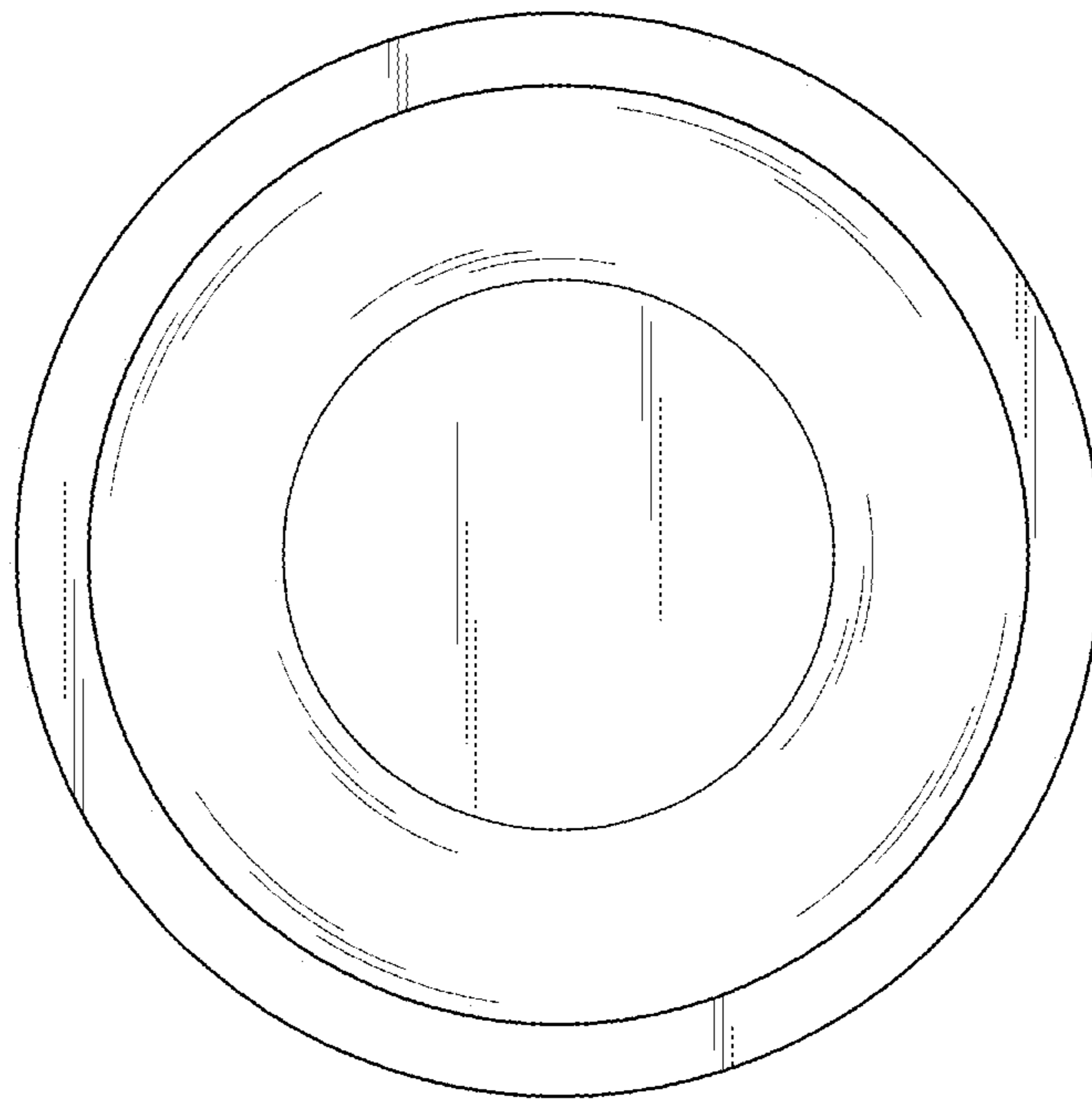
1.5



1.6



1.7



1.8

