



US00D919429S

(12) **United States Design Patent** (10) **Patent No.:** **US D919,429 S**  
**Timar** (45) **Date of Patent:** **\*\* May 18, 2021**

(54) **CONTAINER**  
(71) Applicant: **Michael Hoerauf Maschinenfabrik GmbH und Co. KG, Donzdorf (DE)**  
(72) Inventor: **Andreas Timar, Geislingen (DE)**  
(73) Assignee: **Michael Hoerauf Maschinenfabrik GmbH und Co. KG, Donzdorf (DE)**  
(\*\*) Term: **15 Years**  
(21) Appl. No.: **29/709,752**

8,851,314 B2 \* 10/2014 Hudson ..... B65D 43/0212  
220/212  
2006/0201946 A1 \* 9/2006 Witt ..... B29C 66/242  
220/276  
2007/0062948 A1 \* 3/2007 Albrecht ..... B65D 85/78  
220/266  
2009/0289066 A1 \* 11/2009 DiPietro ..... B65D 45/322  
220/324  
2012/0031903 A1 \* 2/2012 Antal, Sr. .... B65D 43/0212  
220/254.3  
2013/0098914 A1 \* 4/2013 Pudseykke ..... B65D 43/02  
220/270  
2016/0272388 A1 \* 9/2016 Slack ..... B65D 25/14  
2020/0148428 A1 \* 5/2020 Georgiadis ..... B65D 43/0256

(22) Filed: **Oct. 17, 2019**  
(30) **Foreign Application Priority Data**  
May 13, 2019 (EM) ..... 006448635-0006  
(51) **LOC (13) Cl.** ..... **09-03**  
(52) **U.S. Cl.**  
USPC ..... **D9/428; D9/424**  
(58) **Field of Classification Search**  
USPC ..... D9/414, 415, 418, 424, 425, 426, 430,  
D9/428; D7/601, 602, 629, 630  
CPC ..... B65D 2543/00296; B65D 2543/00092;  
B65D 2543/00027; B65D 2543/00101;  
B65D 21/0233  
See application file for complete search history.

**OTHER PUBLICATIONS**

“Packaging technology: Cup packaging and Can / Container packaging solutions,” Hörauf the art of engineering, Michael Hörauf Maschinenfabrik GmbH & Co. KG, 2016, Donzdorf, Germany.

\* cited by examiner

*Primary Examiner* — Lauren R Calve  
(74) *Attorney, Agent, or Firm* — Crowell & Moring LLP

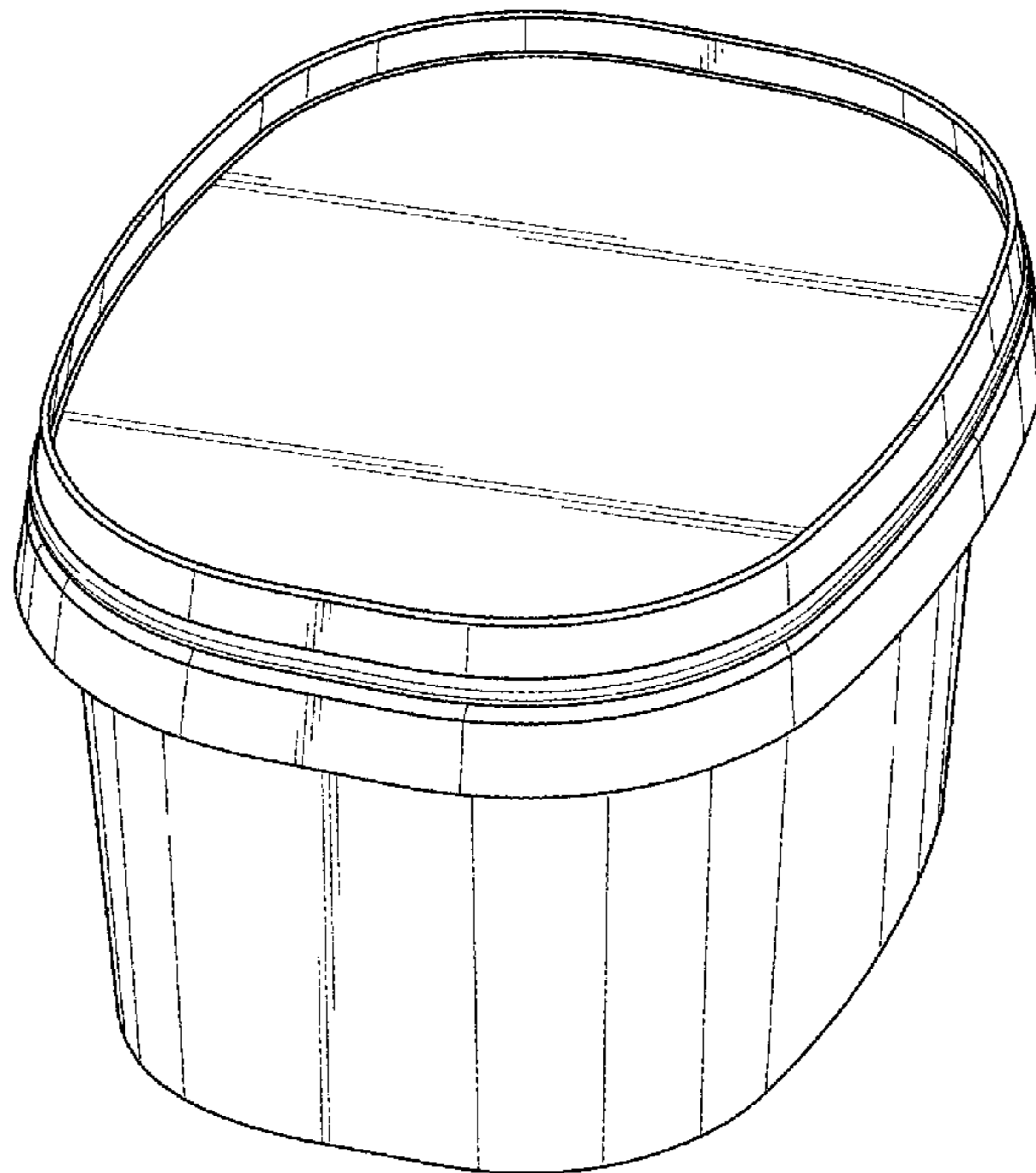
(57) **CLAIM**  
The ornamental design for a container, as shown and described.

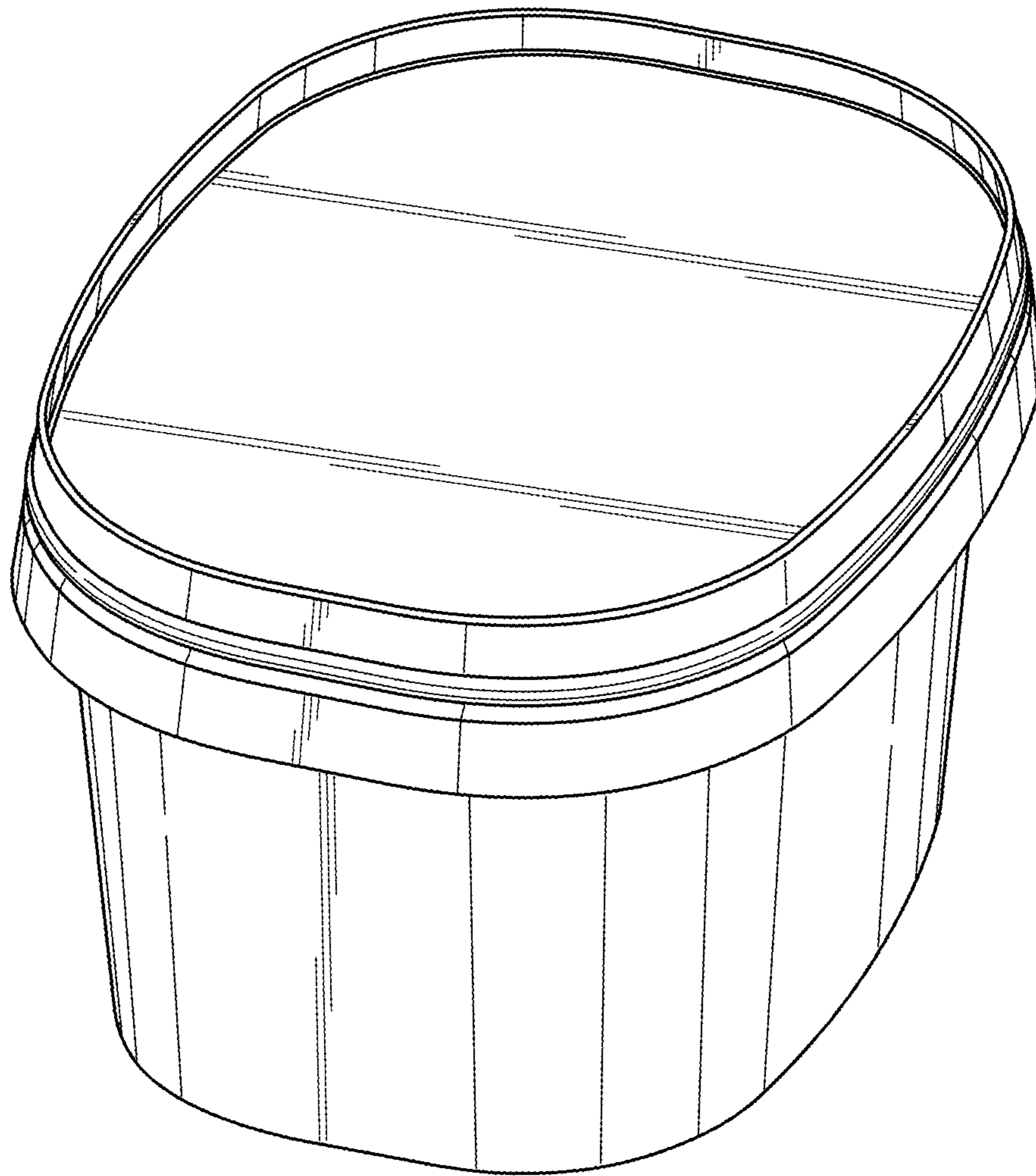
**DESCRIPTION**

FIG. 1 is a perspective view of a container according to the design;  
FIG. 2 is a front view thereof;  
FIG. 3 is a side view thereof;  
FIG. 4 is a top view thereof; and,  
FIG. 5 is a bottom view thereof.  
The broken lines in the drawings illustrate environmental subject matter only and form no part of the claimed design.

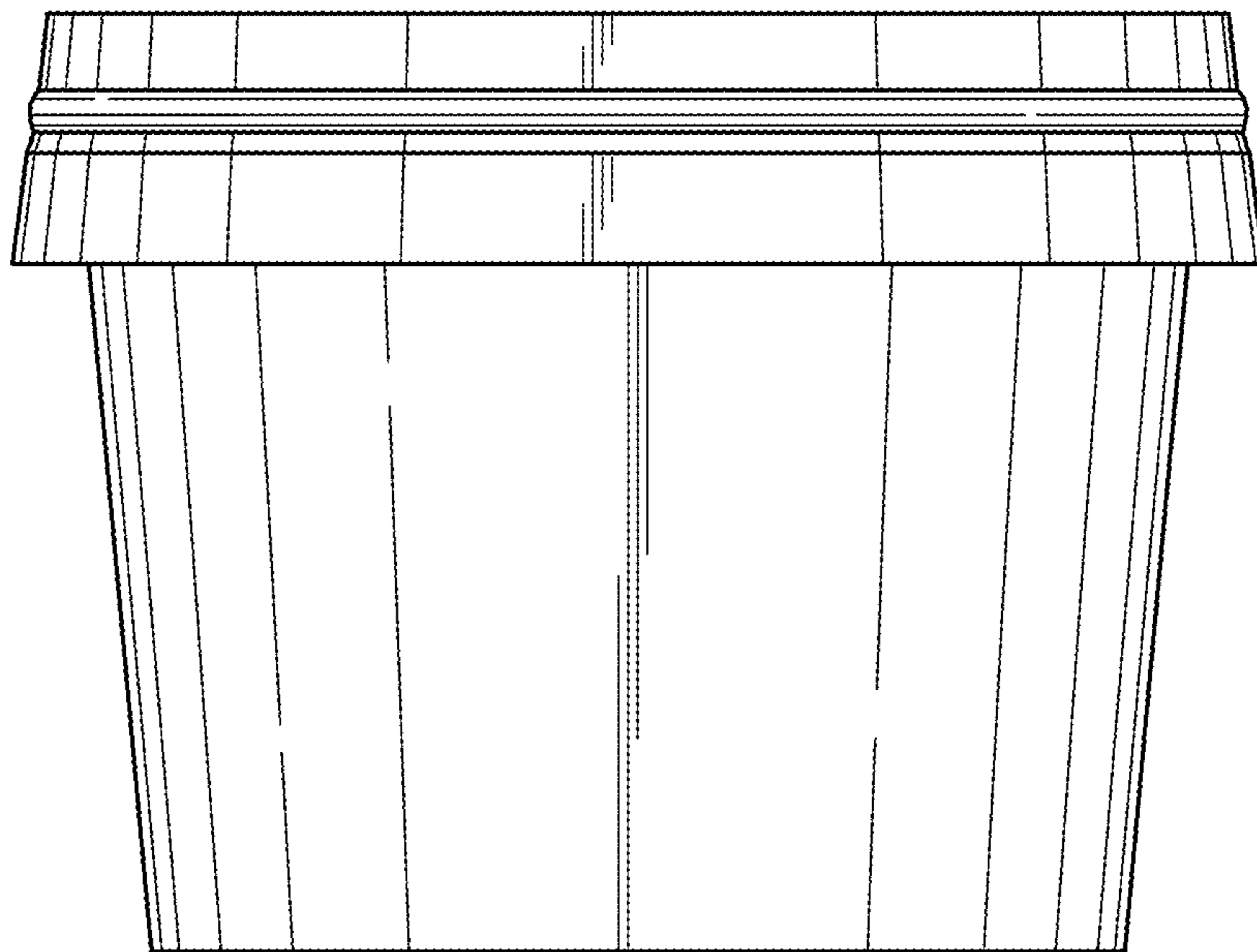
**1 Claim, 5 Drawing Sheets**

(56) **References Cited**  
**U.S. PATENT DOCUMENTS**  
6,116,422 A \* 9/2000 Rabe ..... B65D 43/0212  
206/459.5  
D470,768 S \* 2/2003 Melhede ..... D9/428  
D632,559 S \* 2/2011 Georgiadis ..... D9/424  
D679,991 S \* 4/2013 Hudson ..... D9/428  
D706,131 S \* 6/2014 Brooks ..... D9/428

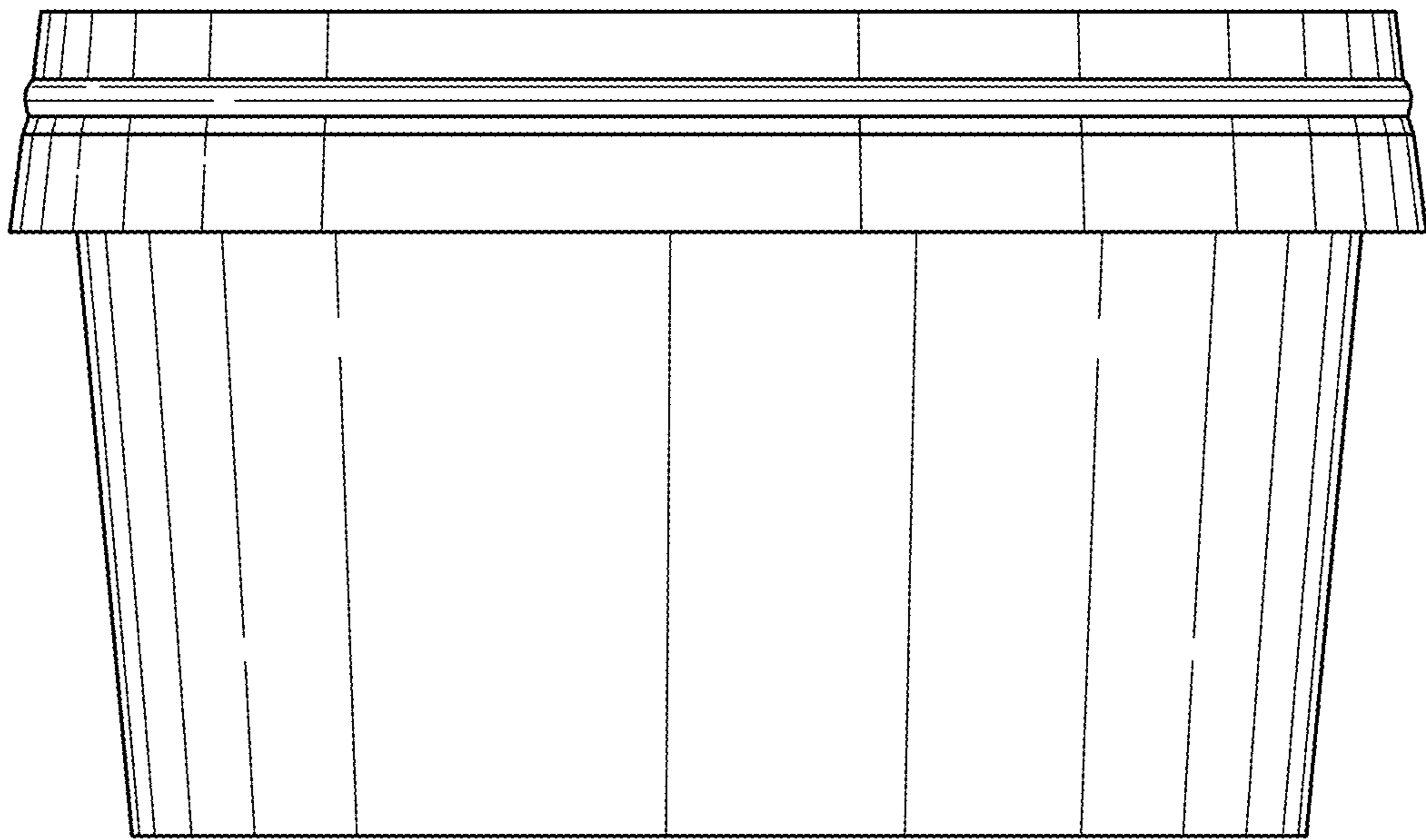




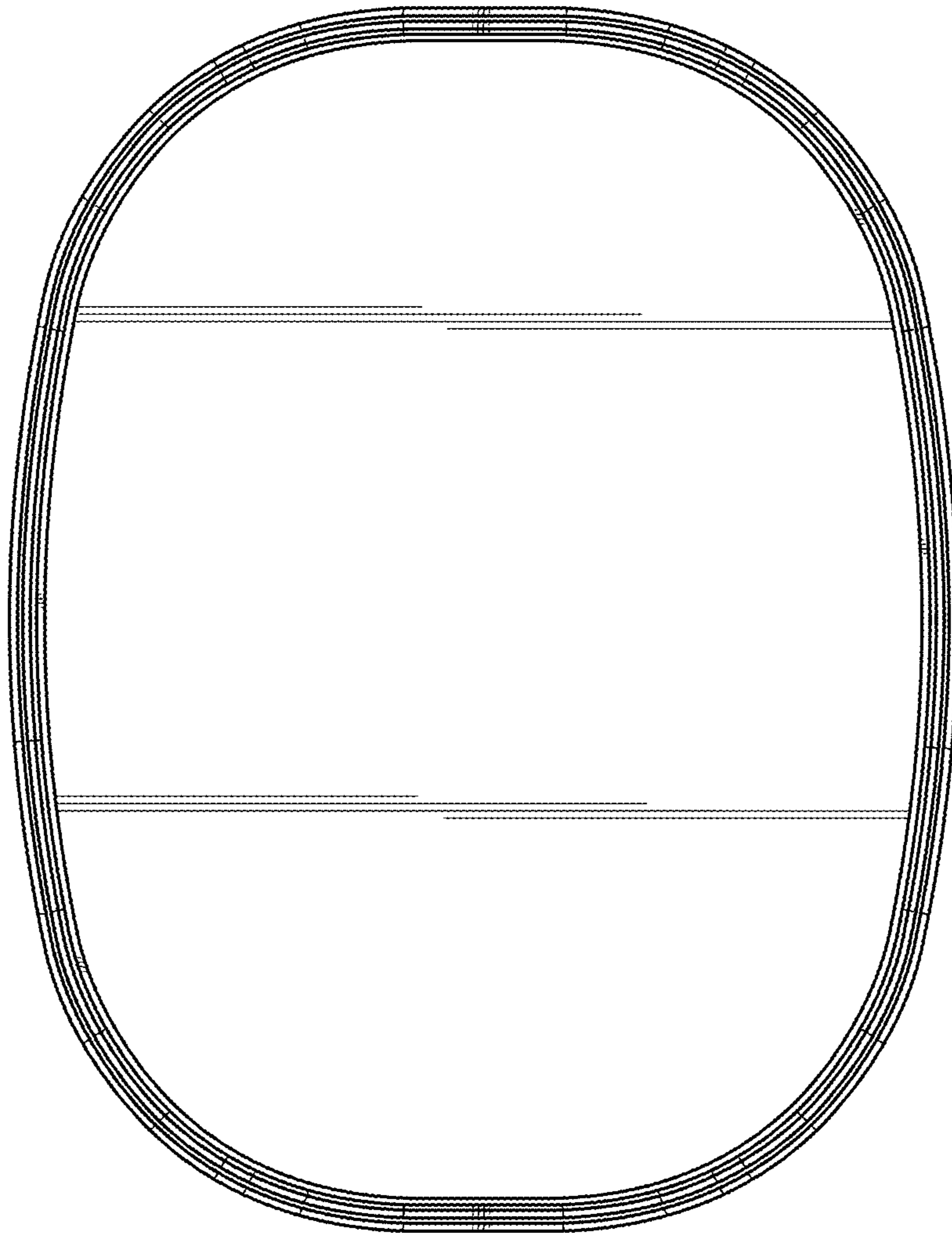
**FIG. 1**



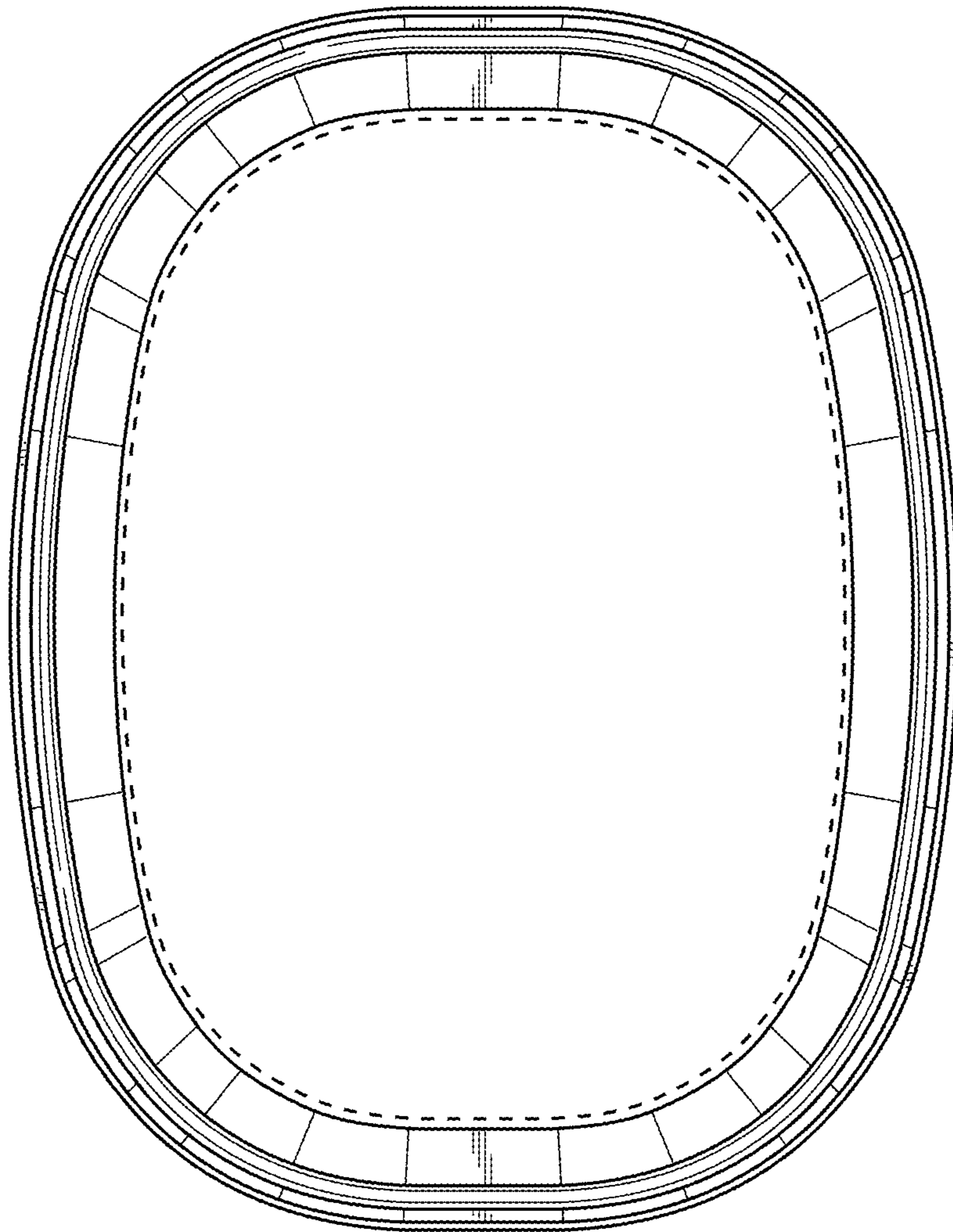
**FIG. 2**



**FIG. 3**



**FIG. 4**



**FIG. 5**