



US00D919428S

(12) **United States Design Patent** (10) **Patent No.:** **US D919,428 S**
Shah (45) **Date of Patent:** **** May 18, 2021**

(54) **CONTAINER**

(71) Applicant: **Rahul Shah**, London (GB)

(72) Inventor: **Rahul Shah**, London (GB)

(**) Term: **15 Years**

(21) Appl. No.: **29/705,368**

(22) Filed: **Sep. 11, 2019**

(51) **LOC (13) Cl.** **09-03**

(52) **U.S. Cl.**
USPC **D9/428**

(58) **Field of Classification Search**
USPC D7/400, 601, 608; D9/416, 417, 420,
D9/425-429, 430, 432, 761
CPC . B65D 1/26; B65D 1/40; B65D 5/243; B65D
81/3453; B65D 2581/34; B65D
2581/3404; B65D 2581/3456
See application file for complete search history.

(56) **References Cited**

U.S. PATENT DOCUMENTS

5,178,450	A	1/1993	Zelensky et al.	
D338,636	S *	8/1993	Moore	D11/152
D351,790	S *	10/1994	Haindl	D11/152
6,254,247	B1	7/2001	Carson	
6,271,753	B1	8/2001	Shukla	
7,976,177	B2	7/2011	Dikopf	
D648,212	S *	11/2011	Golota	D9/428
D649,871	S *	12/2011	Noer	D9/428
D649,880	S *	12/2011	Smith, III	D9/500
8,210,395	B1	7/2012	Morris	
D718,532	S *	12/2014	Wang	D3/304
D782,876	S *	4/2017	Rebmann	D7/509
9,657,155	B2 *	5/2017	O'Brien	B65D 85/8043
9,821,937	B2	11/2017	Staeben et al.	
D830,124	S *	10/2018	Krivos	D7/413
2004/0004829	A1	1/2004	Policappelli	
2005/0024858	A1	2/2005	Johnson	
2006/0139928	A1	6/2006	Griffiths et al.	

2010/0308005	A1	12/2010	Callanan	
2012/0097602	A1 *	4/2012	Tedford	B65D 65/466 210/500.1
2012/0134143	A1	5/2012	Lederer et al.	
2015/0036325	A1	2/2015	Cohen	
2015/0211729	A1	7/2015	Mahlmeister et al.	

FOREIGN PATENT DOCUMENTS

CN	107336906	A	11/2017
DE	20 2010 015 591		3/2011
FR	3 008 961	A1	1/2015
WO	2015003331	A1	1/2015

* cited by examiner

Primary Examiner — Janice Patyk

(74) *Attorney, Agent, or Firm* — Lambert Shortell & Connaughton; Gary E. Lambert; David J. Connaughton, Jr.

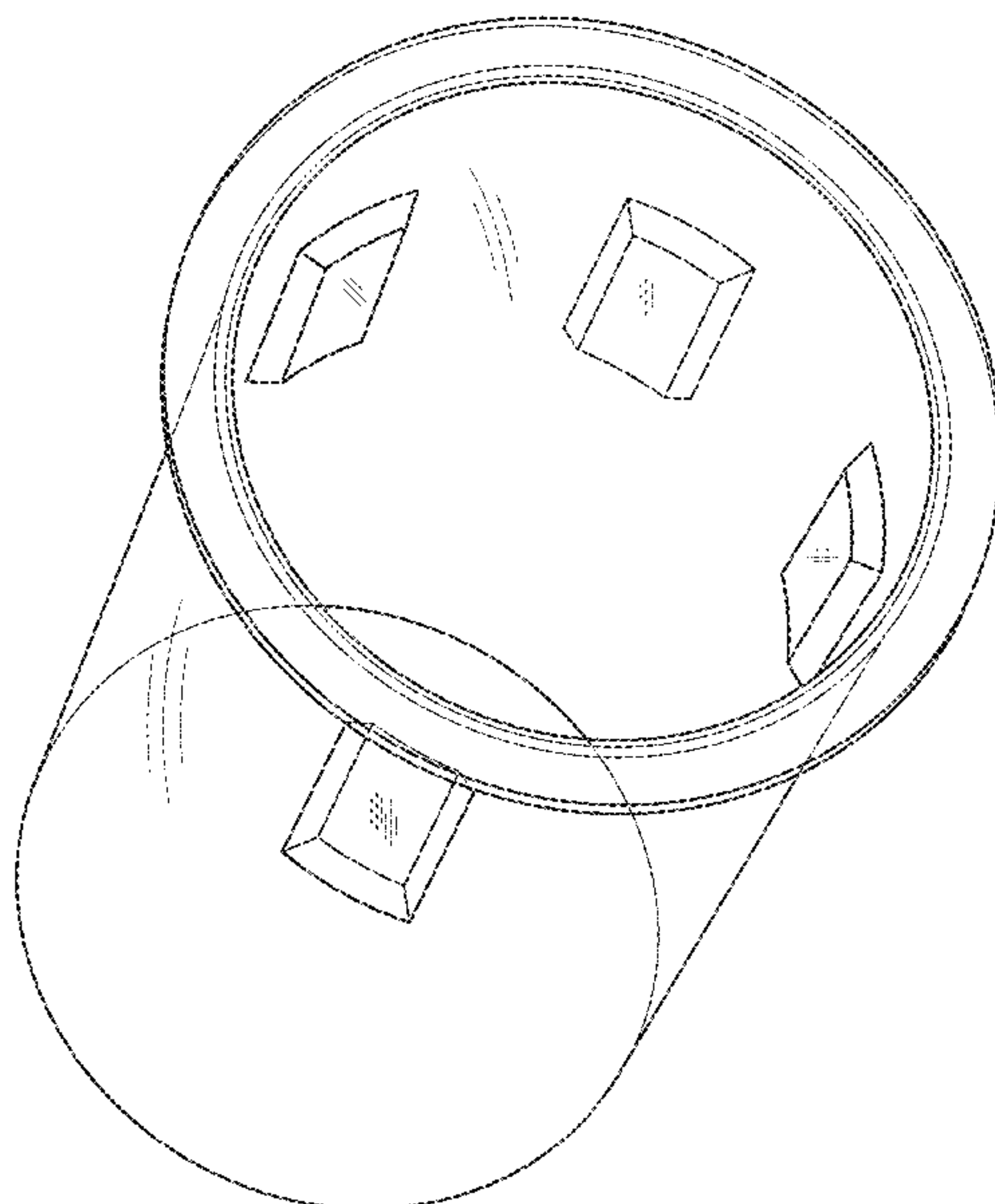
(57) **CLAIM**

The ornamental design for a container, as shown and described.

DESCRIPTION

FIG. 1 is a top, front perspective view of a container, showing my new design;
FIG. 2 is a top, rear perspective view thereof;
FIG. 3 is a left side view thereof;
FIG. 4 is a right side view thereof;
FIG. 5 is a front view thereof;
FIG. 6 is a rear view thereof;
FIG. 7 is a top view thereof;
FIG. 8 is a bottom view thereof; and,
FIG. 9 is a top perspective view thereof, shown in environmental use.
The broken lines outer container in FIG. 9 illustrates an environmental subject matter that forms no part of the claimed design.

1 Claim, 6 Drawing Sheets



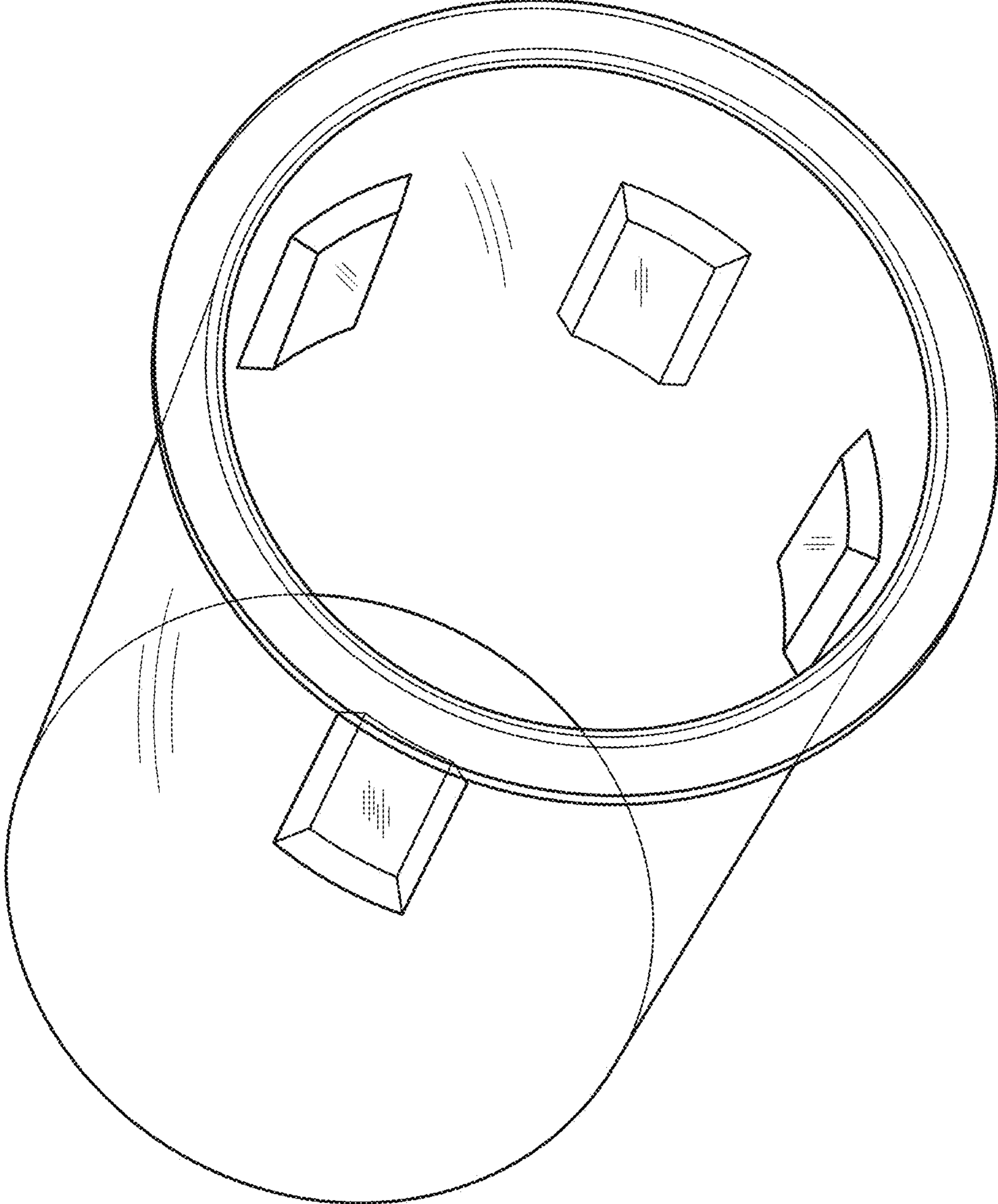


Fig. 1

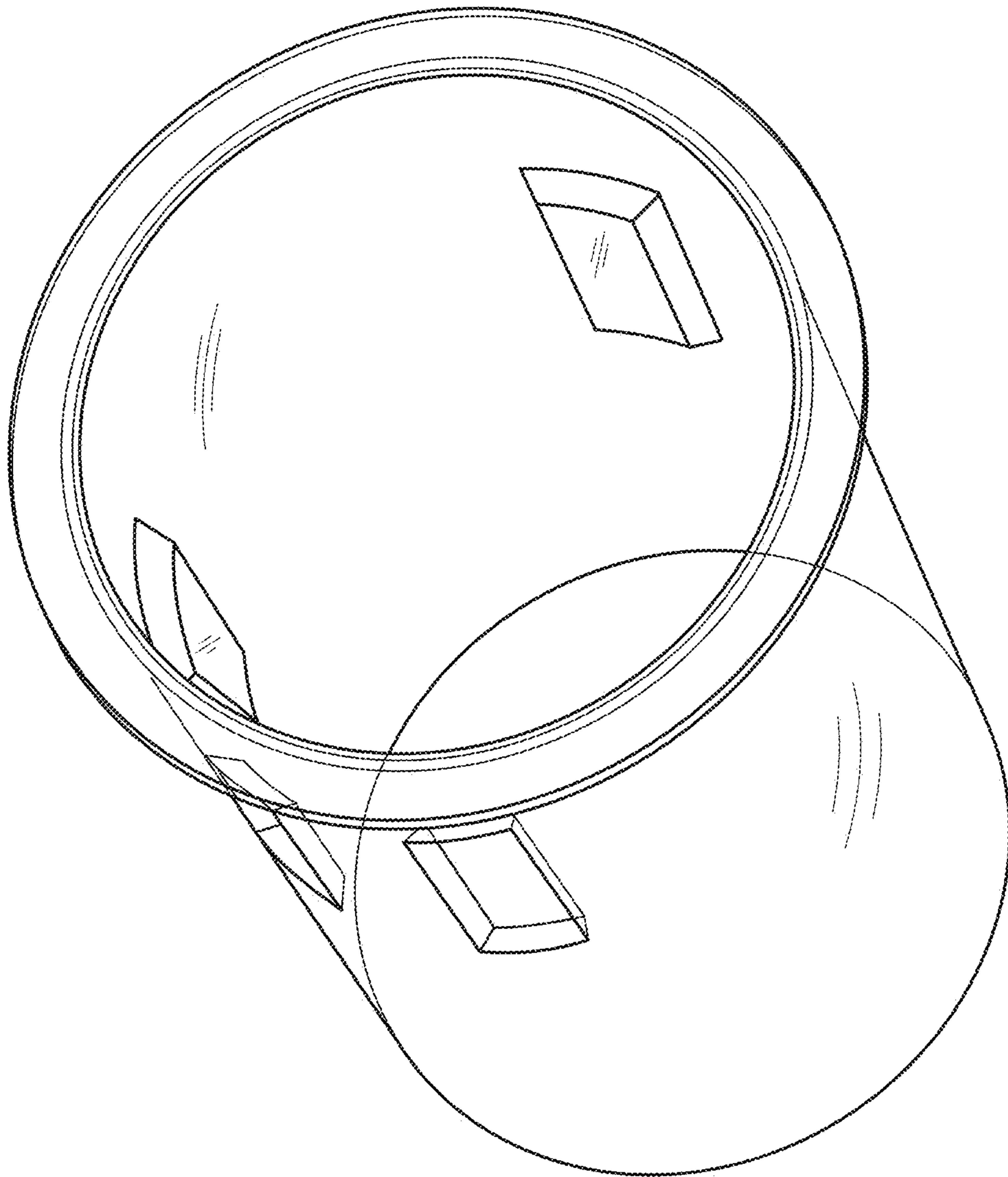


Fig. 2

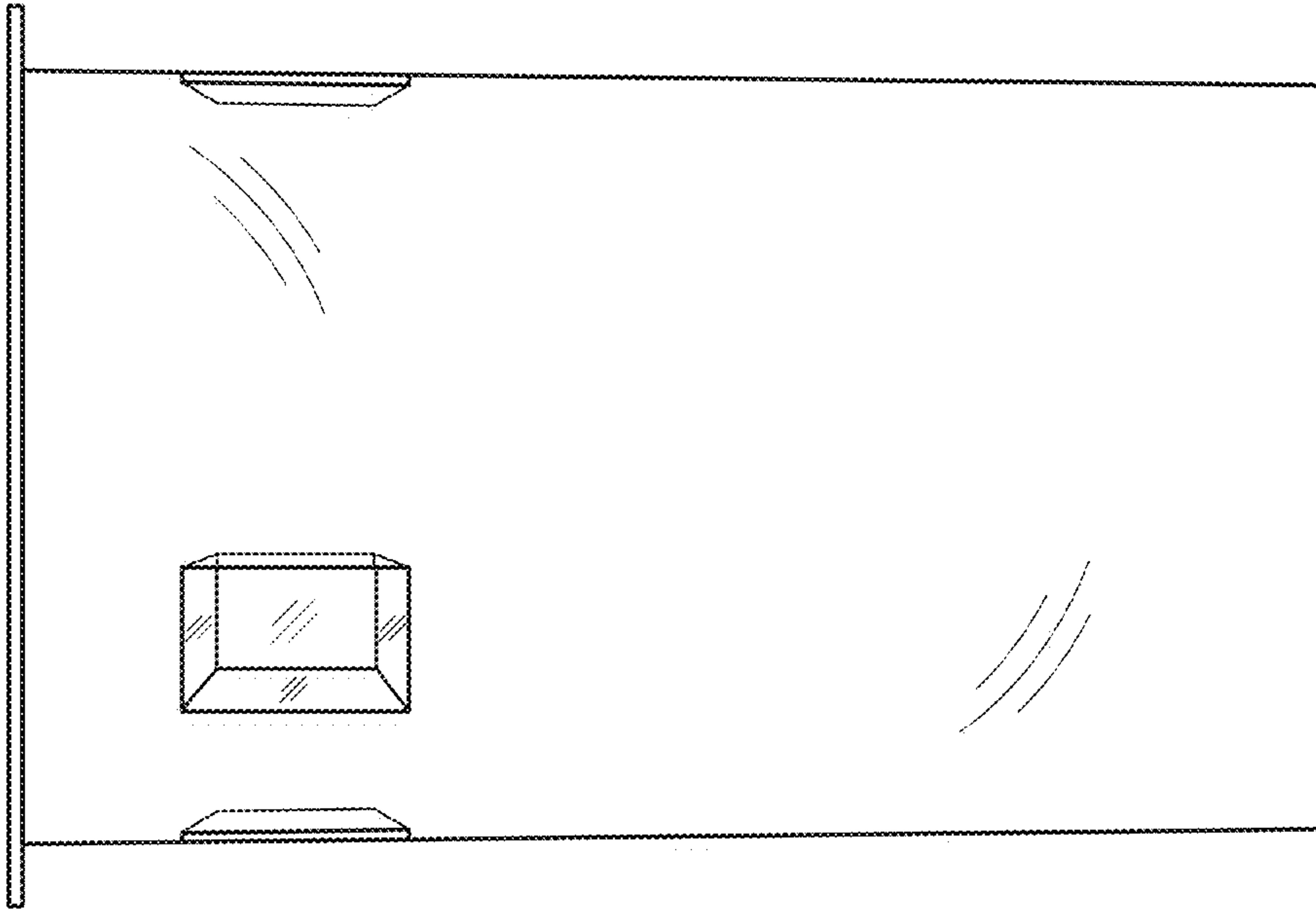


Fig. 4

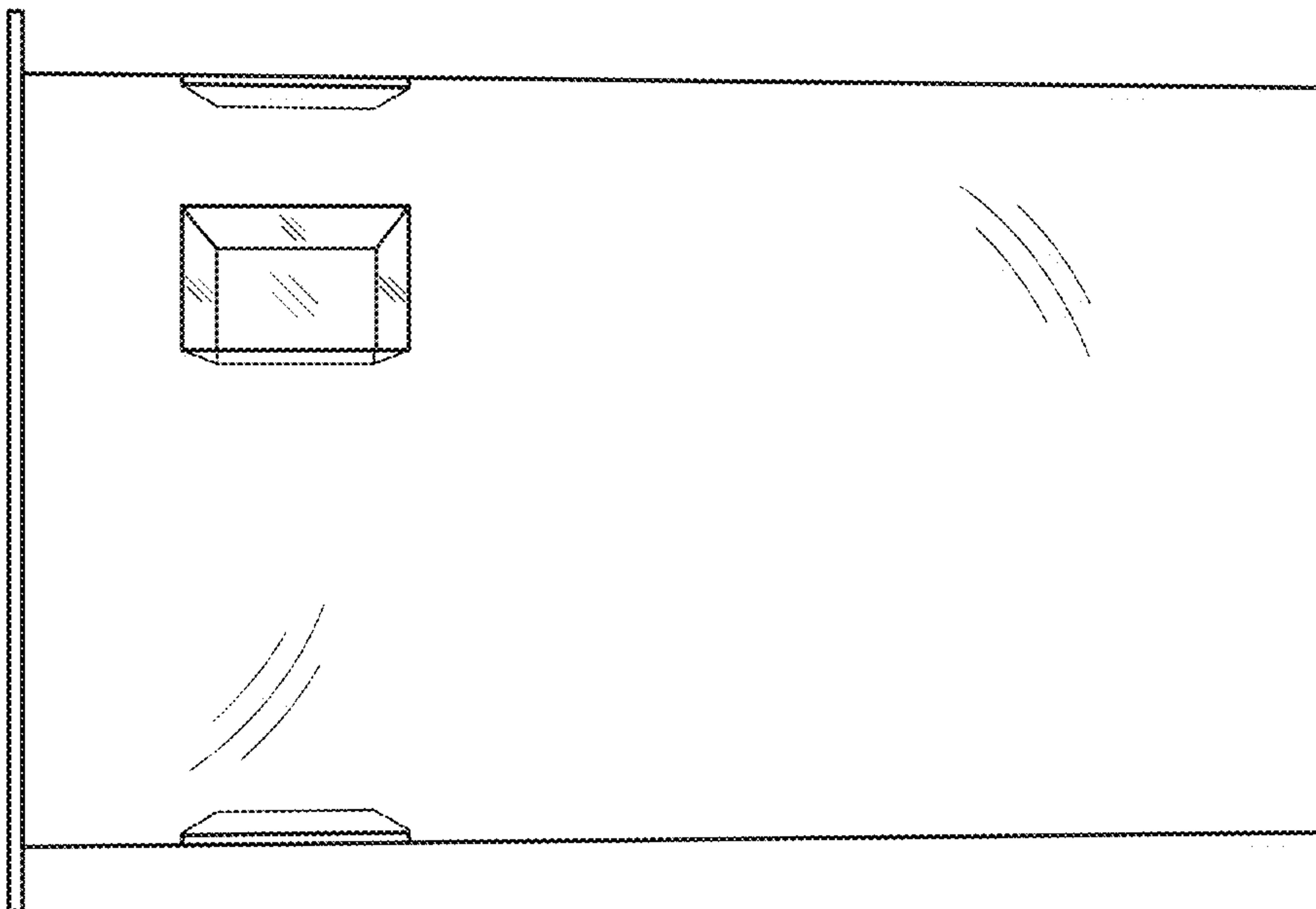


Fig. 3

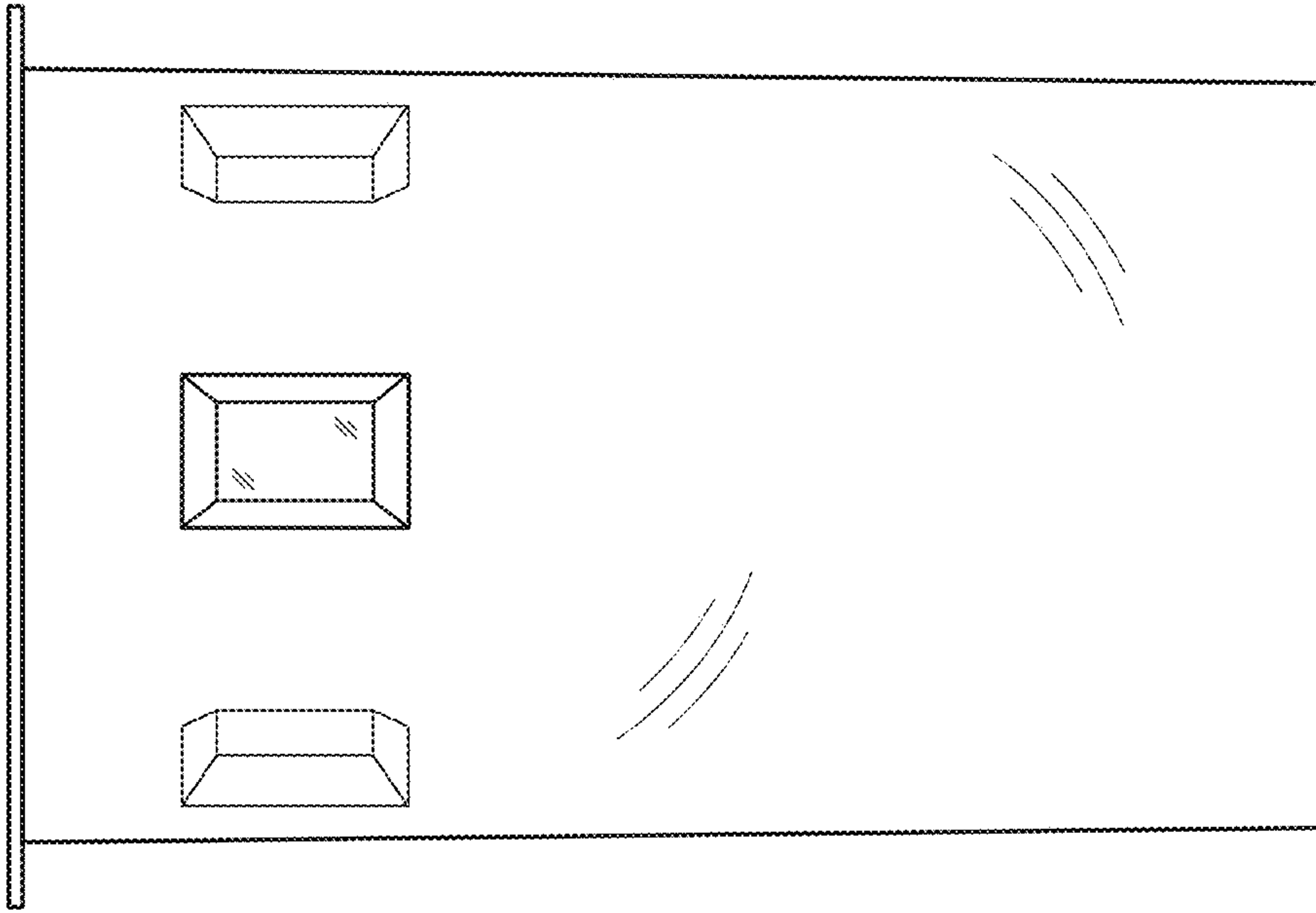


Fig. 6

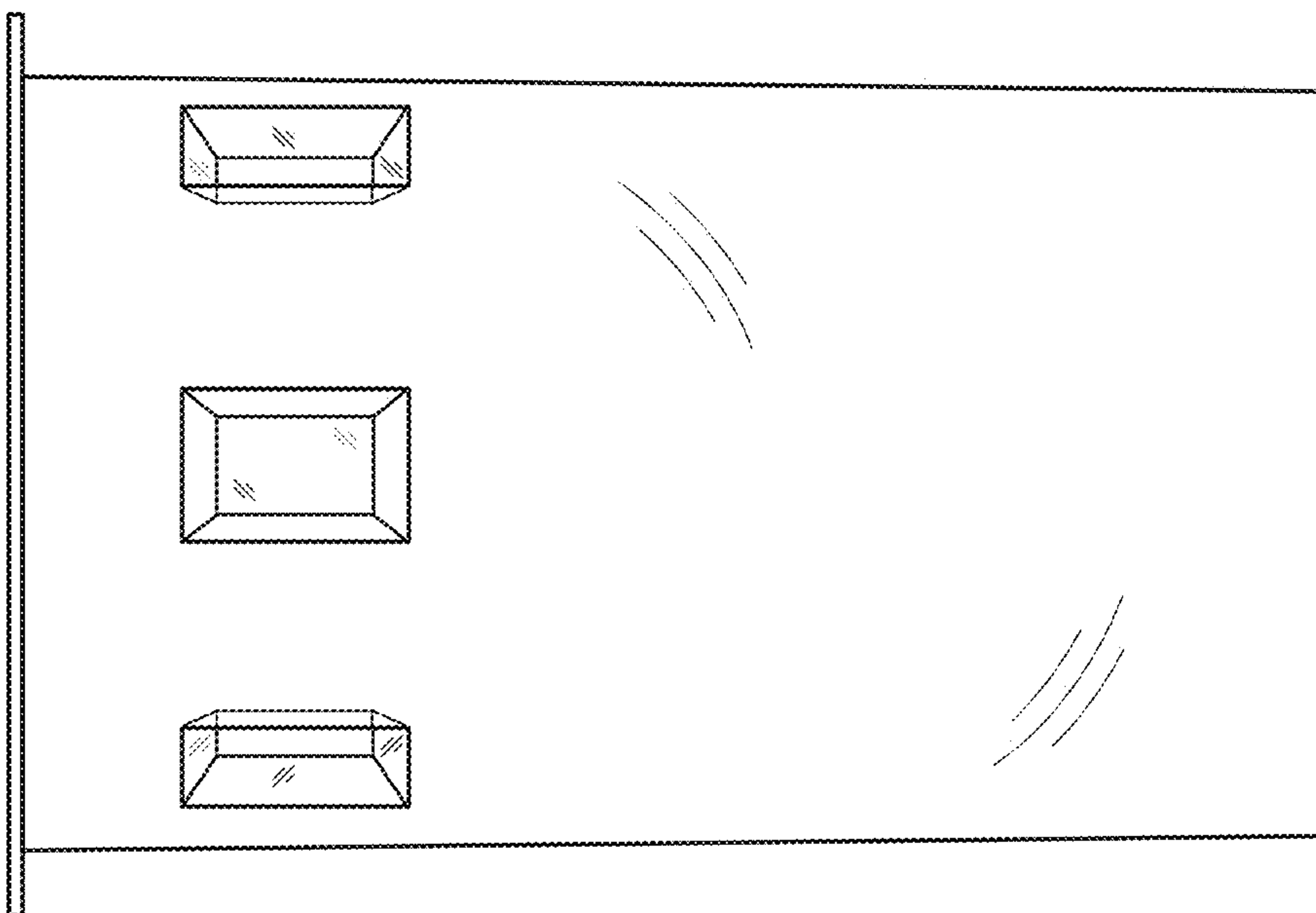


Fig. 5

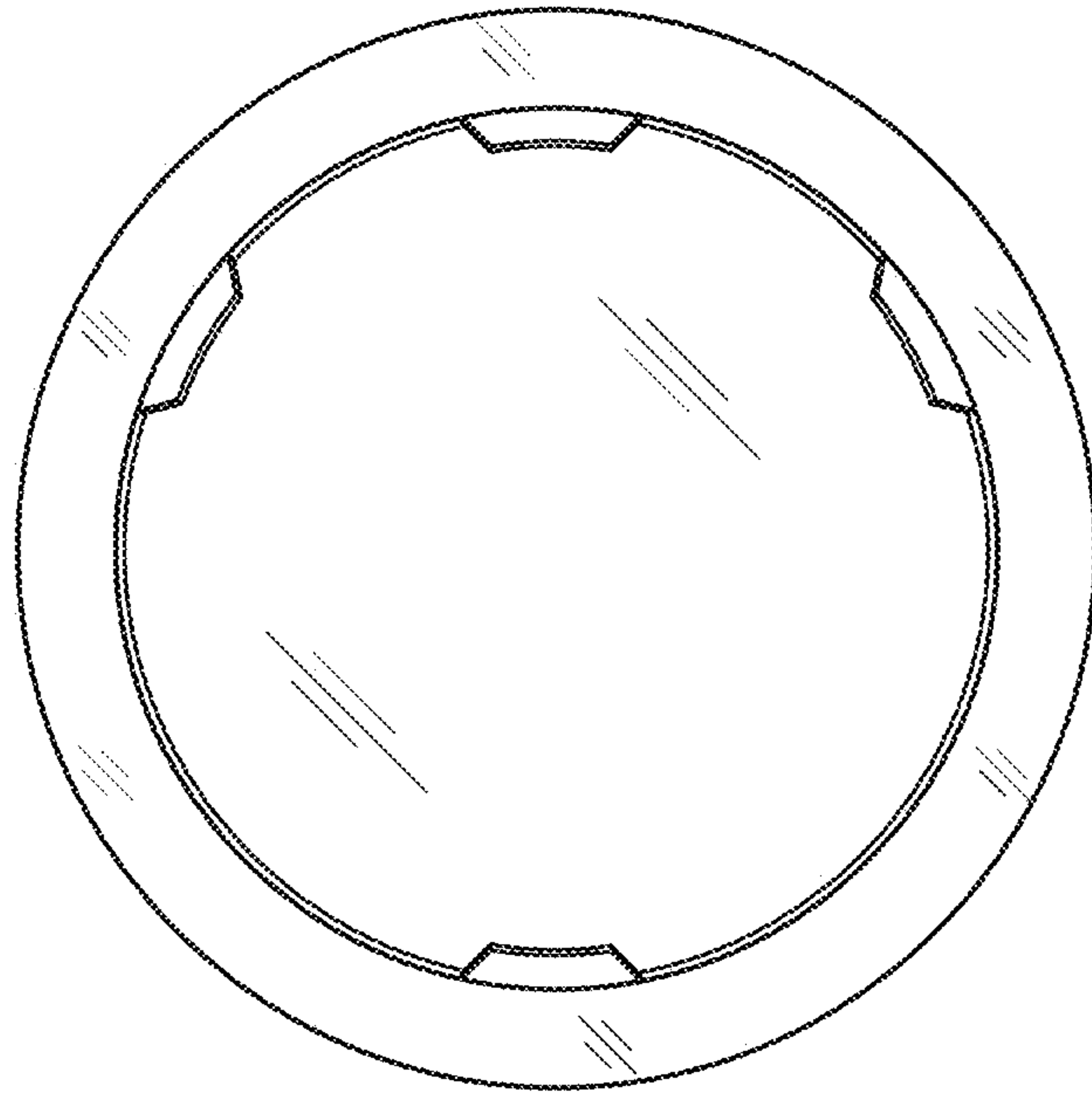


Fig. 7

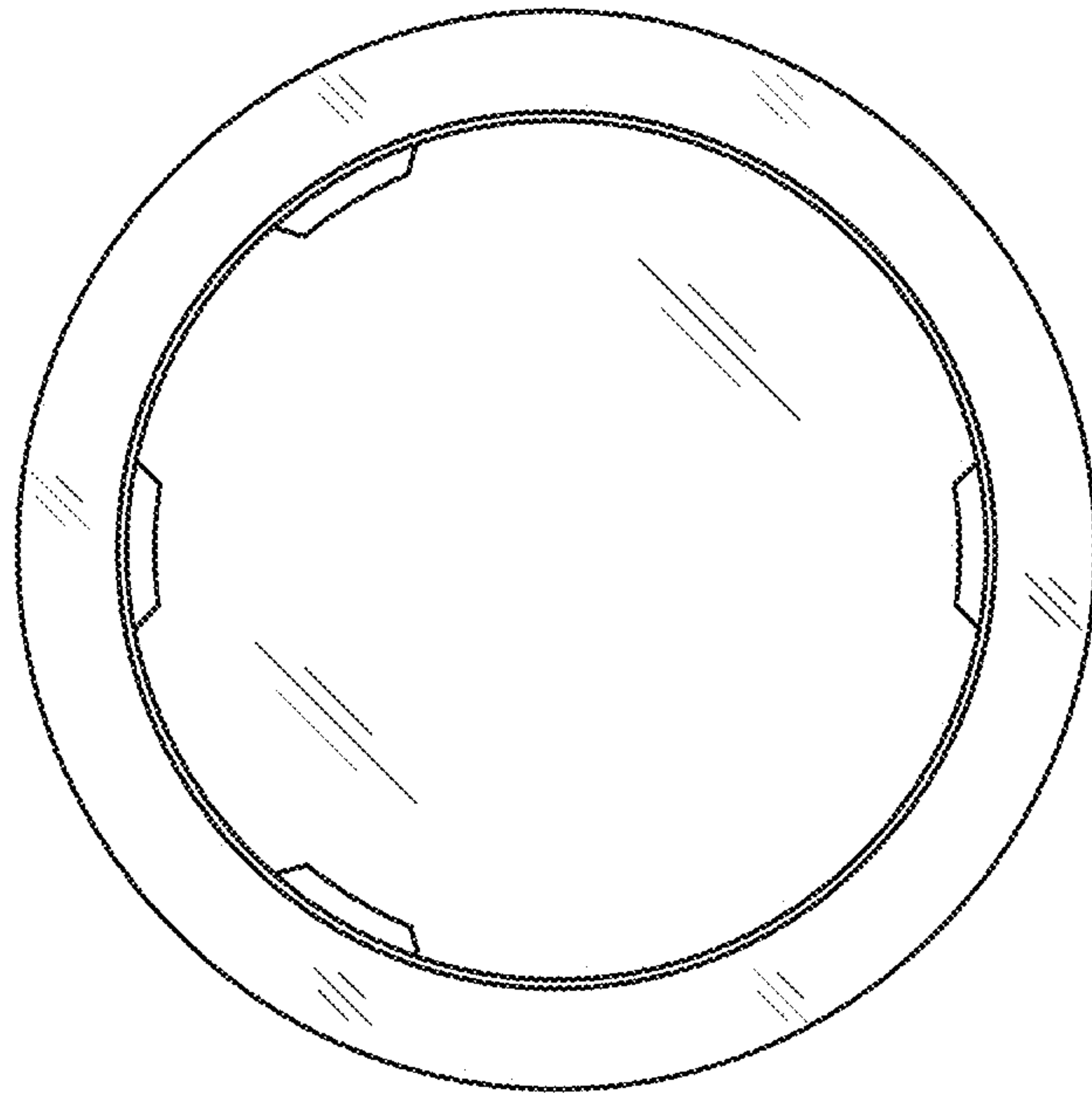


Fig. 8

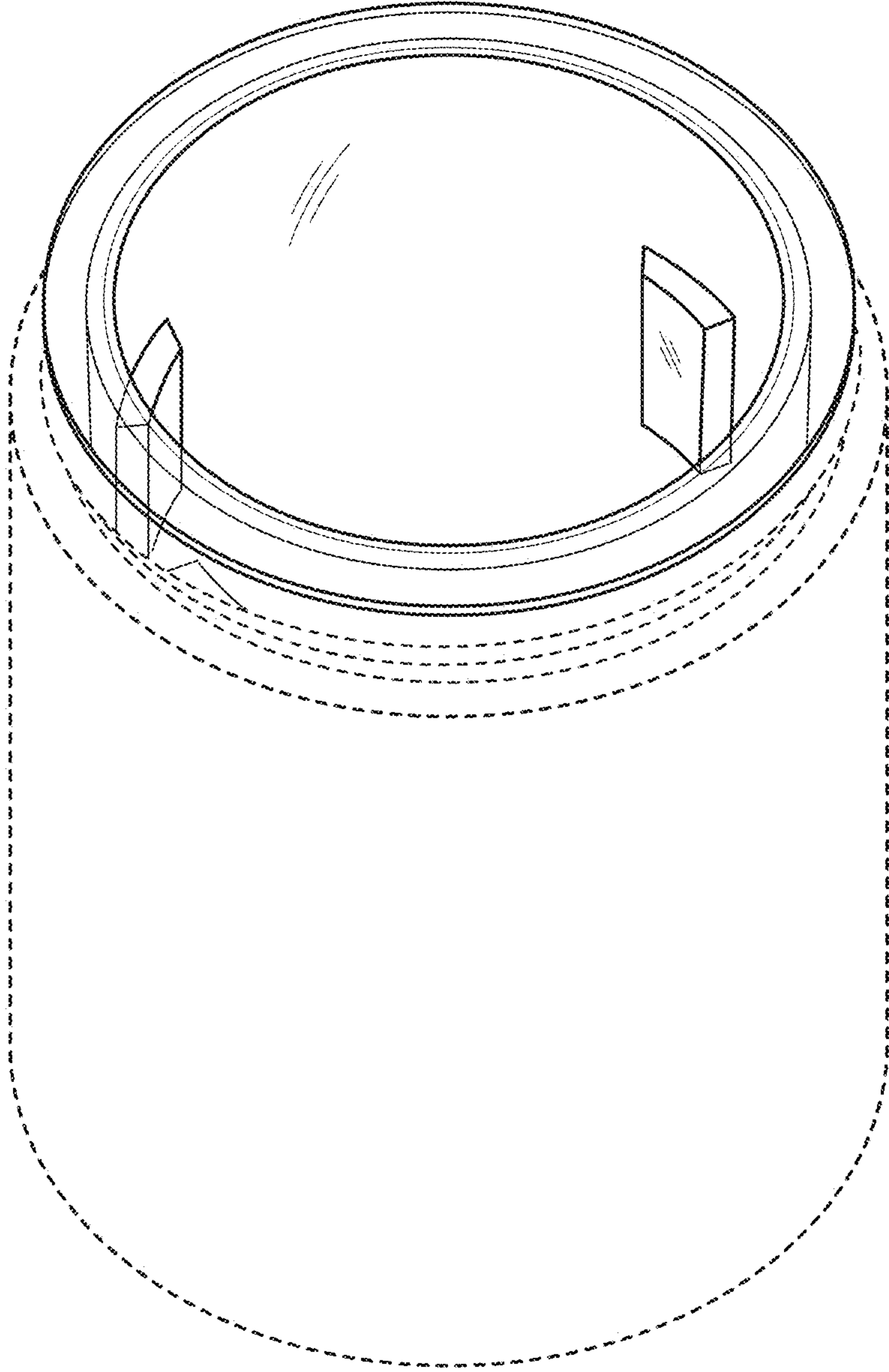


Fig. 9