



US00D919426S

(12) **United States Design Patent** (10) **Patent No.:** **US D919,426 S**
Guill et al. (45) **Date of Patent:** **** May 18, 2021**

(54) **TRAY WITH LID**

(56) **References Cited**

(71) Applicant: **Pure Packaging LLC**, Penfield, NY (US)

U.S. PATENT DOCUMENTS

(72) Inventors: **Daniel Guill**, Baltimore, MD (US);
Brian Muench, Rochester, NY (US);
Erik Rofe, Delray Beach, FL (US)

6,076,676	A *	6/2000	Dahl	B65D 75/366 206/467
D615,859	S *	5/2010	Barbier	D9/425
D708,942	S *	7/2014	Snedden	D9/435
D748,469	S *	2/2016	Snedden	D9/425
D794,020	S *	8/2017	Homza	D14/358
D840,840	S *	2/2019	Appendini	D9/759
D840,841	S *	2/2019	Appendini	D9/759
D886,587	S *	6/2020	Brown	D9/425
2009/0045190	A1 *	2/2009	Gutierrez	H05B 6/64 219/730
2018/0016066	A1 *	1/2018	Strachan	B65D 51/1611

(73) Assignee: **Pure Packaging LLC**, Penfield, NY (US)

(**) Term: **15 Years**

* cited by examiner

(21) Appl. No.: **29/739,189**

Primary Examiner — Janice Patyk
(74) *Attorney, Agent, or Firm* — Phillips Lytle LLP;
David L. Principe

(22) Filed: **Jun. 23, 2020**

Related U.S. Application Data

(57) **CLAIM**

(62) Division of application No. 29/684,902, filed on Mar. 25, 2019, now Pat. No. Des. 896,070.

The ornamental design for a tray with lid, as shown and described.

(51) **LOC (13) Cl.** **09-03**

DESCRIPTION

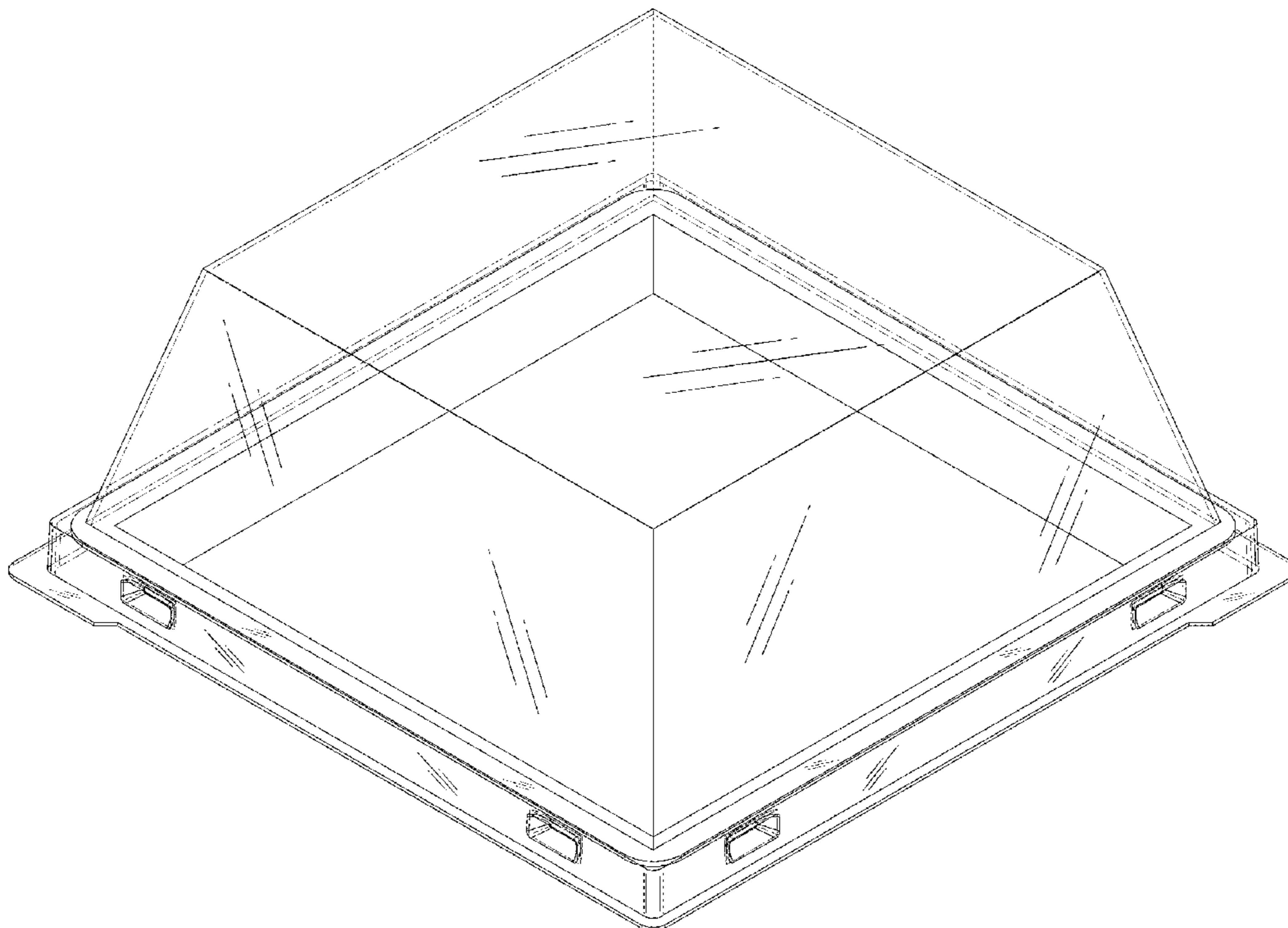
(52) **U.S. Cl.**
USPC **D9/425**

(58) **Field of Classification Search**
USPC D7/400, 601, 608; D9/416, 417, 420,
D9/425-429, 430, 432, 761
CPC . B65D 1/26; B65D 1/40; B65D 5/243; B65D
81/3453; B65D 2581/34; B65D
2581/3404; B65D 2581/3456

FIG. 1 is a top perspective view of a tray with lid, showing our new design;
FIG. 2 is a bottom perspective view thereof;
FIG. 3 is a top plan view thereof;
FIG. 4 is a bottom plan view thereof;
FIG. 5 is a left side elevation view thereof, the right side elevation view being a mirror image thereof; and,
FIG. 6 is a front elevation view thereof, the rear elevation view being a mirror image thereof.

See application file for complete search history.

1 Claim, 6 Drawing Sheets



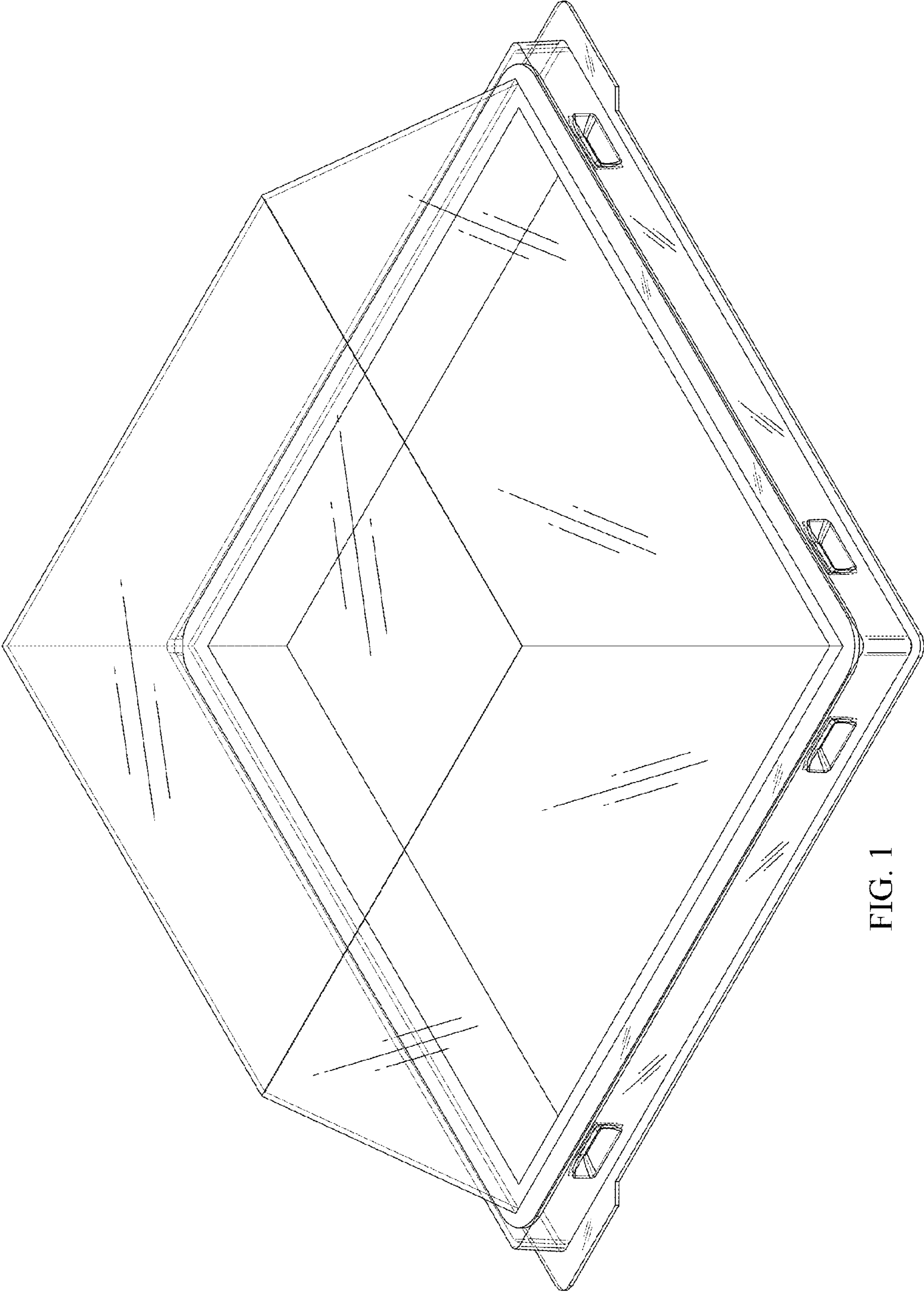


FIG. 1

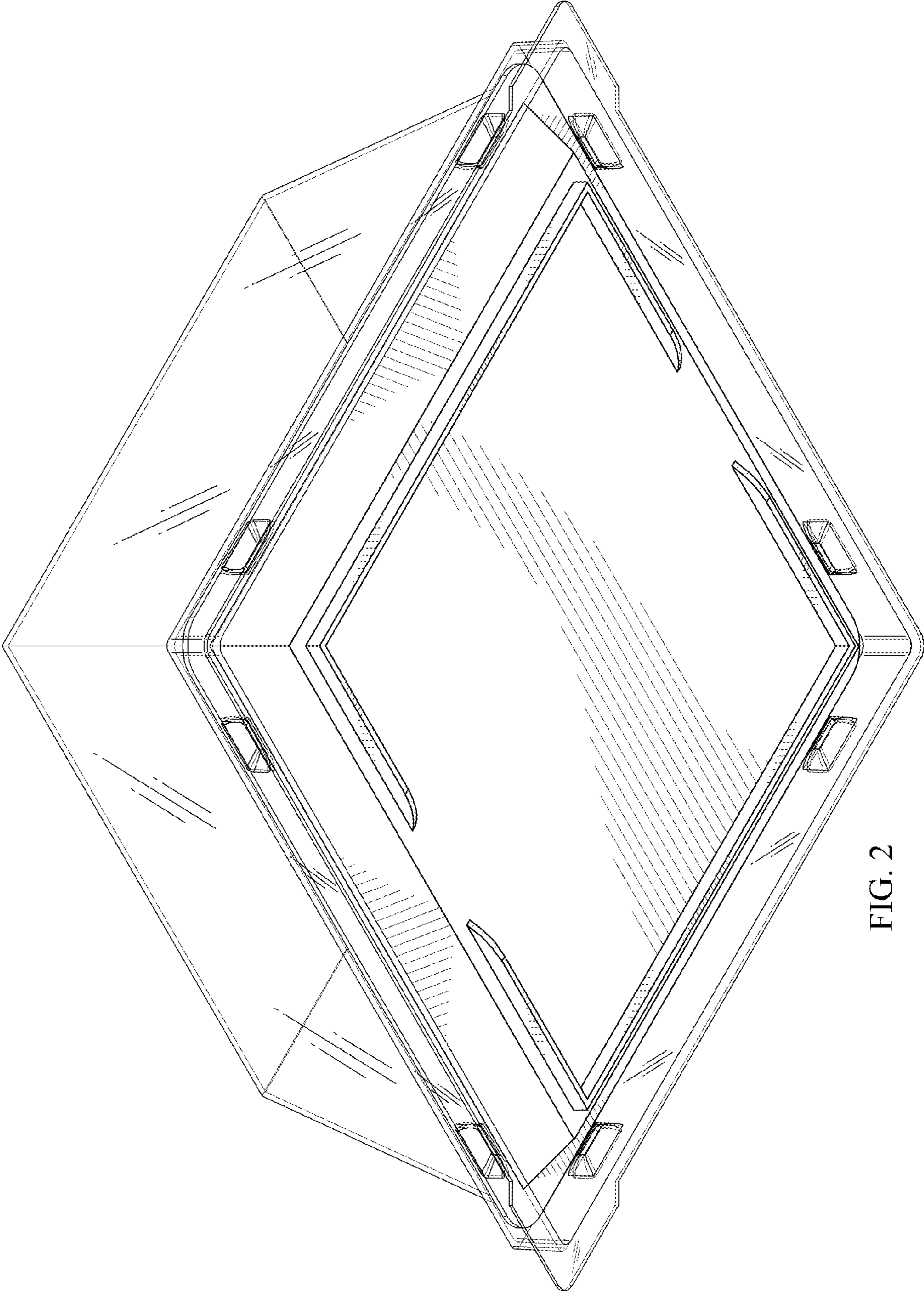


FIG. 2

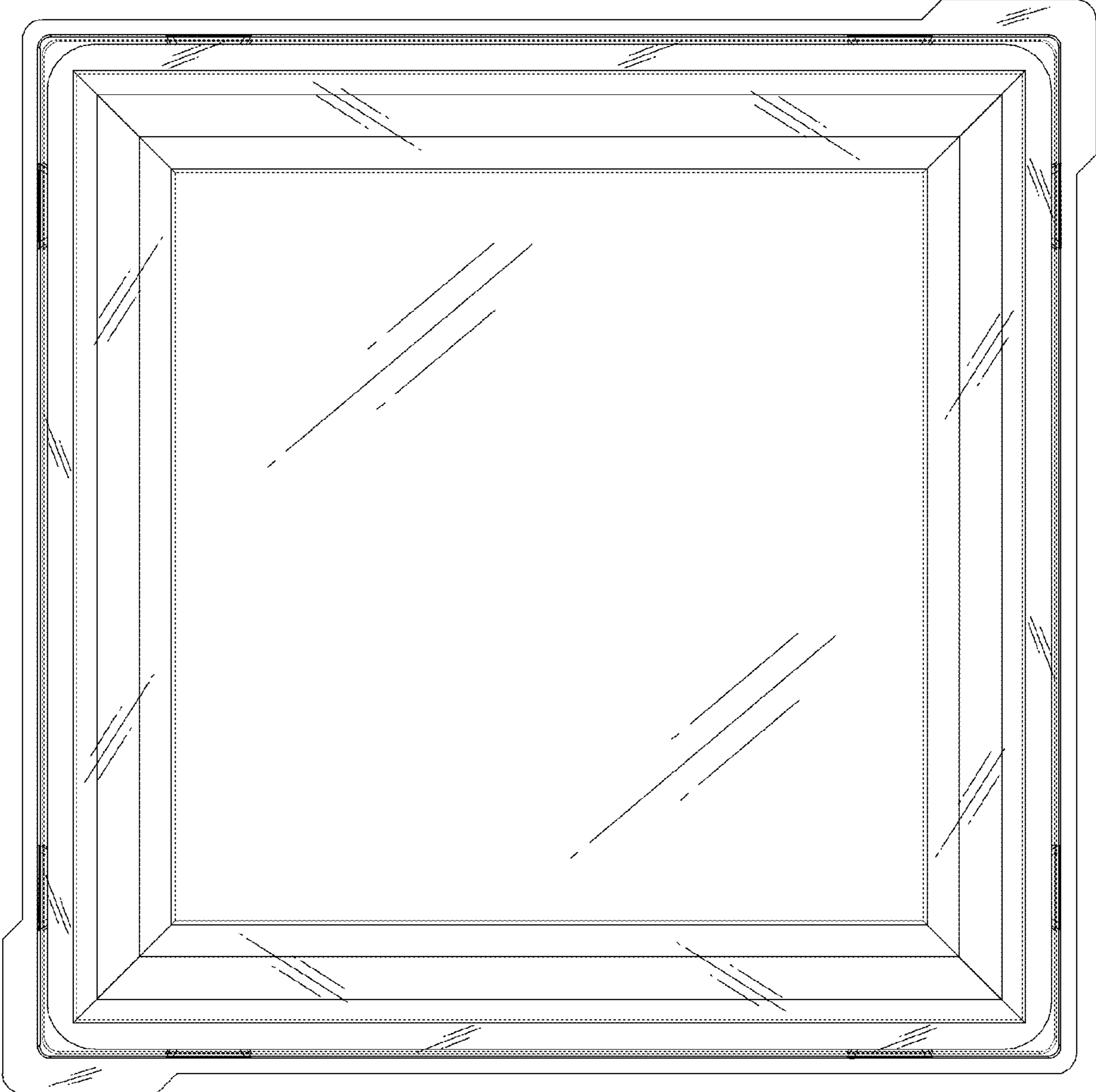


FIG. 3

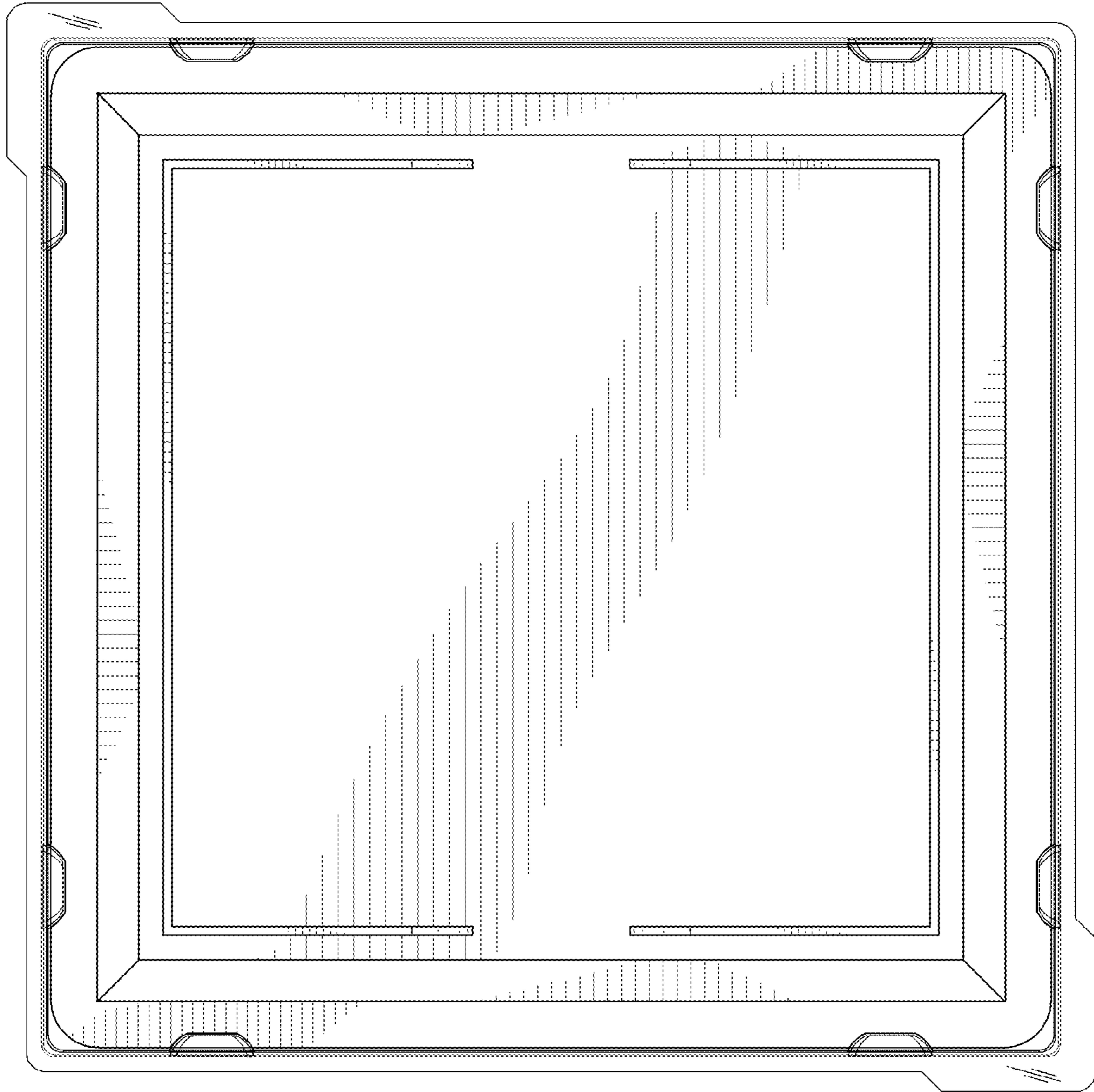


FIG. 4

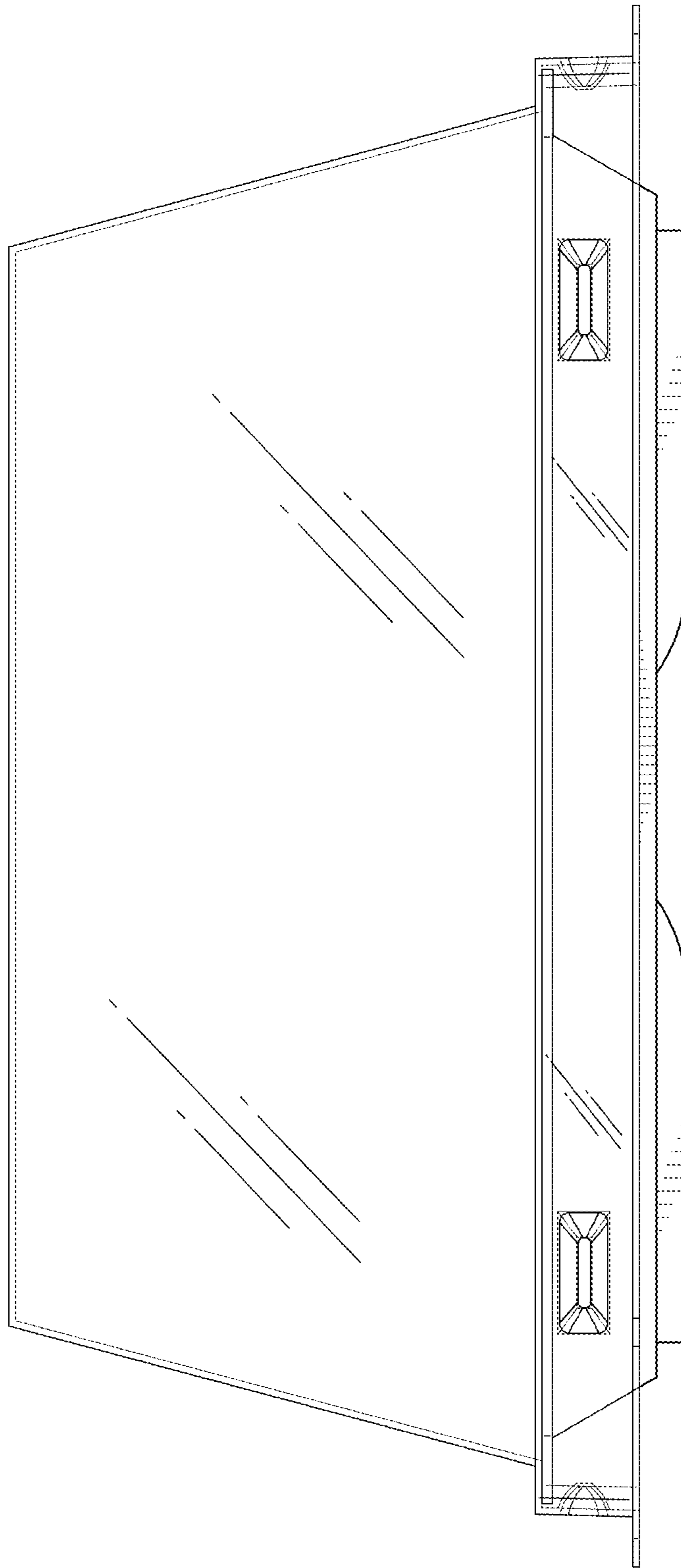


FIG. 5

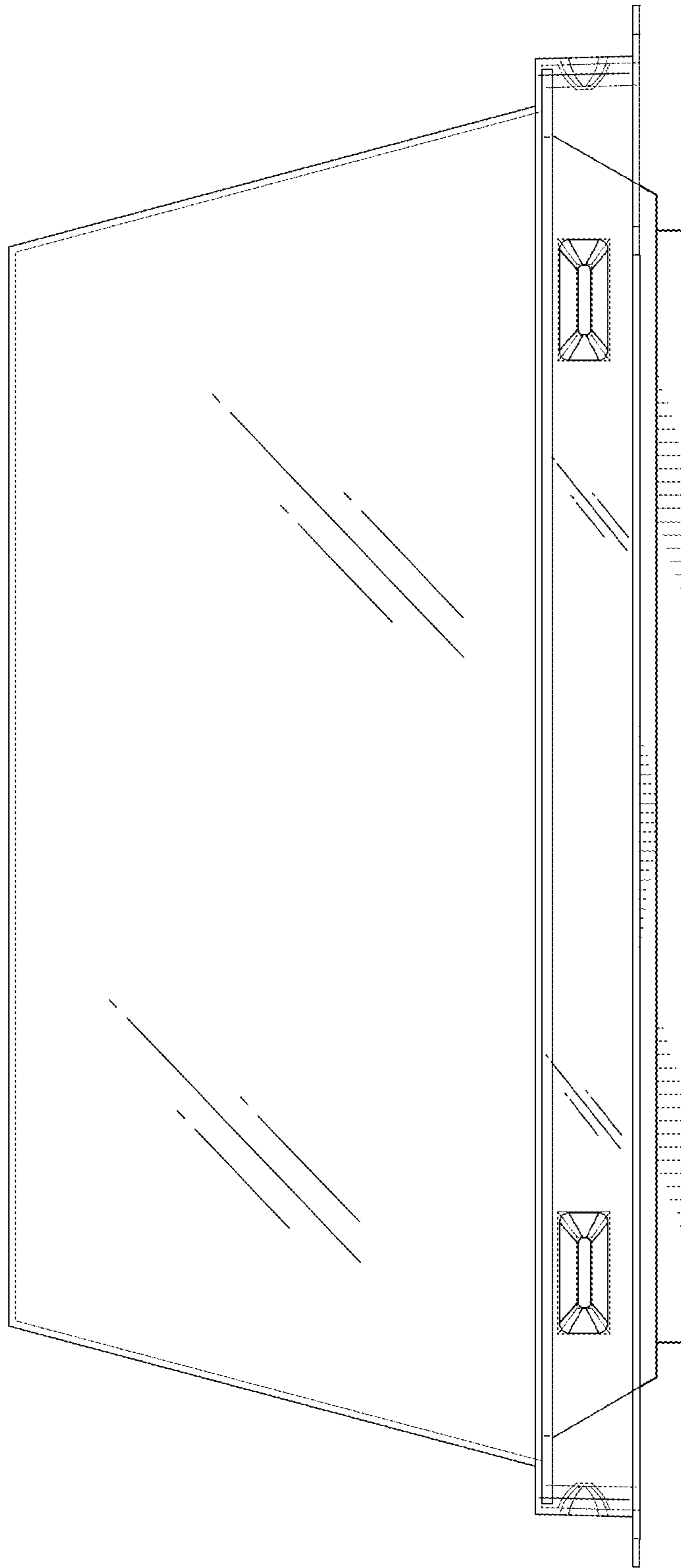


FIG. 6