



US00D919425S

(12) **United States Design Patent**
Harvey et al.

(10) **Patent No.:** **US D919,425 S**

(45) **Date of Patent:** **** May 18, 2021**

(54) **CONTAINER**

(71) Applicant: **Roche Diabetes Care, Inc.,**
Indianapolis, IN (US)

(72) Inventors: **Ernest Graeme Harvey**, Avon, IN
(US); **Michel Cadio**, Indianapolis, IN
(US)

(73) Assignee: **Roche Diabetes Care, Inc.,**
Indianapolis, IN (US)

(**) Term: **15 Years**

(21) Appl. No.: **29/727,182**

(22) Filed: **Mar. 9, 2020**

(51) **LOC (13) Cl.** **09-03**

(52) **U.S. Cl.**
USPC **D9/425**

(58) **Field of Classification Search**
USPC D7/601, 602; D9/420, 425–432, 737,
D9/761
CPC ... B65D 1/00; B65D 1/26; B65D 1/34; B65D
1/40; B65D 11/00; B65D 11/20; B65D
21/00; B65D 21/02; B65D 21/0209;
B65D 21/0233; B65D 81/34; B65D
81/3446; B65D 81/3453; B65D 2581/34;
B65D 2581/3404; B65D 2581/3409
See application file for complete search history.

(56) **References Cited**

U.S. PATENT DOCUMENTS

D312,968 S * 12/1990 Wolff D7/602
D469,320 S * 1/2003 Pettaweebuncha D7/629

D551,516 S * 9/2007 Kortleven D7/629
D596,857 S * 7/2009 Ahlgrim D3/307
D630,251 S * 1/2011 Cohen D19/69
D650,660 S * 12/2011 Shiffer D9/428
D653,105 S * 1/2012 Degeyter D9/425
D706,621 S * 6/2014 Tuchrelo D9/425

* cited by examiner

Primary Examiner — Janice Patyk

(74) *Attorney, Agent, or Firm* — Banner & Witcoff, Ltd.

(57) **CLAIM**

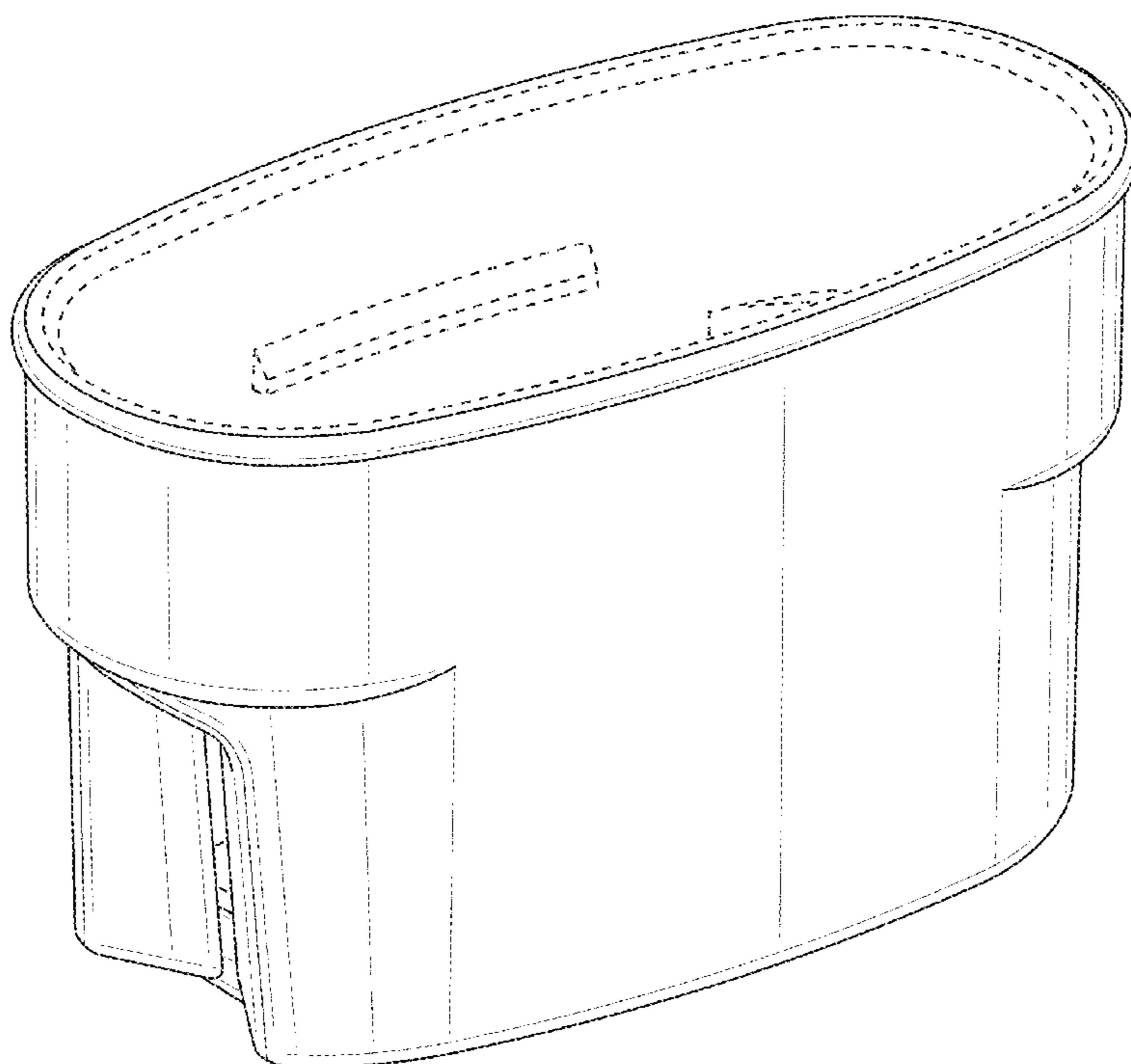
The ornamental design for a container, as shown and described.

DESCRIPTION

FIG. 1 is a top perspective view of a container showing our new design;
FIG. 2 is a bottom perspective view thereof;
FIG. 3 is a front view thereof;
FIG. 4 is a rear view thereof;
FIG. 5 is a left side view thereof;
FIG. 6 is a right side view thereof;
FIG. 7 is a top view thereof;
FIG. 8 is a bottom view thereof; and,
FIG. 9 is a cross-section view thereof, taken along line 9-9 of FIG. 7.

The broken lines in the figures illustrate the portions of the design that form no part of the claimed design.

1 Claim, 9 Drawing Sheets



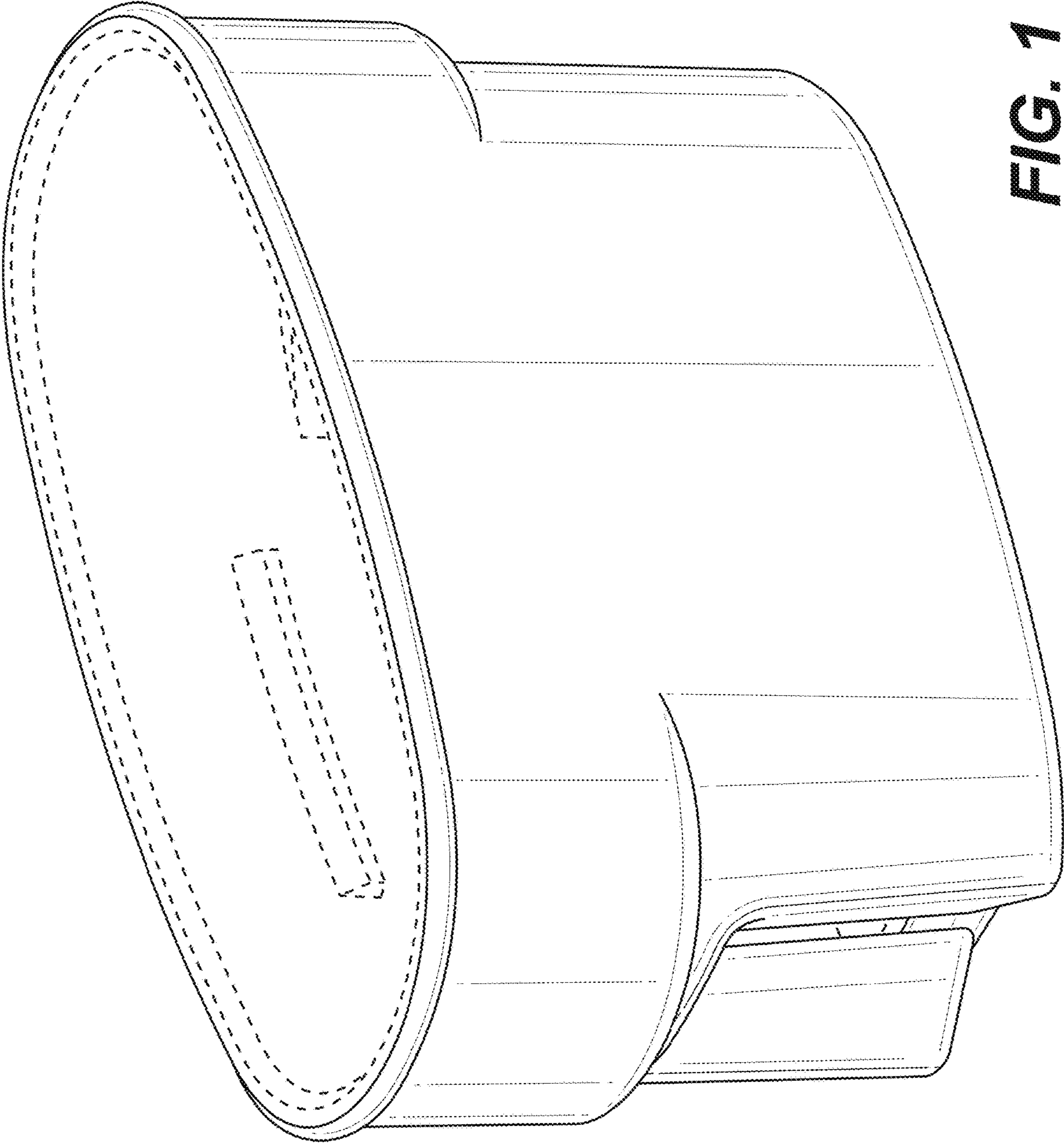


FIG. 1

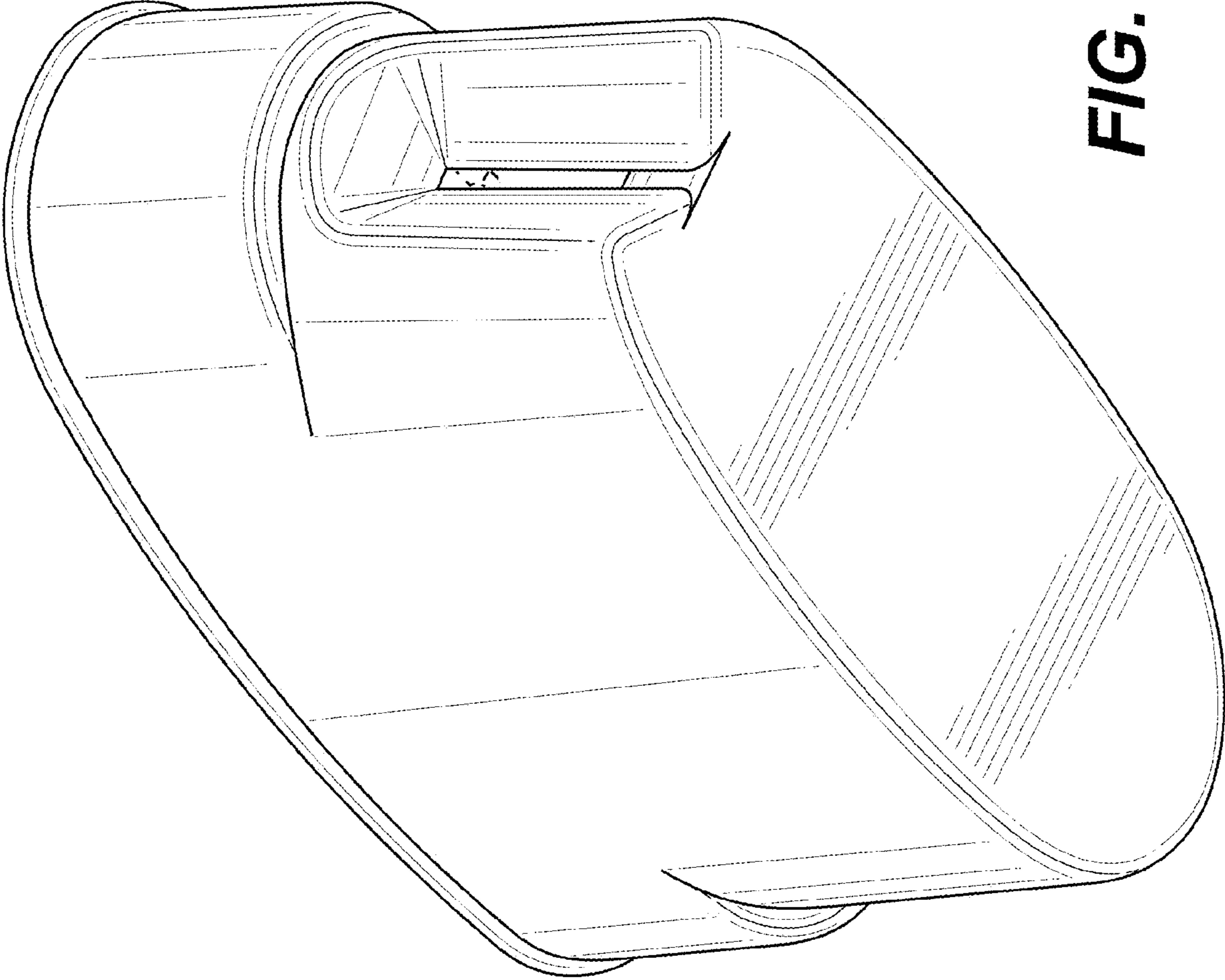


FIG. 2

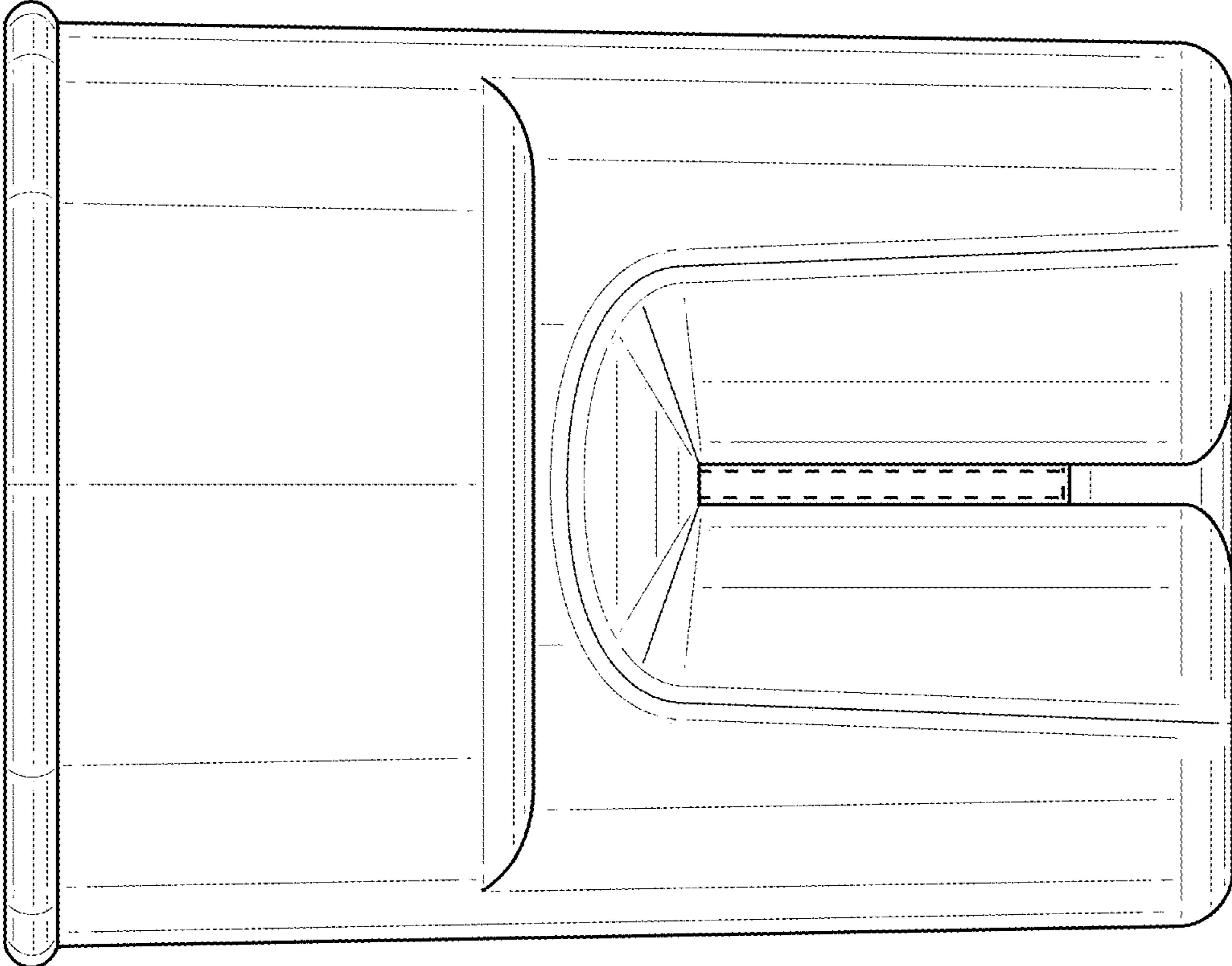


FIG. 3

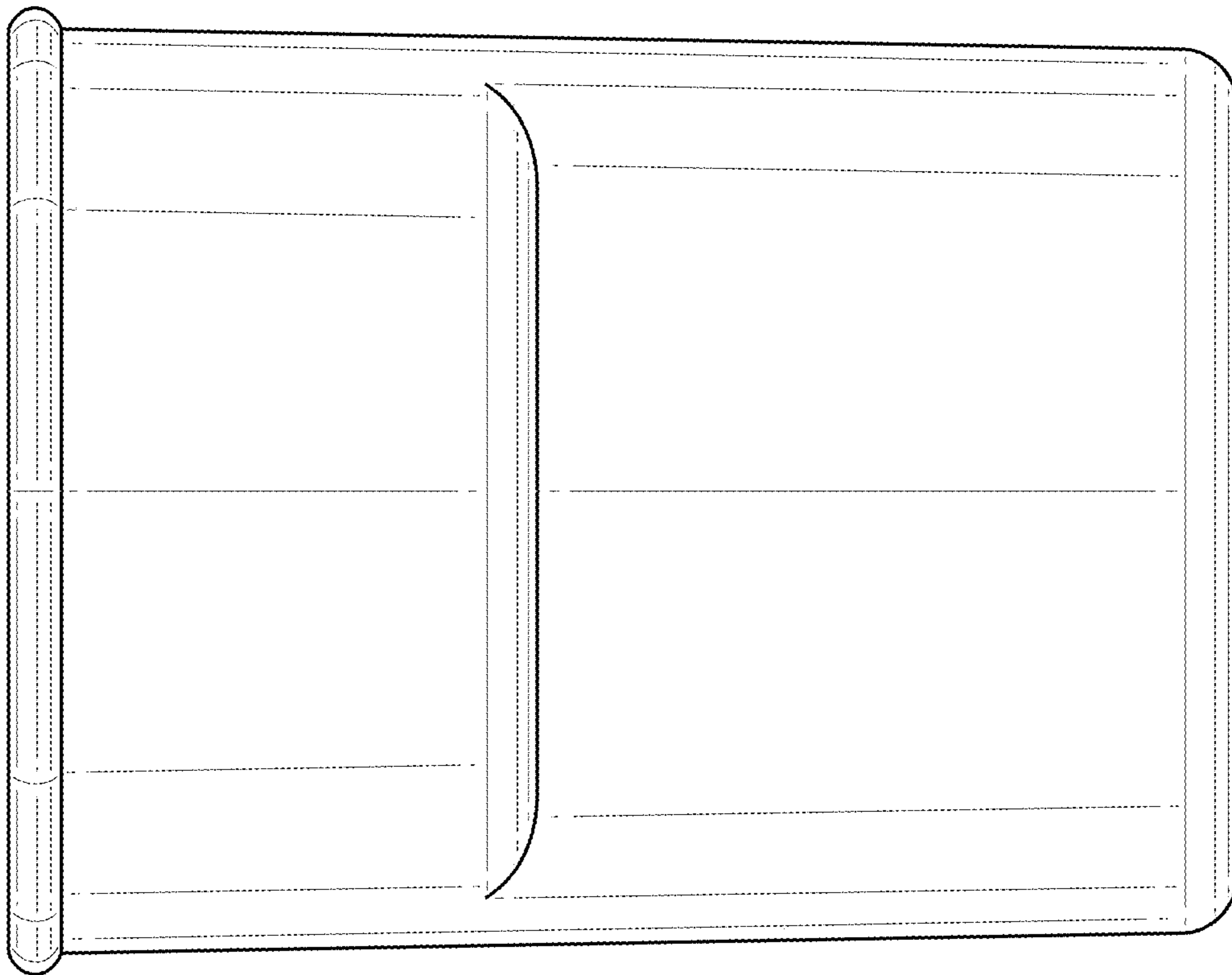


FIG. 4

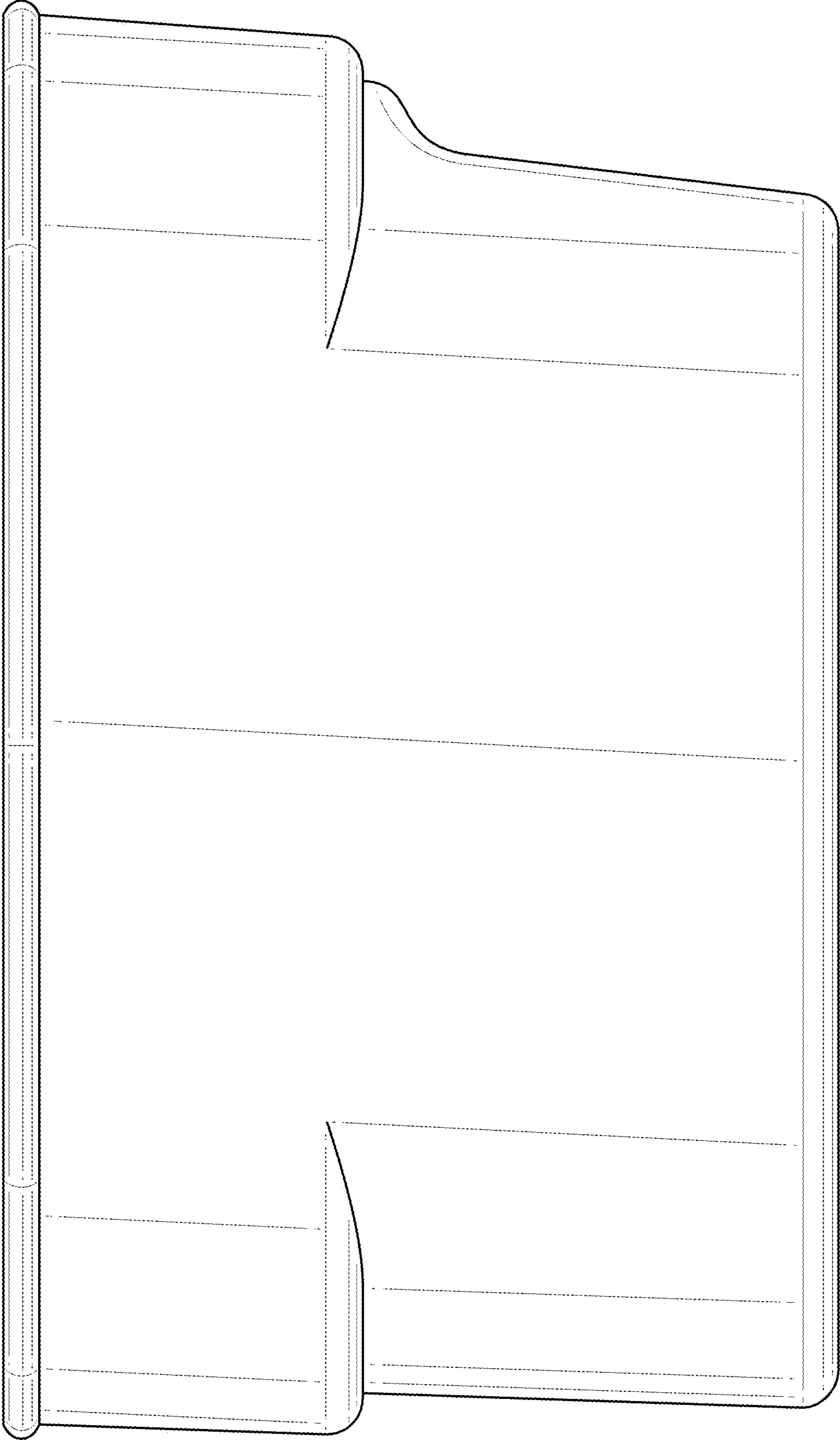


FIG. 5

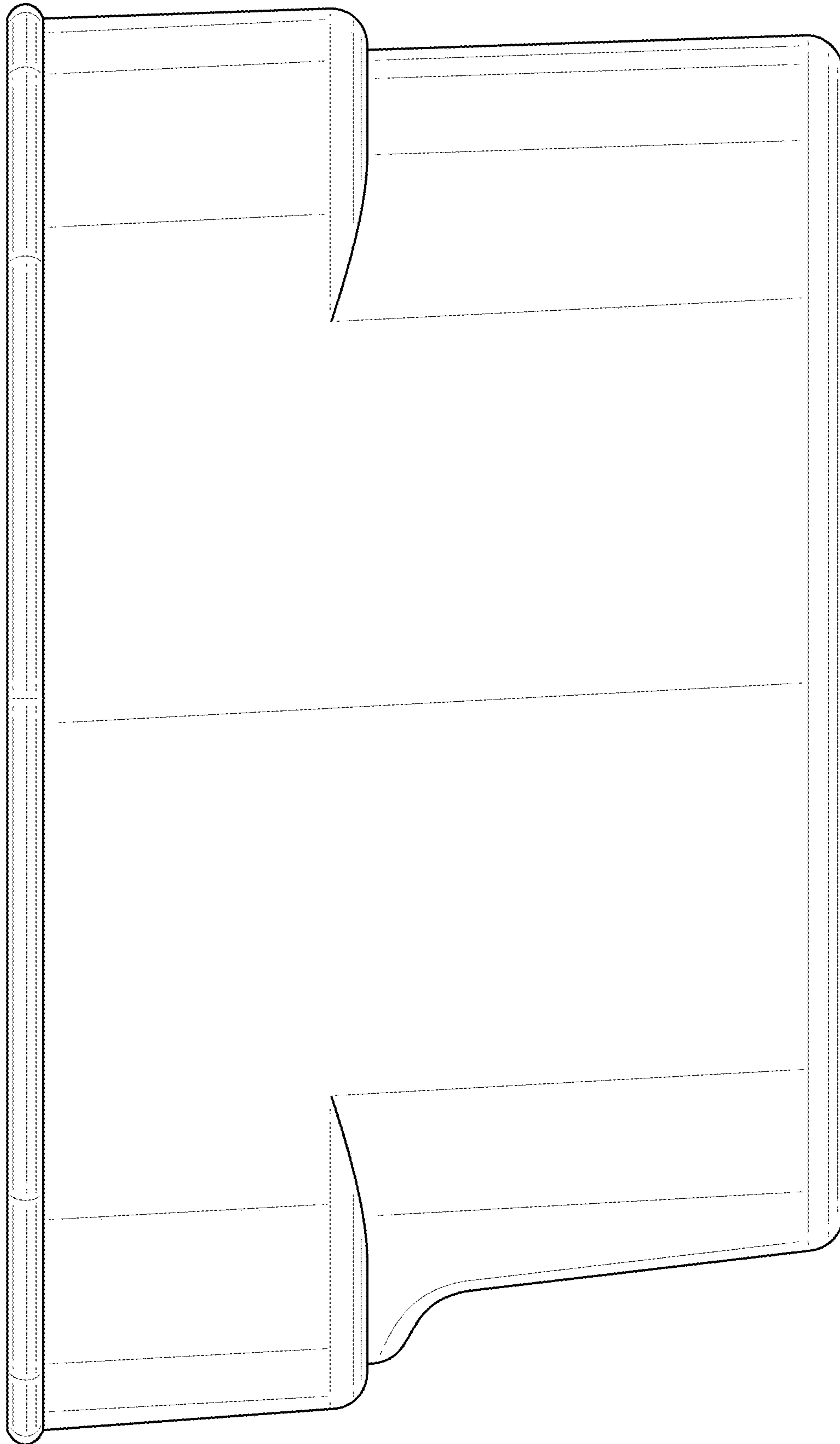


FIG. 6

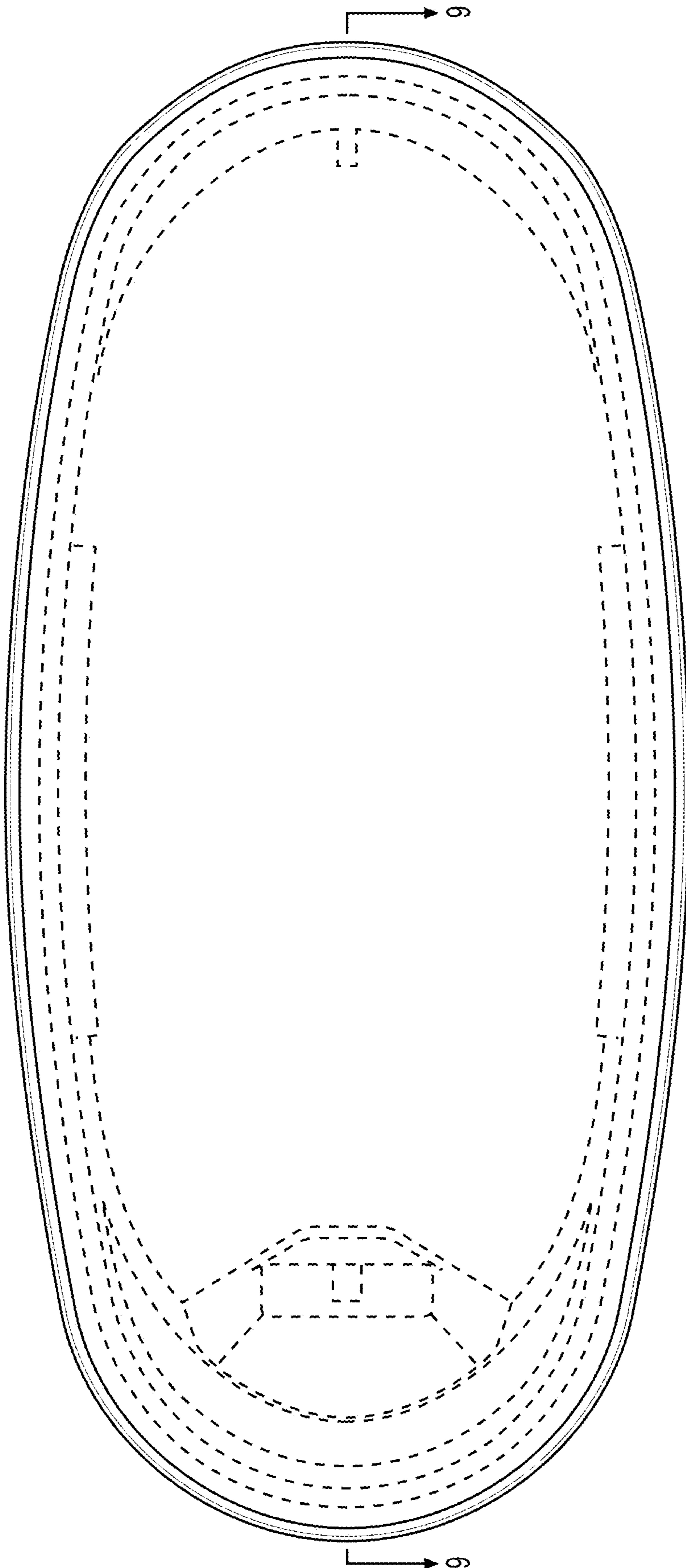


FIG. 7

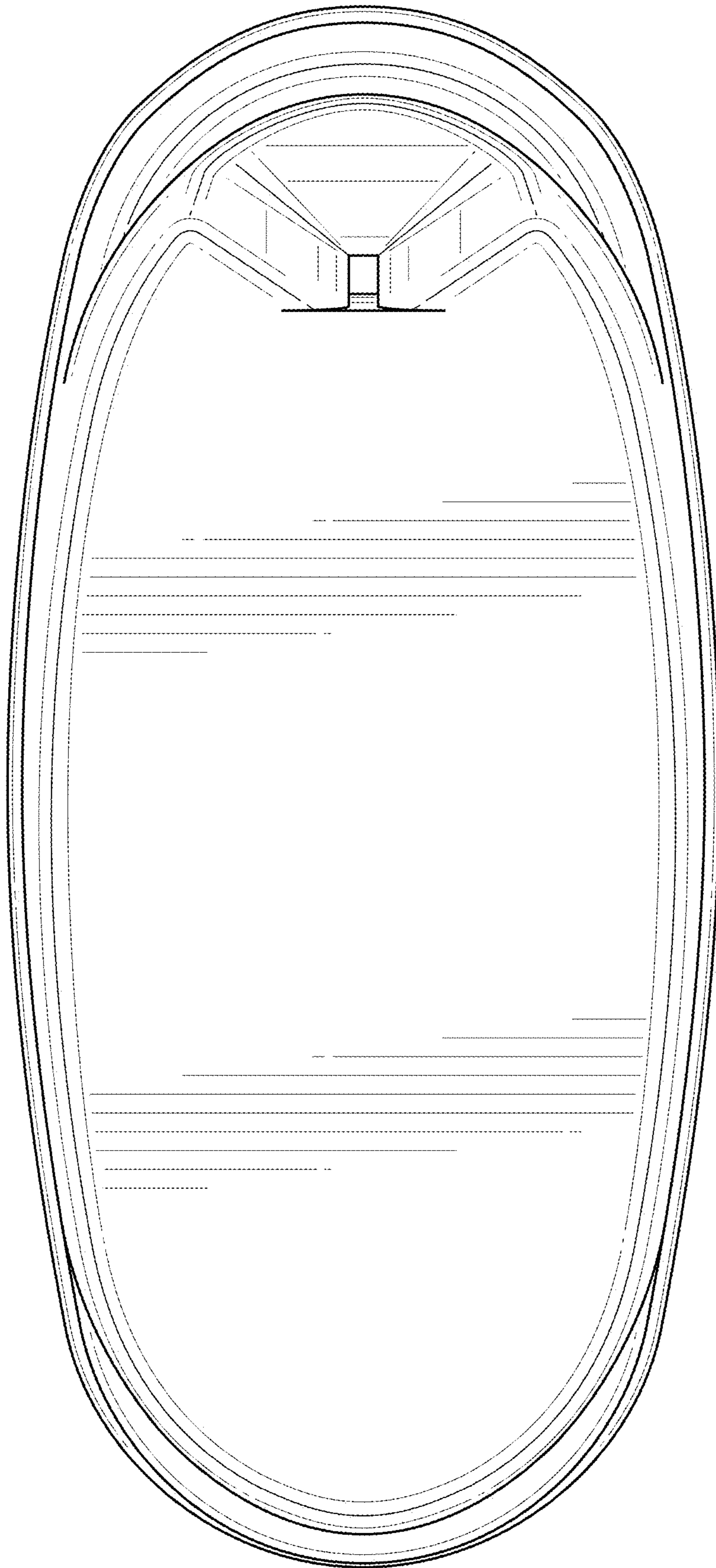


FIG. 8

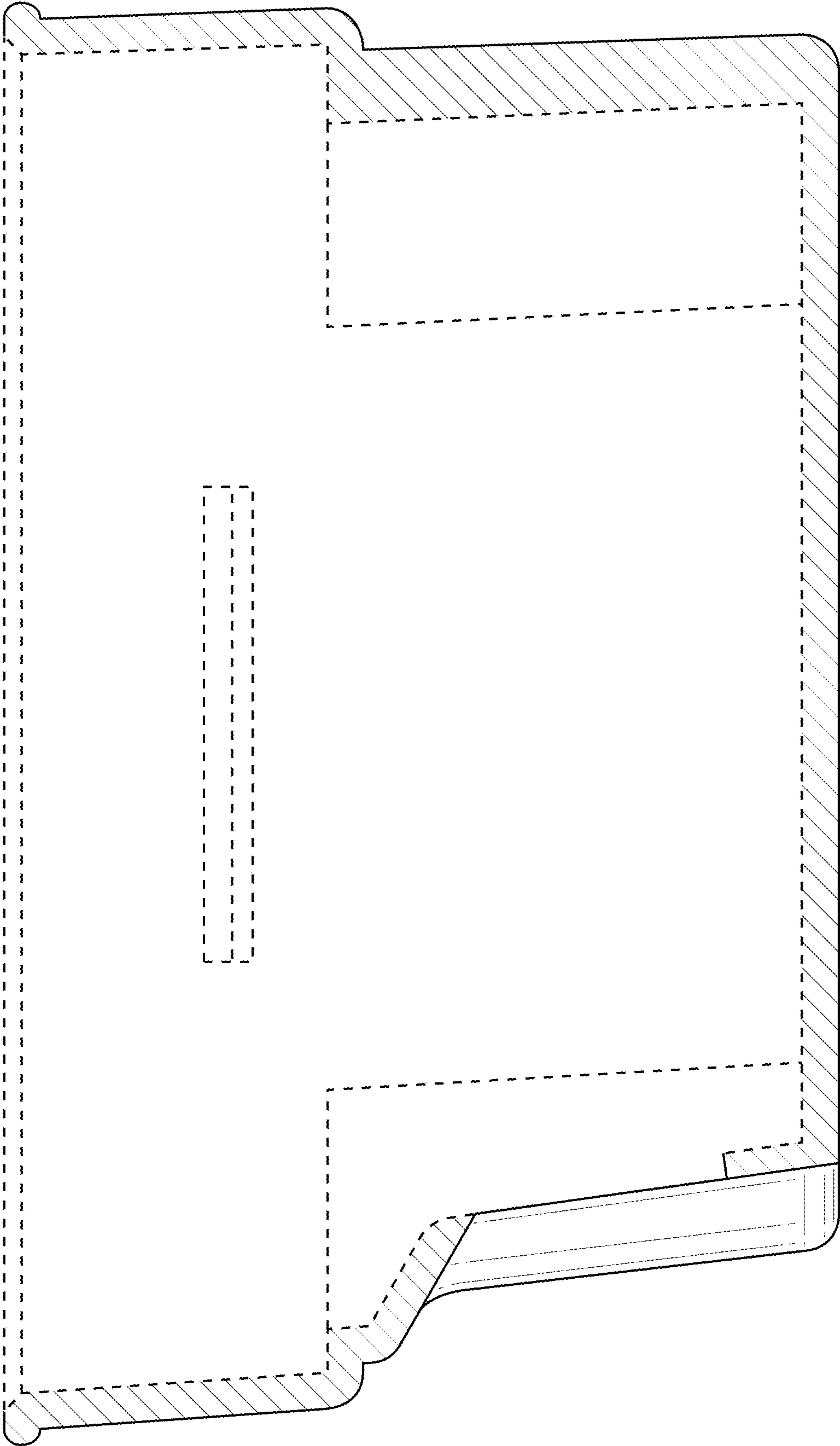


FIG. 9