



US00D919424S

(12) **United States Design Patent** (10) **Patent No.:** **US D919,424 S**  
**Abrol** (45) **Date of Patent:** **\*\* May 18, 2021**

(54) **CONTAINER**

FOREIGN PATENT DOCUMENTS

(71) Applicant: **Eco Guardian**, Newmarket (CA)

GB 2488173 A 8/2012

(72) Inventor: **Anil Abrol**, Newmarket (CA)

*Primary Examiner* — Janice Patyk

(73) Assignee: **Eco Guardian**, Newmarket (CA)

(74) *Attorney, Agent, or Firm* — Dickinson Wright LLP;  
Matthew D. Powell

(\*\*) Term: **15 Years**

(57) **CLAIM**

(21) Appl. No.: **29/680,823**

The ornamental design for a container, as shown and described.

(22) Filed: **Feb. 20, 2019**

**DESCRIPTION**

(51) **LOC (13) Cl.** ..... **09-03**

(52) **U.S. Cl.**

USPC ..... **D9/425**

(58) **Field of Classification Search**

USPC ..... D7/400, 601, 608; D9/416, 417, 420,  
D9/425-429, 430, 432, 761; 206/499,  
206/501, 502, 821; 220/625, 656, 669,  
220/670, 674; 229/123.1, 123.2, 125.33,  
229/125.35, 400-407, 915, 939

CPC . B65D 1/26; B65D 1/40; B65D 5/243; B65D  
81/3453; B65D 2581/34; B65D  
2581/3404; B65D 2581/3456

See application file for complete search history.

FIG. 1 is a perspective view of a container, showing my new design;

FIG. 2 is a top view thereof;

FIG. 3 is a bottom view thereof;

FIG. 4 is a front view thereof;

FIG. 5 is a side view thereof;

FIG. 6 is a rear view thereof;

FIG. 7 is an opposite side view thereof;

FIG. 8 is a partially enlarged view thereof, taken from FIG. 1;

FIG. 9 is a cross section view thereof, taken along line 9-9 of FIG. 8, shown in enlarged scale;

FIG. 10 is a partially enlarged view thereof, taken from FIG. 1; and,

FIG. 11 is a cross section view thereof, taken along line 11-11 of FIG. 10, shown in enlarged scale.

The broken lines in the figures illustrate the portions of the design that form no part of the claimed design.

The dot-dash broken lines of FIGS. 1, 8, and 10 are included to show partially enlarged views only and form no part of the claimed design.

The dot-dot-dash broken lines immediately adjacent to the claimed areas in FIGS. 1-8 and 10 represent the boundaries of the design and form no part thereof.

The container has been shown with symbolic breaks. The appearance of any portion of the article between the break lines forms no part of the claimed design.

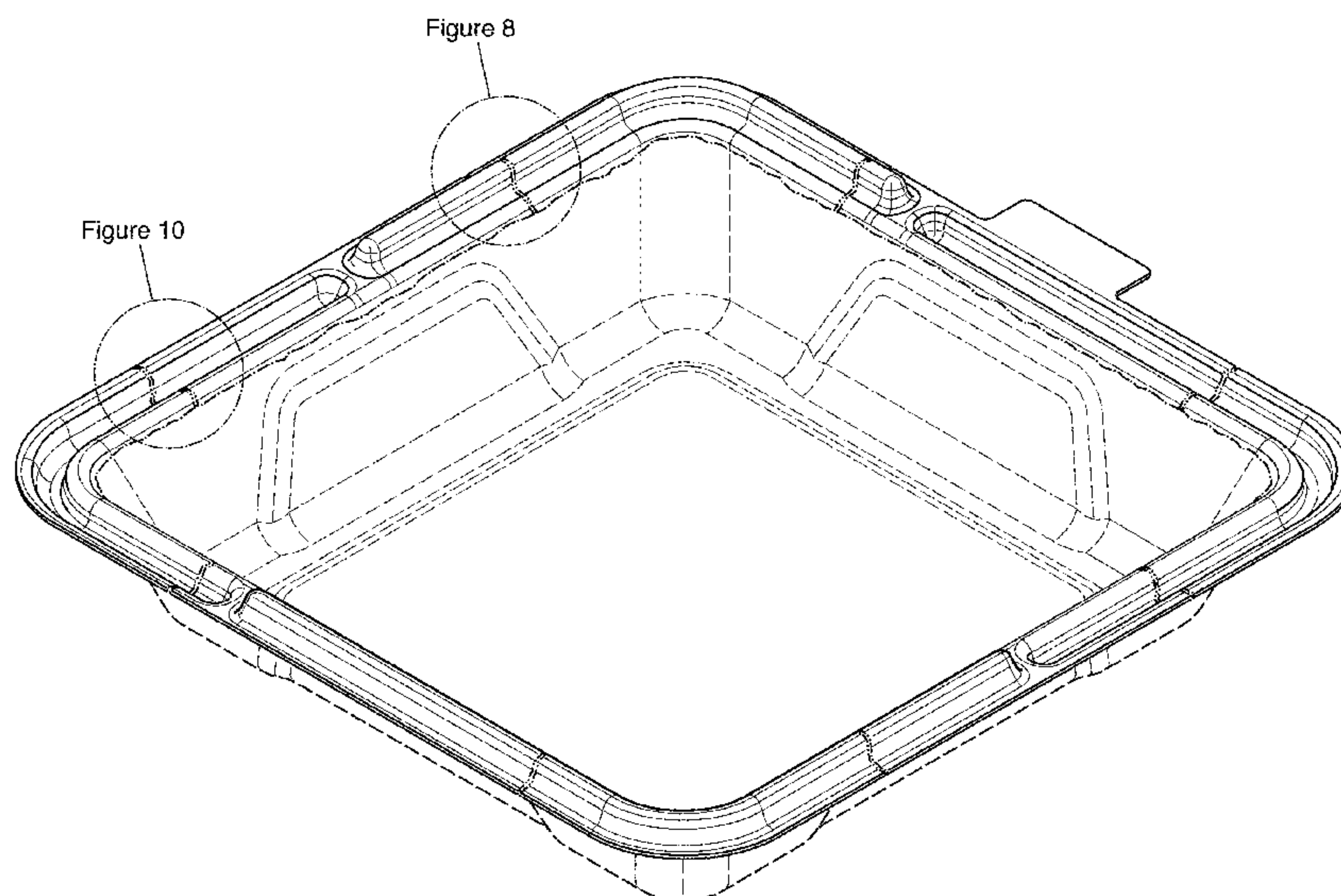
(56) **References Cited**

U.S. PATENT DOCUMENTS

3,767,110 A	10/1973	Congleton	
4,195,746 A *	4/1980	Cottrell	B65D 1/34 206/545
4,294,371 A *	10/1981	Davis	B65D 1/22 220/4.24
4,787,552 A	11/1988	Natori	
5,205,413 A	4/1993	Cautereels et al.	
D475,620 S *	6/2003	Chen	D9/425
6,672,473 B2 *	1/2004	Torniainen	B65D 1/34 220/657
6,923,338 B2 *	8/2005	Dees	B65D 11/188 220/4.24

(Continued)

**1 Claim, 6 Drawing Sheets**



(56)

**References Cited**

U.S. PATENT DOCUMENTS

D544,755 S \* 6/2007 Diesman ..... D7/602  
7,854,339 B2 \* 12/2010 Gartz ..... B65D 77/2024  
220/4.22  
8,387,821 B2 \* 3/2013 Yin ..... B65D 43/021  
220/780  
D681,450 S \* 5/2013 Wichmann ..... D9/432  
D688,941 S \* 9/2013 Sifuentes ..... D7/602  
8,561,823 B1 10/2013 Krupa  
D742,219 S \* 11/2015 Murphy ..... D9/426  
D793,817 S \* 8/2017 Chen ..... D7/602  
D834,821 S \* 12/2018 McKenna ..... D3/304  
2003/0155353 A1 8/2003 Tucker  
2006/0157483 A1 7/2006 Evans et al.  
2007/0227920 A1 10/2007 Hinkelmann  
2009/0057305 A1 3/2009 Moreau  
2009/0250473 A1 10/2009 Bois et al.  
2010/0276419 A1 \* 11/2010 Gartz ..... B65D 1/34  
220/4.23

\* cited by examiner

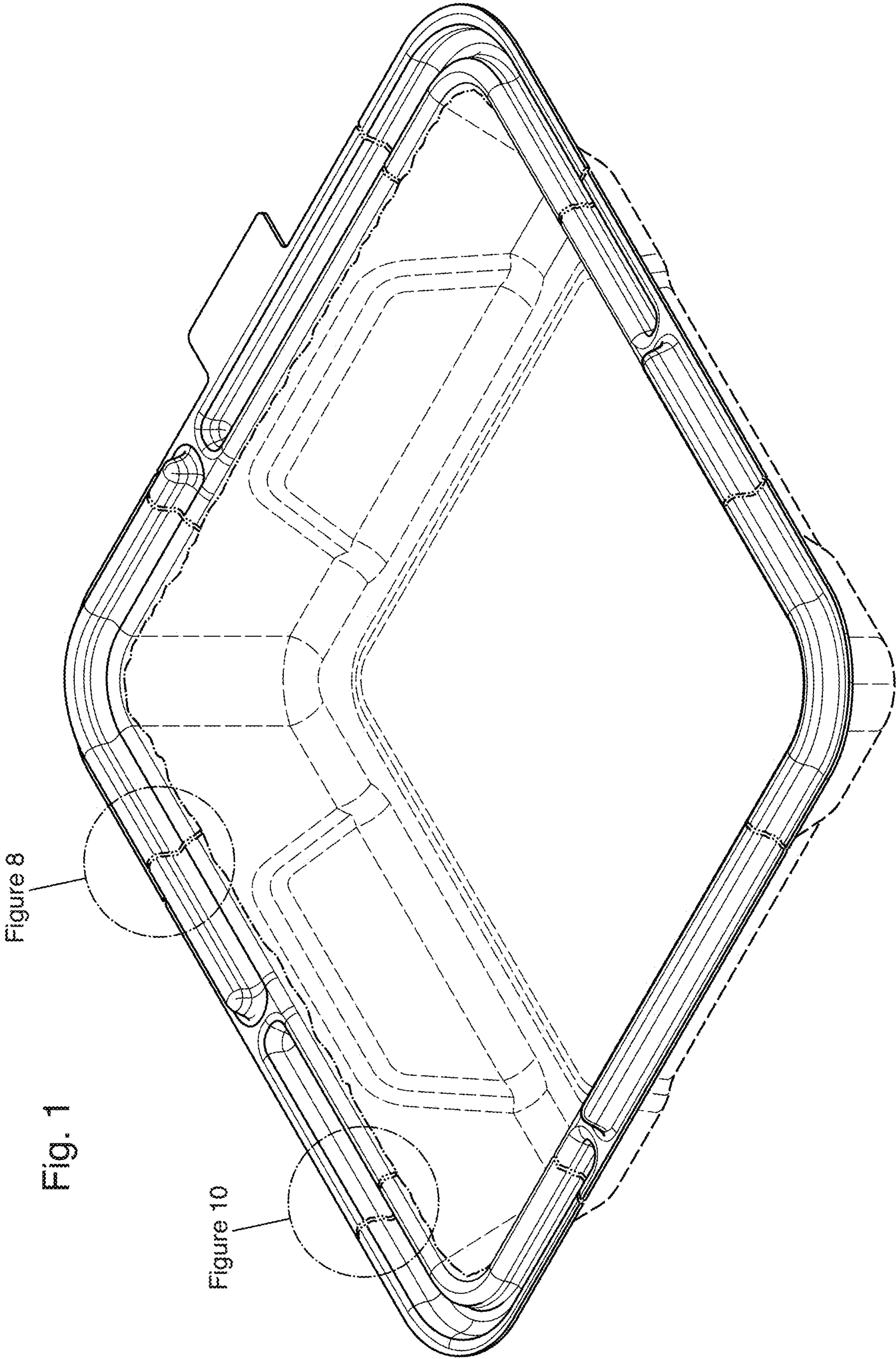




Fig. 2

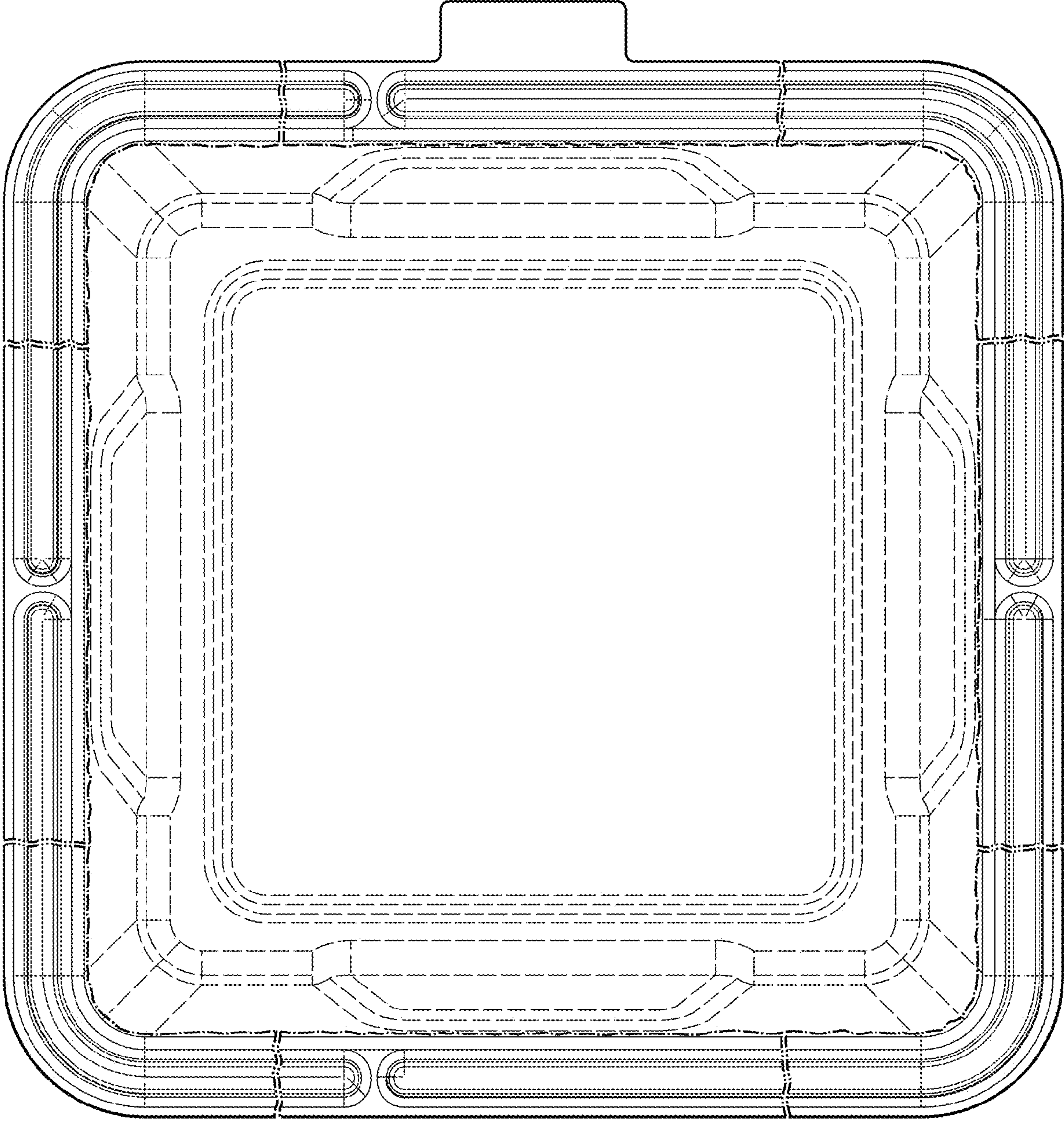


Fig. 3

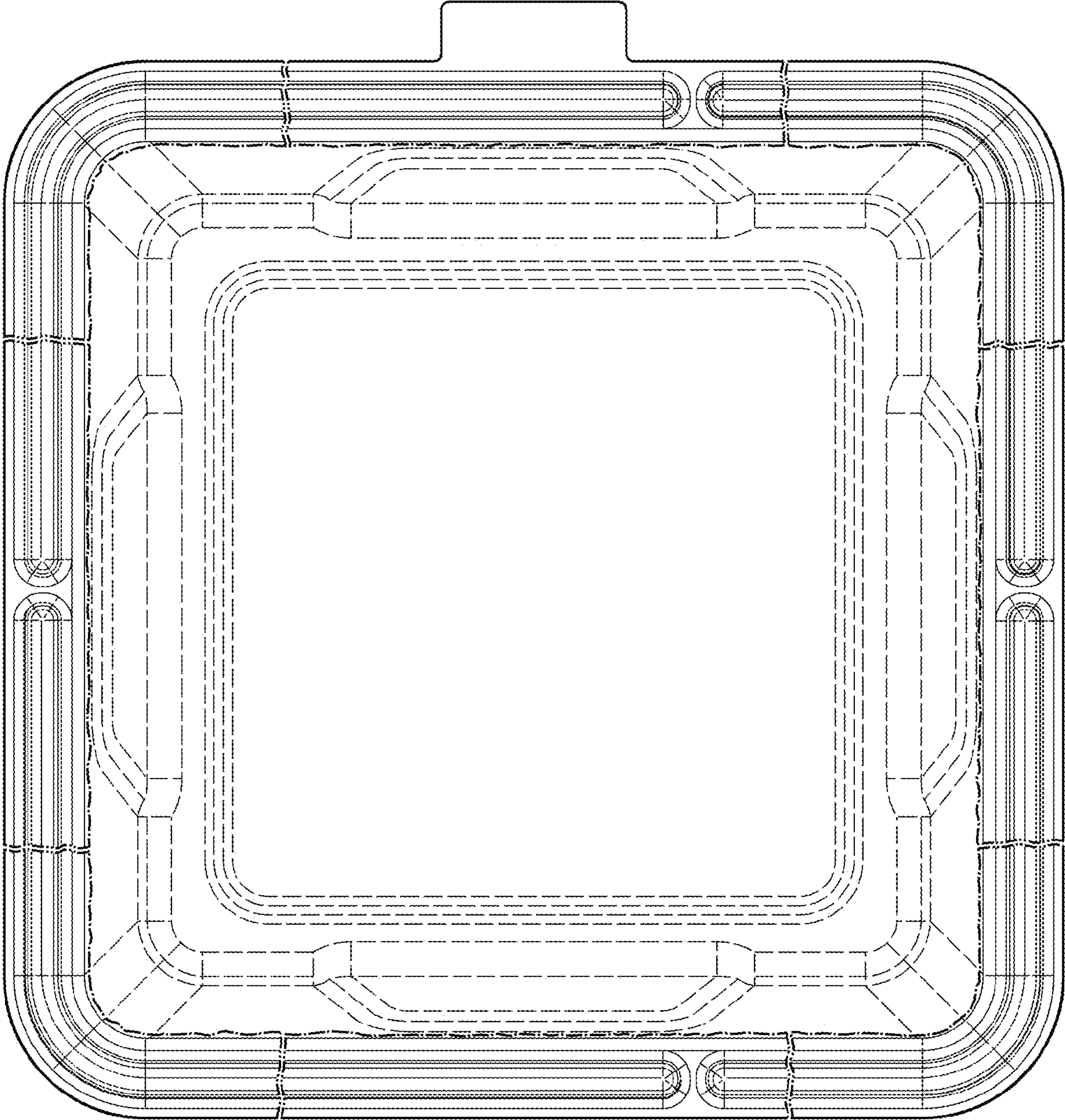


Fig. 4

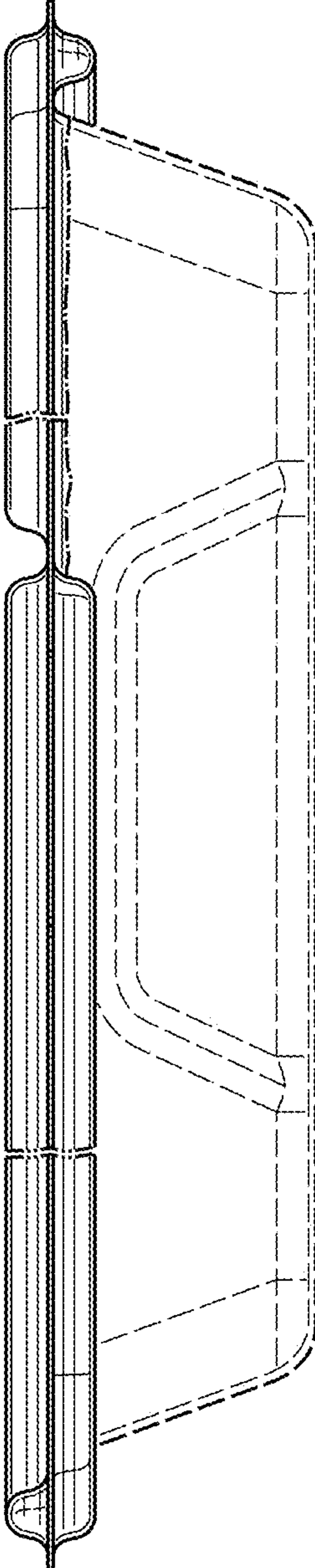


Fig. 5

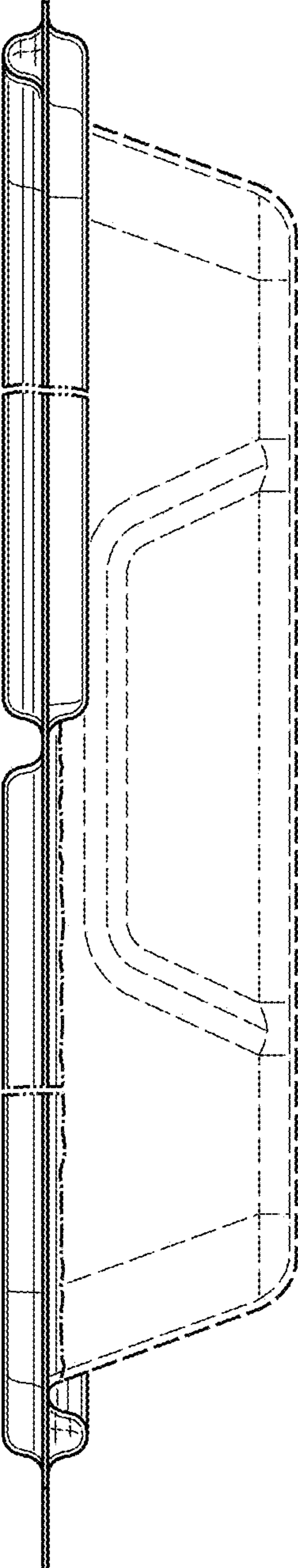




Fig. 6

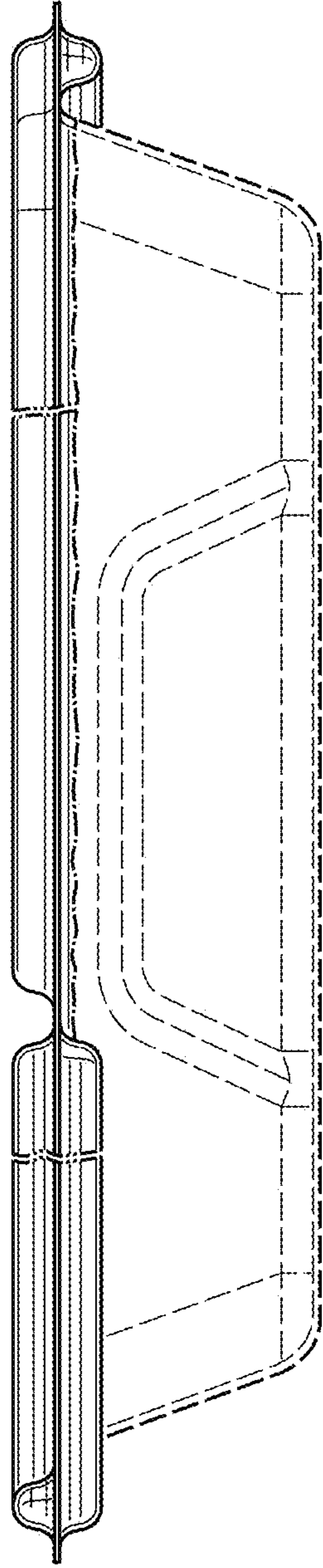


Fig. 7

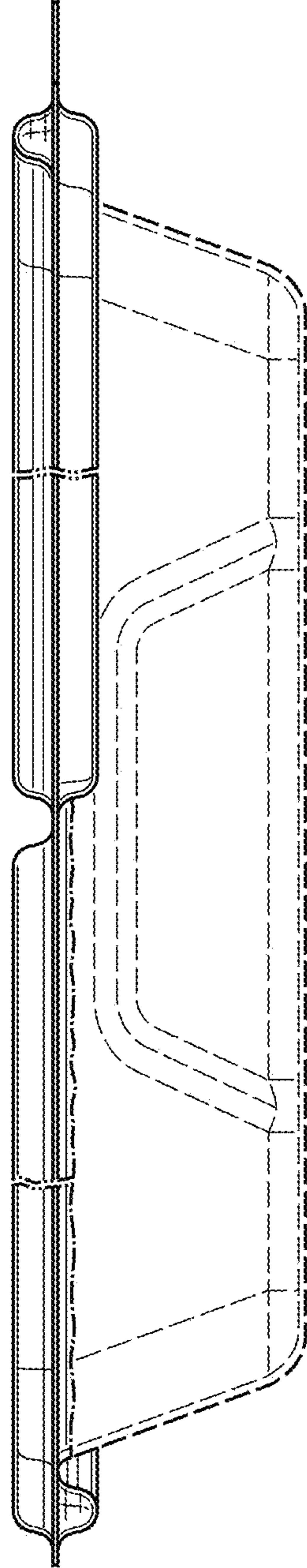


Fig. 10

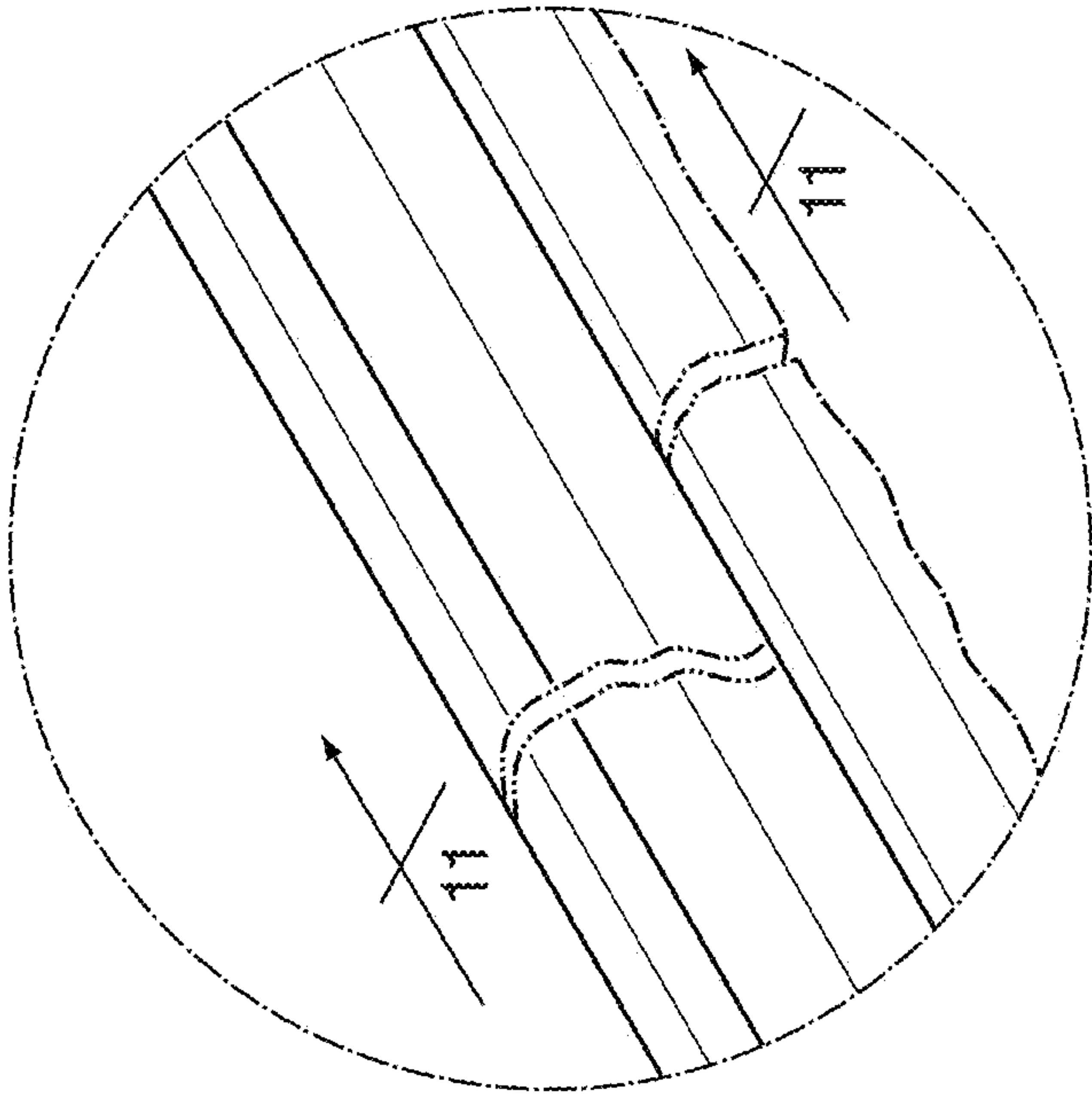


Fig. 8

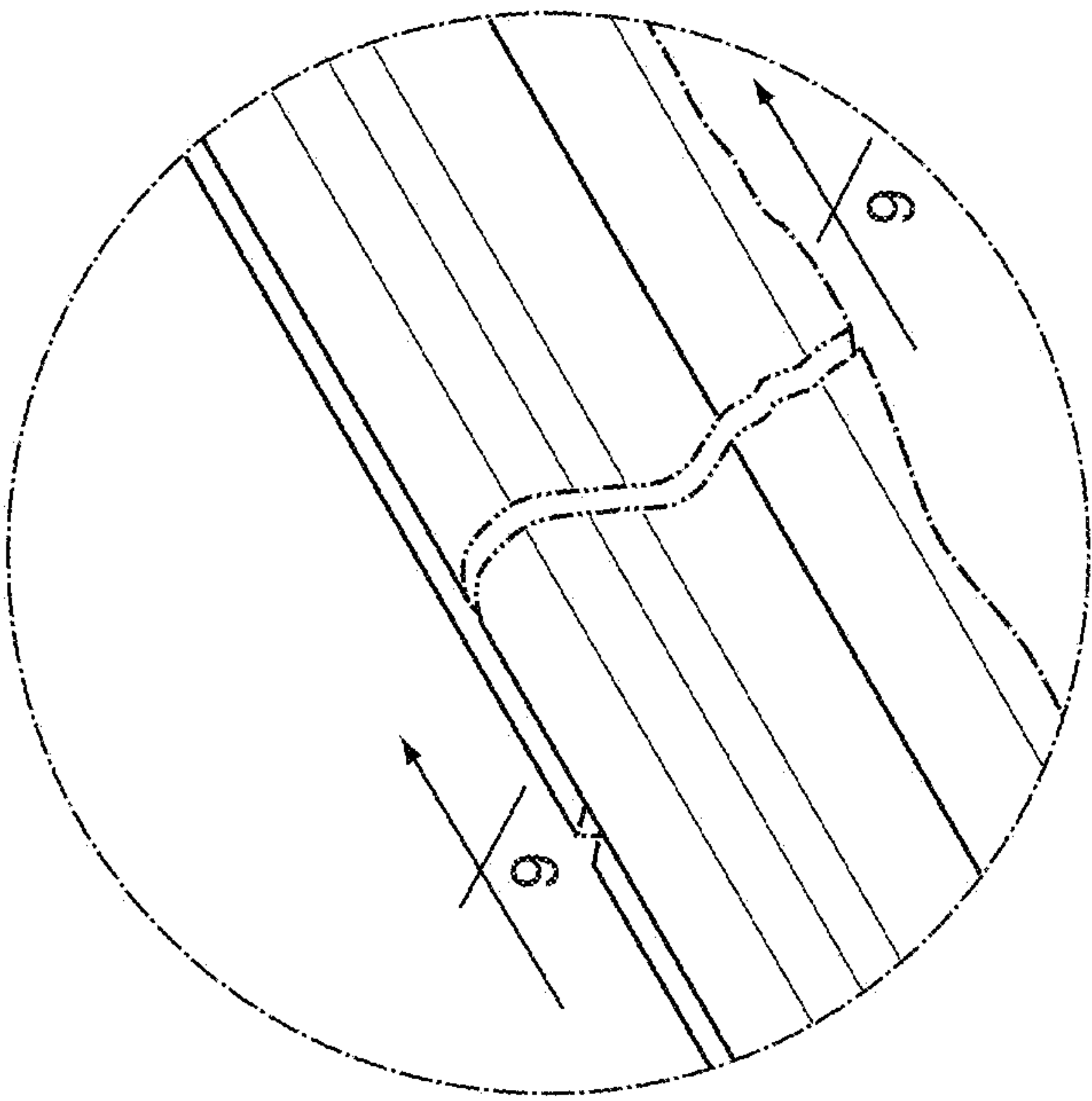


Fig. 11

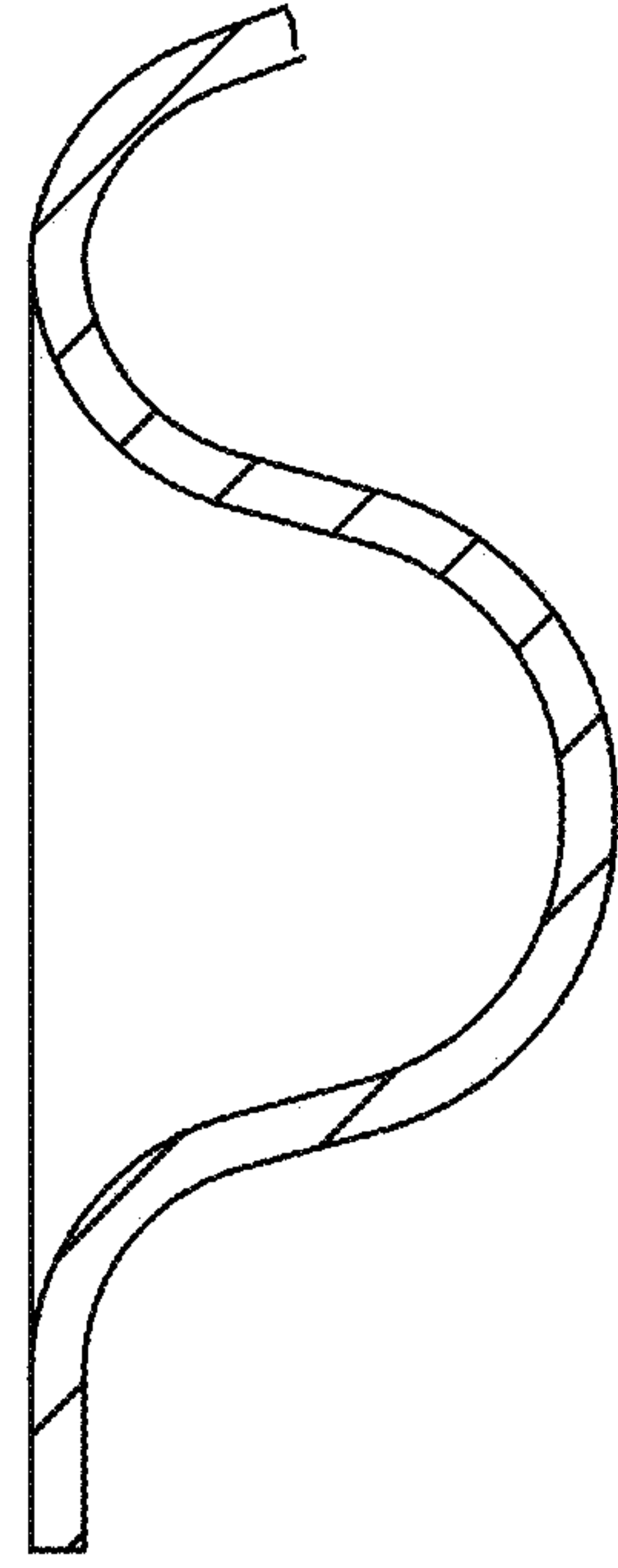


Fig. 9

